

Wisconsin Administrative Code

**DEPARTMENT OF INDUSTRY,
LABOR AND HUMAN RELATIONS**

Chapters ILHR 50 to 64

**BUILDING AND HEATING
VENTILATING AND AIR
CONDITIONING**

DEPARTMENT OF INDUSTRY, LABOR AND HUMAN RELATIONS

201 East Washington Avenue

Madison, Wisconsin 53702

608-266-3151

INTRODUCTION

Purpose and Structure

The Legislature, by s. 35.93 and ch. 227, Stats., directed the publication of the rules of executive agencies having rule-making authority in a loose-leaf, continual revision system known as the Wisconsin Administrative Code. The Code is kept current by means of new and replacement pages. The pages are issued monthly, together with notices of hearings, notices of proposed rules, emergency rules, instructions for insertion of new material, and other information relating to administrative rules. This service is called the Wisconsin Administrative Register, and comes to the subscriber near the middle and at the end of each month. Code pages are issued to subscribers only with the end of the month Register. The editing and publishing of the Register and Code is done by the Revisor of Statutes Bureau, Suite 800, 131 W. Wilson St., Madison, Wisconsin, 53703. (608-266-7275).

Availability

The complete code and the upkeep service are distributed to the county law libraries; to the libraries of the University of Wisconsin Law School and Marquette University Law School; to the State Historical Society; to the Legislative Reference Bureau and to the State Law Library, and to certain designated public libraries throughout the state.

The sale and distribution of the Register, Code and of its parts is handled by Department of Administration, Document Sales, P.O. Box 7840, Madison, Wisconsin 53707. (608-266-3358 information) (1-800-362-7253 or 608 264-9419 charge card orders).

Table of Contents

Each code with more than one chapter will have a table of chapters. After the title of each chapter will be the page numbers on which the chapter begins. Each chapter will have a table of sections.

History Notes

Each page of the code as it was originally filed and printed pursuant to the 1955 legislation, had a date line "1-2-56". A rule which is revised or created subsequent to the original printing date is followed by a history note indicating the date and number of the Register in which it was published and the date on which the revision or creation of the rule became effective. Additions to a section's history note will be shown in **bold face** when those affected code sections are first released. The absence of a history note at the end of a section indicates that the rule has remained unchanged since the original printing in 1956. The date line at the bottom of the page indicates the month in which the page was released, but does not necessarily mean a substantive change has occurred on that page. Some common abbreviations used in the history notes are: cr. - created, am. - amend, r. - repeal, recr. - recreate, renum. - renumber, eff. - effective and emerg. - emergency.

In some instances an *entire* chapter has been repealed and recreated or renumbered subsequent to the original printing date. When this occurs a note has been placed at the beginning of the chapter after the table of sections to contain this information. A separate history note appears after each section indicating the date when the revision or creation became effective.

Index

The index for the complete Wisconsin Administrative Code will be found in the last volume of the complete set. It will be recompiled, reprinted and distributed at least 3 times a year. Some codes have a separate index prepared by the agency involved. See the Uniform Dwelling Code (chs. ILHR 20-25) and the Building and Heating Code (chs. ILHR 50-64) as examples.

TABLE OF CONTENTS

<i>Chapter</i>		
ILHR	50	Administration and enforcement (p. 1)
ILHR	51	Definitions and standards (p. 13)
ILHR	52	General requirements (p. 61)
ILHR	53	Structural requirements (p. 83)
ILHR	54	Factories, office and mercantile buildings (p. 107)
ILHR	55	Theaters and assembly halls (p. 117)
ILHR	56	Schools and other places of instruction (p. 127)
ILHR	57	Residential occupancies (p. 139)
ILHR	58	Health care, detention and correctional facilities (p.151)
ILHR	59	Hazardous occupancies (p. 167)
ILHR	60	Child day care facilities (p. 173)
ILHR	61	Community-based residential facilities (CBRF) and sheltered facilities for battered women (p. 177)
ILHR	62	Specialty occupancies (p. 183)
ILHR	63	Energy conservation (p. 197)
ILHR	64	Heating, ventilating and air conditioning (p. 207)
		Appendix A
		Appendix B
		Appendix C
		Index

Chapter ILHR 50

ADMINISTRATION AND ENFORCEMENT

Subchapter I — Purpose and Scope

- ILHR 50.01 Purpose of code
ILHR 50.02 Scope

Subchapter II — Application of Building Code

- ILHR 50.03 Application
ILHR 50.04 Buildings exempt from code requirements
ILHR 50.05 Existing buildings code
ILHR 50.06 Local regulations

Subchapter III — Design and Supervision

- ILHR 50.07 Design
ILHR 50.08 Plans, specifications and calculations prepared outside Wisconsin
ILHR 50.10 Supervision
ILHR 50.11 Owner's responsibility
ILHR 50.115 Notice of intent

Subchapter IV — Department Approval

- ILHR 50.12 Plan examination and approval
ILHR 50.13 Footing and foundation approval

- ILHR 50.14 Permission to start construction
ILHR 50.15 Evidence of plan approval
ILHR 50.155 Sprinkler documents
ILHR 50.16 Revocation of approval
ILHR 50.17 Expiration of plan approval and extension of plan approval
ILHR 50.176 Department limitation
ILHR 50.18 Inspections
ILHR 50.19 Building material approvals
ILHR 50.20 Fees

Subchapter V — First Class City and Certified Municipal Approvals

- ILHR 50.21 Certified municipalities and counties

Subchapter VI — Enforcement, Petition for Variance, Appeals and Penalties

- ILHR 50.23 Enforcement
ILHR 50.24 Appeals
ILHR 50.25 Petition for variance
ILHR 50.26 Penalties

Note: Chapter Ind 50 as it existed on December 31, 1976, was repealed and a new chapter Ind 50 was created effective January 1, 1977; chapter Ind 50 was renumbered to be chapter ILHR 50, effective January 1, 1984.

Subchapter I — Purpose and Scope

ILHR 50.01 Purpose of code. The purpose of this code is to protect the health, safety and welfare of the public and employees by establishing minimum standards for the design, construction, structural strength, quality of materials, adequate egress facilities, sanitary facilities, natural lighting, heating and ventilating, energy conservation, and fire safety for all public buildings and places of employment.

Note: The purpose as stated can be traced to the terms used in the "safe place" statutes, ch. 101, Stats.

Note: This code is intended for the protection of the public and is not intended as a design manual, a textbook or a construction manual.

Note: The code cannot address every conceivable design option; points of code application and clarification will be addressed and issued from time to time and will be published in the Wisconsin Building Codes Report available from the Safety and Buildings Division, P. O. Box 7969, Madison, Wisconsin 53707.

History: Cr. Register, December, 1976, No. 252, eff. 1-1-77.

ILHR 50.02 Scope. The provisions of chs. ILHR 50-64 apply to all public buildings and places of employment, except those indicated in s. ILHR 50.04. The provisions of these chapters are not retroactive unless specifically stated in the administrative rule. Where different sections of these chapters specify different requirements, the most restrictive requirement shall govern, except as specified in ss. ILHR 51.02 (1) (b) 4., 52.012, 52.013, 58.001 (2) (c), 62.93 and 64.57 (4). No part of this code is intended to prohibit or discourage the design and construction of innovative buildings or the use of new materials or systems provided written approval from the department is obtained. Under this section, written approval from the de-

partment shall include, but is not limited to, an acceptance through preliminary design consultation, plan review, petition for variance, official code interpretation, material approval or other written forms of communication.

Note: For a definition of "public building" and "place of employment," see ss. ILHR 51.01 (102b) and 51.01 (104a) or s. 101.01 (2), Stats.

Note: Other state agencies and local municipalities may have adopted building or construction requirements that are either more restrictive or address other issues than those specified in this code.

Note: The overall enforcement responsibility for this code is equally shared by the building inspector and the fire inspector. Normally, the building inspector has primary responsibility during construction of the building, while the fire inspector has primary responsibility after the building is completed. The enforcement of many of the provisions of the code is the primary responsibility of the fire inspector, and compliance with these provisions should be of primary concern while conducting the fire prevention inspections mandated by s. 101.14, Stats. See Appendix B for a listing of the code sections for which the fire inspector has the primary enforcement responsibility.

History: Cr. Register, December, 1976, No. 252, eff. 1-1-77; am. Register, December, 1981, No. 312, eff. 1-1-82; am. Register, October, 1982, No. 322, eff. 11-1-82; am. Register, December, 1983, No. 336, eff. 1-1-84; am. Register, August, 1985, No. 356, eff. 1-1-86; emerg. am. eff. 9-6-86; am. Register, November, 1986, No. 371, eff. 12-1-86; am. Register, March, 1991, No. 423, eff. 4-1-91; am., Register, March, 1995, No. 471, eff. 4-1-95.

Subchapter II — Application of Building Code

ILHR 50.03 Application. (1) NEW BUILDINGS AND ADDITIONS. The provisions of this code shall apply to all new buildings and structures, and also to additions to existing buildings and structures, except those indicated in s. ILHR 50.04.

(2) ALTERATIONS TO BUILDINGS. The provisions of this code shall apply to all remodeling or alterations in any building or structure which affect the structural strength, fire hazard, exits, required natural lighting or replacement of major equipment. These provisions do not apply to

ILHR 50.03

minor repairs necessary for the maintenance of any building or structure nor to buildings exempt, as listed in s. ILHR 50.04.

(3) **CHANGE OF USE.** (a) If the use of an existing building or structure is changed in accordance with the definition of s. ILHR 51.01 (87), and the requirements for the new use are more stringent than those for the previous use, the building or structure shall be made to comply with the requirements for the new use as provided in this code.

1. **Exception.** Unless the requirements for the new use are modified subject to the written approval by the department.

2. **Exception.** An existing building undergoing a change of use shall comply with the accessibility requirements specified in s. ILHR 69.03 (3).

(b) If, upon inspection of an existing building or structure, it is found that its use has changed and that it does not comply with the requirements of the building code in effect at the time of change, it shall be made to comply with the code requirements in effect at the time of change in use.

(4) **REST ROOM PARITY.** Rest room parity applies to any facility where the public congregates which has a general capacity or seating capacity of 500 or more persons and meets the following conditions:

(a) A new structural facility;

(b) A new facility without a permanent structure;

(c) An existing structural facility with alterations that affect 50% or more of the square footage of the facility;

(d) An existing structural facility in which an addition has a square footage equal to or greater than 51% of the square footage of the existing structure; and

(e) An existing facility with no permanent structure with an addition of land to the facility equal to or greater than 51% of the existing facility acreage.

Note: The percentage requirements established in this subsection shall apply to the accumulative sum of any remodeling or additions, or both undertaken after March 1, 1994. The addition of land applies only to that portion of added land which is specified as the expansion of the facility or event on that parcel and may not mean the total added land area to an existing facility or event.

History: Cr. Register, December, 1976, No. 252, eff. 1-1-77; am. (2), Register, August, 1985, No. 356 eff. 1-1-86; cr. (4), Register, August, 1993, No. 452, eff. 3-1-94; r. and recr. (3) (a) 2., Register, November, 1994, No. 467, eff. 12-1-94.

ILHR 50.04 Buildings exempt from code requirements. This code does not apply to the following types of buildings:

(1) One- and 2-family dwellings and outbuildings in connection therewith such as barns and private garages.

(2) Buildings used exclusively for farming purposes.

Note: For a definition of "farming," see s. 102.04 (3), Stats.

(3) Buildings used primarily for housing livestock or for other agricultural purposes, located on research or laboratory farms of public universities or other state institutions.

Register, August, 1995, No. 476

(4) Temporary buildings, used exclusively for construction purposes, not exceeding 2 stories in height, and not used as living quarters.

(5) Buildings located on Indian reservation land held in trust by the United States.

(6) Buildings owned by the federal government. Buildings owned by other than the federal government and leased to the federal government are not exempt.

(7) Bed and breakfast establishments as defined in s. ILHR 51.01 (11a).

(8) Community-based residential facilities located in existing buildings and providing care, treatment and services to 3 to 8 unrelated adults.

(9) An adult family home certified under s. 50.032 (1) (b), Stats.

(10) A one- or 2-family dwelling in which a home occupation is located.

(11) Multifamily dwellings within the scope of ch. ILHR 66, except as provided in s. ILHR 66.60.

History: Cr. Register, December, 1976, No. 252, eff. 1-1-77; am. (2) and cr. (5), Register, December, 1977, No. 264, eff. 1-1-78; cr. (6) to (8), Register, August, 1985, No. 356 eff. 1-1-86; cr. (9) and (10), Register, March, 1991, No. 423, eff. 4-1-91; cr. (11), Register, March, 1995, No. 471, eff. 4-1-95.

ILHR 50.05 Existing buildings code. Buildings and structures erected prior to the effective date of the first building code (October 9, 1914) shall comply with the general orders on existing buildings, chs. Ind 160-164, issued by the department. Buildings and structures constructed after October 9, 1914, shall comply with the code in effect at the time.

History: Cr. Register, December, 1976, No. 252, eff. 1-1-77.

ILHR 50.06 Local regulations. (1) AUTHORITY. This code shall not limit the power of cities, villages and towns to make, or enforce, additional or more stringent regulations, provided the regulations do not conflict with this code, or with any other rule of the department, or law.

(2) **EXCEPTION.** Pursuant to s. 101.75 (2), Stats., all manufactured multi-family dwellings approved by the department shall be deemed to comply with the requirements of all building ordinances and regulations of any local government except those related to zoning and siting requirements including, but not limited to, building setback, side and rear yard requirements and property line requirements.

Note: This exception applies only to those building elements and building parts covered under the provisions of s. ILHR 50.125 Wisconsin insignia. The exception does not apply to on-site constructed elements such as, but not limited to, footings, foundations, attached porches, steps, concrete floor slabs and on-site constructed mechanical systems.

History: Cr. Register, December, 1976, No. 252, eff. 1-1-77; cr. (1), Register, May, 1980, No. 293, eff. 6-1-80.

Subchapter III — Design and Supervision

ILHR 50.07 Design. Every new building, or alteration to a building, shall be designed in compliance with this code.

(1) **BUILDINGS CONTAINING NOT MORE THAN 50,000 CUBIC FEET TOTAL VOLUME.** The plans and specifications for

every new building, or alteration to a building, containing not more than 50,000 cubic feet total volume, or addition to a building in which the volume of the addition results in the entire building containing not more than 50,000 cubic feet total volume, may be prepared by a registered architect, engineer, designer, contractor or an authorized agent.

(2) **BUILDINGS CONTAINING MORE THAN 50,000 CUBIC FEET TOTAL VOLUME.** The plans and specifications for every new building, or alteration to a building, containing more than 50,000 cubic feet total volume, or addition to a building in which the volume of the addition results in the entire building containing more than 50,000 cubic feet total volume, shall be designed as follows:

(a) *Building or structural design.* The plans and specifications for the design of the building or structure shall be prepared, signed and sealed by a Wisconsin registered architect or engineer.

(b) *Heating, ventilating and air conditioning design.* The plans and specifications for the heating, ventilating and air conditioning system shall be prepared, signed and sealed by a Wisconsin registered architect, engineer or designer.

(c) *Energy conservation design.* The plans and specifications for energy conservation design shall be prepared, signed and sealed by a Wisconsin registered architect, engineer or designer.

Note: See s. ILHR 51.01 (139a) for definition of total volume.

Note: The above terms "registered architect, engineer or designer" mean registered architect, registered professional engineer or designer as defined by laws regulating the practice of engineering and architecture found in ch. 443, Stats. Designers are limited to the specific limitations outlined in s. A-E 5.06. See s. A-E 2.02 for rules pertaining to signing, sealing and dating of plans prepared by a registered architect, engineer or designer.

Note: According to s. 87.30, Stats., the construction or placement of every building, structure, fill or development placed or maintained within any flood plain is required to satisfy local or state regulations.

(3) **ANTENNAS AND SUPPORTING TOWERS EXCEEDING 200 FEET IN HEIGHT.** The plans and specifications for antennas and supporting towers exceeding 200 feet in height shall be prepared, signed and sealed by a Wisconsin registered architect or engineer.

History: Cr. Register, December, 1976, No. 252, eff. 1-1-77; am. (2) (a) and (b), cr. (2) (c), Register, December, 1978, No. 276, eff. 1-1-79; am. (1), Register, December, 1981, No. 312, eff. 1-1-82; cr. (3), Register, December, 1983, No. 336, eff. 1-1-84; am. (2) (c), Register, December, 1985, No. 360, eff. 1-1-86.

ILHR 50.08 Plans, specifications and calculations prepared outside Wisconsin. Plans, specifications and calculations for buildings and structures under s. ILHR 50.07 (2) and (3), may be prepared by an architect or engineer registered outside of the state of Wisconsin, provided the following conditions are satisfied:

(1) **REGISTRATION.** The state agency or entity which registers the architect or engineer shall be an agency or entity recognized by the department of regulation and licensing as having equivalent standards for registration.

(2) **SEAL.** The plans, specifications and calculations shall bear the signature and seal or stamp of a registered architect or registered engineer.

(3) **CERTIFICATE.** A certificate, dated, signed and sealed by an architect or engineer registered in Wisconsin, shall be attached to the plans, specifications and calculations. The certificate shall indicate that the plans, specifications and calculations were prepared in a state other than Wisconsin by an architect or professional engineer registered in that state; describe the work performed by the Wisconsin registered architect or engineer; and include statements to the effect that the plans and specifications have been reviewed and comply with all applicable local and state buildings codes, and that the reviewing architect or engineer will be responsible for the supervision of construction in accordance with the requirements of s. ILHR 50.10.

History: Cr. Register, December, 1976, No. 252, eff. 1-1-77; am. (intro.), Register, December, 1983, No. 336, eff. 1-1-84; renum. (1) and (2) to be (2) and (3) and am. (2), cr. (1), Register, March, 1991, No. 423, eff. 4-1-91.

ILHR 50.10 Supervision. All constructions or installations under s. ILHR 50.07 (2) and (3) shall be supervised by a Wisconsin registered architect or engineer, except that a Wisconsin registered designer may supervise the installation of heating, ventilating and air conditioning systems and illumination systems. The person responsible for supervision shall also be responsible for the construction and installation being in substantial compliance with the approved plans and specifications. Should the supervising architect, engineer, designer, or the department, be confronted with a nonconformance to the code during, or at the end of, construction, said parties, together with the designing architect, engineer or designer shall effect compliance or shall notify the department of the noncompliance.

(1) **DEFINITION.** Supervision of construction is a professional service, as distinguished from superintending of construction by a contractor, and means the performance, or the supervision thereof, of reasonable on-the-site observations to determine that the construction is in substantial compliance with the approved plans and specifications.

(2) **NAME OF SUPERVISING ARCHITECT, ENGINEER OR DESIGNER.** Prior to the start of construction, the owner of the building or structure, whose name must be a part of, or accompany, all plans submitted for approval, as required by s. ILHR 50.12 or an authorized agent, shall designate to the department, in writing, the name and Wisconsin registration number of the architect, engineer or designer retained to supervise construction of the building or structure.

(3) **COMPLIANCE STATEMENT.** Prior to initial occupancy of a new building or addition, and prior to final occupancy of an alteration of an existing building, the supervising architect, engineer or designer shall file a written statement with the department certifying that, to the best of his or her knowledge and belief, construction of the portion to be occupied has been performed in substantial compliance with the approved plans and specifications. This statement shall be provided on a form prescribed by the department.

Note: See Appendix A for an example of the compliance statement form (SBD-4927).

History: Cr. Register, December, 1976, No. 252, eff. 1-1-77; am. (intro.) and (2), Register, December, 1981, No. 312, eff. 1-1-82; am. (intro.), Register,

ILHR 50.10

ter, December, 1983, No. 336, eff. 1-1-84; am. (2) and (3), Register, January, 1994, No. 457, eff. 2-1-94.

ILHR 50.11 Owner's responsibility. No owner may construct or alter any building or structure, or portion of a building or structure, or permit any building or structure to be constructed or altered except in compliance with the provisions of chs. ILHR 50 to 64. Compliance with the provisions of this section does not relieve the owner from compliance with the administrative rules established in other related codes.

Note: For definition of owner, refer to s. 101.01 (2) (e), Stats.

Note: Section ILHR 50.07 specifies which plans and specifications must be prepared by a registered architect, engineer or designer. Section ILHR 50.10 specifies which construction must be supervised by a registered architect, engineer or designer. Section ILHR 50.10 (2) specifies the owner's responsibilities in informing the department of the construction supervisor. Section ILHR 50.10 (3) specifies the requirements for filing completion statements prior to occupancy. Section ILHR 50.12 specifies the requirements for plan submittal and approval. Section ILHR 50.12 (5) requires submittal of a plan approval application form, and that form must be signed by the owner.

History: Cr. Register, December, 1976, No. 252, eff. 1-1-77; am. Register, January, 1994, No. 457, eff. 2-1-94.

ILHR 50.115 Notice of intent. (1) A notice of intent for coverage under a Wisconsin Pollutant Discharge Elimination System (WPDES) General Permit No. WI-0067831-1 for storm water discharges associated with construction activities as required by 40 CFR part 122 shall be filed by the landowner for the construction project of a public building or a building that is a place of employment disturbing 5 or more acres of land. A construction site soil erosion control plan and storm water management plan shall be prepared in accordance with good engineering practices and the design criteria, standards and specifications outlined in the Wisconsin Construction Site Best Management Practices Handbook published by the department of natural resources (WDNR Pub. WR-222 November 1993 Revision).

Note: Copies of the Wisconsin Construction Best Management Practice Handbook are available through Wisconsin Department of Administration, Document Sales, 202 S. Thornton Ave., Madison, WI 53707.

(a) Prior to filing a notice of intent, a site specific soil erosion control plan and storm water management plan shall be prepared in accordance with ss. NR 216.46 and 216.47, respectively. If the soil erosion control plan or actions required by the plan fail to control the construction site soil erosion, the plan shall be amended or other actions taken to control construction site soil erosion.

(b) The landowner shall implement the soil erosion control plan throughout the construction period. Soil erosion control measures shall be installed and maintained at the construction site until the construction site is stabilized and a notice of termination is filed with the department stating that the site has undergone final site stabilization in accordance with s. NR 216.55.

(c) The landowner shall meet the reporting and monitoring requirements specified in s. NR 216.48.

(d) The department may inspect and enforce the provisions of this section in the event of violations. Additional information requested by the department to ascertain compliance with this section shall be submitted within the time period specified by the department.

Register, August, 1995, No. 476

(e) If the department of natural resources determines the construction site to be a significant source of storm water pollution, the department of natural resources may require the site to be covered by a individual WPDES storm water discharge permit.

Note: An industrial construction site covered by this section may also require an Industrial Storm Water Discharge Permit issued by the department of natural resources as provided in subch. II of ch. NR 216.

(2) A notice of intent shall be filed either with the department or with certified municipalities and counties authorized to review plans and perform inspections under s. ILHR 50.21. Municipalities and counties shall file a copy of the notice of intent with the department. The notice of intent shall be filed on form 3400-161 published by the department of natural resources.

Note: Copies of form 3400-161 may be obtained from the department or the department of natural resources.

(3) The notice of intent form shall be completed in accordance with the instructions and filed at least 14 working days prior to commencement of construction.

(4) The department shall provide a summary of the notice of intent information collected to the department of natural resources.

(5) A landowner filing a notice of intent under this section shall be exempt from the department of natural resources' \$200 fee associated with filing form 3400-161.

History: Emerg. cr. eff. 11-4-94; cr. Register, August, 1995, No. 476, eff. 9-1-95.

Subchapter IV — Department Approval

ILHR 50.12 Plan examination and approval. (1) TYPES OF BUILDINGS. Plans and specifications for all buildings and structures in the following classifications shall be submitted to the department or its authorized representative, as provided in s. ILHR 50.21, for examination and approved before commencing work:

Note: See the scope of the occupancy chapters for examples of specific types of buildings covered in pars. (a) through (f).

Note: Section 101.12 (3) (h), Stats., prohibits local issuance of permits or licenses for construction or use of public buildings or places of employment until drawings and calculations have been examined and approved by the department.

(a) Factories, office and mercantile buildings (ch. ILHR 54).

1. Except for public mausoleums, department examination and approval for factories, office and mercantile buildings containing less than 25,000 cubic feet total volume is waived; however, the buildings shall comply with the applicable requirements of this code.

2. Upon written request, the department may conduct an examination of preliminary mausoleum plans for compliance with the provisions of this code. Results of this examination will be in writing. A fee may be charged for this type of examination. Complete plans and specifications shall be submitted in accordance with sub. (5) prior to construction.

(b) Theaters and assembly halls (ch. ILHR 55).

(c) Schools and other places of instruction (ch. ILHR 56).

(d) Apartment buildings that exceed 60 feet in height or 6 stories, hotels, motels and places of abode (ch. ILHR 57).

(e) Health care facilities and places of detention (ch. ILHR 58). Plans shall be submitted for double ceiling in existing places of detention only where other alterations are being made that affect exiting, natural lighting, fire hazard or structural components. If the increased occupant load does not require physical alteration to the existing structure, plans are not required to be submitted.

(f) Hazardous occupancies (ch. ILHR 59).

1. Department examination and approval of plans shall be waived for a hangar accommodating one airplane; however, the building shall conform with the applicable requirements of this code.

2. Department examination and approval shall be waived for a storage garage which is less than 25,000 cubic feet in total volume; however, the building shall comply with the applicable requirements of this code.

(g) Day care facilities (ch. ILHR 60).

(h) Community-based residential facilities (CBRF) (ch. ILHR 61).

(i) 1. Except as provided in subd. 2, department examination and approval is waived for television and radio transmitting and receiving antennas, outdoor theater screens, water tanks, display signs, observation towers, docks, piers, wharves, tents or inflatable structures used temporarily, and other similar structures; however, these structures and temporary tents shall comply with the applicable structural and other requirements of chs. ILHR 50-64.

2. a. Plan examination and approval is required for the installation of roof mounted antenna structures exceeding

20 feet in height above the roof, unless the building is otherwise exempt or plan submittal is waived.

b. Plan examination and approval is required for the installation of ground mounted antenna structures exceeding 200 feet in height.

c. Plan examination and approval is required for the installation of ground mounted antenna structures exceeding 50 feet in height if the structure is located nearer to any street, public thoroughfare or property line than the height of the structure measured from the base of the structure nearest to the street, thoroughfare or property line to the highest point of the structure.

(2) TYPES OF PLAN APPROVAL. The following types of plans shall be submitted to the department or its authorized representative, as provided in s. ILHR 50.21, for examination and approval before construction is commenced:

(a) General building plans.

(b) Structural plans.

(c) 1. Heating and ventilating plans; and

2. Data and information relative to requirements of chs. ILHR 63 and 64 for the replacement of a major piece of heating or air conditioning equipment.

(d) Alteration plans for existing buildings, except for those alterations involving changes in interior finishes only.

(e) Revisions to previously examined plans.

(f) Industrial exhaust system plans within government-owned buildings.

Next page is numbered 5

Note: See s. ILHR 64.54 (3) relating to the types of exhaust ventilation systems requiring plan submittal.

(g) Spray booth plans (government-owned buildings only).

(h) Footing and foundation plans (see s. ILHR 50.13).

(i) Assembly seating facility plans.

(j) Fire escape plans.

(3) **PLANS AND SPECIFICATIONS.** At least 4 complete bound sets of plans, which are clear, legible and permanent copies, and one copy of specifications shall be submitted for examination and approval before commencing construction. The plans shall be bound in a manner that enables them to be reviewed without removing the binding. The plans and specifications shall contain the following information:

Note: Also see sub. (5) (b) note.

(a) *General.* All plans shall contain the name of the owner and the address of the building. The name and seal of the architect, engineer or person who prepared the plans shall appear on the title sheet, in accordance with s. A-E 2.02, Wis. Adm. Code.

(b) *General building plans.* The general building plans shall include the following:

1. **Plot plan.** a. The location of the building with respect to property lines and lot lines and adjoining streets, alleys and any other buildings on the same lot or property shall be indicated on the plot plan. For recycling space designated adjacent to a building, as specified in s. ILHR 52.24, the area and dimensions shall be indicated on the plot plan. A small scale plot plan shall be submitted on a 8½" x 11" sheet for projects containing multiple buildings. For purposes of this requirement, a plot plan does not have to be a certified survey.

b. The plot plan shall clearly indicate the location of the accessible building, its accessible entrances and the exterior accessible route to, from and between all accessible parking spaces, recreational and public facilities and areas on the site, public transportation stops adjacent to the property, public streets or sidewalks and if provided, passenger loading zones. The plans shall also indicate the size and location of the accessible parking spaces and the gradient or slope information for all walks and ramps on the accessible route.

2. **Floor plans.** Floor plans shall be provided for each floor. The size and location of all rooms, doors, windows, fire walls, toilet facilities, structural features, exit passageways, exit lights, fire alarms, standpipes, stairs and other pertinent information, including but not limited to adequate space within a building designated for collection, separation and temporary storage of recyclable materials, shall be indicated. Schematic exit plans shall be provided for large buildings, indicating normal paths of egress.

3. **Elevations.** The elevations shall contain information on the exterior appearance of the building and indicate the location and size of doors, windows, roof shape, chimneys, exterior grade, footings and foundation walls, and include information about the exterior materials.

4. **Sections and details.** Sections and details shall include information to clarify the building design.

5. **Interior barrier-free design information.** The general building floor plans, elevations and sections shall clearly show the following:

a. All accessible routes through accessible buildings, facilities, tenant spaces and living units.

b. The design and location of all interior and exterior ramps, including the gradient or slope information.

c. The areas of rescue assistance in multilevel buildings, including dimensions of the area and the fire resistive construction details.

d. The type and location of elevator or mechanical lifting equipment and, where applicable, the design and construction of the vertical shaft.

e. The design of bathrooms, toilet rooms and unisex toilet rooms, including door clearances, lavatory or vanity design, plumbing fixture mounting heights, turnaround spaces, clear spaces required for plumbing fixtures, the size and arrangement of toilet compartments and other toilet room equipment such as, but not limited to, mirrors, soap dispensers and hand dryers.

(c) *Heating, ventilating and air conditioning plans.* Heating, ventilating and air conditioning plans shall indicate the layout of the system, including location of equipment and size of all piping, ductwork, dampers (including fire dampers), chimneys, vents and controls. The quantity of outside air introduced to each zone, and the quantity of supply air and exhaust air for each room shall be listed on the plans. The type of equipment and capacity (including the input and output) shall be indicated on the plans or equipment schedules, unless indicated in the specifications.

(d) *Specialty plans.* Specialty plans for spray booths, special exhaust systems, assembly seating facilities, fire escapes and special structural systems shall include pertinent information with respect to the design and construction of the specialty.

(e) *Specifications.* The specifications shall be properly identified with the drawings and describe the quality of the materials and the workmanship.

(f) *Schedules.* Schedules shall be provided which contain information pertinent to doors, room finishes, equipment, and the use of all rooms and the number of occupants accommodated therein, unless this information is indicated on the plans.

Note: Original drawings are not considered a substitute for permanent prints.

Note: Duplicate information need not be submitted when heating, ventilating, air conditioning and building plans are submitted simultaneously.

Note: For pit depth and overhead clearance requirements applicable to design of elevator hoistways, see ch. ILHR 18, Elevator Code.

Note: Plans for swimming pool installations are examined by the department.

(4) **DATA REQUIRED.** All plans submitted for approval shall be accompanied by sufficient data and information for the department to judge if the design of the building, the capacity of the equipment, and the performance of the

ILHR 50.12

system will meet the requirements of this code. The following data shall be submitted:

(a) *Structural data.* Sample structural calculations, including assumed bearing value of soil, live loads and itemized dead loads, unit stresses for structural materials, typical calculations for slabs, beams, girders, columns and trusses shall be submitted. Typical wind and bracing calculations and diagrams including the manner in which shear transfer is made between resisting elements shall also be included. Complete structural calculations shall be furnished upon request of the department or other authorized approving official.

1. The building designer shall submit the following minimum information for structural components such as but not limited to wood trusses, precast concrete, laminated wood members, steel joists and steel girders when the component fabricator is specified as being responsible for the component design:

- a. Structural framing plan;
- b. Bearing support and connection details of the component to the structure;
- c. Design loads, including location and magnitude of: uniform superimposed dead and live loads; concentrated dead and live loads; nonuniform snow loads; wind and bracing loads for component system; and wind, bracing and gravity forces required to be developed at interfaces with other materials;
- d. Required fire rating;
- e. Outside configuration of components; and
- f. Permanent bracing system.

2. The building designer shall also submit the following information with the initial building plan submittal or the component plan submittal:

a. A framing plan showing all members and labels and special installation (e.g., handling and erection) instructions and any required permanent bracing required which was the basis for the component design;

b. Information regarding the member design of the following structural components: web configuration, stress diagram or tabulation of axial force in the members, member size, grade of lumber, fabricated splices and member bracing for wood trusses; web configuration, stress diagram or tabulation of axial force in the members, member size, steel yield, fabricated splices and member bracing for steel joists and joist girders subjected to nonuniform loading; specified concrete strengths, prestressing data including final effective forces and centroids, mild reinforcing including release and confinement steel, shear reinforcing, and stripping, transportation and erection handling points for precast concrete members; species of wood, bending stress of wood, adhesive and member sizes for laminated wood members; and

c. Information pertaining to the design of connections within or between like components for the following structural components: web and chord connection details and connector plate holding values for wood trusses; web and chord connection details for steel joist and joist girders subjected to nonuniform loading; bearing confinement

steel, dapped end reinforcing, corbel reinforcing, bearing pads, and loose and embedded connection steel including welding and bolting requirements for precast concrete members; member connection and bearing details for laminated wood members.

3. For the purposes of this paragraph, the department does not consider truss layout plans or truss erection plans as architectural practice or engineering practice, and therefore, such plans are not required to be signed and sealed or stamped in accordance with s. ILHR 50.07 or 50.08.

4. Information regarding reinforcement, concrete strength, fire resistive ratings for precast concrete components may be provided in either the specifications or calculations furnished with the precast concrete plans.

(b) *Energy conservation data.* Calculations and specifications shall be submitted in accordance with s. ILHR 63.01 for the types of projects outlined in s. ILHR 63.001. Thermal performance information shall be provided as specified in s. ILHR 63.12.

(c) *Heating and ventilating data.* A description of the construction for the walls, floors, ceilings and roof, and the transmission coefficients of the construction materials shall be furnished. The calculations shall include heat losses for the individual rooms (including transmission and infiltration and/or ventilation losses, whichever are greater) and a summary of the total building heat loss expressed in Btu/hour or watts.

Note: The department will accept as the basis for calculations and design data, the methods and standards recommended by the Mechanical Contractors' Association of America; the American Society of Heating, Refrigerating and Air Conditioning Engineers; and the Institute of Boiler and Radiator Manufacturers.

(d) *Data for recycling space.* Verifiable data or calculations and specifications shall be submitted in accordance with s. ILHR 52.24 for determining adequate space for the separation, temporary storage and collection of recyclable materials, unless the space designated is based on the requirements identified in this code.

(dm) *Elevator and mechanical lift data.* Where an elevator, limited-access elevator, vertical wheelchair lift, inclined wheelchair lift, stairway chairlift or other mechanical lifting device is to be installed in a public building or place of employment, the following information shall be included on the building plans and submitted to the department for approval:

1. 'Elevator or limited-use elevator.' a. Size of the elevator cab or limited-use elevator cab;

Note: In new construction, ch. ILHR 18 requires the minimum clear platform size of an elevator to be 51 inches by 68 inches, with a minimum area not less than 24 square feet. Where elevators are provided in health care facilities, including medical clinics, and in all buildings over 3 stories in height, at least one elevator shall have the combination of car size and door opening which accommodates a 76 inch by 24 inch ambulance type stretcher in the horizontal position with no tilting at any time.

Note: In existing construction where an elevator is installed and the car size specified for new construction cannot be provided, ch. ILHR 18 will allow the minimum clear platform size to be not less than 36 inches wide by 54 inches in length, with a minimum area not less than 13.5 square feet. Information shall be submitted with the elevator plans justifying why the larger size elevator cannot be installed.

b. Size, rating and construction of the vertical shaft for the elevator or limited-use elevator;

c. Door clearances to the elevator or limited-use elevator;

d. The accessible route to the elevator or limited-use elevator; and

e. Maneuverability space at the elevator or limited-use elevator hoistway entrance doors.

Note: In accordance with ch. ILHR 18, a minimum maneuverability space of 5 feet by 5 feet with a minimum of 18 inches of clear space at the latch side of the door shall be provided when the hoistway doors are manually-opening and self-closing.

2. 'Vertical wheelchair lift.' a. Size of the platform of the vertical wheelchair lift;

b. Size and construction of the shaft for the vertical wheelchair lift, where applicable;

Note: In accordance with ch. ILHR 18, the net platform area shall not exceed 18 square feet with a minimum clear width of 32 inches and a minimum clear length of 54 inches.

c. Door clearances to the vertical wheelchair lift; and

Note: In accordance with ch. ILHR 18, a minimum maneuverability space of 5 feet by 5 feet with a minimum of 18 inches of clear space at the latch side of the door shall be provided when the hoistway doors are manually-opening and self-closing.

d. Accessible route to the vertical wheelchair lift.

3. 'Inclined wheelchair lift.' a. Size of the platform of the inclined wheelchair lift;

Note: In accordance with ch. ILHR 18, the net platform area shall not exceed 18 square feet with a minimum clear width of 32 inches and a minimum clear length of 54 inches.

b. Number of occupants in the building;

c. Location and width of all exits and stairways in the building;

d. Accessible route to the inclined wheelchair lift; and

e. Width of the stairway where the inclined wheelchair lift will be installed and verification that the installation of the lift in its operational position does not infringe into the required exit width.

4. 'Stairway chairlifts.' a. Size of the stairway chairlift;

b. Number of occupants in the building;

c. Location and width of all exits and stairways in the building;

d. Accessible route to the stairway chairlift; and

e. Width of the stairway where the stairway chairlift will be located and verification that the installation of the lift in its operational position does not infringe into the required exit width.

(e) *Additional data.* When requested, additional data pertaining to design, construction, materials and equipment shall be submitted to the department for approval.

(5) **APPLICATION FOR APPROVAL.** A plans approval application form shall be included with the plans submitted to

the department for examination and approval. The department shall review and make a determination on an application for plan review within 15 business days of receipt of the application and all forms, fees, plans and documents required to complete the review as specified in s. ILHR 2.07 (3).

Note: See Appendix A for an example of the plans approval application (form SBD-118).

(a) *Conditional approval.* If, upon examination, the department determines that the plans and the application for approval substantially conform to the provisions of this code, a conditional approval, in writing, will be granted. All non-code-complying conditions stated in the conditional approval shall be corrected before or during construction. A conditional approval issued by the department shall not be construed as an assumption of any responsibility for the design or construction of the building.

(b) *Denial of approval.* If the department determines that the plans or the application do not substantially conform to the provisions of this code, the application for conditional approval will be denied, in writing.

Note: A letter will be sent to the designer and the owner of record with a statement relating to the examination of the plans and citing the conditions of approval or denial. The plans will be dated and stamped "conditionally approved" or "not approved," whichever applies. The department will retain one copy of the plans for all projects. The department will forward one copy of the plans for projects of less than 100,000 cubic feet and alterations of less than \$100,000 estimated cost to the state building inspector of record. The remaining plans will be returned to the person designated on the plans approval application.

(6) **REVISIONS TO APPROVED PLANS.** (a) 1. All revisions and modifications, which involve provisions of this code, made to plans or specifications, which have previously been granted approval by the department, shall be submitted to the department for review.

2. All revisions and modifications to the plans shall be approved in writing by the department prior to the work involved in the revision or modification being carried out.

(b) A revision or modification to a plan, drawing or specification shall be signed and sealed in accordance with s. ILHR 50.07 (2), if applicable.

History: Cr. Register, December, 1976, No. 252, eff. 1-1-77; am. (1) (g) 1, Register, December, 1977, No. 264, eff. 1-1-78; am. (4) (b), Register, May, 1978, No. 269, eff. 7-1-78; am. (1) (g) (intro.), Register, December, 1978, No. 276, eff. 1-1-79; am. (2) (c) 1., (3) (intro.) and (4) (b), cr. (2) (k), Register, January, 1980, No. 289, eff. 2-1-80; am. (1) (b) and (d), (2) (c) 2., (d) and (i), (3) (d), (4) (a), renum. (1) (e), (f) and (g) to be (1) (f), (g) and (i) and am. (1) (f) and (i) (intro.), cr. (1) (e) and (h), Register, December, 1981, No. 312, eff. 1-1-82; r. and recr. (1) (i), am. (4) (a) 2. intro., Register, December, 1983, No. 336, eff. 1-1-84; am. (5) (intro.), Register, January, 1985, No. 349, eff. 2-1-85; am. (1) (intro.) and (2) (intro.), Register, April, 1985, No. 352, eff. 5-1-85; am. (4) (a) 1., Register, August, 1985, No. 356, eff. 1-1-86; r. (2) (k), Register, December, 1985, No. 360, eff. 1-1-86; r. and recr. (1) (f), (i), (2) (c) and (f), am. (3) (intro.), (b) 1. and (4) (b), cr. (4) (a) 3. and 4. and (6), Register, March, 1991, No. 423, eff. 4-1-91; am. (1) (a) 1., cr. (1) (a) 2., Register, March, 1992, No. 435, eff. 4-1-92; am. (5), Register, June, 1992, No. 438, eff. 7-1-92; am. (3) (b) 1. and 2., renum. (4) (d) to be (e), cr. (4) (d), Register, October, 1992, No. 442, eff. 5-1-93; am. (1) (e), (i) 2. c., (3) (intro.) and (a), (4) (a) 2. b. and (b), Register, January, 1994, No. 457, eff. 2-1-94; cr. (4) (dm), Register, March, 1994, No. 459, eff. 4-1-94; renum. (3) (b) 1. to (3) (b) 1. a., cr. (3) (b) 1. b., 5., Register, November, 1994, No. 467, eff. 12-1-94; reprinted to restore dropped copy in (3) (b) 5., Register, January, 1995, No. 469; am. (1) (d), Register, March, 1995, No. 471, eff. 4-1-95.

ILHR 50.125 Wisconsin insignia. History: Cr. Register, May, 1980, No. 293, eff. 6-1-80; r. Register, March, 1995, No. 471.

ILHR 50.13 Footing and foundation approval. (1) The department or its authorized representative, as provided in

Register, March, 1995, No. 471

ILHR 50.13

s. ILHR 50.21, may conditionally approve footing and foundation plans to permit construction of footings and foundations prior to the examination and approval of the complete plans upon submission of:

(a) A plan approval application form, SBD-118;

(b) At least 4 bound sets of footing and foundation plans which:

1. Include a plot plan; and
2. Are signed and sealed in accordance with s. ILHR 50.07 or 50.08, if applicable.

(c) At least one set of:

1. Schematic floor plans indicating the exits;
2. Building elevations;
3. Itemized structural loads; and
4. Structural footing and foundation calculations; and

(d) The fee as specified in ch. ILHR 2.

(2) The department shall review and make a determination on an application for footing and foundation approval within 15 business days of receipt of the application and all forms, fees, plans and documents required to complete the review.

History: Cr. Register, December, 1976, No. 252, eff. 1-1-77; am. Register, May, 1980, No. 293, eff. 6-1-80; am. Register, January, 1985, No. 349, eff. 2-1-85; am. Register, April, 1985, No. 352, eff. 5-1-85; r. and recr. register, March, 1991, No. 423, eff. 4-1-91; correction in (1) (d) made under s. 13.93 (2m) (b) 7, Stats., Register, June, 1993, No. 450.

ILHR 50.14 Permission to start construction. (1) The department or its authorized representative, as provided in s. ILHR 50.21, may issue a permission to start construction form for the footings and foundations upon submission of:

(a) A completed plan approval application form, SBD-118;

(b) 1. At least 4 bound sets of building plans and one copy of specifications; or

2. At least 4 bound sets of footing and foundation plans and the information specified in s. ILHR 50.13 (1).

(c) A written request by the owner to start construction, form SBD-198; and

(d) Fees as specified in ch. ILHR 2.

(2) The holders of the permission form shall proceed at their own risk without assurance that a conditional approval for the building will be granted.

(3) The department shall review and make a determination on an application for permission to start construction within 3 business days of receipt of the application and all forms, fees, plans and documents required to complete the review.

History: Cr. Register, December, 1976, No. 252, eff. 1-1-77; am. Register, May, 1980, No. 293, eff. 6-1-80; am. Register, December, 1983, No. 336, eff. 1-1-84; am. Register, January, 1985, No. 349, eff. 2-1-85; am. Register, April, 1985, No. 352, eff. 5-1-85; r. and recr. Register, March, 1991, No. 423, eff. 4-1-91; correction in (1) (d) made under s. 13.93 (2m) (b) 7, Stats., Register, June, 1993, No. 450.

Register, March, 1995, No. 471

ILHR 50.15 Evidence of plan approval. The architect, engineer, designer, builder, manufacturer or owner shall keep at the building site one set of plans bearing the stamp of conditional approval and a copy of the specifications. The plans shall be open to inspection by an authorized representative of the department.

History: Cr. Register, December, 1976, No. 252, eff. 1-1-77; am. Register, May, 1980, No. 293, eff. 6-1-80.

ILHR 50.155 Sprinkler documents. (1) **PLANS.** (a) 1. Except as provided in subd. 2, where automatic fire sprinkler systems are to be installed or altered, sprinkler plans and specifications shall be present at the job site and made available, upon request, to the department, its agent or local governmental agencies exercising jurisdiction.

2. a. When a project involves the alteration or addition of 20 or less sprinkler heads to an existing automatic fire sprinkler system, sprinkler plans and specifications shall not be required to be present at the job site or made available, unless required by local ordinance.

b. When sprinkler plans and specifications are not provided for a project involving the alteration or addition of 20 or less sprinkler heads to an existing automatic fire sprinkler system, the automatic fire sprinkler contractor responsible for the work shall provide a written description of the type and scope of the work. The description shall be included with the material and test certificate, if required. The description shall be made available, upon request, to the department, its agent or local governmental agencies exercising jurisdiction.

(b) The sprinkler plans at the installation site shall be:

1. Signed and sealed in accordance with s. A-E 2.02 by an architect, engineer or sprinkler designer who is registered by the department of regulation and licensing; or

2. Signed, including license number, and dated by an automatic fire sprinkler contractor who is responsible for the installation of the sprinklers and who is licensed by the department of industry, labor and human relations.

(c) Where automatic fire sprinkler plans are required by local ordinance to be reviewed and approved by a local governmental agency, the sprinkler plans at the installation site shall bear evidence of that approval.

(d) The plans for the automatic fire sprinkler system to be at the installation site shall include at least:

1. The name of the:

a. Owner of the building; and

b. Occupant or occupants in the building;

2. The location or address of the building;

3. A full height cross section through the building;

4. The location within the building of:

a. Partitions, walls, and fire walls;

b. Concealed spaces, closets, attics and bathrooms;

c. Sprinklers;

d. Alarms;

e. Pumps, valves, drain pipes and test connections; and

f. Pipe hangers and supports.

5. The occupancy class of each area or room within the building;

6. The sources of water supply, including the static pressure, residual pressure, the flow and the dates and time of determination for each;

7. The location and size of:

a. All above ground and underground piping; and

b. Hose outlets.

8. The number of sprinklers on each riser per floor; and

9. The relative elevations of sprinklers, junction points, and supply points;

(e) The specifications for the automatic fire sprinkler system to be at the installation site shall include at least:

1. The type of materials, and devices that comprise the sprinkler system;

2. The settings of pressure reducing valves; and

3. Type and amount of antifreeze solutions being employed, if any.

(2) **SPRINKLER MATERIAL AND TEST CERTIFICATES.** (a) Where automatic fire sprinkler systems have been installed or altered, completed sprinkler material and test certificates shall be made available, upon request, to the department, its agent or local governmental agencies exercising jurisdiction.

(b) A sprinkler material and test certificate shall provide at least the information as enumerated in NFPA 13, s. 8-1 or NFPA 13R, s. 2-1, depending upon the type of sprinkler system.

History: Cr. Register, June, 1993, No. 450, eff. 7-1-93; am. (2) (b), Register, January, 1994, No. 457, eff. 2-1-94.

ILHR 50.16 Revocation of approval. The department may revoke any approval, issued under the provisions of this code, for any false statements or misrepresentation of facts on which the approval was based.

History: Cr. Register, December, 1976, No. 252, eff. 1-1-77.

ILHR 50.17 Expiration of plan approval and extension of plan approval. (1) **EXPIRATION OF PLAN APPROVAL.** (a) **Building shell.** Except as provided in par. (e), plan approval by the department or its authorized representative for new buildings and building additions shall expire 2 years after the approval date indicated on the approved building plans if the building shell is not closed in within those 2 years.

(b) **Occupancy.** Except as provided in sub. (2), plan approval by the department or its authorized representative for new buildings and building additions shall expire 3 years after the approval date indicated on the approved building plans if the building is not ready for occupancy within those 3 years.

(c) **Alterations.** Except as provided in sub. (2), plan approval by the department or its authorized representative for interior building alterations shall expire 1 year after the approval date indicated on the approved building

plans if the alteration work is not completed within that year.

(d) **HVAC construction only.** Except as provided in sub. (2), plan approval by the department or its authorized representative for heating, ventilating, or air conditioning construction that does not include any associated building construction shall expire 1 year after the approval date indicated on the approved plans if the building or building area affected by the plans is not ready for occupancy within that year.

(e) **Mausoleums.** Plan approval by the department or its authorized representative for mausoleums within the scope of s. 440.92 (2) (e), Stats., shall expire 3 years after the date indicated on the approved building plans of the building shell if not closed within those 3 years.

(2) **EXTENSION OF PLAN APPROVAL.** Upon request and payment of the fee specified in ch. ILHR 2, the expiration dates in sub. (1) (b), (c), and (d) shall be extended for one 1-year period provided the request is submitted prior to expiration of the original approval.

Note: According to s. 66.05 (1) (a), Stats., the local governmental body or building inspector may order the razing of buildings or portions thereof, where there has been a cessation of normal construction for more than 2 years.

History: Cr. Register, December, 1976, No. 252, eff. 1-1-77; r. and recr. Register, August, 1986, No. 368, eff. 9-1-86; correction in (2) made under s. 13.93 (2m) (b) 7, Stats., Register, June, 1993, No. 450; r. and recr., Register, March, 1995, No. 471, eff. 4-1-95.

ILHR 50.175 Department limitation. A conditional approval of a plan by the department shall not be construed as an assumption of any design responsibility.

History: Cr. Register, August, 1986, No. 368, eff. 9-1-86.

ILHR 50.18 Inspections. (1) **ON-SITE.** Inspections shall be conducted by an authorized representative of the department to determine whether or not the construction or installations conform to the conditionally approved plans, the conditional approval letter, and the provisions of chs. ILHR 50 to 64.

Note: Municipalities certified under s. ILHR 50.21 are authorized representatives of this department to make the inspections specified in this section, but not the maintenance or life-safety inspections specified in s. ILHR 56.21 and subch. IV of ch. ILHR 56 except that 1st class cities may perform these inspections.

Note: See Appendix A for further explanatory material.

(2) **IN-PLANT.** Manufacturers of multi-family dwellings shall contract with the department or an independent inspection agency to conduct in-plant inspections to assure that the manufactured multi-family dwellings are in compliance with the plans approved by the department. All inspections shall be performed by a certified inspector or independent inspection agency.

Note: See Appendix A for an example of the inspection progress report form (SBD-224) and inspection report and orders form (SBD-2).

(3) **PUBLIC MAUSOLEUM.** Within 30 days after receiving written notice from a cemetery authority that the construction or conversion of a public mausoleum has been completed, the department or authorized agent shall inspect the public mausoleum and provide written notification of violations. Except as provided in s. 157.12 (2) (b), Stats., public mausoleum spaces may not be sold prior to approval by the department or its authorized agent.

Register, March, 1995, No. 471

ILHR 50.18

Note: Sale of public mausoleum spaces is permitted prior to departmental approval in accordance with the requirements of the department of regulation and licensing.

History: Cr. Register, December, 1976, No. 252, eff. 1-1-77; am. Register, May, 1980, No. 293, eff. 6-1-80; cr. (3), Register, March, 1992, No. 435, eff. 4-1-92; am. (1), Register, October, 1992, No. 442, eff. 11-1-92.

ILHR 50.19 Building material approvals. (1) MATERIALS, EQUIPMENT AND DEVICES. All materials, equipment and devices not specifically mentioned in this code shall be permitted if approved in writing by the department. Sufficient data, tests and other evidence to prove that the material, equipment or device is equivalent to the standards required in this code shall be submitted. Upon receipt of a fee and a written request, the department may issue an approval number for the material, piece of equipment or device. The department shall review and make a determination on an application for material, equipment and device approval within 30 business days of receipt of all forms, fees, plans and documents required to complete the review.

(2) TESTING LABORATORIES. (a) A testing laboratory may submit to the department a request to be recognized as an approved testing laboratory which evaluates and certifies materials, products or assemblies for conformance with the specifications or standards of this code.

(b) The request for recognition as an approved testing laboratory under par. (a) shall include:

1. A completed building material approval application;
2. Information, data and other evidence describing the operations, policies and procedures of the testing laboratory; and
3. A fee as specified in ch. ILHR 2.

(c) The department shall review and make a determination on a request for recognition as an approved testing laboratory under par. (a) within 30 business days of receipt of all forms, fees and documents required to complete the review.

(3) REQUIRED APPROVALS. An approval shall be obtained for:

- (a) Light transmitting plastics; and
- (b) Direct vent sealed combustion chamber appliances.

Note: A building material approval application form (SBD-8028), may be obtained from the Safety and Buildings Division, P. O. Box 7969, Madison, Wisconsin 53707.

History: Cr. Register, December, 1976, No. 252, eff. 1-1-77; am. Register, January, 1985, No. 349, eff. 2-1-85; renum. to be (1), cr. (2), Register, March, 1991, No. 423, eff. 4-1-91; am. (2) (b) 3., cr. (3), Register, January, 1994, No. 457, eff. 2-1-94.

ILHR 50.20 Fees. Fees for petitions for variance, material approval, plan examination and approval, and for inspection of buildings, structures, and heating and ventilating shall be submitted as specified in ch. ILHR 2. Fees shall be submitted at the time the application for approval is submitted. No plan examinations, approvals or inspections may be made until the fees are received.

History: Cr. Register, December, 1976, No. 252, eff. 1-1-77; am. Register, August, 1985, No. 356, eff. 1-1-86; am. Register, January, 1994, No. 457, eff. 2-1-94.

Register, March, 1995, No. 471

Subchapter V — First Class City and Certified Municipal Approvals

ILHR 50.21 Certified municipalities and counties. (1) GENERAL. This section shall establish the manner under which cities, villages, towns and counties may examine building plans and inspect buildings relative to s. 101.12 (3) (a), (b) and (g), Stats.

(2) CONDITIONS OF PARTICIPATION. Before assuming the responsibilities of examining building plans and providing inspection services cities, villages, towns and counties shall comply with all of the following conditions:

(a) Notify the department, in writing, at least 30 days prior to the date upon which the municipality or county intends to assume the responsibilities.

(b) Adopt by ordinance or regulation the responsibilities of plan examination and building inspection.

(c) Adopt by ordinance or regulation chs. ILHR 50 to 64 in its entirety.

(d) Submit to the department a certified copy of all ordinances or regulations assuming the plan examination and building inspection responsibilities and adopting chs. ILHR 50 to 64.

(e) Employ certified inspectors to perform the plan examination and building inspection functions.

(f) Forward to the department any information requested by the department relative to the examination of plans and the inspections of buildings.

(g) Notify the department, in writing, at least 30 days prior to the date upon which the municipality or county intends to relinquish the responsibilities.

(3) JURISDICTION. (a) *Departmental.* 1. Nothing in this section shall prevent the department from conducting its own investigations or inspections or issuing orders relative to the administration and enforcement of chs. ILHR 50 to 64.

2. The department shall administer and enforce chs. ILHR 50 to 64 in any municipality or county which has not assumed the responsibilities for plan examination and building inspections under sub. (2).

(b) *County.* 1. Ordinances enacted by a county under sub. (2) establishing county plan examination and building inspection functions shall apply to all municipalities within that county which have not assumed those functions pursuant to sub. (2).

2. Ordinances enacted by a county under sub. (2) establishing county plan examination and building inspection functions may not prevent or prohibit any municipality within that county from assuming those functions pursuant to sub. (2) at any time.

(4) CERTIFICATION OF INSPECTORS. Inspectors employed by agent municipalities and counties to administer and enforce chs. ILHR 50 to 64 under sub. (2) shall be certified by the department in accordance with ch. ILHR 26 as certified commercial building inspectors.

(5) PLAN EXAMINATION. (a) *First class cities.* Drawings, specifications and calculations for all the types of build-

ings and structures specified in s. ILHR 50.12 (1), except state-owned buildings and structures, to be constructed within the limits of a first class city shall be submitted to that city, if that city has assumed the responsibilities of plan examination and building inspection in accordance with sub. (2).

(b) *Other municipalities and counties.* Drawings, specifications and calculations for all the types of buildings and structures specified in s. ILHR 50.12 (1), except state-owned buildings and structures, to be constructed within the municipal limits of a municipality other than a first class city or within a county shall be submitted to that municipality or county if the municipality or county has assumed the responsibilities of plan examination and building inspection in accordance with sub. (2) and if the plans are for:

1. A new building or structure containing less than 5,000 square feet of total floor area;
2. An addition to a building or structure where the area of the addition results in the entire building or structure containing less than 5,000 square feet of total floor area; or
3. An alteration of a space involving less than 10,000 square feet of total floor area.

Note: The department will allow use of 50,000 and 100,000 cubic feet of total volume in lieu of the thresholds of 5,000 and 10,000 square feet of total floor area, respectively, as established in s. 101.12 (3) (b), Stats., provided calculations showing that volume are included in the submittal to the municipality.

(c) *Project waiver.* An agent municipality or county may waive its jurisdiction for the plan review of a specific project, in which case, plans shall be submitted to the department for review and approval.

(d) *Plan submission procedures.* 1. A building permit application shall be included with the plan submitted to the municipality or county having jurisdiction for examination.

2. At least 2 sets of complete building plans and one copy of specifications shall be submitted to the municipality or county having jurisdiction for examination.

3. Building plans submitted to a municipality or county for examination shall include the information specified in s. ILHR 50.12 (3) and (4).

(e) *Plan approval.* 1. If the municipality or county having jurisdiction determines that the plans submitted substantially conform to the provisions of chs. ILHR 50 to 64 or other ordinances and regulations, an approval shall be issued as follows:

a. The plans shall be stamped "CONDITIONALLY APPROVED", signed and dated by a certified inspector.

b. One set of the conditionally approved plans shall be retained by the municipality or county and all other plans shall be returned to the submitter or their representative.

c. A notice of conditional approval shall be provided, in writing, to the submitter and the building owner stating all conditions of approval.

2. All non-code-complying and other conditions stated in the conditional approval notice shall be corrected or met

before or during construction, and before occupancy of the building.

(f) *Denial of plan approval.* If the municipality or county determines that the plans submitted do not substantially conform to the provisions of chs. ILHR 50 to 64 or other legal ordinances and regulations, a denial for plan approval shall be issued as follows:

1. The plans shall be stamped "NOT APPROVED", signed and dated by a certified inspector.

2. One set of the not-approved plans shall be retained by the municipality or county and all other plans shall be returned to the submitter or their representative.

3. A notice of the not-approved plans shall be provided in writing, to the submitter and the building owner stating the reasons for the denial.

(g) *Liability.* A conditional approval of a plan by a municipality or county may not be construed as an assumption of any responsibility on the part of the municipality, the certified inspector or the department for the design or construction of the building.

(6) *INSPECTION.* Inspections shall be conducted by an agent municipality or county to ascertain whether or not the construction or installation for buildings and structures conforms to the conditionally approved plans, the notice of conditional approval and chs. ILHR 50 to 64 as follows:

(a) All inspections, for the purpose of administration and enforcement of chs. ILHR 50 to 64, shall be performed by a certified inspector.

(b) A written report of each inspection shall be prepared. The report shall include the name of the certified inspector.

(c) A copy of each inspection report shall be furnished to the owner and plan submitter.

(d) A copy of each inspection report shall be permanently maintained in the municipal files or county files.

(e) The inspection report shall indicate all items of non-compliance noted during the inspection.

(f) If non-complying items are not corrected, orders to correct shall be issued in accordance with local ordinances.

Note: Certified municipalities are authorized to perform the inspections specified in s. ILHR 50.18.

(7) *FEES.* Municipalities and counties having jurisdiction of plan examination and building inspections may set by ordinance the fees for plan examination and building inspection services.

Note: See Appendix A for a list of the municipalities and counties providing plan examination and building inspections under this section.

History: Cr. Register, December, 1976, No. 252, eff. 1-1-77; r. and recr. Register, April, 1985, No. 352, eff. 5-1-85; am. (5) (b) 3., renum. (5) (c) to (f) to be (5) (d) to (g), cr. (5) (c), Register, March, 1991, No. 423, eff. 4-1-91; am. (5) (b) 1. to 3., Register, March, 1995, No. 471, eff. 4-1-95.

ILHR 50.21

Subchapter VI — Enforcement, Petition for Variance, Appeals, and Penalties

ILHR 50.23 Enforcement. The provisions of this code shall be enforced by the department, or by municipal officials or other local officials who are required by law to enforce the administrative rules of the department.

History: Cr. Register, December, 1976, No. 252, eff. 1-1-77.

ILHR 50.24 Appeals. Any person affected by any local order which is in conflict with a rule of the department may petition the department for a hearing on the grounds that the local order is unreasonable and in conflict with the rule of the department. The department shall review and make a determination on an appeal of a local ordinance within 60 business days of receipt of a verified petition submitted with all forms, fees, plans and documents required to complete the review.

Note: Section 101.01 (1) (g), Stats., defines "local order" as any ordinance, order, rule or determination of any common council, board of alders, board of trustees or the village board, of any village or city, or the board of health of any municipality, or an order or direction of any official of such municipality, upon any matter over which the department has jurisdiction.

History: Cr. Register, December, 1976, No. 252, eff. 1-1-77; am. Register, January, 1985, No. 349, eff. 2-1-85.

ILHR 50.25 Petition for variance. (1) PROCEDURE. The department shall consider and may grant a variance to an administrative rule upon receipt of a fee, a completed petition for variance form from the owner, and a position statement from the fire department having responsibility and an interest in the rule, provided an equivalency is established in the petition for variance which meets the intent of the rule being petitioned. The department may impose specific conditions in a petition for variance to promote the protection of the health, safety or welfare of the employees or the public. Violation of those conditions

under which the petition is granted constitutes a violation of these rules.

Note: See Appendix A for further explanatory material.

(2) PETITION PROCESSING TIME. Except for priority petitions, the department shall review and make a determination on a petition for variance within 30 business days of receipt of all calculations, documents and fees required to complete the review. The department shall process priority petitions within 10 business days.

Note: See Appendix A for an example of the petition for variance form (SBD-8) and the fire department position statement form (SBD-8A).

Note: Section 101.02 (6), Stats., outlines the procedure for submitting petitions to the department and the department procedures for hearing petitions.

History: Cr. Register, December, 1976, No. 252, eff. 1-1-77; am. Register, December, 1978, No. 276, eff. 1-1-79; am. Register, May, 1980, No. 293, eff. 6-1-80; am. Register, October, 1984, No. 346, eff. 11-1-84; cr. (2), Register, January, 1985, No. 349, eff. 2-1-85.

ILHR 50.26 Penalties. Penalties for violations shall be assessed in accordance with s. 101.02, Stats.

Note: Section 101.02 (13) (a), Stats., indicates penalties will be assessed against any employer, employe, owner or other person who fails or refuses to perform any duty lawfully enjoined, within the time prescribed by the department, for which no penalty has been specifically provided, or who fails, neglects or refuses to comply with any lawful order made by the department, or any judgment or decree made by any court in connection with ss. 101.01 to 101.25. For each such violation, failure or refusal, such employe, owner or other person must forfeit and pay into the state treasury a sum not less than \$10 nor more than \$100 for each violation.

Note: Section 101.02 (12), Stats., indicates that every day during which any person, persons, corporation or any officer, agent or employe thereof, fails to observe and comply with an order of the department will constitute a separate and distinct violation of such order.

History: Cr. Register, December, 1976, No. 252, eff. 1-1-77.

Chapter ILHR 51

DEFINITIONS AND STANDARDS

ILHR 51.01	Definitions	ILHR 51.15	Standard exit
ILHR 51.015	Scope	ILHR 51.151	Exit distribution
ILHR 51.02	General requirements	ILHR 51.152	Egress configuration
ILHR 51.03	Classes of construction standards	ILHR 51.16	Stairways and ramps
ILHR 51.04	Scope	ILHR 51.161	Handrails
ILHR 51.042	General requirements	ILHR 51.162	Guardrails
ILHR 51.043	Approved rating methods	ILHR 51.164	Headroom
ILHR 51.044	Testing laboratories	ILHR 51.165	Stairway identification
ILHR 51.045	Typical examples of fire-resistive structural components	ILHR 51.166	Stairway discharge
ILHR 51.046	Calculation method	ILHR 51.167	Exiting through areas of hazard
ILHR 51.047	Fire-rated door assemblies in fire-rated construction	ILHR 51.17	Smokeproof stair tower
ILHR 51.048	Fire window and glass block assemblies in fire-rated construction	ILHR 51.18	Interior enclosed stairway
ILHR 51.049	Miscellaneous openings in fire-rated construction	ILHR 51.19	Horizontal exit
ILHR 51.05	Roof coverings	ILHR 51.20	Fire escapes
ILHR 51.06	Foam plastics	ILHR 51.21	Standpipe and hose systems
ILHR 51.065	Light-transmitting plastics	ILHR 51.22	Fire extinguishers
ILHR 51.07	Interior finishes	ILHR 51.23	Automatic sprinklers
ILHR 51.08	Occupancy separations	ILHR 51.24	Fire alarm systems
ILHR 51.14	Safety glazing	ILHR 51.245	Smoke detectors
		ILHR 51.25	Incorporation of standards by reference

Note: Chapter Ind 51 was renumbered to be chapter ILHR 51 effective January 1, 1984.

Note: The definitions of words and phrases not defined in this section should be taken from the current edition of Webster's New International Dictionary.

ILHR 51.01 Definitions. (1) "Accessory room" means any room or enclosed floor space used for eating, cooking, bathrooms, water closet compartments, laundries, pantries, foyers, hallways and other similar floor spaces. Rooms designated as recreation, study, den, family room, office and other similar floor spaces, in addition to habitable rooms, are not considered accessory rooms.

(1a) **AIR CONDITIONING.** The process of treating air to control simultaneously its temperature, humidity, cleanliness and distribution to meet the requirements of the conditioned space.

(2) **ALLEY.** Any legally established public thoroughfare less than 30 feet in width but not less than 10 feet in width whether designated by name or number.

(2m) "Amusement facility" has the meaning given in s. 101.128 (1) (a), Stats.

Note: Section 101.128 (1) (a), Stats., defines amusement facility as any zoo, state or local park, amusement or theme park, state fair park, or county or other local fairgrounds. For the purposes of calculating sanitary fixtures, an amusement facility may also be referred to as an outdoor event.

(3) **APPROVED.** Approval granted by the department under the regulations stated in this code.

(3a) "Approved diversified tests" means fire tests which evaluate materials or construction assemblies representative of actual end use applications.

Note: Approved diversified tests may include, but are not limited to: ASTM E 84 — Test for Surface Burning Characteristics of Building Materials; ASTM E 119 — Fire Tests of Building Construction and Materials; ASTM D 1929 — Standard Test Method for the Ignition Properties of Plastics; FM 4880 — Factory Mutual Building Corner Fire Test; and UL 1040 — Outline of Investigation of Insulated Wall Construction.

(4) **AREA (GROSS).** The maximum horizontal projected area within the perimeter of the outside surface of walls or supports of the building or structure. Exterior cantilever open balconies are not included.

(5) **AREA (NET).** The occupied or usable floor area in a building but not including space occupied by columns, walls, partitions, stairways, mechanical shafts or ducts.

(5a) **AREAWAY.** Exterior area whose grade is below the grade (at building) and having at least one side consisting of the exterior wall of a building.

(5b) "ATRIUM" means a floor opening or series of floor openings connecting 3 or more floor levels, but not including a mezzanine or a balcony, that is covered at the top of the series of openings and is used for purposes other than an enclosed stairway; elevator hoistway; or utility shaft used for plumbing, electrical, air conditioning or communication facilities.

(6) **ATTIC.** The space not used for human occupancy located between the ceiling of uppermost story and the roof.

(6m) "Adult family home" has the meaning given in s. 50.01 (1), Stats.

Note: Under s. 50.01 (1), Stats., an "adult family home" means a private residence to which all of the following apply:

Care and maintenance above the level of room and board but not including nursing care are provided in the private residence by the care provider whose primary domicile is this residence for 3 or 4 adults, or more adults if all of the adults are siblings, each of whom has a developmental disability, as defined in s. 51.01 (5), or, if the residence is licensed as foster home, care and maintenance are provided to children, the combined total of adults and children so served being no more than 4, or more adults or children if all of the adults or all of the children are siblings; and

The private residence was licensed under s. 48.62 as a foster home for the adults specified in par. (a) at least 12 months before any of the adults attained 18 years of age.

(7) **AUTOMATIC.** Automatic as applied to a fire protective device, is one which functions without human interven-

ILHR 51.01

tion and is actuated as a result of the predetermined temperature rise, rate of rise of temperature, combustion products or smoke density such as an automatic sprinkler system, automatic fire door, automatic fire shutter, or automatic fire vent.

(7a) "Automatic fire sprinkler system", for fire protection purposes, means an integrated system of underground and overhead piping designed in accordance with fire protection engineering standards. The system includes a suitable water supply, such as a gravity tank, fire pump, reservoir or pressure tank or connection beginning at the supply side of an approved gate valve located at or near the property line where the pipe or piping system provides water used exclusively for fire protection and related appurtenances and to standpipes connected to automatic sprinkler systems. The portion of the sprinkler system above ground is a network of specially sized or hydraulically designed piping installed in a building, structure or area, generally overhead, and to which sprinklers are connected in a systematic pattern. The system includes a controlling valve and a device for actuating an alarm when the system is in operation. The system is usually activated by heat from a fire and discharges water over the fire area.

(7b) "Automatic fire suppression system" means a mechanical system designed and equipped to detect a fire, actuate an alarm and suppress or control a fire using water, water spray, foam, carbon dioxide, halogenated agent or other approved suppression agent.

(8) BALCONY (EXTERIOR). An elevated platform attached to a building and enclosed on one or more sides by railings.

(9) BALCONY (INTERIOR). An open intermediate level or stepped floor. Also see "Stories, Number of."

(10) BASEMENT. A basement floor is that level below the first or ground floor level with its entire floor below exit discharge grade.

(11) BEARING WALL. See "Wall (bearing)."

(11a) "Bed and breakfast establishment", has the meaning given in s. 50.50 (1), Stats.

Note: Section 50.50 (1), Stats., reads: "Bed and breakfast establishment" means any place of lodging that:

(a) Provides 8 or fewer rooms for rent to no more than a total of 20 tourists or transients;

(b) Provides no meals other than breakfast and provides the breakfast only to renters of the place;

(c) Is the owner's personal residence;

(d) Is occupied by the owner at the time of rental;

(e) Was originally built and occupied as a single-family residence, or, prior to use as a place of lodging, was converted to use and occupied as a single-family residence; and

(f) Has had completed, before May 11, 1990, any structural additions to the dimensions of the original structure, including by renovation, except that a structural addition, including a renovation, to the structure may, after May 11, 1990, be made within the dimensions of the original structure.

(12) BUILDING. A structure for support, shelter or enclosure of persons or property.

Note: See Appendix A for further explanatory material.

Register, January, 1994, No. 457

(13) "Building or structure" means public building or place of employment.

(14) BUTTRESS. A structural projection which is an integral part of a wall, primarily to provide resistance to lateral forces.

(15) CAVITY WALL. See "Wall (cavity)."

(15m) CEILING PROTECTION. The fire protection membrane suspended beneath the floor or ceiling construction which, when included with the construction, develops the fire-resistive rating for the overall assembly.

(16) "Cemetery authority" means any person who owns or operates a cemetery specified in s. 157.065 (1), Stats.

(16a) CERTIFIED INSPECTOR. Certified inspector means an individual certified by the department to administer and enforce this code.

(17) CLOSING DEVICE (FIRE DOOR). A closing device is one which will close the door and be adequate to latch or hold, or both, hinged or sliding door in a closed position.

(a) *Automatic*. An automatic closing device is one which functions without human intervention and is actuated as a result of the predetermined temperature rise, rate of rise of temperature, combustion products or smoke density.

(b) *Self-closing*. A self-closing device is one which will maintain the door in a closed position.

(17g) "Cfm" means cubic feet per minute.

(17m) "Code" means chs. ILHR 50 to 64.

(17n) "Column" means an upright member in a building's structural framing, having a spacing of 48 inches or greater on center, which is constructed of heavy timber with nominal cross-sectional dimensions of at least 6 inches by 8 inches, precast or load-bearing concrete, masonry, or steel, and which is used primarily to support axial compressive loads.

(18) COMBUSTIBLE CONSTRUCTION. An assembly such as a wall, floor or roof having components of combustible material.

(19) COMBUSTIBLE MATERIAL. All materials not classified as "noncombustible" are considered combustible. This property of a material does not relate to its ability to structurally perform under fire exposure. The degree of combustibility is not defined by standard fire test procedures.

(19a) "Commercial motor vehicle" means all motor vehicles other than passenger vehicles for not more than 9 passengers.

(19b) "Community-based residential facility" or "CBRF" has the meaning given in s. 50.01 (1), Stats.

Note: Section 50.01 (1), Stats., reads: "Community-based residential facility" means a place where 3 or more unrelated adults reside in which care, treatment or services above the level of room and board but not including nursing care are provided to persons residing in the facility as a primary function of the facility. "Community-based residential facility" does not include any of the following:

(a) A convent or facility owned or operated by members of a religious order exclusively for the reception and care or treatment of members of that order.

(b) A facility or private home that provides care, treatment and services only for victims of domestic abuse, as defined in s. 46.95 (1) (a), and their children.

(c) A shelter facility as defined under s. 46.97 (1) (d).

(d) A place that provides lodging for individuals and in which all of the following conditions are met:

1. Each lodged individual is able to exit the place under emergency conditions without the assistance of another individual.

2. No lodged individual receives from the owner, manager or operator of the place or the owner's, manager's or operator's agent or employe any of the following:

a. Personal care, supervision or treatment or management, control or supervision of prescription medications.

b. Care or services other than board, information, referral, advocacy or job guidance; location and coordination of social services by an agency that is not affiliated with the owner, manager or operator, for which arrangements were made for an individual before he or she lodged in the place; or, in the case of an emergency, arrangement for the provision of health care or social services by an agency that is not affiliated with the owner, manager or operator.

(e) An adult family home.

(20) CONCRETE. See "Types of Concrete," s. ILHR 51.045 (1) (a).

(21) CONSTRUCTION. Includes all labor and materials used in the framing or assembling of component parts in the erection, installation, enlargement, alteration, repair, moving, conversion, razing, demolition or removal of any appliance, device, building, structure or equipment.

(22) CORRIDOR. An enclosed passageway in a building for public ingress and egress to and from dwelling units, rooms or other areas and leading to a lobby, foyer or exit discharge.

(22a) CORRIDOR (REQUIRED EXIT). A fire-rated enclosure beginning at the end point of maximum allowable exit distance and continuing to the exit discharge door.

Note: See line 19 of Table 51.03-A.

(23) COURT. A court is an open, exterior space providing required natural light or ventilation for the building or providing a pathway for public egress from a building exit to a public thoroughfare.

(24) COURT (INNER). An inner court is a court surrounded on all sides by walls.

(25) COURT (INNER LOT LINE). An inner lot line court is a court bounded on 3 sides by walls and on the remaining side by a lot line or property line.

(26) COURT (OUTER). An outer court is a court bounded on 3 sides with walls and on the remaining side by a street, alley or other open space not less than 15 feet wide.

(27) COURT (OUTER LOT LINE). A court with one side on a lot line or property line and opening to a street or open space not less than 15 feet wide.

(28) CURTAIN WALL. See "Wall (curtain)."

(29) DEPARTMENT. Means the department of industry, labor and human relations.

(29a) "Direct vent sealed combustion chamber appliance" means a gas-fired heating appliance which is constructed and installed so that all air for combustion is brought directly from the outside atmosphere to inside the combustion chamber and all flue gases are discharged directly to the outside atmosphere and that is capable of op-

erating only when the integrity of the sealed combustion chamber is maintained.

(30) DIVISION WALL. See "Wall (division)."

(31) DUCT. Any pipe, flue, or tunnel used to convey air, gases and entrained materials. An underground duct is any part of a duct that is below the surface of the ground.

(32) DUCT FURNACE. See "Furnace (duct)."

(33) ELEVATOR. See ch. ILHR 18.

(34) EQUIPMENT. Self-contained systems and apparatus attached to or built into the building and used for mechanical or electrical processing, comfort, safety, sanitation, communication or transportation within a building.

(35) EXHAUST VENTILATING SYSTEM. See "Ventilating System (exhaust)."

(36) EXISTING. A building, structure, or equipment completed or in the course of construction or use or occupied prior to the effective date of applicable rules of this code.

(36a) "Exit" means that portion of a means of egress which is separated from all other spaces of the building or structure by construction providing a protected way of travel to the exit discharge.

(36b) "Exit access" means that portion of a means of egress which leads to an entrance to an exit.

(36c) "Exit access corridor" means an aisle or passageway in a building that forms that portion of the means of egress which leads to an exit.

(36d) "Exit access door" means any door that leads to the exit access.

(37) EXIT COURT. See "Court (exit)."

(37a) "Exit discharge" means that portion of a means of egress between the termination of an exit and a street, alley, court or a public way.

(38) EXIT DISCHARGE GRADE. See "Grade (exit discharge)."

(38a) "Exit door" means a door that leads from that portion of a means of egress known as the exit access to the outside of a building or to a required exit, such as a stairway, smokeproof tower, ramp or horizontal exit.

(38b) "Exit passageway" means a horizontal means of exit travel that is protected from a fire in a manner similar to an enclosed interior exit stair.

(39) EXIT (VERTICAL). See "Vertical Exit."

(40) EXTERIOR BALCONY. See "Balcony (exterior)."

(41) EXTERIOR WALL. See "Wall (exterior)."

(41g) "Facility where the public congregates" has the meaning given in s. 101.128 (1) (b), Stats.

Note: Section 101.128 (1) (b), Stats., defines facility where the public congregates as any of the following that has a capacity or a seating capacity of 500 or more persons:

1. An amusement facility;
2. A convention or trade hall or center;
3. A specialty event center;

ILHR 51.01

4. A sports or entertainment arena, center, or building;
5. A stadium; and
6. An airport, bus terminal, train station or other transportation center.

(41m) FACTORY. A factory is any premises wherein labor is used in manufacturing, making or altering or adapting articles for the purpose of trade or gain.

(42) FAMILY. Means 2 or more individuals who are related to each other by blood, marriage, adoption or legal guardianship. For purposes of this code a group of not more than 4 persons not necessarily related by blood or marriage, living together in a single living unit will be considered equivalent to a single family.

Note: See Appendix A for further explanatory material.

(42a) FARM OPERATION. The farm operation is the planting and cultivating of the soil and growing of farm products substantially all of which have been planted or produced on the farm premises.

Note: The farm operation, according to s. 102.04 (3), Stats., includes: the management, conserving, improving and maintaining of the premises, tools, equipment, improvements and the exchange of labor or services with other farmers; the processing, drying, packing, packaging, freezing, grading, storing, delivery to storage, carrying to market or to a carrier for transportation to market and distributing directly to the consumer; the clearing of such premises and the salvaging of timber and the management and use of wood lots thereon but does not include logging, lumbering and wood-cutting operations unless the operations are conducted as an accessory to other farm operations.

(42b) FARM PREMISES. The farm premises is defined to be the area which is planted and cultivated. The farm premises does not include greenhouses, structures or other areas unless used principally for the production of food or farm products.

(42c) FARM PRODUCTS. Farm products are defined as agricultural, horticultural and arboricultural crops. Animals considered within the definition of agricultural include livestock, bees, poultry, fur-bearing animals, and wildlife or aquatic life.

(42d) FARMING. Farming means the operation of a farm premises owned or rented by the operator.

(43) FIRE DOOR. A door so constructed as to give protection against the passage of fire.

(44) FIRE DOOR ASSEMBLY. The assembly of fire door and its accessories, including all hardware, frames, closing devices and their anchors, so constructed as to give protection against the passage of fire.

(45) FIRE DOOR CLOSING DEVICE. See "Closing Device (fire door)."

(46) FIRE RESISTANCE AND FIRE-RESISTIVE MATERIAL. Having the property to withstand fire or give protection from it. As applied to elements of building, it is characterized by the ability to confine a fire or to continue to perform a given structural function, or both.

(47) FIRE-RESISTIVE CLASSIFICATION. Fire-resistive classification is the time in hours during which a material or assembly continues to exhibit fire resistance under conditions of tests and performance as specified in ASTM E-119, ASTM E-152 and ASTM E-163.

(48) FIRE-RESISTIVE PROTECTION. An insulating material applied directly, attached to, or suspended from a structural assembly, to maintain the structural integrity of a member or system for the specified time rating.

(49) FIRE-RESISTIVE PROTECTION, DIRECTLY APPLIED. A coating material applied directly to the structural element for the purpose of fire protection.

(50) FIRE-RESISTIVE RATING. Refer to fire-resistive classification.

(51) FIRE-RETARDANT ROOF COVERINGS. Roof coverings shall be classified on the basis of protection provided against fire originating outside the building or structure on which they have been installed.

(a) Class A roof coverings are those which are effective against severe fire exposures (meeting the 3 methods for fire tests of class A roof coverings [TM Standard E-108]) and possess no flying brand hazard.

(b) Class B roof coverings are those which are effective against moderate fire exposures (meeting the 3 methods for fire tests of class B roof coverings [ASTM Standard E-108]) and possess no flying brand hazard.

(c) Class C roof coverings are those which are effective against light fire exposures (meeting the 3 methods for fire tests of class C roof coverings [TM Standard E-108]) and possess no flying brand hazard.

(52) FIRE RETARDANT — TREATED WOOD. Fire-retardant wood includes lumber or plywood that has been treated with a fire-retardant chemical to provide classifications (flame-spread [FSC] and fuel contributed [FCC]) of 25 or less by ASTM method E-84, shows no progressive combustion during 30 minutes of fire exposure by this method, and is so labeled. Fire-retardant wood for decorative and interior finish purposes provides reduced flame-spread classification (FSC) by ASTM method E-84 as specified by the code for materials used in the particular applications.

(53) FIRE WINDOW ASSEMBLY. A fire window includes glass, frame, hardware and anchors constructed and glazed to give protection against the passage of flame.

(54) FIRST FLOOR. The first floor is the primary floor used in determining the number of stories of a building.

(55) FLAME-SPREAD CLASSIFICATION. Flame-spread classification (FSC) is a comparative rating of the measure of flame-spread on a surface of a material or assembly as determined under conditions of tests and performance as specified in ASTM E-84.

(56) FLAME-SPREAD RATING. Refer to flame-spread classification.

(56a) FLOOR. The bottom or lower part of an enclosed space including any portions raised or depressed by not more than 3 feet from the designated principal level where the raised or depressed portion is treated architecturally as a part of the same principal level.

(57) FLOOR AREA. See "Area (net)."

(57a) FLOOR LEVEL. The upper surface of a floor treated architecturally as the designated principal floor at a given elevation.

(57b) "Foam plastic" means a manufactured organic material used as a building material, insulation or sound-absorbing material.

(58) FOYER. An enclosed space and passageway into which aisles, corridors, stairways, or elevators may exit and from which the public has access to exits.

(58a) "Freestanding freezer and cooler" means equipment with an aggregate floor area of less than 400 square feet used to provide a controlled environment at 50°F. or less for storing, displaying or merchandising of products. The freezers and coolers are installed in a building or structure for weather protection and do not rely upon the building or structure for lateral or vertical support, except for the floor load.

Note: Freezers and coolers which do not meet this definition are considered refrigerated facilities. See s. ILHR 51.06 (7) (a) for additional requirements.

(58b) "Freezer warehouse" means a building or structure designed and operated at a temperature of 32°F. or below and adapted to the reception and storage of goods, products and merchandise.

(59) FRONT YARD. See "Yard (front)."

(60) FUEL CONTRIBUTED CLASSIFICATION. Fuel contributed classification (FCC) is a comparative measure of the fuel contribution of a material or an assembly in the flame-spread test per ASTM E-84.

(61) FURNACE. A completely self-contained direct-fired, automatically controlled, vented appliance for heating air by transfer of heat of combustion through metal to the air and designed to supply heated air through ducts to spaces remote from the appliance location.

(62) FURNACE (DUCT). A suspended direct-fired heating appliance normally installed in air ducts. Air circulation is provided by a blower not furnished as part of the appliance.

(63) GRADE (AT BUILDING). Elevation of surface of paved or unpaved ground adjacent to wall of a building.

(64) "Grade, exit discharge" means the elevation of the finished exterior surface of paved or unpaved ground directly below any exit discharge doorsill.

(65) GRAVITY EXHAUST VENTILATION. See "Ventilation (gravity exhaust)."

(66) GROSS AREA. See "Area (gross)."

(67) GROUND FLOOR. A ground floor is that level of a building on a sloping or multilevel site which has its floor line at or not more than 3 feet above exit discharge grade for at least one-half of the required exit discharges.

(67a) HABITABLE ROOM. Any room or enclosed floor space arranged for living and/or sleeping purposes.

Note: See Appendix A for further explanatory material.

(68) HAZARDOUS PIPING. See "Piping (hazardous)."

(68a) "Health care facility" means both hospital or nursing home.

(69) HEATING SYSTEM. Any combination of building construction, machinery, devices or equipment, so proportioned, arranged, installed, operated, and maintained as

to produce and deliver in place the required amount and character of heating service.

(70) HEIGHT (BUILDING). Height of a building is measured from the average of the exit discharge grade elevation of all required first story exits to the top of a level roof or to a point ½ of the distance between the intersection of the exterior wall surface (extended) with the roof surface, and the highest part of the roof but not to include penthouses.

Note: For exceptions to penthouses see definition "Stories, Number of."

(71) HOLLOW BONDED WALL. See "Wall (hollow bonded)."

(71k) "Home occupation" means any business, profession, trade or employment conducted in a person's dwelling which may involve that person's immediate family or household and a maximum of one other unrelated person, but does not include a business involving:

1. Explosives, fireworks or repair of motor vehicles; or
2. More than 25% of the habitable floor area of the dwelling.

(71m) "Hospital" means any building, structure, institution or place used for the maintenance and operation of facilities for the diagnosis, treatment of and medical or surgical care for 3 or more nonrelated individuals hereinafter designated patients, suffering from illness, disease, injury or disability, whether physical or mental, and including pregnancy and regularly making available at least clinical laboratory services, and diagnostic x-ray services and treatment facilities for surgery, or obstetrical care, or other definitive medical treatment.

(71n) "Household" means those persons who live together in the same dwelling and treat the dwelling as their permanent home or residence.

(71o) "Housing for the elderly" means a residential occupancy building the construction of which is financed by governmental agencies with occupancy limited to people meeting specific age or disability criteria as specified by the financing agency.

(71p) INDEPENDENT INSPECTION AGENCY. Independent inspection agency means any person, firm, association, partnership or corporation, other than a municipal corporation, certified by the department to perform certified inspections under this code.

(72) INNER COURT. See "Court (inner)."

(73) INNER LOT LINE COURT. See "Court (inner lot line)."

(74) INTAKE (OUTSIDE AIR). See "Outside Air Intake."

(75) INTERIOR BALCONY. See "Balcony (interior)."

(75a) "Interior finish" means the exposed interior surfaces of buildings, including, but not limited to fixed or movable walls and partitions, columns, ceilings, and floors.

(a) "Class A interior finish" includes any material classified at 25 or less on the flame spread test scale and 450 or less on the smoke test scale in accordance with ASTM E 84.

(b) "Class B interior finish" includes any material classified at more than 25 but not more than 75 on the flame

ILHR 51.01

spread test scale and 450 or less on the smoke test scale in accordance with ASTM E 84.

(c) "Class C interior finish" includes any material classified at more than 75 but not more than 200 on the flame spread test scale and 450 or less on the smoke test scale in accordance with ASTM E 84.

(d) "Class I interior floor finish" includes any material with a minimum critical radiant flux of 0.45 watts per square centimeter as determined in accordance with ASTM E 648.

(e) "Class II interior floor finish" includes any material with a minimum critical radiant flux of 0.22 watts per square centimeter as determined in accordance with ASTM E 648.

(76) JACKETED STOVE. See "Stove (jacketed)."

(76a) "Landowner" means any person holding fee title, an easement or other interest in property which allows the person to undertake land disturbing construction activity on the property.

(76b) LIVING UNIT. Any enclosed floor space consisting of one or more habitable rooms (with or without accessory rooms) used by a person or family.

(77) LOBBY. An enclosed space into which aisles, corridors, stairways, elevators or foyer may exit and provides access to exits.

(78) LOT LINE. A legally established line dividing one lot, plot of land or parcel of land from an adjoining lot or plot of land or parcel of land.

(79) MAJOR APPARATUS. Central air-handling equipment supplying more than one occupancy or rooms and heat-producing equipment generating heat for the heating and ventilating system.

(79m) MASONRY. A construction composed of separate units such as brick, block, hollow tile, stone or approved similar units or a combination thereof, laid up or built unit by unit and bonded by approved manner.

(79r) "Mausoleum" means a building, structure or part of a building or structure that is used or intended to be used for the burial of human remains.

(80) "Mausoleum space" means a niche, crypt or specific place in a mausoleum that contains or is intended to contain human remains.

(80a) "Means of egress" means a continuous and unobstructed way of exit travel from any point in a building or structure to a street, alley, court or a public way. A means of egress consists of the exit access, the exit and the exit discharge. A means of egress includes the vertical and horizontal ways of travel and includes intervening room space, doorways, hallways, corridors, passageways, balconies, ramps, stairs, enclosures, lobbies, horizontal exits and courts.

(81) MECHANICAL VENTILATION. See "Ventilation (mechanical)."

(82) "Mezzanine" means an intermediate floor level, either open or enclosed.

Note: See also sub. (122), "stories, number of." and s. ILHR 51.02 (14) pertaining to the determination of the number of stories.

(82a) "Mini-storage building" means an unoccupied compartmentalized building used for storage.

(83) NET AREA. See "Area (net)."

(84) NONBEARING WALL. Refer to "Wall (exterior)" or "Partition."

(85) NONCOMBUSTIBLE CONSTRUCTION. An assembly such as a wall, floor or roof having components of noncombustible material.

(86) NONCOMBUSTIBLE MATERIAL. A noncombustible material is one which, in the form in which it is used, meets one of the requirements par. (a) or (b). Materials used adjacent to or in contact with heat-producing appliances, warm air ducts, plenums and chimneys shall be classified as noncombustible only on the basis of requirement par. (a). Noncombustible does not apply to the flame-spread characteristics of interior finish or trim materials. No material shall be classed as noncombustible building construction material which is subject to increase in combustibility or flame-spread classification (FSC) beyond the limits herein established through the effects of age, moisture or other atmospheric conditions.

Note: The federal trade commission does not consider ASTM E-84 as an accurate indicator of the performance of cellular plastics used in building construction under actual fire conditions, and that it is only valid as a measurement of the performance of such materials under specific, controlled test conditions. The 25 flame-spread rating is not intended to reflect hazards presented by such products under actual fire conditions. The federal trade commission considers that under actual fire conditions, such products, if allowed to remain exposed or unprotected, will under some circumstances produce rapid flame spread, quick flashover, toxic or flammable gases, dense smoke and intense and immediate heat and may present a serious fire hazard.

(a) Materials which pass the test procedure of ASTM E-136 for defining noncombustibility of elementary materials when exposed to a furnace temperature of 1,382° F. for a minimum period of 5 minutes, and do not cause a temperature rise of the surface or interior thermocouples in excess of 54° F. above the furnace air temperature at the beginning of the test and which do not flame after an exposure of 30 seconds.

(b) Materials having a structural base of noncombustible material as defined in par. (a), with a surfacing not more than 1/8 inch thick which has a flame-spread classification (FSC) not greater than 50 when tested in accordance with ASTM E-84.

(86a) "Nursing home" means any building, structure, institution or place which provides 24-hour services including board and room to 3 or more unrelated residents who because of their mental or physical condition require nursing care or personal care in excess of 7 hours a week. The term "nursing home" wherever used in chs. ILHR 50-64, includes nursing and convalescent homes, skilled nursing facilities, infirmaries in homes for the aged, and intermediate care facilities of 15 beds or more.

(87) OCCUPANCY OR USE. The purpose for which a building, structure, equipment, materials, or premises, or part thereof, is used or intended to be used as regulated in this code.

(88) OCCUPIED. Refers to any room or enclosure used by one or more persons for other than incidental maintenance.

(89) OPEN SPACES. Front (setback), rear and side yards, exit courts, outer courts, and outer lot line courts on the same property with a building as regulated by this code.

(89g) "Outdoor event" means an event held at a location generally without a permanent structure and may include organized sports games, home tours, auctions, picnics, concerts, art shows, fairs, or any similar, infrequent, short-term event.

(90) OUTDOOR OPENINGS. May be doors, windows or skylights located in outside walls or roof and can be opened to provide natural ventilation to the occupied space.

(90g) "Outdoor toilet" means either a permanently constructed toilet with a disposal cavity, or a portable toilet provided where either a public sewer is unavailable or where additional toilet fixtures are temporarily needed to meet the required number for an outdoor event.

Note: A privy may also be referred to as an outdoor toilet.

(91) OUTER COURT. See "Court (outer)."

(92) OUTER LOT LINE COURT. See "Court (outer lot line)."

(93) OUTLET (SUPPLY OPENING). An opening, the sole purpose of which is to deliver air into any space to provide heating, ventilating or air conditioning.

(93a) "Outpatient surgical facility" means a facility devoted to the performance of surgical procedures utilizing inhalation anesthetics without anticipation of the overnight stay of patients.

(94) OUTSIDE AIR. Air that is taken from outside the building and is free from contamination of any kind in proportions detrimental to the health or comfort of the persons exposed to it.

(95) OUTSIDE AIR INTAKE. Includes the ducts and outdoor openings through which outside air is admitted to a ventilating, air conditioning or heating system.

(96) PANEL WALL. See "Wall (panel)."

(97) PARTITION. A partition is an interior nonbearing vertical element serving to enclose or divide an area, room or space. Portable or demountable partitions requiring tools for installation or removal are considered partitions not furniture.

(98) PARTY WALL. See "Wall (party)."

(99) "Penthouse" means an enclosed or partially enclosed structure extending above a roof of a building or structure and enclosing a stairway, tank, elevator, machinery, mechanical equipment or other apparatus and not used for human occupancy.

(100) PIER. An isolated column of masonry or concrete. A section of bearing wall not bonded on the sides into adjoining masonry shall be considered to be a pier when its horizontal dimension measured at right angles to the thickness does not exceed 4 times the thickness.

(101) PILASTER. A projection of masonry for the purpose of bearing concentrated loads, or to compensate for reduction of wall section by chases, openings or recesses, or for

the purpose of stiffening the wall against lateral forces. (See also "Buttress.")

(102) PIPING (HAZARDOUS). Any service piping conveying oxygen, flammable liquids, flammable gases or toxic gases.

(102a) "Place of abode" means a residential building or part of a residential building used as follows:

(a) Occupied as a residence of 3 or more families living independently or occupied by 2 such families and used also for business purposes; or

(b) Occupied for sleeping or lodging purposes by 3 or more persons not members of the same family.

Note: Examples of places of abode include but are not limited to apartment buildings, garden apartments, row houses, town houses, condominiums, hotels, motels, rooming houses, dormitories, convents, monasteries, homes for the aged and certain community-based residential facilities.

(102b) PLACE OF EMPLOYMENT. The term "place of employment" includes every place, whether indoors or out or underground and the premises appurtenant thereto where either temporarily or permanently any industry, trade or business is carried on, or where any process or operation, directly or indirectly related to any industry, trade or business, is carried on, and where any person is, directly or indirectly, employed by another for direct or indirect gain or profit, but does not include any place where persons are employed in a) private domestic service which does not involve the use of mechanical power or b) farming.

(103) PORCH. An unenclosed exterior structure at or near grade attached or adjacent to the exterior wall of any building, and having a roof and floor. (See also "Terrace" and "Balcony.")

(103g) "Privy" has the meaning given in s. ILHR 83.02 (42).

Note: Section ILHR 83.02 (42) defines a privy as a structure, not connected to a plumbing system, which is used by persons for the deposition of human body wastes.

(104) "Property line" means the following:

(a) A legally established line dividing one lot, plot of land or parcel of land from an adjoining lot or plot of land or parcel of land; or

(b) A permanent easement recorded with the county register of deeds, on file with the department, on adjoining property providing control over the property eased.

(104a) "Public building" has the meaning given in s. 101.01 (2) (g), Stats.

Note: Section 101.01 (2) (g), Stats., reads "Public building" means any structure including exterior parts of such building, such as a porch, exterior platform or steps providing means of ingress or egress, used in whole or in part as a place of resort, assemblage, lodging, trade, traffic, occupancy, or use by the public or by 3 or more tenants. When used in relation to building codes, 'public building' does not include a previously constructed building used as a community-based residential facility as defined in s. 50.01 (1g) which serves 20 or fewer unrelated residents or an adult family home certified under s. 50.032 (1) (b)."

(104m) "Public mausoleum" means a mausoleum that holds or is intended to hold the remains of more than 10 humans or a mausoleum in which at least one mausoleum space is offered for sale to the general public.

(105) PUBLIC THOROUGHFARE. Any legally established street or alley as defined herein.

(105a) REMODELING. To remodel or alter, or both, means to change any building or structure which affects the structural strength, fire hazard, internal circulation, or exits of the existing building or structure. This definition does not apply to maintenance, reroofing, or alterations to the heating and ventilating or electrical systems.

(105e) "Recyclable material" means solid waste material prohibited for land disposal and incineration, that is separated, temporarily stored and collected. These materials include, but are not limited to, aluminum and glass containers, corrugated paper or container board, magazines, newspapers, office paper, foam polystyrene packaging, and plastic or steel containers.

(106) REQUIRED. A term for mandatory use under the provisions of this code.

(106a) REQUIRED EXIT CORRIDOR. See "Corridor (Required Exit)."

(107) RESTRAINED SUPPORT. A flexural member where the supports or the adjacent construction, or both, provides complete or partial restraint against rotation of the ends of the member or partial restraint against horizontal displacement, or both, when subject to a gravity load or temperature change, or both.

(108) RETAINING WALL. See "Wall (retaining)."

(109) RETURN (OR EXHAUST OPENING). Any opening, the sole purpose of which is to remove air from any space being heated, ventilated or air conditioned.

(110) ROADWAY. That portion of a public thoroughfare devoted to vehicular traffic, or that part included between curbs.

(111) ROOF. The structural cover of a building with a slope range bearing from horizontal to a maximum of 60° to the horizontal.

(112) ROOF COVERING. Refers to the covering applied over the roof construction for the purpose of weather or fire resistance.

(113) ROOF COVERINGS (FIRE-RETARDANT). See "Fire-Retardant Roof Coverings."

(114) ROOM. A space within a building completely enclosed with walls, partitions, floor and ceiling, except for openings for light, ventilation, ingress and egress.

(114a) "Rowhouse" means a place of abode not more than 3 stories in height, arranged to accommodate 3 or more attached, side by side or back to back living units.

(115) "Setback" means the distance between the property line or public thoroughfare, and the nearest part of the building, as measured perpendicular to the bisector of the angle formed by the intersection or projected intersection of the building face with the property line or another building face.

Note: See Appendix A for further explanatory material.

(116) SHAFT. A vertical opening in a building extending through one or more stories and/or roof, other than an inner court.

(117) SHALL. A term for mandatory use under the provisions of this code.

(117m) "Shelter facility" has the meaning given in s. 46.97 (1) (d), Stats.

Note: Section 46.97 (1) (d), Stats., reads: "Shelter facility means a temporary place of lodging for homeless individuals or families."

(118) SIGNS. A structure that is intended, designed, or used for advertising, display, identification, announcements, or related purposes; this includes signs, screens, billboards, and other advertising devices of any type.

(119) SIMPLE SUPPORT. A flexural member where the supports or the adjacent construction, or both, allows free rotation of the ends of the member and horizontal displacement when subject to a gravity load or a temperature change, or both.

(119a) "Sleeping area" means the area of residential buildings in which bedrooms or sleeping rooms are located. Bedrooms or sleeping rooms separated by other use areas such as kitchens or living rooms, but not bathrooms, are considered as separate sleeping areas. Each individual room or suite of rooms in hotels, motels, dormitories or congregate living facilities is considered a separate sleeping area.

(119b) "Smoke detector" means a device which detects particles or products of combustion other than heat.

(119c) "Solid-fuel equipment" means equipment burning solid rather than gas or liquid fuel.

Note: Typical solid fuels are coal and wood.

(120) "Space heater" means a fuel-fired vented, self-contained free-standing or wall recessed heating appliance.

(120a) "Spandrel" means that portion of wall filling the space between the top of a window in one story and the sill of the window in the story above.

(120am) "Specialty event center" has the meaning given in s. 101.128 (1) (g), Stats.

Note: Section 101.128 (1) (g), Stats., defines specialty event center as an open arena used for rallies, concerts, exhibits, or other assemblies with no permanent structure for such assembly. Also refer to sub. (89g) for definition of an outdoor event.

(120b) "Step" means one riser and one tread.

(121) STORIES, NUMBER OF. The number of stories of a multistory building includes all stories except the basement, ground floor, attic or interior balcony and mezzanine floor. (Also see s. ILHR 51.02 (14).)

Note: See Appendix A for further explanatory material.

(122) STORY. The space in a building between the surfaces of any floor and the floor next above or below, or roof next above, or any space not defined as basement, ground floor, mezzanine, balcony, penthouse or attic. (Also see "Stories, Number of.")

(124) "Street" means any legally established public thoroughfare or all-weather hard surface area 30 feet or more in width whether designated or not by name or number such as avenue, boulevard, circle, court, drive, lane, place, road or way. Streets must extend at least 50% of the length of the side of the building and must be accessible to fire fighting equipment.

(125) STRUCTURE. A structure is an assembly of materials forming a construction for occupancy or use meeting the definition of place of employment or public building.

Note: Structures include, among others, buildings, stadiums, tents, reviewing stands, observation towers, radio and television towers, water tanks, piers, wharves, shelters, canopies, and display signs.

(125m) "Stud" means an upright member of a framing wall, having a spacing of less than 48 inches on center, and which is primarily intended to have sheathing fastened to it.

(126) SUPPORT (RESTRAINED). See "Restrained Support."

(127) SUPPORT (SIMPLE). See "Simple Support."

(128) TEMPERED AIR. Air transferred from heated area of building.

(129) TEMPERED OUTSIDE AIR. Outside air heated before distribution.

(130) TERRACE. An unenclosed exterior structure at or near grade having a paved, floored, or planted platform area adjacent to an entrance or to the exterior walls for a building or structure and having no roof.

(130g) "Toilet room" means a room in a permanent structure solely designated for sanitary fixtures which ensures privacy of their use. A toilet room may include a water closet, urinal and a lavatory.

(130m) "Townhouse" means an apartment building where each living unit is served by an individual exterior exit within 3 feet of the exit discharge grade.

(131) TREATED WOOD (FIRE-RETARDANT). See "Fire Retardant-Treated Wood."

(132) UNIT HEATER (HIGH STATIC PRESSURE TYPE). A direct-fired suspended or floor standing, self-contained, automatically controlled and vented, heating appliance having an integral means for circulation of air against 0.2 inch or greater static pressure.

(133) UNIT HEATER (LOW STATIC TYPE). A direct-fired suspended, self-contained automatically controlled, vented heating appliance, having integral means for circulation of air by means of a propeller fan or fans.

(134) VENEERED WALL. See "Wall (veneered)."

(135) VENTILATING SYSTEM (EXHAUST). Any combination of building construction, machinery, devices or equipment, designed and operated to remove harmful gases, dusts, fumes or vitiated air, from the breathing zone of employees and frequenters.

(136) VENTILATION. The process of supplying or removing air by natural or mechanical means, to or from any space.

(137) VENTILATION (GRAVITY EXHAUST). A process of removing air by natural means, the effectiveness depending on atmospheric condition, such as difference in relative density, difference in temperature or wind motion.

(139) VERTICAL EXIT. A means of egress used for ascension or descension between 2 or more floors, or other levels, and shall include approved exterior stairways, automatic (moving) stairways, fire escapes, ramps, stairways, and smokeproof stair towers.

(139a) VOLUME (TOTAL). The "total volume" (cube or cubage) of a building is the actual cubic space enclosed within the outer surfaces of the outside or enclosing walls and contained between the outer surfaces of the roof and the underside of the lowest floor. The volume of structures without enclosing walls (canopies, roofed shelters and similar structures) will be computed by projecting imaginary vertical planes as the enclosing walls at the outer surface of the exterior supports or columns. For cantilevered structures with interior supports, the imaginary vertical planes will be projected at the farthest roof projection or overhang.

Note: The definition of total volume requires the cube of dormers, pent-houses, vaults, pits, enclosed porches and other enclosed appendages to be included as a part of the cube of the building. It does not include the cube of courts or light shafts, open at the top, or the cube of outside steps, cornices, parapets, or open porches or loggias.

(140) WALL. A structural element which is vertical or within 30° of vertical, serving to enclose space, form a division, or support superimposed weight.

(141) WALL (BEARING). Any wall which supports a load in addition to its own weight.

(142) WALL (CAVITY). A wall built of masonry units or of plain concrete, or a combination of these materials, so arranged to provide an air space within the wall, and in which the facing and backing (inner and outer parts) of the wall are tied together with metal ties.

(143) WALL (CURTAIN). An exterior nonbearing wall.

(144) WALL (DIVISION) (a) Building division. A wall used for separation between 2 buildings on the same property identical in construction to a party wall.

Note: See Appendix A for further explanatory material.

(b) Fire division. A wall extending from the lowest floor level to or through the roof to restrict the spread of fire.

(145) WALL (EXTERIOR). Any outer enclosing wall of a building or structure.

(146) WALL (FRAMING). Wall framing shall include columns, studs, beams, girders, lintels and girts.

(147) WALL (HOLLOW BONDED). Wall built of masonry units with or without any air space within the wall, and in which the facing and backing of the wall are bonded together with masonry units.

(148) WALL (NONBEARING EXTERIOR). Wall which supports no vertical load other than its own weight.

(148a) WALL (NONBEARING INTERIOR). See "Partition."

(149) WALL (PANEL). An exterior nonbearing wall in skeleton construction.

(150) WALL (PARAPET). That part of a wall entirely above the roof line.

(151) WALL (PARTY). Walls used for separation between 2 buildings on the property line between adjoining properties.

Note: See Appendix A for further explanatory material.

(152) WALL (RETAINING). Wall used to resist laterally imposed pressures.

(153) **WALL (VENEERED).** Wall having facing which is attached to the backing but not so bonded as to exert common action under load.

(153a) **WAREHOUSE.** A warehouse is a place adapted to the reception and storage of goods and merchandise.

(154) **YARD (FRONT).** An open, unoccupied space unobstructed to the sky, extending across the full width of a lot, or plot of land between the street line and the base of a front building wall. Unenclosed terraces, slabs or stoops without roofs or walls may project into this open space.

History: Cr. Register, June, 1972, No. 198, eff. 1-1-73; renum. (1) to be (1a), r. and recr. (10), (64), (67) and (121), cr. (1), (5a), (22a), (56a), (57a), (67a), (76a), (106a) and (148a), Register, September, 1973, No. 213, eff. 10-1-73; cr. (102a), (104a) and (105a), Register, December, 1974, No. 228, eff. 1-1-75; cr. (7a), (41a), (139a) and (153a) and am. (125), Register, December, 1976, No. 252, eff. 1-1-77; cr. (42a), (42b), (42c), (42d), and (120a), am. (139a), Register, December, 1977, No. 264, eff. 1-1-78; am. (23) to (26), (97) and (139a), r. (86) (c), Register, December, 1978, No. 276, eff. 1-1-79; cr. (16a), (71a), (79a) and (114a), Register, May, 1980, No. 293, eff. 6-1-80; am. (1) and (124), r. (123), r. and recr. (120), renum. (102a) to be (102b), renum. (114a) to be (114b), cr. (19a), (36a), (36b), (36c), (37a), (38a), (38b), (71b), (75a), (80a), (82a), (102a), (114a), (119a), (119b), (119c) and (130a), Register, December, 1981, No. 312, eff. 1-1-82; renum. (71a) to be (71c), cr., (68a), (71a), (86a) and (93a), Register, February, 1982, No. 314, eff. 3-1-82; r. and recr. (7a), renum. (19a) to be (19b), cr. (7b) and (19a), Register, June, 1983, No. 330, eff. 7-1-83; renum. (120a) to be (120b), cr. (3a), (57b), (58a), (58b) and (120a), r. and recr. (13), am. (86) (a), (104) and (120), Register, December, 1983, No. 336, eff. 1-1-84; am. (7b), Register, February, 1984, No. 338, eff. 3-1-84; cr. (5b), (11a) and (29a), am. (75a) and (99), r. and recr. (104) and (114a), Register, August, 1985, No. 356, eff. 1-1-86; reprinted to correct error in (99), Register, May, 1988, No. 389; am. (5), (5b), (33) and (99), renum. (36c), (71a) to (71c) to be (36d), (71m), (71o) and (71p) and am. (71o), cr. (6m), (17g), (17m), (36c), (71k), (71n) and (117m), r. and recr. (11a), (19b) and (82), r. (114b) and (138), Register, February, 1991, No. 423, eff. 4-1-91; renum. (16) and (80) to be (15m) and (79m), cr. (16), (79r), (80) and (104m), Register, March, 1992, No. 435, eff. 4-1-92; cr. (105e), Register, October, 1992, No. 442, eff. 5-1-93; cr. (2m), (41g), (89g), (90g), (103g), (120am) and (130g); renum. (41a) and (130a) to be (41m) and (130m), Register, August, 1993, No. 452, eff. 3-1-94; cr. (17n) and (125m), am. (64), (76a) (a) to (e), (82), (86) (b) and (104) (b), r., and recr. (82a), (104a), (115) and (120b), Register, January, 1994, No. 457, eff. 2-1-94; r. (79a), Register, March, 1995, No. 471, eff. 4-1-95; renum. (76a) to be (76b), cr. (76a), Register, August, 1995, No. 476, eff. 9-1-95.

Standards for Classes of Construction

ILHR 51.015 Scope. This chapter covers minimum standards for common types of building designs being constructed. This chapter does not specifically include standards for uncommon building designs such as shells, domes, space frames, inflatable and similar types of designs. The standards contained in this chapter shall be used as a guide for uncommon building designs to achieve the degrees of safety intended by these standards.

History: Cr. Register, June, 1972, No. 198, eff. 1-1-73; renum. Register, September, 1973, No. 213, eff. 10-1-73; am. Register, January, 1994, No. 457, eff. 2-1-94.

ILHR 51.02 General requirements. (1) FIRE-RESISTIVE RATINGS. The fire-resistive ratings shown in "Classes of Construction" Table 51.03-A are to satisfy the structural integrity end point for the time specified. For heat transmission end point requirements see s. ILHR 51.042 (5).

(2) **SUBSTITUTE.** Substitution of a building element fire-resistive rating will be permitted in any class of construction providing it is equal to or better than the required fire-resistive rating as specified in Table 51.03-A.

(a) Construction requiring the use of noncombustible material shall not be replaced by combustible construction regardless of fire-resistive rating unless mentioned specifically under classes of construction standards.

Register, August, 1995, No. 476

(b) Noncombustible construction may be substituted for combustible construction provided the fire-resistive rating indicated in Table 51.03-A is equal to or better than that noted for combustible construction.

Note: See ILHR 64.41 (1) for requirements pertaining to combustible ceiling materials used in conjunction with air-handling plenums.

(c) Fire-retardant treated wood exposed to high humidity or accelerated weathering shall be pressure impregnated and so identified. Subsequent to treatment, lumber 2 inches or less in thickness shall be dried to a moisture content of 19% or less, and plywood to a moisture content of 15% or less.

Note: The department will accept fire-retardant treated lumber and plywood which meet the standards of the American Wood Preservers Association, "Fire-Retardant Treatment by Pressure Processes," and ASTM D 2898, "Standard Methods of Test for Durability of Fire-Retardant Treatment of Wood."

(3) **FLOOR FRAMING.** (a) *General.* All floor framing shall satisfy the requirements of Table 51.03-A, unless more restrictive requirements are noted under the occupancy chapters of this code.

(b) *Permanent raised platforms.* 1. Permanent raised platforms shall be constructed of the types of materials and fire resistive properties as specified in:

a. Table 51.03-A line 3 or 4 for the appropriate class of construction and number of stories involved; or

b. Table 51.03-A line 18 for the appropriate class of construction, if the platform is directly supported by a structural floor system which satisfies the appropriate material and fire resistive properties as outlined in Table 51.03-A line 3 or 4.

2. Permanent raised platforms shall be designed and constructed to support the dead loads and live loads as specified in ss. ILHR 53.10 and 53.11.

3. The highest floor level of a permanent raised platform which is constructed in accordance with subd. 1. b. may not be more than 3 feet above the structural floor.

4. The floor coverings of permanent raised platforms shall conform with s. ILHR 51.07.

5. Spaces created between a permanent raised platform which is constructed in accordance with subd. 1. b. and the structural floor system supporting the platform may not be used for storage and other purposes, unless the platform floor system has at least a one-hour fire resistive rating.

6. Open sides of raised platforms shall be guarded in accordance with s. ILHR 51.162.

(c) *Temporary platforms.* Temporary raised platforms may be provided and shall be designed and constructed to support the dead loads and live loads as specified in ss. ILHR 53.10 and 53.11. A temporary raised platform to be used for more than 30 consecutive days shall conform with par. (b), the requirements for permanent raised floors.

(4) **EXTERIOR WALL CONSTRUCTION.** (a) All exterior walls which are in contact with the soil shall be of masonry or concrete except that all-weather wood foundations are permitted if constructed in accordance with the provisions outlined in s. ILHR 53.64.

(b) Exposed exterior walls between the first floor structural system and grade shall be of masonry or concrete except as follows:

1. Walls may be constructed of material other than masonry or concrete providing the following conditions are satisfied:

a. The construction shall meet the requirements of Table 51.03-A for specified class of construction.

b. In buildings where the class of construction permits exterior walls to be of combustible construction, no floor level that is more than one level below the first floor framing system may have exterior walls constructed of combustible materials.

(c) 1. Except as provided in subd. 2., fenestration in-fill panels in the exterior walls of existing buildings of types 1, 2, 3, 5A and 5B construction meeting the percentage of openings requirements of Table 51.03-B shall be of noncombustible construction.

2. a. The studding and structural framework may be of fire retardant treated wood.

b. The interior finish of the in-fill panel may be of combustible materials providing the materials comply with the provisions of s. ILHR 51.07.

c. Foam plastic insulation complying with the provisions of s. ILHR 51.06 may be used in the construction of the in-fill panels provided the foam plastic is protected on both sides by an approved thermal barrier as specified in s. ILHR 51.06 (3).

3. In-fill panels located in exterior walls required to have a fire-resistive rating need not be constructed to provide the hourly rating provided the panels satisfy the requirements of this section.

4. The exterior finish of the in-fill panel shall comply with the requirements of Table 51.03-A for the class of construction of the building in which the panel is located except that the exterior finish of in-fill panels located in buildings of types 5A or 5B construction need not be of masonry.

(5) INTERIOR WALL CONSTRUCTION. (a) Openings in partitions and interior bearing walls shall be protected if such walls serve as required building division, fire division or fire separation walls.

1. Openings shall be protected by approved fire door or fire window assemblies as specified in ss. ILHR 51.047 and 51.048, or fire damper or fire curtain door assemblies as specified in s. ILHR 64.42.

Note: Openings in walls other than those specified above need not be protected except to satisfy structural integrity end point for the time specified.

(7) BUILDING LOCATIONS. (a) When the distance between buildings located on the same property is less than 10 feet, the following shall apply:

1. Where the combined gross area for these buildings, including the area between buildings, is less than that allowable for one building, the exterior wall shall satisfy minimum requirements listed for class of construction in Table 51.03-A.

a. Buildings classified as wood frame under s. ILHR 51.03 (7) or (8) shall have exterior walls with a fire-resistive rating of not less than that required for these buildings when satisfying the 10 feet to 30 feet distance to property line shown in Table 51.03-A.

2. Where the combined gross area for these buildings, including the area between buildings, is greater than that allowable for one building, one of the opposing walls shall be not less than a 4-hour fire-resistive rated fire division wall or building division wall, whichever applies. Where buildings are of different classes of construction, the lesser allowable gross area shall apply.

(b) Buildings on the same property may be located less than 30 feet from each other with no restriction on the percentage of wall openings, provided the combined gross area of the buildings, including the area between the buildings, is no more than the area permitted by the occupancy chapters of this code.

(8) INTERIOR BALCONY OR MEZZANINE. Interior balconies or mezzanine floors shall have fire-resistive ratings as required for the story in which it is located.

(9) IMBEDDED MATERIAL. (a) *Structural members.* Pipes, wires, cables, ducts or other service equipment shall not be imbedded in the required fire-resistive protection of any structural member.

(b) *Assemblies.* Pipes, wires, cables, metallic ducts or other service equipment may be imbedded or installed:

1. As permitted in approved fire-rated assemblies; or

2. In fire-resistive assemblies of 2-hour rating or less in buildings of Types No. 4 to 8 construction. The pipe, wire, cable, metallic duct or other service equipment shall be contained within the fire-resistive rated assembly.

(10) EXPOSED EXTERIOR STRUCTURAL COLUMNS AND FRAMING. The required fire-resistive hourly rating may be omitted on noncombustible columns and framing when the building does not exceed 2 stories and the fire separation to the center of a street, or to the property line or buildings on the same property, is greater than 30 feet.

(11) PROTECTION OF VERTICAL OPENINGS. (a) Except as specified in ss. ILHR 54.08, 55.09, 57.08 and in par. (b), stairways, elevator shafts and other vertical openings, which serve 2 or more floor levels, shall be enclosed with fire-resistive rated construction equal to or better than the hourly ratings specified in Table 51.03-A. Stairways serving as required means of egress shall comply with the requirements specified in s. ILHR 51.18.

(b) *Exceptions.* Vertical openings need not be enclosed under the following conditions:

1. Serving and contained within individual living units;

2. Serving raised or depressed areas, open mezzanines or open balconies contained within a single story;

3. Serving 2 floor levels in buildings containing chs. ILHR 54 to 58 or 60 to 62 occupancies provided:

a. The opening is not a required means of egress; and

b. The opening is separated from any exit access corridor or exit stairway by fire-resistive rated construction

ILHR 51.02

with at least the hourly rating specified for fire-rated enclosures in line 20 of Table 51.03-A; or

4. As permitted by chs. ILHR 54 through 62.

(c) Openings in required exit enclosures shall be limited to exit doors serving public passageways and corridors or serving floors occupied by a single tenant.

(12) **PARAPET WALLS.** (a) Parapet walls shall be provided on exterior walls closer than 10 feet to a property line or to other buildings on the same property except as exempted under subd. 4. Parapet walls shall satisfy the following requirements:

1. Parapets shall not be less than 2 feet in height;
2. The minimum thickness of masonry parapets shall be 8 inches;
3. Parapets shall have fire-resistive ratings as specified for exterior walls in Table 51.03-A; and
4. Parapets are not required on exterior walls which front streets and alleys or where exterior walls connect with roofs of noncombustible construction. For the purposes of this requirement, built-up roof coverings of a class A rating, shall be considered as being noncombustible.

(b) All parapet walls shall be properly coped with noncombustible weatherproof material.

(13) **FIRE DIVISION WALLS.** (a) Fire division walls shall have not less than a 4-hour fire-resistive rating as specified in s. ILHR 51.04 and shall comply with one of the following conditions:

1. a. Except as provided in subpar. b, the fire division wall shall extend 3 feet above the roof. Where a difference in roof elevations occurs at the fire division, the parapet height shall be measured from the lower roof elevation.

b. Where a difference in roof elevations occurs at the fire division wall in buildings of Type No. 4 construction with combustible exterior walls, Type No. 7 or No. 8 construction, the fire division wall shall extend above the lower roof to the high roof elevation and shall be unperforated. In all cases, the fire division wall shall extend at least 3 feet above the lower roof elevation.

2. The wall shall connect and make tight contact with roof decks of at least 2-hour fire-resistive noncombustible construction on both sides of the wall; or

3. The wall shall connect and make tight contact with roofs of noncombustible construction on both sides of the walls, and the roofs shall be noncontinuous at the wall. For the purposes of this requirement, built-up roof coverings, including those of a class A rating, shall be considered as being combustible and do not conform with the conditions of this requirement.

(b) Structural members shall not continue through or over the fire wall.

(c) 1. All openings in fire division walls shall be protected by fire-resistive door assemblies as specified in s. ILHR 51.047.

2. The total area of all openings in any fire division wall in any one story shall not exceed 25% of the area of the wall in that story.

Register, March, 1995, No. 471

(14) **DETERMINATION OF NUMBER OF STORIES.** For purposes of establishing the maximum allowable stories in the various classes of construction stated in s. ILHR 51.03, the number of stories shall be determined on the following basis:

Note: See Appendix A for further explanatory material.

Note: See ch. ILHR 69 for definition of "story" relative to accessibility issues.

(a) The first floor shall be determined first and this level shall satisfy the following conditions:

1. Is the lowest floor having one or more required exits for that floor and for any floor above or below; and

a. If condition stated in subd. 1. is not satisfied, the highest floor level shall be considered the first floor.

2. a. The elevation of the first floor and the sills of all required exit discharges from the first floor shall be not more than 6 feet above an exit discharge grade.

b. Existing buildings to be licensed as child day care centers or to be converted to sheltered facilities for battered women shall comply with the requirements specified in ss. ILHR 57.015 and 60.105.

(b) An interior balcony or mezzanine shall be considered as a story if:

1. The net floor area of the balcony or mezzanine exceeds one-third of the net main area enclosed within exterior walls or fire division walls, or both; or

2. The net floor area of the balcony or mezzanine exceeds one-third of the net floor area enclosed with the walls of a single living unit or single tenant space.

(c) Penthouse with a total area that exceeds 50% of the total roof area shall be counted as a story.

(d) Total number of stories shall include the first floor plus all stories above and those stories determined by pars. (b) and (c).

1. Floor levels satisfying the definition of basement, ground floor, attic, interior balcony and mezzanine floor, unless otherwise stated, shall not be counted as a story.

(15) **DECORATIVE COMBUSTIBLE MATERIALS.** Any combustible materials applied to a required noncombustible exterior surface of "0" hourly rated construction or better shall not exceed the surface area percentage specified in Table 51.02, within any 100 lineal feet of the building.

TABLE 51.02

Separation of Building From Property Line or Other Buildings ¹	Maximum Surface Area Percentage ²
Less than 10 feet	0
10 to 20 feet	10
20 to 30 feet	20
More than 30 feet	30

Footnotes to Table 51.02

1. The maximum surface area percentage along a street is 30, regardless of the separation.

2. Fire-retardant treated wood may be applied to all required noncombustible exterior surfaces of "0" hourly rated construction without limit.

(16) PROJECTIONS INTO SETBACKS. (a) Unenclosed terraces, slabs or stoops, without roofs or walls, may be located within required setbacks providing they are not greater than 7 inches above adjacent grade at any point and are in contact with the ground to prevent an exposed cavity which could promote fire or smoke. Grade changes from these appendages shall be of a gradual slope.

(b) Open cantilevers, including but not limited to roof overhangs and eaves, may project 2 feet into the required setback from property lines. These cantilevers shall not project into the required setbacks between buildings on the same property.

(c) Enclosed or partially enclosed appendages, including but not limited to decks, porches or ramps, shall not project into the required setbacks from property lines or buildings on the same property.

(18) ACCESS TO ATTIC AND ROOF. (a) *Attic.* Every attic compartment shall be provided with access from the floor level immediately below it. The access opening shall be at least 20 by 30 inches and shall be located above the stair landing or in an accessible location.

Note: A single access point to the attic from the floor level immediately below will be acceptable if all the attic compartments are interconnected with access openings of at least 20 by 30 inches.

(b) *Roof.* 1. Except as provided in subd. 2., all buildings more than 2 stories, or 25 feet in height, where the slope of the roof is less than 3 in 12, shall be provided with a means of access to the main roof from the floor level immediately below. The roof opening shall be at least 20 by 30 inches and shall be provided with a permanent ladder or stairway.

2. Roof access shall not be required in 3 story buildings without attic space.

(19) ATTIC COMPARTMENTALIZATION. (a) Except as provided in par. (b), attics of combustible construction shall be divided into areas not greater than 3,200 square feet by firestopping as specified in s. ILHR 53.63 (1) (d).

1. Compartmentalization shall extend into the eave and soffit areas to provide a complete separation between compartments.

2. Panels for access openings in compartment walls shall be equipped with self-closing devices and shall normally be kept closed.

(b) Attic compartmentalization need not be provided in buildings completely protected, including the attic space, by an automatic fire sprinkler system.

(20) CLASS OF CONSTRUCTION SEPARATION. (a) Except as provided in par. (b) and s. ILHR 62.93, portions of buildings of different classes of construction, as specified in s. ILHR 51.03, shall be separated by fire division walls as specified in s. ILHR 51.02 (13) or the building classification will be reduced to the lowest class of construction utilized.

(b) A health care facility, parts of which are different types of construction as described in s. ILHR 51.03, shall be classified as the lowest type of construction utilized, unless the different parts of the building are separated from one another by a separation wall in which case each

part of the building shall be individually classified as to the appropriate type of construction. A separation wall:

1. Shall have a minimum fire-resistive rating of 2 hours;
2. Shall extend at least to the underside of the roof deck of the lowest part of the building to be separated; and
3. May not have structural members extend through or over it.

(21) HEIGHT LIMITATIONS. (a) Except as provided in par. (b), the height of buildings shall be limited as specified in the appropriate occupancy chapter for the building and as specified in s. ILHR 51.03 and Table 51.03-A for the class of construction utilized.

(b) The height limitations specified in s. ILHR 51.03 may be increased by one story and 10 feet in height in buildings, other than buildings within the scope of chs. ILHR 58, 60 and 61, when the building is completely protected by an automatic fire sprinkler system and the system is supervised and monitored as specified in s. ILHR 51.23 (9).

Note: See chs. ILHR 54 to 61 for specific application of height increases. Tables 54.01-2, 57.02-3 and 59.12-2 already include the one story height increase.

(22) FIRE RESISTIVE RATINGS. (a) Except as provided in par. (b), the fire resistive ratings specified in chs. ILHR 50 to 64 may be reduced in rating by one hour to a minimum of one hour in all buildings which are completely protected by an automatic fire sprinkler system and the system is supervised and monitored as specified in s. ILHR 51.23 (9).

(b) The fire resistive rating may not be reduced for the following:

1. The fire-resistive ratings specified in ch. ILHR 58;
2. The fire-resistive ratings specified for stairway enclosures in buildings more than 3 stories in height;
3. The fire-resistive ratings for buildings more than 60 feet in height; and
4. The fire-resistive ratings for buildings where increases in building area or building height due to automatic fire sprinkler system protection have been utilized.
5. The fire-resistive rating for elevator machine rooms shall not be reduced from the 2 hour fire-resistive rating as specified in ch. ILHR 18.

(23) WOOD BLOCKING IN NONCOMBUSTIBLE RATED ASSEMBLIES AND ROOF ASSEMBLIES. Combustible wood blocking may be installed:

(a) At the intersection of roofs with exterior walls or parapet walls to fasten roof edging, roof membranes, facias and roofing expansion joints; and

(b) In noncombustible rated wall assemblies to fasten window frames, door frames, sinks, toilets and urinals, toilet partitions, grab bars, book shelves, and other similar components. In these applications, the amount of wood blocking shall not exceed that required to secure or fasten the item to the assembly.

History: Cr. Register, June, 1972, No. 198, eff. 1-1-73; r. (9) and (10), renum. (3) to be (4), (4), (5), (6), (7), (8) to be (6), (7), (8), (9), (10), am. (2) (a) cr. (3), (5), (11), (12), (13) and (14), Register, September, 1973, No. 213, eff.

Register, March, 1995, No. 471

ILHR 51.02

10-1-73; am. (14) (d), Register, February, 1974, No. 218, eff. 3-1-74; r. and recr. (12) (a); am. (13) (c), Register, May, 1974, No. 221, eff. 6-1-74; cr. (11) (c) and (15), Register, July, 1974, No. 223, eff. 8-1-74; cr. (16) and (17), Register, December, 1974, No. 228, eff. 1-1-75; am. (5) (a) 1 and (14) (e) 1, cr. (18), Register, December, 1975, No. 240, eff. 1-1-76; am. (16) (b), Register, July, 1976, No. 247, eff. 8-1-76; cr. (2) (c), Register, December, 1976, No. 252, eff. 1-1-77; am. (15) and cr. (19), Register, December, 1977, No. 264, eff. 1-1-78; r. (16) and (17), Register, May, 1978, No. 269, eff. 7-1-78; am. (4) (a), (18) and (19), cr. (15) (a) and (20), Register, December, 1978, No. 276, eff. 1-1-79; am. (11) (a) and (c) (intro.), (13) and (19), r. and recr. (6) (b), Register, January, 1980, No. 289, eff. 2-1-80; r. and recr. (11), am. (14) (a) 2., r. (14) (a) 3., Register, December, 1981, No. 312, eff. 1-1-82; reprinted to correct error in (14) (a) 2., Register, February, 1982, No. 314; am. (11) (a) and (19), Register, October, 1982, No. 322, eff. 11-1-82; cr. (4) (c) and (13) (c), r. (6), am. (11) (b) 3., (14) (a) 2. and (20), Register, December, 1983, No. 336, eff. 1-1-84; am. (4) (c) 2. c., (9), (11) (b) 3., (13) (c) 2., (14) (b) and (18) (b), r. and recr. (13) (a) 1., Register, August, 1985, No. 356, eff. 1-1-86; emerg. cr. (21) and (22), eff. 9-6-86; cr. (21) and (22); Register, November, 1986, No. 371, eff. 12-1-86; am. (3) (a), (12) (a) 4., (13) (a) 3., cr. (3) (c) and (d), r. (4) (b) 1. b. and (14) (d), r. and recr. (11) (b) 3., (14) (a) 2. a., (b) and (20) (b), renum. (14) (e) to be (14) (d) and am., Register, February, 1991, No. 423, eff. 4-1-91; renum. (3) (a), (c) and (d) to be (a), (b) and (c) and am. (a), (b) 1. intro., b. and 3. and (c), am. (7) (a) 1. and 2. and (9), cr. (7) (b), (16) and (23), r. and recr. (15), Register, January, 1994, No. 457, eff. 2-1-94; cr. (22) (b) 5., Register, March, 1994, No. 459, eff. 4-1-94; cr. (4) (b) 1. b., Register, March, 1995, No. 471, eff. 4-1-95.

ILHR 51.03 Classes of construction standards. (1) FIRE RESISTIVE TYPE A (NO. 1). (a) A building is of fire-resistive construction if all the walls, partitions, piers, columns, floors, ceilings, roof and stairs are built of noncombustible material, with a fire-resistive rating as specified in Table 51.03-A.

1. Concealed draft openings in columns, walls and partitions shall be firestopped with noncombustible material at each floor level.

(b) A building of this classification shall be limited in height in accordance with Table 51.03-C.

(c) Stairs and stair platforms shall be constructed of noncombustible material.

(d) Doors and windows may be of wood except as otherwise specified in s. ILHR 51.02 (5), Table 51.03-B, ss. ILHR 51.17, 51.18, 51.19 and 51.20, or in the occupancy chapters of this code.

(e) Bays, oriels, and similar exterior projections from the walls shall be constructed of material with fire-resistive ratings as required for exterior walls.

(f) The wall construction behind a mansard shall extend to the underside of the roof deck and shall have a fire-resistive rating of not less than that specified for exterior walls in Table 51.03-A.

(g) Penthouses and other roof structures shall have enclosing walls of noncombustible construction and roof framing and coverings shall be equal to that specified in Table 51.03-A. Wood cooling towers are permitted.

(j) In required fire-resistive floor and roof assemblies one electric outlet box, not exceeding 16 square inches in area, may be installed in such ceilings in each 90 square feet of ceiling area. Recessed electric fixtures shall have protection boxes built above the fixture, constructed of approved fire-resistant material of rating equal to that of

the ceiling, to cover the opening in case fixture is displaced. Duct openings in ceilings shall be protected by fire dampers.

(2) FIRE-RESISTIVE TYPE B (NO. 2). (a) A building is of fire-resistive construction if all the walls, partitions, piers, columns, floors, ceilings, roof and stairs are built of noncombustible material, with a fire-resistive rating as specified in Table 51.03-A.

(b) A building of this classification shall be limited in height in accordance with Table 51.03-C.

(c) Where roof framing is greater than 20 feet above the floor, or highest level of any balcony, roof decks may be:

1. Matched or splined wood roof decking of not less than 2 inches in nominal thickness;

2. Solid lumber not less than 3 inches in nominal thickness, set on edge securely fastened together;

3. Approved 1½ inch thick plywood with exterior glue, tongue and groove with all end joints staggered and butting on centers of beams spaced not over 4 feet apart; or

4. Other forms of roof decks, if of noncombustible material.

(d) Stairs and stair platforms shall be constructed of noncombustible material.

(e) Doors and windows may be of wood except as otherwise specified in s. ILHR 51.02 (5), Table 51.03-B, ss. ILHR 51.17, 51.18, 51.19 and 51.20, or in the occupancy chapters of this code.

(f) Bays, oriels, and similar exterior projections from the walls shall be constructed of material with fire-resistive ratings as required for exterior walls.

(g) The wall construction behind a mansard shall extend to the underside of the roof deck and shall have a fire-resistive rating of not less than that specified for exterior walls in Table 51.03-A.

(h) Penthouse and other roof structures shall have enclosing walls of noncombustible construction and roof framing and coverings shall be equal to that specified in Table 51.03-A. Wood cooling towers are permitted.

(3) METAL FRAME — PROTECTED (NO. 3). (a) A building is of metal frame protected construction if the structural parts and enclosing walls are of metal, or metal in combination with other noncombustible materials, with time resistance ratings as set forth in Table 51.03-A.

(b) A building of this classification shall be limited in height in accordance with Table 51.03-C.

(c) Stairs and stair platforms shall be constructed of noncombustible material.

(d) Bays, oriels and similar exterior projections from the walls shall be constructed of material with fire-resistive ratings as required for exterior walls.

TABLE 51.03-A
CLASSES OF CONSTRUCTION FIRE-RESISTIVE RATINGS IN HOURS

BUILDING ELEMENT	MODIFYING CONDITIONS		TYPES OF CONSTRUCTION								APPLICABLE NOTES SEE S. ILHR 51.03 FOR CONSTRUCTION STANDARDS	
	SEE NOTES f, g, n BLDG SETBACK DIST. TO P/L OR TO OTHER BLDG. ON SAME PROP.	NUMBER OF STORIES	FIRE RESISTIVE TYPE A	FIRE RESISTIVE TYPE B	METAL FRAME PROTECTED	HEAVY TIMBER	EXTERIOR MASONRY, PROT	EXTERIOR MASONRY, UNPROT	METAL FRAME UNPROTECTED	WOOD FRAME PROTECTED		WOOD FRAME UNPROTECTED
			No. 1	No. 2	No. 3	No. 4	No. 5A	No. 5B	No. 6	No. 7	No. 8	
1. INTERIOR SUPPORTS (columns, piers, frame legs, posts)		Over 8 stories or more than 85 ft. in height	NC-4	NC-3	NP	NP	NP	NP	NP	NP	NP	a, d
2.		8 stories or 85 ft. in height or less	NC-3	NC-2	See s. ILHR 51.03 (3) NC-1	See s. ILHR 51.03 (4) H.T. or NC-1	See s. ILHR 51.03 (5) 1	See s. ILHR 51.03 (5) 0	See s. ILHR 51.03 (6) NC-0	See s. ILHR 51.03 (7) 1	See s. ILHR 51.03 (8) 0	a, d
3. FLOOR FRAMING (beams, girders, joists, slabs, deck)		More than 2 stories	NC-3	NC-2	See s. ILHR 51.03 (3) NC-1	See s. ILHR 51.03 (4) H.T. or NC-1	See s. ILHR 51.03 (5) 1	See s. ILHR 51.03 (5) 0	See s. ILHR 51.03 (6) NC-0	1	0	a
4.		2 stories or less	NC-2	NC-1	NC-1	See s. ILHR 51.03 (4) H.T. or NC-1	1	0	See s. ILHR 51.03 (5) NC-0 or 1	1	0	a
5. ROOF FRAMING (trusses, beams, girders, joists, frame rafters, purlins, deck)		Over 8 stories or more than 85 ft. in height	NC-2	NC-1-1/2	NP	NP	NP	NP	NP	NP	NP	a
6.		3 to 8 stories or 85 ft. in height or less	NC-2	NC-1-1/2	NC-1	See s. ILHR 51.03 (4) H.T. or NC-1	1	0	NC-0	1	0	a
7.		2 stories or under 25 ft. in height	NC-1	NC-1	NC-1	See s. ILHR 51.03 (4) H.T. or NC-1	See s. ILHR 51.03 (5) 1	See s. ILHR 51.03 (5) 0	NC-0	See s. ILHR 51.03 (7) 1	0	a
8.		1 story - roof framing more than 20 ft. above fl.	NC-0	See s. ILHR 51.03 (2) NC-0	NC-0	See s. ILHR 51.03 (4) H.T. or NC-1	0	0	0	0	0	a
9.		1 story - roof framing 20 ft. or less above fl.	NC-1	NC-1	NC-1	See s. ILHR 51.03 (4) H.T. or NC-1	1	0	0	See s. ILHR 51.03 (7) 1	0	a
10. ROOF COVERING			CLASS A	CLASS A	CLASS A	CLASS B	CLASS B	CLASS B	CLASS C	CLASS C	CLASS C	a
11. EXTERIOR WALLS & COURT WALLS Includes columns in the plane of the wall and outward therefrom. Does not include interior furring attached to inside surface of wall		Bearing - Less than 10 ft.	NC-4	NC-3	NC-2	NC-2	2	2	NC-2	See s. ILHR 51.03(7)(a) 4	See s. ILHR 51.03(8)(d) 4	a, d, e, f
12.		Bearing - 10 ft. to 30 ft. inclusive	NC-3	NC-2	NC-3/4	1	2	1	NC-0	1	0	a, c, d, e, f
13.		Bearing - Over 30 ft.	NC-2	NC-1	NC-0	1	2	1	NC-0	1	0	a, c, d, e, f, k
14.		Nonbearing - Less than 10 ft.	NC-2	NC-2	NC-1	NC-1	2	1	NC-1	See s. ILHR 51.03(7)(e) 4	See s. ILHR 51.03(8)(d) 4	a, d, e, f
15.		Nonbearing - 10 ft. to 30 ft. inclusive	NC-1	NC-1	NC-0	1	2	1	NC-0	1	0	a, c, d, e, f
16.		Nonbearing - Over 30 ft.	NC-0	NC-0	NC-0	3/4	1	0	NC-0	1	0	a, c, d, e, f, h, k
17. INTERIOR WALLS BEARING			NC-3	NC-2	NC-1	1	1	1	NC-0	1	0	a, i
18. PARTITIONS			NC-0	NC-0	NC-0	0	0	0	0	0	0	a, i
19. REQUIRED EXIT CORRIDOR ENCLOS.			NC-2	NC-2	NC-1	1	1	1	1	1	1	a
20. FIRE ENCLOSURE (stairways, elevators, vertical shafts)		Over 3 stories 3 stories or less	NC-2	NC-2	NC-2	2	2	1	1	1	1	a, f
21. PENTHOUSE WALLS			NC-0	NC-0	NC-0	1	1	1	0	1	1	a, h
22. PENTHOUSE ROOF			NC-0	NC-0	NC-0	0	NC-0 or 3/4	NC-0 or 3/4	0	0	0	a, b

KEY TO ABBREVIATIONS

NC - Noncombustible
NP - Not Permitted
H.T. - Heavy Timber
P/L - Property Line

KEY EXAMPLE TO READING CHART

0 = 0, No Hour Rating
1 = Combustible or Noncombustible 1-Hour Rating
NC-0 = Noncombustible 0-Hour Rating

- a - See occupancy sections of the code for other basic requirements and more restrictive limitations.
- b - Roof covering same as for main building.
- c - Walls of solid wood 4 inches in thickness are acceptable as equal to 1-hour fire-resistive rating.
- d - Fire-resistive requirements also apply for those bracing members required for gravity loading.
- e - Refer to Table 51.03-B for allowable areas for windows and other openings in exterior walls.
- f - For exceptions, refer to s. ILHR 51.02.
- g - Setbacks and distances to P/L or other buildings on same property do not apply to P/L along streets.
- h - Approved fire-retardant treated wood will be accepted in lieu of 3/4-hour fire-resistive ratings.
- i - For openings in partitions and interior bearing walls, see s. ILHR 51.02.
- k - Hourly ratings specified as for fire exposure from the inside of the building only.
- m - See Table 51.03-C concerning height limitations.
- n - Setbacks shall be measured as specified in ILHR 51.01 (115).
- p - Chapter ILHR 18 requires a fire service, and a machine room with at least a 2-hour fire-resistive rating, for elevator runs of 25 feet or more. Shafts for these elevators shall have a fire-resistive rating of at least 2 hours.

ILHR 51.03

TABLE 51.03-B

**MAXIMUM TOTAL ALLOWABLE AREA OF WINDOWS OR OTHER WALL OPENINGS
IN PERCENT OF TOTAL EXPOSED EXTERIOR WALL SURFACE**

Setback from Property Line, or Other Walls on Same Property ^{1,4}	Class of Construction 1. Fire-Resistive "A" 2. Fire-Resistive "B" 3. Metal Frame Protected 4. Heavy Timber 5. Exterior Masonry		6. Metal Frame Unprotected	7. Wood Frame Protected	8. Wood Frame Unprotected
	Bearing Wall	Nonbearing Wall			
Less than 5'	No Openings	No Openings	No Openings	Not Permitted	Not Permitted
5' to less than 10'	20% ² Fire window reqd. ³	30% ² Fire window reqd. ³	30% ¹	Not Permitted	Not Permitted
10' to less than 30'	30% ¹	40% ²	40% ²	40% ²	40% ²
30' or over	No Limit	No Limit	No Limit	No Limit	No Limit

1. Does not apply to property lines along streets.

2. Tabulated percentage of openings shall be applied to each 100 lineal feet of wall. This tabulation will not allow wing walls or high parapets, etc., to be used to increase exposed wall areas and thereby increase allowable total area of openings. Where openings are permitted, such openings protected with approved automatic-closing, 3-hour fire door or shutter assemblies — No Limit.

3. Fire windows shall be as required for moderate fire exposure — see ILHR 51.048.

4. Setbacks shall be measured as specified in s. ILHR 51.01 (115).

**TABLE 51.03-C
HEIGHT LIMITATIONS
BASED ON CLASS OF CONSTRUCTION**

Class of Construction	Sprinklered ^{a,b}		Nonsprinklered	
	Height (in feet)	Number of Stories ^c	Height (in feet)	Number of Stories ^c
Type 1	No limit	No limit	60 ^d	No limit
Type 2	95	9	60 ^d	8
Type 3	85	5	60 ^d	4
Type 4	85	5	60 ^d	4
Type 5A	60	5	50	4
Type 5B	50	4	40	3
Type 6	60	4	50	3
Type 7	50	4	40	3
Type 8	45	3	35	2

a - An automatic fire sprinkler system designed and installed in accordance with s. ILHR 51.23 is provided throughout the entire building.

b - Section ILHR 51.02 (21) and (22) may limit or restrict the credit for sprinklers as it applies to the maximum height or number of stories permitted depending upon the type of occupancy involved or whether a reduction in fire-resistive ratings has been utilized.

c - The occupancy chapters, chs. ILHR 54 to 62, may further limit or restrict the maximum number of stories based upon the type of occupancy involved or the number or type of occupants.

d - Section ILHR 52.01 requires the installation of sprinklers for buildings more than 60 feet in height.

(e) The wall construction behind a mansard shall extend to the underside of the roof deck and shall have a fire-resistive rating of not less than that specified for exterior walls in Table 51.03-A.

(4) HEAVY TIMBER (NO. 4). (a) A building is of heavy timber construction if the structural frame consists of heavy timber or heavy timber in combination with metal, reinforced concrete or masonry, and all building elements are as set forth in Table 51.03-A unless otherwise exempted.

(b) A building of this classification shall be limited in height in accordance with Table 51.03-C.

(c) *Columns.* 1. Wood columns shall be not less than 8 inches, nominal, in any dimension when supporting floor loads and not less than 6 inches, nominal, in least dimension and not less than 8 inches, nominal, in other dimension when supporting roof loads only.

2. All wood columns in the structural frame shall be superimposed, end to end, one above the other, and joined by metal or wood connectors.

Note: See structural ch. ILHR 53 for design requirements.

(d) *Floor framing.* 1. Beams and girders of wood shall be not less than 6 inches, nominal, in any dimension and not less than 45 square inches in actual cross-sectional area.

2. Wood arches which support floor loads shall be not less than 8 inches, nominal, in any dimension.

3. Framed timber trusses supporting floor loads shall have members of not less than 8 inches, nominal, in any dimension.

4. Floor framing and structural framing of material other than wood shall have a fire-resistive protection of not less than one hour.

(e) *Roof framing.* 1. Beams and girders of wood shall be not less than 6 inches, nominal, in any dimension and not less than 45 square inches in actual cross-sectional area.

2. Wood arches, timber trusses, purlins and rafters for roof construction shall have members not less than 4 inches, nominal, in width and not less than 6 inches, nominal, in depth. Spaced members may be composed of 2 or more pieces not less than 3 inches, nominal, in thickness when blocked solidly throughout their intervening spaces or when such spaces are tightly closed by a continuous wood cover plate of not less than 2 inches, nominal, in thickness, secured to the underside of the members. Splice plates shall be not less than 3 inches, nominal, in thickness.

(f) *Floors.* 1. Wood floor construction shall be tongued and grooved, or splined lumber not less than 3 inches nominal thickness, or of solid lumber placed on edge and securely fastened together to make a floor not less than 4 inches, nominal, in thickness. A top layer of flooring of one inch nominal thickness shall be placed over all such floor construction.

(g) Stair construction may be of wood in buildings not exceeding 3 stories in height. In buildings of 4 or more stories, all stairs, platforms and stair construction shall be constructed of noncombustible material.

(h) *Roofs.* Roof decks shall be:

1. Matched or splined wood roof decking of not less than 2 inches in nominal thickness;

2. Solid lumber not less than 3 inches in nominal thickness, set on edge securely fastened together;

3. Approved 1½ inch thick plywood with exterior glue, tongue and groove with all end joints staggered and butting on centers of beams spaced not over 4 feet apart; or

4. Other forms of roof decks, if of noncombustible material.

(i) Bays, oriels, and similar exterior projections from the walls shall be constructed of material with fire-resistive ratings as required for exterior walls.

(5) EXTERIOR MASONRY, PROTECTED AND UNPROTECTED (NOS. 5A AND 5B). (a) A building is of protected or unprotected exterior masonry construction if all exterior walls are constructed of masonry or reinforced concrete or of other materials in combination with a minimum 6 inch nominal masonry wall and all building elements are as set forth in Table 51.03-A unless otherwise exempted.

(b) A building of this classification shall be limited in height in accordance with Table 51.03-C.

(c) The interior structural framing shall be metal, reinforced concrete, masonry or wood. Fire protection of metal or wood structural members shall be as specified in Table 51.03-A.

(d) In walls where fire protection is required, the bottom of lower flange of steel lintels supporting load-bearing masonry shall be protected for openings exceeding 12-foot spans.

(e) Floors, roofs, partitions and stairs may be of wood, but no joist, rafter, stud, stringer, truss member or top and bottom member of a wood I-Beam may be less than 2 inches in nominal thickness.

(f) Bays, oriels and similar exterior projections from the walls shall be constructed of material with fire-resistive ratings as required for exterior walls.

(g) The portion of exterior wall above the bearing points of the roof structural framing system and enclosing non-occupied space shall be considered part of the roof construction and shall comply with the requirements of Table 51.03-A for roof framing.

(6) METAL FRAME — UNPROTECTED (NO. 6). (a) A building is of metal frame unprotected construction if the enclosing walls are of unprotected metal or unprotected metal in combination with other noncombustible materi-

als and all building elements are as set forth in Table 51.03-A unless otherwise exempted.

1. Heavy timber may be used for interior columns and floor framing.

2. Interior mezzanines and balconies within the first story may be constructed of one-hour fire-resistive construction.

(b) A pole building is considered type No. 6, metal frame unprotected construction, provided the following conditions are satisfied:

1. The poles supporting the roof only shall be at least 6 inches by 8 inches nominal in dimension. Poles supporting floors shall be 8 inches by 8 inches nominal in dimension. Poles may be built up from individual 2-inch nominal lumber if the pieces are bolted or glued and nailed together;

2. The girts shall be of noncombustible, fire-retardant treated wood or heavy timber construction;

3. The enclosing wall skin shall be of noncombustible materials. A non-structural 2" x 6" nominal wood skirt is permitted if it is in contact with the ground or foundation;

4. The roof cover shall have a class B rating or better; and

5. All other requirements of this section and Table 51.03-A are satisfied.

(c) A building of this classification shall be limited in height in accordance with Table 51.03-C.

(d) Stairs and stair platforms may be of wood with stringers not less than 2 inches in nominal thickness.

(e) Bays, oriels and similar exterior projections from the walls shall be constructed of material with fire-resistive ratings as required for exterior walls.

(7) WOOD FRAME — PROTECTED (NO. 7). (a) A building is of wood frame protected construction if the structural parts and enclosing walls are of protected wood, or protected wood in combination with other materials, with fire-resistive ratings at least equal to or better than those set forth in Table 51.03-A. Except as specified in s. ILHR 51.03 (5) (a), if such enclosing walls are veneered, encased or faced with stone, brick, tile, concrete, plaster or metal, the building is also termed a wood frame protected building.

(b) A building of this classification shall be limited in height in accordance with Table 51.03-C.

(c) Floors, roofs, partitions and stairs may be of wood, but no joist, rafter, stud, or stringer, truss member or top and bottom member of a wood I-Beam may be less than 2 inches in nominal thickness.

(d) The structural members supporting the finished ceiling in the topmost story shall be protected on the underside by fire-resistive material acceptable in systems approved for one-hour fire-resistive ratings as covered in s. ILHR 51.04.

(e) Buildings of wood frame protected construction may be located less than 10 feet from a property line provided any wall closer than 10 feet from a property line is a 4-hour

ILHR 51.03

fire division wall, without openings, as specified in s. ILHR 51.02 (13).

(f) Bays, oriels and similar exterior projections from the walls shall be constructed of material with fire-resistive ratings as required for exterior walls.

(8) WOOD FRAME — UNPROTECTED (NO. 8). (a) A building is of wood frame unprotected construction if the structural parts and enclosing walls are of unprotected wood, or unprotected wood in combination with other materials as set forth in Table 51.03-A. If such enclosing walls are veneered, encased or faced with stone, brick, tile, concrete, plaster or metal, the building is also termed a wood frame unprotected building.

(b) A building of this classification shall be limited in height in accordance with Table 51.03-C.

(c) Floors, roofs, partitions and stairs may be of wood but no joist, rafter, stud, stringer, truss member or top and bottom member of wood I-Beam may be less than 2 inches in nominal thickness.

(d) Buildings of wood frame unprotected construction may be located less than 10 feet from a property line provided any wall closer than 10 feet from a property line is a 4-hour fire division wall, without openings, as specified in s. ILHR 51.02 (13).

History: Cr. Register, June, 1972, No. 198, eff. 1-1-73' am. table A and (1) (d), renum. (1) (e) 1. to be (f), (1) (f) 1. a. to be (1) (f) 1., (1) (f) (g) (h) (i) to be (1) (g) (h) (i) (j), (2) (f) 1. to be (2) (g), (2) (g) 1. a. to be (2) (g) 1., (2) (g) (h) (i) to be (2) (h) (i) (j), (3) (d) 1. to be (e), (3) (e) 1. a. to (3) (e) 1., (7) (b) to be (c), (7) (c) to be (b), am. (2) (e), r. (4) (e) 3., r. and recr. (6) (a), cr. (7) (d), Register, September, 1973, No. 213, eff. 10-1-73; r. and recr. (6) (a), Register, May, 1974, No. 221, eff. 6-1-74; cr. (5) (a) 1. and 2.; am. table B and (5) (f) and r. and recr. (5) (g), Register, July, 1974, No. 223, eff. 8-1-74; am. (1) (d) 1. and (2) (e) 1., Register, December, 1974, No. 228, eff. 1-1-75; cr. (6) (a) 3, Register, December, 1977, No. 264, eff. 1-1-78; renum. (6) (b) to (d) to be (6) (c) to (e), cr. (6) (b), (7) (e) and (8) (d), am. (1) (f) (intro.), (h), (i), (2) (g) (intro.), (i), (j), (3) (e) (intro.), (4) (a), (5) (a) (intro.) and (8) (a), Register, December, 1978, No. 276, eff. 1-1-79; am. (1) (d) 1., (2) (e) 1., (5) (g) (intro.) and (6) (a) 3., cr. (5) (a) 3., Register, January, 1980, No. 289, eff. 2-1-80; am. (5), (7) (a), (b) and (e), (8) (d), cr. (9) (f), Register, December, 1981, No. 312, eff. 1-1-82; am. (5) (a) and (7) (f), Register, October, 1982, No. 322, eff. 11-1-82; am. table A, (3) (d) and (6) (c), r. (1) (h) and (i), (2) (i) and (j) and (6) (a) 13., cr. (4) (i) and (7) (g), r. and recr. (5) (h), Register, December, 1983, No. 336, eff. 1-1-84; am. (7) (f), Register, August, 1985, No. 356, eff. 1-1-86; r. and recr. table A, (1) (b), (2) (b), (3) (b), (4) (b), (5) (b), (6) (c), (7) (b) and (8) (b), cr. table c, r. (1) (d) 1., (2) (e) 1. and (7) (f), renum. (7) (g) to be (f), Register, March, 1991, No. 423, eff. 4-1-91; am. tables A and B, (4) (g), (5) (e), (7) (c) and (8) (c), r. and recr. (1) (f), (2) (g) and (3) (e), r. (5) (g), renum. (5) (h) to be (5) (g), Register, January, 1994, No. 457, eff. 2-1-94.

Fire-Resistive Standards for Materials of Construction

ILHR 51.04 Scope. This section shall include standards applicable to various types of fire-resistive construction. Requirements established herein are considered minimum safety standards and will not necessarily result in the most advantageous insurance rates.

History: Cr. Register, February, 1971, No. 182, eff. 7-1-71; r. eff. 8-1-71 and recr. eff. 1-1-72, Register, July, 1971, No. 187.

ILHR 51.042 General requirements. (1) Construction details and the quality of materials used for fire resistive assemblies shall be those used by the testing laboratory for the listed test assembly or those recognized by good engineering practice, including:

(a) The addition of mineral fiber or glass fiber insulation within a stud cavity without reducing the fire resistive rating of wall or partition assembly when not specified as the listed assembly;

(b) The substitution of studs with greater depths than those specified in a listed wall or partition assembly without reducing the fire resistive rating of the assembly;

(c) An increase in the distance between parallel rows of studs, such as in chase wall assemblies, greater than those specified in listed wall or partition assemblies without reducing the fire resistive rating of the assembly; and

(d) Assemblies detailed in GA-600.

(2) The minimum fire-resistive protection of a connection shall be equal to the maximum required for the members to which it is attached.

(3) For structural components with a fire-resistive rating obtained by test with restrained ends, the supporting structure shall be designed to provide for this restraint.

(4) (a) All products manufactured and tested according to ASTM standard methods prior to the effective dates of the standards specified in ASTM E 119 shall be accepted unless the ASTM standard method used in the test is judged to be inadequate in comparison with the most currently adopted standard method.

(5) The heat transmission requirements of ASTM E-119, with the exception of high hazard areas, penal and health care facilities and warehouses for combustible materials, may be reduced to one-half (½) of the hourly rating required by this code, but not less than one hour.

Note: See s. A 52.011 of Appendix A for additional information pertaining to high hazard occupancies.

(a) The fire-resistive rating for structural integrity required by this code shall be maintained where the heat transmission criteria has been reduced.

(6) The use of fire-resistive protection implies consent by owner to maintain material in a serviceable condition. Where this protection is concealed, provisions shall be made for periodic visual inspection of the structural insulating material at each story.

(7) In one-hour fire-resistive rated construction and in living unit separations as specified in s. ILHR 57.01(2), the ceiling may be omitted over unusable crawl space not more than 42 inches in height and the flooring may be omitted where unusable space occurs above.

(8) Structural elements which support building components or assemblies required to have a fire-resistive rating shall be protected to afford at least the same fire-resistive rating of the component or assembly supported.

History: Cr. Register, February, 1971, No. 182, eff. 7-1-71; r. eff. 8-1-71, and recr. eff. 1-1-72, Register, July, 1971, No. 187; cr. (7), Register, December, 1981, No. 312, eff. 1-1-82; cr. (8), Register, December, 1983, No. 336, eff. 1-1-84; am. (7), Register, August, 1985, No. 357, eff. 1-1-86; r. and recr. (1), am. (5) (intro.), Register, March, 1991, No. 423, eff. 4-1-91; renum. (2) (a) and (4) (a) to be (2) and (4) and am. (4), Register, January, 1994, No. 457, eff. 2-1-94.

ILHR 51.043 Approved rating methods. (1) Ratings of fire-resistive assemblies shall be determined by one of the following methods:

(a) Test by approved testing laboratories (see s. ILHR 51.044).

(b) Typical examples as listed in this code in lieu of approved test (see s. ILHR 51.045).

(c) Approved method of calculation in lieu of approved test (see s. ILHR 51.046).

History: Cr. Register, February, 1971, No. 182, eff. 7-1-71; r. eff. 8-1-71, and recr. eff. 1-1-72, Register, July, 1971, No. 187.

ILHR 51.044 Testing laboratories. Fire rating tests conducted by testing laboratories recognized under s. ILHR 50.19 shall be acceptable.

Note: See appendix for a list of recognized testing laboratories.

History: Cr. Register, February, 1971, No. 182, eff. 7-1-71; r. eff. 8-1-71, and recr. eff. 1-1-72, Register, July, 1971, No. 187; am. Register, December, 1977, No. 264, eff. 1-1-78; am. table, Register, December, 1978, No. 276, eff. 1-1-79; r. and recr., Register, December, 1981, No. 312, eff. 1-1-82; r. and recr. table, Register, December, 1983, No. 336, eff. 1-1-84; r. and recr. table, Register, August, 1985, No. 356 eff. 1-1-86; r. and recr. Register, February, 1991, No. 423, eff. 4-1-91.

ILHR 51.045 Typical examples of fire-resistive structural components. (1) Basic design and construction for specified fire-resistive protection of structural components listed in table 2, including references (a) through (r), shall be acceptable.

Note: The following table is based on performance, interpretation of various test data or data from ASTM E-119 test (see table 2).

(a) Types of concrete. 1. Type I — normal weight concrete with lime-stone, calcareous gravel and air-cooled slag aggregate.

2. Type II — normal weight concrete with siliceous gravel, granite or quartz aggregate containing more than 40% quartz, chert or flint. Values given for type I apply except where values are tabulated for type II.

3. Type III — lightweight aggregate with expanded slag, shale or clay aggregate. Includes sanded — lightweight concretes not over 115 lbs. per cu. ft. oven-dried density.

(b) Cover on reinforcing steel is for sides and bottoms. Where tensile reinforcing elements have different cover, the tabulated cover is the average of the minimum values of the individual elements. The cover of an individual element shall not be less than $\frac{1}{2}$ the tabulated value. Top cover to be a minimum of $\frac{3}{4}$ inch.

(c) For the heat transmission requirements of floor and roof construction, the thickness of the top slab may be reduced if noncombustible insulation is directly applied to either side of the slab and provided the U-factor is equaled or reduced.

(d) The thickness of top slab is in accordance with ASTM E-119 heat transmission requirements. For variations in thickness of top slab see s. ILHR 51.042 (5).

Note: For ASTM E-119 standard adopted see Ind 51.25 (49).

TYPICAL EXAMPLES OF FIRE RESISTIVE STRUCTURAL COMPONENTS, TABLE 2 (CON'T.)

TYPE OF CONSTRUCTION	ROW NO.	STRUCTURAL COMPONENTS	SKETCHES	INSULATING MATERIAL	DESCRIPTION	MINIMUM REQUIREMENTS					
						4 HR.	3 HR.	2 HR.	1 HR.		
COMPONENTS WITH SUSPENDED OR ATTACHED PROTECTION	CONC.	17.	Concrete Joists or Waffle		a c d Concrete Type I, II or III 3/4" cover Vermiculite...gypsum...or perlite gypsum on metal lath	t ₂ Slab Thickness 3"	t ₁ Insulation Thickness 1"	2"	3/4"		
		18.	Steel Columns		Type I & II Masonry f 1-1/2" air space j	t ₁ Insulation Thickness 4" solid					
	STEEL FRAMING	19.	Steel Girders...Beams... Trusses...Joists, Columns Individually Protected		Sprayed Fibre...Cementitious Mixture...Lath & Plaster			By Tests . . . or Listing By Approved Testing Lab			
		20.	Steel Beams, Girders, Trusses & Joists...w/Ceiling Protection & Minimum 2-1/2" Th. Type I, II or III Concrete Slab a c d		Sprayed Fibre...Cementitious Mixture...Lath & Plaster Acoustical Tile			By Tests . . . or Listing By Approved Testing Lab			
		21.	Steel Stud Partition Nonbearing, Min. 2-1/2" Stud		Gypsum...Perlite Plaster on Perforated Gyp. Lath Gypsum Wall Board q	t ₁ Plaster t ₂ Lath No. Layers Thick, Each			3/4" 3/8"	1/2" 3/8"	
	COMBUSTIBLE CONSTRUCTION	22.	Wood Joists Min. 2" x 10", Wood Floor Attached Ceiling q		Gypsum Wallbrd Below 2" x 10" Max. 24" o/c 1/2" Plywood or 1" x 6" T & G Sub-Flyg	t ₁ Wallbrd Thickness t ₂ Flooring			Two 5/8"	5/8" 5/8" Plywood or Nom. 1" x 3" TAG	
		23.	Wood Joists Min. 2" x 10", Wood Floor Suspended Ceiling		Noncombustible Acoustical Tile Below 2" x 10" & 16" o/c 5/8" Plywood or Nom. 1" x 4" TAG Sub-Flyg	t ₁ Insulation t ₂ Flooring			Two 5/8"	5/8" 1/2" Plyw or Nom. 1" x 3" TAG	
		24.	Wood Stud Partition Min. 2" x 4" Stud		Gypsum Wallboard q Gypsum Perlite Plaster On 3/8" Gypsum Lath Gypsum & Sand Plaster on U.L. Listed Wire Lath Gypsum & Vermiculite Plaster on Metal Lath	No. Layers / Th. of Each t ₁ t ₂ t ₃			Two 5/8" 1" plas. w/1" Nom. mash	Two 3/8" or One 5/8" 9/16" plaster 3/4" plaster 3/4" Plaster	
	HEAVY TIMBER SOLID OR LAMINATED	HEAVY TIMBER CONSTRUCTION TABLE									
		25.	Columns		Wood All Species	Floor...Width X Depth Min. Nom. Roof...Width X Depth Min. Nom.				8" x 8" 6" x 8"	
26.		Girders & Beams		Wood All Species	Min. Width X Depth (Nom.)				6" x 10"		
27.		Arch & Truss for Roof Only		Wood All Species	Min. Width X Depth Each Member				4" x 6"		
28.	Floor & Roof Deck		Wood All Species	Roof				2" Nom. TAG or 3" Solid			
				Floor				3" Nom. TAG or 4" Solid			

ILHR 51.045

(e) Longitudinal joints between individual precast floor or roof units, or individual wall units shall be installed as tested or shall be grouted solid for the thickness required by the fire-resistive rating. Noncombustible insulation may be substituted for the grout if the U-factor is equaled or reduced providing the integrity of insulation remains as installed. The topping used in floor or roof units may be included.

$$(g) \text{ Equivalent thickness} = \frac{\text{Total volume minus volume of voids}}{\text{length times height}}$$

$$(h) t^2\text{-equivalent thickness} = \frac{\text{Total conc. area minus area of void}}{\text{width}}$$

(i) Clay, shale, concrete or sand lime — with less than 25% voids or with all spaces filled.

(j) 1½ inch space between column and masonry unit — no fill required.

(k) For restrained conditions, thickness of fire protection may be reduced if substantiated by test data or calculation method.

(l) Elements with this minimum size are recognized for heavy timber construction, acceptable for certain buildings in lieu of one hour noncombustible construction.

(m) Where combustible members are framed into a wall, the wall shall be of such thickness or be so constructed that the fire barrier between the member and the opposite face of the wall, or between adjacent members set in from opposite sides will be 93% of the equivalent thickness shown in Table 2.

(n) Cover thickness on reinforcing steel as indicated is based on continuity of system. For simple span conditions increase cover thickness by 50%.

(p) Wire mesh reinforced and with a minimum area of 0.015 inches square per foot of length or equivalent.

(q) % gypsum wallboard shall be type "X" or "C".

(r) The specified hourly rating may be increased by 2 hours if the cores are filled with loose, dry expanded slag, water repellent vermiculite or burned clay or shale.

History: Cr. Register, February, 1971, No. 182, eff. 7-1-71; r. eff. 8-1-71, and recr. eff. 1-1-72, Register, July, 1971, No. 187; am. (1) (f), Register, March, 1972, No. 195, eff. 4-1-72; am. (1) (intro.) and (q), Register, December, 1981, No. 312, eff. 1-1-82; r. and recr. table 2, line 12, r. (1) (f) cr. (1) (r), Register, December, 1983, No. 336, eff. 1-1-84; am. (1) (intro.) and table 2, line 18, Register, February, 1991, No. 423, eff. 4-1-91.

ILHR 51.046 Calculation method. (1) The rational design of structural members for fire resistance shall be submitted to the department and shall be based on the type of span (simple or restrained), the magnitude of longitudinal restraint, accepted structural engineering principles and methods.

(2) Appropriate research data and design criteria to substantiate the method, interpreting between known information, shall accompany the above material and shall include:

(a) Time — temperature relationship ASTM E 119;

Register, January, 1994, No. 457

(b) The temperature — strength characteristics of the structural components;

(c) The time — temperature characteristics of the insulating material, at the temperature range designated by ASTM E 119;

(d) The expansion characteristics of the materials comprising the member, at the temperature range designated by ASTM E 119; and

Note: For ASTM E 119 standard adopted see s. ILHR 51.25 (4) Table 51.25-10. The department will accept published research data from the Portland Cement Association, the American Iron & Steel Institute, and the American Institute of Steel Construction, Inc.

(e) The safety factor of not less than 1.0 shall be maintained at the end of the time requirement for the full design live load and dead load.

History: Cr. Register, February, 1971, No. 182, eff. 7-1-71; r. eff. 8-1-71, and recr. eff. 1-1-72, Register, July, 1971, No. 187; renum. (1) (a) (intro.) and 1. to 5. to be (2) (intro.) and (a) to (e) and am. Register, January, 1994, No. 457, eff. 2-1-94.

ILHR 51.047 Fire-rated door assemblies in fire-rated construction. (1) FIRE-RESISTIVE RATED DOOR ASSEMBLIES.

(a) 1. An opening where permitted in a fire-resistive rated wall or wall assembly shall be protected by means of a fire-resistive rated door assembly which conforms to ATSM E-152, except as provided in subd. 2.

2. An opening accommodating a conveyer system in a fire-resistive rated wall or wall assembly may be protected by means of directed nozzles in a water spray system which is designed and installed in accordance with NFPA 15 and which is provided on both sides of the opening, in lieu of a fire-resistive rated door assembly. This opening shall be no larger than needed to accommodate the conveyer and the material being conveyed.

(b) The type of fire-resistive rated door assembly shall be provided in accordance with Table 51.047.

TABLE 51.047
MINIMUM FIRE-RESISTIVE RATINGS OF DOOR ASSEMBLIES

Fire-Resistive Rating of a Wall or Wall Assembly	Fire-Resistive Rating of Door Assembly ¹	
4-hour	3-hour	A
3-hour	3-hour	A
2-hour	1½-hour	B
1-hour	¾-hour	C

Footnote to Table 51.047

1. The letter A, B or C following the hourly rating designates the location for which the assembly is designed, which is intended to agree with NFPA Standard 80. Compliance with the hourly rating is required regardless of the letter designation.

(2) LABELS. Fire-rated door assemblies shall be labeled with a permanent label, securely attached and located to permit visual inspection after installation. The label shall identify the time rating, testing laboratory, listing agency and manufacturer.

(a) Labeled fire-door assemblies shall not be modified without written acceptance from the testing laboratory.

(3) INSTALLATION OF FIRE-RATED DOORS. The fire-rated door assemblies shall be installed with frame, hinges, latches, closing devices and counterweights in accordance

with methods and standards approved by the department. Adequate clearance shall be maintained to permit free operation of fire-rated doors.

Note 1: The department will accept recommended practices for installation covered in "Standard for Fire Doors and Windows," NFPA No. 80.

Note 2: See s. ILHR 51.15 for exit door requirements.

(4) **SECURING DOOR FRAMES.** Methods of securing door frames to adjacent construction shall be illustrated on the plans submitted to the department for review.

(5) **DOOR CLEARANCES.** The maximum swinging-door clearances to frame shall be ½ inch on sides and top and ¾ inch at bottom between sill or floor.

(6) **DOOR CLOSING DEVICES.** All labeled fire-rated doors, where required, shall be equipped with an approved automatic or self-closing device as defined in s. ILHR 51.01 (17).

(a) All doors serving smokeproof towers or interior enclosed stairways shall be equipped with a self-closing device or an automatic closing device actuated by products of combustion other than heat.

(b) The requirements of par. (a) shall also be retroactive to existing buildings.

(c) Doors provided with a self-closing device shall remain in a closed position.

Note: The intent of this rule is to accept normal usage of the door, but not permit doors with this closing device to be blocked open at any time.

(d) Where a pilot weight is used, it shall be suspended from a chain or wire cable, and shall be installed in a protective housing.

Note: For specific types of closing devices permitted, please refer to the sections dealing with classes of construction and/or the occupancy chapters.

History: Cr. Register, February, 1971, No. 182, eff. 7-1-71; r. eff. 8-1-71 and recr. eff. 1-1-72, Register, July, 1971, No. 187; am. (1) (intro.), r. and recr. (1) (a) 1., Register, September, 1973, No. 213, eff. 10-1-73; cr. (1) (a) 1. e., Register, December, 1974, No. 228, eff. 1-1-75; r. and recr., Register, December, 1975, No. 240, eff. 1-1-76; r. and recr. (6), Register, December, 1976, No. 252, eff. 1-1-77; cr. (2) (a), Register, January, 1980, No. 289, eff. 2-1-80; am. (1), Register, December, 1981, No. 312, eff. 1-1-82; am. (6) (a), Register, December, 1983, No. 336, eff. 1-1-84; r. and recr. (1), Register, March, 1991, No. 423, eff. 4-1-91; am. (1) (a) 2. and Table, Register, January, 1994, No. 457, eff. 2-1-94.

ILHR 51.048 Fire window and glass block assemblies in fire-rated construction. (1) WINDOW OPENINGS. Window openings, where permitted in fire-rated walls, shall be protected with fire window or glass block assemblies rated as ¾-hour by an approved laboratory and tested in accordance with standard method ASTM E-163.

(2) **SIZE.** (a) *Fire window assemblies.* The sizes and dimensions of the glazing materials and the frames may not exceed their respective listing. Windows combined in multiple assemblies shall be separated by approved non-bearing metal mullions.

(b) *Glass block assemblies.* Openings for glass block assemblies shall not exceed 120 square feet in area. The width or height of the opening shall not exceed 12 feet.

(3) **MATERIALS AND INSTALLATION.** (a) *Frames.* Approved metal frames shall be securely fastened to the construction and be capable of resisting all wind stresses and other stresses to which they are likely to be subjected.

(b) *Wired glass.* The wired glass shall be labeled wired glass, ¼-inch thick, and shall be well bedded in approved glazing compound. All exposed joints between the metal shall be struck and pointed. The clearance between the edges of the glass and metal framing shall not exceed ¼ inch.

(c) *Glass block.* Glass block assemblies shall be installed according to the details of the tested assembly.

Note: The department will accept recommended practices for installation covered in "Standard for Fire Doors and Windows," NFPA No. 80.

(d) *Approved glass.* Glass for a fire window application shall conform to the conditions and limitations of its listing.

(4) **LABELS.** Fire window assemblies shall be labeled with a permanent label, securely attached and located to permit visual inspection after installation. The label shall identify the time rating, testing laboratory, listing agency and manufacturer. Glass block shall be listed by an approved laboratory.

History: Cr. Register, December, 1975, No. 240, eff. 1-1-76; r. and recr. (2) (a), cr. (3) (d), Register, March, 1991, No. 423, eff. 4-1-91; am. (1), Register, January, 1994, No. 457, eff. 2-1-94.

ILHR 51.049 Miscellaneous openings in fire-rated construction. (1) SERVICE OPENINGS. Openings around ducts, pipes, conduit or other service installations penetrating required fire-resistive rated floor, wall and roof assemblies shall be filled solidly with noncombustible materials or material of fire-resistive rating equal to the required rating of the assembly penetrated.

(2) **FIRE DAMPERS.** Duct openings in required fire-resistive rated floor and wall assemblies shall be protected as specified under s. ILHR 64.42.

(3) **PLASTIC PIPING AND ELECTRICAL SYSTEM COMPONENTS.** Penetration of required fire-resistive rated floor, wall, ceiling and roof assemblies by plastic piping and electrical system components shall be in accordance with one of the following:

(a) A device or system tested and listed by an approved testing laboratory;

(b) For plastic piping, conduits or raceways, substitute a steel or cast iron pipe or conduit in the penetration of the fire-rated assembly to a distance of at least 10 inches beyond both faces of the assembly;

(c) Provide a 10-gauge steel sleeve one inch larger in diameter than the plastic plumbing pipe or electrical wiring and extending 10 inches beyond both faces of the assembly. The annular space between the plastic component and protective sleeve shall be packed with a noncombustible filler; or

(d) Wrap the plastic component for a distance of at least 3 feet from both faces of the fire-rated assembly with at least one inch of noncombustible insulating material. The noncombustible insulation material shall be mechanically attached to the plastic component.

History: Cr. Register, December, 1975, No. 240, eff. 1-1-76; cr. (3), Register, January, 1980, No. 289, eff. 2-1-80; am. (3) (intro.), Register, December, 1981, No. 312, eff. 1-1-82; am. (1), (3) (c) and (d), Register, March, 1991, No. 423, eff. 4-1-91; am. (3) (intro.) and (b), Register, January, 1994, No. 457, eff. 2-1-94.

ILHR 51.05

ILHR 51.05 Roof coverings. Roof coverings of class A, B, C or unclassified shall be provided as specified under "Classes of Construction" s. ILHR 51.03 (1) to (8) or under the specific occupancy requirements of chs. ILHR 54 to 62.

Note: Brick, concrete, tile, slate, and ferrous, cupreous and other metals and their alloys will be accepted as "Class A" roof coverings.

History: Cr. Register, February, 1971, No. 182, eff. 7-1-71; r. eff. 8-1-71, and recr. eff. 1-1-72, Register, July, 1971, No. 187; renum. from 51.048 to be 51.050, Register, December, 1975, No. 240, eff. 1-1-76; am. Register, January, 1994, No. 457, eff. 2-1-94.

ILHR 51.06 Foam plastics. (1) SCOPE. The requirements of this section shall apply to the use of foam plastics in building construction.

(2) FLAME SPREAD AND SMOKE DEVELOPED CRITERIA. Except as otherwise provided, all foam plastic and foam plastic cores in manufactured assemblies used in building construction, shall have a flame spread rating of not more than 75 and a smoke developed rating of not more than 450 when tested in the maximum thickness intended for use in accordance with ASTM E84.

(3) THERMAL BARRIER. (a) Except as provided in subs. (4) to (7), foam plastics shall be separated from the interior of a building by an approved thermal barrier of ½ inch gypsum wallboard or equivalent thermal barrier material which will limit the average temperature rise of its unexposed surface to not more than 250°F. after 15 minutes of fire exposure as specified in the ASTM E119 standard time temperature curve or the equivalent using the Small Scale Horizontal Exposure Furnace, with samples for the test having a minimum length and width of 3 feet by 3 feet.

(b) The thermal barrier shall be installed in such a manner that it will remain in place for at least 15 minutes based upon approved diversified tests.

(4) EXTERIOR APPLICATIONS. The following requirements shall apply to all exterior uses of foam plastics unless specifically approved as specified in sub. (7):

(a) *Masonry or concrete components.* Foam plastics may be used without the thermal barrier specified in sub. (3) regardless of the class of construction, when the foam plastic is protected by a minimum of one inch thickness of masonry or concrete in a wall or floor system;

(b) *Noncombustible hourly rated and combustible hourly rated construction.* Foam plastics may be used within the cavity or as an element of a noncombustible hourly rated or combustible hourly rated system or assembly provided:

1. The system or assembly meets the requirements of s. ILHR 51.04 for time-rated construction;

2. a. Except as provided in subpar. b., a thermal barrier as specified in sub. (3) is provided;

b. The thermal barrier may be omitted for exterior walls provided that the foam plastic insulation does not exceed 4 inches in thickness, has a flame spread rating of 25 or less, and is covered by a thickness of not less than 0.032 inch aluminum or corrosion-resistant sheet steel having a base metal thickness of 0.016 inches and the wall height does not exceed 50 feet and the entire building or that portion of the building closed by the walls is protected with an automatic fire sprinkler system; and

3. a. Except as provided in subpar. b., the exterior side of the assembly or system is covered with a cladding material meeting the requirements for noncombustible construction, and the wall assembly shall not propagate flame over the surface or through the core when subjected to a full scale test with the assembly in its end use condition or when subjected to an approved diversified test;

b. The exterior coating, facing or cladding material for walls may be of other than noncombustible material provided that the foam plastic core, coating, facing and cladding, each when tested individually shall have a flame spread of 25 or less and a smoke developed rating of 450 or less when tested in accordance with ASTM E84; facing, coating, cladding and core material shall be fastened to each other to prohibit failure in bond as a result of temperature which may be experienced in a building fire, or from winds or other conditions; and the wall assembly shall not propagate flame over the surface or through the core when subjected to a full scale test with the assembly in its end use condition or when subjected to an approved diversified test.

(c) *Noncombustible 0-hour (NC-0) rated construction.* Foam plastics may be used within the cavity or as an element of noncombustible 0-hour (NC-0) rated construction provided the following conditions are satisfied:

1. The foam plastic core material has a flame spread of 25 or less and a smoke developed rating of 450 or less when tested in accordance with ASTM E 84;

2. a. Except as provided in subpar. b., a thermal barrier as specified in sub. (3) is provided;

b. The thermal barrier may be omitted for exterior walls provided that the foam plastic insulation does not exceed 4 inches in thickness, and is covered by a thickness of not less than 0.032 inch aluminum or corrosion-resistant sheet steel having a base metal thickness of 0.016 inches and the wall height does not exceed 50 feet and the entire building or that portion of the building enclosed by the walls is protected with an automatic fire sprinkler system; and

3. a. The exterior side of the assembly or system is covered with a cladding material meeting the requirements for noncombustible construction as specified in s. ILHR 51.01 (86);

b. The exterior coating, facing or cladding material for walls may be of other than noncombustible material provided that the coating, facing and cladding, shall have a flame spread of 25 or less and a smoke developed rating of 450 or less when tested in accordance with ASTM E 84;

c. The facing, coating, cladding and core material shall be fastened to each other to prohibit failure in bond as a result of temperature which may be experienced in a building fire, or from winds or other conditions; and

d. The wall assembly shall not propagate flame over the surface or through the core when subjected to a full scale test with the assembly in its end use condition or when subjected to an approved diversified test.

Note: Light-transmitting plastic veneer or combustible veneer materials conforming to the requirements of this paragraph need not meet the height and area limitations for light-transmitting plastics (see s. ILHR 51.065).

(d) *Combustible nonrated construction.* Foam plastic insulation may be used within the cavity or as an element of combustible nonrated construction (0) provided the following conditions are satisfied:

1. The distance to a property line or other building on the same property meets the requirements of Table 51.03-A;
2. Thermal barriers as specified in sub. (3) are provided; and
3. The exterior side of the assembly or system is covered with a cladding material meeting the requirements for combustible construction as specified in Table 51.03-A.

(e) *Roofing.* Foam plastic may be used as part of a class A, B or C or unclassified roof covering as specified in s. ILHR 51.05. The foam plastic:

1. Shall not be limited as to smoke development rating;
2. May not be limited as to flame spread rating if it is a component of a factory-made composite insulation or assembly and the roof system complies with the calorimeter requirements of FM 4450 or UL 1256;
3. May be installed without a protective thermal barrier if the foam plastic has a flame spread rating of 75 or less when tested at the maximum thickness intended for use and the roof system complies with the calorimeter requirements of FM 4450 or UL 1256; and
4. May be installed without a protective thermal barrier if the foam plastic has a flame spread rating of 75 or less when tested at the maximum thickness intended for use and the foam plastic is separated from the building interior by a minimum of one inch thickness of masonry or concrete or a minimum of ½ inch thickness plywood bonded with exterior glue and properly edge supported, or equivalent.

(5) **OTHER APPLICATIONS.** (a) *Interior construction.* Foam plastic may be used as an element of or attached to interior construction components, including walls, partitions, floor/ceiling assemblies and similar components that divide interior spaces within the building, as follows:

1. Within the cavity or as an element of a noncombustible hourly rated or combustible hourly rated system or assembly provided the system or assembly meets the requirements of s. ILHR 51.04 for time-rated construction for at least one hour with a fire exposure on both sides of the system or assembly; or
2. Within the cavity or as an element of noncombustible 0-hour (NC-0) rated construction or combustible nonrated construction (0) provided the foam plastic is protected on both sides by a thermal barrier as specified in sub. (3).

(b) *Attics and crawl spaces.* 1. Attics may be insulated with unprotected foam plastic provided the ceiling between the attic and the occupied space is covered by ½ inch gypsum wallboard or equivalent and the attic space is not used for storage or air handling purposes.

2. Crawl space walls may be insulated with unprotected foam plastic provided the floor between the crawl space and the occupied space consists of at least ¾ inch tongue and groove plywood sheathing or equivalent, and the

crawl space is not used for storage or air handling purposes.

3. Foam plastic shall be protected by a thermal barrier as specified in sub. (3) when the foam plastic is installed in an attic or crawl space and the area is used for storage or air handling purposes.

(c) *Doors and shutters.* 1. a. Except as provided in subpar. b., where doors and shutters are permitted without a fire-resistive rating, foam plastic having a flame spread rating of 75 or less may be used as a core material when the facing is metal having a minimum thickness of 0.032 inch aluminum or sheet steel having a minimum thickness of 0.0160 inch.

b. Foam plastic core sectional overhead doors covered by at least ¾ inch thick hardboard may be used wherever nonrated combustible doors are permitted.

2. A thermal barrier is not required for doors and shutters meeting the requirements specified in subd. 1.

(d) *Siding backer board.* Foam plastic not more than ½ inch thick may be used as siding backer board provided it is separated from the interior of the building by not less than 2 inches of mineral fiber insulation or equivalent in lieu of the thermal barrier or when applied as insulation when residing over existing wall construction.

(e) *Decorative trim.* Foam plastic used as decorative trim shall conform with the provisions of s. ILHR 51.07.

(f) *Protection from ultraviolet light.* Foam plastic insulation installed on the exterior of buildings above grade shall be permanently covered or protected to prevent degradation caused by exposure to ultraviolet light.

(6) **SPECIFIC APPLICATIONS.** (a) *Refrigerated facilities.* 1. Except as provided in subd. 2., foam plastic installed and meeting the requirements of sub. (2) when tested in a thickness of 4 inches may be used in thicknesses up to 10 inches in cold storage rooms, refrigerated food processing rooms, ice plants and similar areas. The foam plastic for refrigerated rooms within a building shall be protected on both sides by a thermal barrier as specified in sub. (3).

2. Except as provided in subd. 3., foam plastic insulation may be used without the thermal barrier when the foam plastic has a flame spread rating of 25 or less when tested as specified in subd. 1., is covered by not less than 0.032 inch of aluminum or corrosion-resistant steel having a base metal thickness not less than 0.016 inch at any point and is protected by an automatic fire sprinkler system. When a cooler or freezer module is located within a building, both the cooler or freezer module and that part of the building in which the module is located shall be protected by an automatic fire sprinkler system.

3. a. Foam plastics may be used in a thickness up to 4 inches in freestanding coolers or freezers having an aggregate floor area less than 400 square feet without a thermal barrier and without an automatic fire sprinkler system; or

b. Freezer warehouses may be constructed without automatic fire sprinkler system protection provided the entire freezer warehouse is equipped with a fire detection system conforming to NFPA 72E and the system is connected to a constantly attended station; the freezer warehouse is separated from all other use areas of the

ILHR 51.06

building (i.e., offices, loading docks, nonrefrigerated storage, mechanical rooms) by at least 2-hour fire-resistive rated construction; the freezer warehouse or separated freezer warehouse part within a building is located to provide at least 30 foot separation to any property line or other building on the same property; and the foam plastic material complies with the provisions of sub. (7).

Note: See ss. ILHR 52.01 to 52.013 for additional rules pertaining to automatic fire sprinkler systems.

(b) *Bulk vegetable storage.* Buildings used exclusively for the bulk storage of vegetables shall have the foam plastic insulation protected on the occupied side by $\frac{1}{2}$ inch exterior grade plywood, or equivalent.

(7) **SPECIFIC MATERIALS APPROVAL.** Foam plastic not meeting the requirements of this section may be approved by the department for specific application based on the submittal and written acceptance of data from approved diversified tests.

Note: See s. ILHR 50.19 for additional information pertaining to product approval.

History: Cr. Register, May, 1979, No. 281, eff. 6-1-79; cr. (3) (b) 8. a., Register, May, 1980, No. 293, eff. 6-1-80; cr. (3) (b) 11., Register, December, 1981, No. 312, eff. 1-1-82; r. and recr. Register, December, 1983, No. 336, eff. 1-1-84; am. (2), (3) (a), (4) (b) 3.b., (4) (c) 1. and 3.b. and (4) (e) 2. and 3., Register, August, 1985, No. 356, eff. 1-1-86; am. (4) (b) 1. and (6) (a) 3. b., Register, March, 1991, No. 423, eff. 4-1-91; am. (4) (e) 2. and 3. and (5) (b) 3., Register, January, 1994, No. 457, eff. 2-1-94.

ILHR 51.065 Light-transmitting plastics. (1) SCOPE. (a) The requirements of this section shall apply to the quality and methods of application of plastics for use as light-transmitting materials in buildings and structures. When used as interior finish, plastic materials shall meet the requirements of s. ILHR 51.07.

(b) 1. Approved light-transmitting plastic specified under s. ILHR 50.19 shall meet one of the following combustibility classifications:

a. CC 1 — Plastic materials which have a burning extent of one inch per minute or less when tested in nominal 0.060 inch-thickness or in the thickness intended for use by ASTM D 635; or

b. CC 2 — Plastic materials which have a burning rate of 2.5 inches per minute or less when tested in nominal 0.060 inch-thickness or in the thickness intended for use by ASTM D 635.

2. Light-transmitting plastic materials may be of any class as defined by this section. Before any light-transmitting plastic material may be approved for use, the manufacturer shall file with the department technical data which relates to the proposed use of the material. The data shall include the pertinent physical, mechanical and thermal properties, such as but not limited to weather resistance, expansion coefficient and combustibility characteristics. The department shall determine the adequacy of the data. Where the department determines that the material is satisfactory for the intended use, approval of the material shall be granted subject to the limitations specified in this section.

Note: See s. ILHR 50.19 for additional information.

3. The department shall review and make a determination on an application for approval of light-transmitting Register, January, 1994, No. 457

plastic material within 30 business days of receipt of all technical data required to complete the review.

(c) All light-transmitting plastic materials approved for use under this section or s. ILHR 50.19 shall be identified by the trade formula, number or name.

(2) **DEFINITIONS.** For the purpose of this section, the following definitions shall apply.

(a) "Approved light-transmitting plastic" means a single layer or multilayered composite consisting of thermoplastic, thermosetting or reinforced plastic material which has a self-ignition temperature [of] 650° F or greater when tested in accordance with ASTM D 1929, a smoke density rating no greater than 450 when tested in accordance with ASTM E 84 in the way intended for use, or a smoke density rating no greater than 75 when tested in the thickness intended for use by ASTM D 2843. Multilayered composite material shall comply as a composite in the configuration intended for use.

(b) "Glass fiber reinforced plastic" means plastic reinforced with glass fiber having not less than 20% of glass fibers by weight.

(c) "Interior secondary glazing system" means construction consisting of a glazed panel of approved light-transmitting plastic positioned on the interior side of a primary window set in an exterior wall which is designed primarily to control energy losses through exterior windows or glazed panels and is not intended for use as primary or exterior windows.

(d) "Light diffusing system" means a suspended construction consisting in whole or in part of lenses, panels, grids or baffles suspended below independently mounted electrical lighting sources.

(e) "Plastic glazing" means single glazing plastic materials which are glazed or set in a frame or sash and not held by mechanical fasteners which pass through the glazing material.

(f) "Plastic roof panels" means single glazing plastic materials which are fastened to structural members or to structural panels or sheathing and which are used as light-transmitting media in the plane of the roof.

(g) "Plastic wall panels" means single glazing plastic materials which are fastened to structural members or to structural panels or sheathing and which are used as light-transmitting media in exterior walls.

(h) "Thermoplastic material" means a plastic material which is capable of being repeatedly softened by increase of temperature and hardened by decrease of temperature.

(i) "Thermosetting material" means a plastic material which is capable of being changed into a substantially non-reformable product when cured.

(3) **GLAZING OF UNPROTECTED OPENINGS.** (a) *General.* Doors, sash and openings which are not required to be protected with fire window or glass block assemblies may be glazed with approved light-transmitting plastic in the following occupancies:

Note: See Table 51.03-B for additional requirements pertaining to windows and wall openings.

1. Schools and Other Places of Instruction under ch. ILHR 56;

2. Residential Occupancies under ch. ILHR 57; and

3. All other occupancies under chs. ILHR 54, 55, 58, 59, 60, 61 and 62, subject to the following requirements:

a. Except as provided in par. (b), the area of such light-transmitting plastic glazing may not exceed 25% of the wall face of the story in which it is installed;

b. Except as provided in par. (b) 2., the area of a pane of light-transmitting plastic glazing installed above the first story shall not exceed 16 square feet where the vertical dimension of a pane may not exceed 4 feet and there shall be a spandrel constructed of materials meeting the requirements for exterior walls of s. ILHR 51.03 and Table 51.03-A for the class of construction utilized between stories measuring a minimum of 3 feet in the vertical dimension;

c. Except as provided in par. (b) 2., approved light-transmitting plastics shall not be installed more than 75 feet above grade level;

d. Combinations of light-transmitting plastic glazing and light-transmitting plastic wall panels shall be subject to the area, height and percentage limitations and separation requirements applicable to the class of plastics as specified in sub. (4).

(b) *Exceptions.* 1. Approved light-transmitting plastic glazing may be installed in areas up to 50% of the wall area of each story in structures less than 75 feet in height which are provided on each floor above the first floor with fire canopies projecting at least 3 feet from the surface of the wall and extending at least 3 feet horizontally beyond the edge of the opening above, or equivalent. The size and dimension requirements specified in par. (a) 3. b. shall not apply.

2. Where an approved automatic fire sprinkler system is provided, the permissible area of light-transmitting plastic glazing permitted by par. (a) 3. a. may be increased to a maximum of 50% of the wall face of the story in which the glazing is installed and shall be exempt from the requirements specified in par. (a) 3. b. and c.

(4) **EXTERIOR WALL PANELS.** (a) *General.* Subject to requirements specified in par. (b), approved light-transmitting plastics may be used as wall panels in exterior walls not requiring a fire-resistive rating in all occupancies except the following:

1. Theaters and Assembly Halls under ch. ILHR 55;

2. Health Care, Correctional and Detention Facilities under ch. ILHR 58; and

3. All high hazard occupancies.

(b) *Area and separation limitations.* 1. Except as provided in par. (c), area limitation and separation requirements of exterior light-transmitting plastic wall panels shall be as specified in Table 51.065-1.

2. Vertical spandrel wall separation constructed of materials meeting the requirements for exterior walls of s. ILHR 51.03 and Table 51.03-A for the class of construction utilized between stories shall be:

a. Three feet for CC 1 plastic wall panels; or

b. Four feet for CC 2 plastic wall panels.

TABLE 51.065-1

AREA LIMITATION AND SEPARATION REQUIREMENTS FOR LIGHT-TRANSMITTING PLASTIC WALL PANELS*

Set-Back Distance to Property Line or Other Walls on Same Property	Class of Plastic	Maximum % Area of Exterior Walls in Plastic Panels	Maximum Single Area (Square Feet)	Minimum Separation of Panels (Feet)	
				Vertical	Horizontal
5 feet or less	—	NP	NP	—	—
5 feet or more but less than 10 feet	CC 1	10	50	8	4
	CC 2	NP	NP	—	—
10 feet or more but less than 30 feet	CC 1	25	90	6	4
	CC 2	15	70	8	4
Over 30 feet	CC 1	50	Not limited	3	0
	CC 2	25	100	6	3

N.P. means not permitted

* The requirements of this Table do not apply to greenhouses. See ch. ILHR 62, subch. VI.

(c) *Exceptions.* 1. In structures which are provided on any floor above the first with continuous horizontal projections extending at least 36 inches from the surface of the wall in which light-transmitting plastic wall panels are installed, there need be no vertical separation at that floor except that provided by the vertical thickness of the projection.

2. Where an approved automatic fire sprinkler system is provided in the building, the maximum percent area of light-transmitting plastic panels in the exterior wall and the maximum square feet of single area given in Table 51.065-1 may be increased 100% but in no case may the area of light-transmitting plastic wall panels exceed 50% of the wall area.

(5) **ROOF PANELS.** (a) *General.* Except in chs. ILHR 55 and 58 occupancies and high hazard occupancies, approved light-transmitting plastic roof panels may be installed as follows, subject to the requirements specified in par. (b):

1. In roofs of buildings protected by an approved automatic fire sprinkler system;

2. Where the roof is not required to have a fire resistance rating; or

3. Where the light-transmitting plastic roof panels meet the requirements for roof coverings of the appropriate class of construction.

Note: See s. A52.011 for additional information regarding high hazard occupancies.

ILHR 51.065

(b) *Limitations.* Except as provided in par. (c), the use of light-transmitting plastic roof panels shall be limited as follows:

1. Individual light-transmitting plastic roof panels or units shall be separated from each other by a distance of not less than 4 feet measured in a horizontal plane.
2. Where exterior wall openings are required to be protected, no light-transmitting plastic roof panels or units may be installed within 8 feet of such exterior wall.
3. Light-transmitting plastic roof panels or units shall be limited in area and the aggregate area of panels shall be limited by a percentage of the floor area of the room or space sheltered in accordance with Table 51.065-2.

TABLE 51.065-2*
AREA LIMITATIONS FOR
LIGHT-TRANSMITTING PLASTIC ROOF PANELS AND SKYLIGHTS

Class of Plastic	Maximum Area Individual Unit or Panel (sq. ft.)	Maximum Aggregate Area (% of Floor Area)
CC 1	300	33½
CC 2	100	25

* The requirements of this table do not apply to greenhouses. See ch. ILHR 62, subch. VI.

(c) *Exceptions.* 1. One-story buildings not more than 16 feet in height and not exceeding 1200 square feet in area and not closer than 10 feet to another building are exempt from the limitations specified in par. (b).

2. Low-hazard use areas such as swimming pool shelters and similar structures, are exempt from the area limitations specified in par. (b) provided they do not exceed 5,000 square feet in projected floor area and are not closer than 10 feet to the property line or adjacent buildings.

Note: See s. A52.011 for additional information regarding low hazard occupancies.

(6) **SKYLIGHTS.** (a) *General.* Subject to the requirements of par. (b), skylight assemblies may be glazed with approved light-transmitting plastic in all but high hazard occupancies.

Note: See s. A52.011 for additional information regarding high hazard occupancies.

(b) *Limitations.* Except as provided in par. (c), the use of skylights with approved light-transmitting plastic glazing shall be limited as follows:

1. The light-transmitting plastic shall be mounted at least 4 inches above the plane of the roof on a curb construction consistent with that required for the class of construction of the building;
2. Dome-shaped skylights shall rise above the mounting flange a minimum distance equal to 10% of the maximum span of the dome but not less than 5 inches;
3. The edges of the light-transmitting plastic skylights or dome shall be protected by metal or noncombustible material;
4. Each skylight unit of CC 1 material may have a maximum of 300 square feet within the curb and each skylight

unit of CC 2 material may have a maximum of 100 square feet within the curb;

5. The aggregate area of skylights may not exceed 33½% when CC 1 materials are used, and 25% when CC 2 materials are used, of the floor area of the room or space sheltered by the roof in which they are installed;

6. Skylights shall be separated from each other by a distance of not less than 4 feet measured in a horizontal plane; and

7. Where exterior wall openings are required to be fire protected, no skylight may be installed within 6 feet of such exterior wall.

8. Combinations of light-transmitting plastic roof panels and skylights shall be subject to the area and percentage limitations and separation requirements as specified in sub. (5) (b).

(c) *Exceptions.* 1. The requirements of par. (b) shall not apply, if:

a. The building on which the skylights of approved light-transmitting plastic glazing are located is not more than one story in height, is located not less than 30 feet from a property line and any other building on the property, and the room or space sheltered by the skylight is not a means of egress, a ch. ILHR 58 occupancy, or a high hazard occupancy; or

b. The approved light-transmitting plastic material meets the roof cover requirements for the appropriate class of construction.

2. Except in chs. ILHR 55 and 58 occupancies and high hazard occupancies, the requirements specified in par. (b) 4. to 6. shall not apply to skylights with approved light-transmitting plastic glazing provided:

a. The skylight serves as a fire venting system approved by a petition for variance as specified in s. ILHR 50.25; or

b. The skylight is used in a building equipped with an approved automatic fire sprinkler system.

(7) **LIGHT-DIFFUSING SYSTEMS.** (a) *Light diffusers.* 1. Unless protected with an approved automatic fire sprinkler system, plastic light-diffusing systems may not be installed in:

- a. Theaters and assembly halls under ch. ILHR 55;
- b. Health care, correctional and detention facilities under ch. ILHR 58; and
- c. High hazard occupancies.

Note: See s. A52.011 for additional information regarding high hazard occupancies.

2. Plastic light-diffuser panels shall be supported directly or indirectly from ceiling or roof construction by use of noncombustible hangers.

3. No plastic light-diffusing system may be installed in areas required to be equipped with automatic sprinklers unless appropriate tests by a recognized laboratory have shown that such system does not prevent effective operation of the sprinklers or unless sprinklers are located both

above and below the light-diffusing system to give effective sprinkler protection.

4. Approved plastic materials for light-diffusing systems shall comply with s. ILHR 51.07 unless the plastic panels comply with the following:

a. Fall from their mounting at an ambient temperature of at least 200°F. below the self-ignition temperature of the plastic material as measured by ASTM D 1929;

b. Remain in place at an ambient room temperature of 175°F. for a period of not less than 15 minutes; and

c. The maximum length of any single plastic panel does not exceed 10 feet and the maximum area of any single light diffuser does not exceed 30 square feet.

(b) *Electrical lighting fixtures.* Plastic light-transmitting panels and light-diffuser panels installed in approved electrical lighting fixtures shall comply with the requirements specified in par. (a) 4. a. to c.

(8) **EXTERIOR VENEER.** Approved light-transmitting plastic material may be installed as an exterior veneer for any building, provided:

(a) The plastic veneer may not be attached to any exterior wall to a height greater than 35 feet above grade;

(b) Sections of plastic veneer may not exceed 200 square feet in area; and

(c) Sections of plastic veneer shall be separated by a minimum of 4 feet vertically.

(9) **INTERIOR SECONDARY GLAZING SYSTEMS.** (a) Light-transmitting plastic materials used in interior secondary glazing systems shall comply with the requirements of s. ILHR 51.07 unless the approved plastic used in the interior secondary glazing system meets the following requirements:

1. The approved plastic used as the glazing falls from its mounting either with or without its frame or sash at an ambient temperature of at least 200° F. below the self-ignition temperature of the plastic material as measured by ASTM D 1929;

2. Interior secondary glazing system is not installed over windows required for egress unless approved tests have shown that the system does not interfere with egress from the window; and

3. The maximum length of any single plastic panel does not exceed 10 feet and the maximum area of any single panel does not exceed 30 square feet.

History: Cr. Register, December, 1983, No. 336, eff. 1-1-84; cr. (1) (b) 3., Register, January, 1985, No. 349, eff. 2-1-85; am. (1) (b) 1. a. and b., (2)

(a), Table 2, (6) (c) 2. a., (7) (a) 4.a. and (9) (a) 1. Register, August, 1985, No. 356, eff. 1-1-86; am. (1) (b) 1. intro., a. and b., (2) (a), Register, January, 1994, No. 457, eff. 2-1-94.

ILHR 51.07 Interior finishes. (1) SCOPE. The requirements of this section apply to the interior finishes or surfaces of a building.

Note #1: See s. ILHR 51.06 for the restrictions of foam plastics.

Note #2: Toxicity of the products of combustion is not included as a basis in determining the smoke developed criteria of this section. The smoke developed criteria is based solely upon the obscuration of light.

(2) **APPLICATION TO MATERIALS.** (a) Except as provided in par. (b), the classification of interior finish materials as specified in this section shall include the basic material used by itself or in combination with other materials.

(b) Subsequently applied paint or wall covering not exceeding 1/28 inch in thickness and classified 450 or less on the smoke test scale are exempt from the provisions of par. (a).

(3) **TRIM AND INCIDENTAL FINISH.** (a) Interior finish not in excess of 10% of the aggregate wall and ceiling areas of any room or space may be Class C materials in occupancies where interior finish of Class A or Class B is required.

(b) In addition to the other requirements of this section, foam plastic used as interior trim and incidental finish shall also comply with the following:

1. The minimum density is 20 pounds per cubic foot;

2. The maximum thickness of the trim is ½ inch and the maximum width is 4 inches;

3. The trim constitutes no more than 10% of the area of any wall or ceiling; and

4. The flame-spread rating does not exceed 75 when tested in accordance with ASTM E-84 and the smoke developed rating is not limited.

(4) **EXPOSED CONSTRUCTION.** (a) This section does not require the installation of interior finish, but where construction or fire protection materials are exposed in rooms or spaces used for the occupancies specified, the hazard from rate of flame spread of the exposed materials shall be not greater than that of the interior finish permitted for such occupancy or use.

(b) Exposed portions of structural members of Type No. 4-Heavy Timber Construction shall not be subject to the interior finish requirements of this section.

(5) **USE OF INTERIOR FINISHES.** Interior finish material shall be used in accordance with requirements specified in Table 51.07.

ILHR 51.07

TABLE 51.07
MINIMUM INTERIOR FINISH REQUIREMENTS

Occupancy	Required Exit Enclosures ¹		Exit Access ^{1,2}		Rooms or Enclosed Spaces ^{1,2}	
	Walls & Ceilings ⁴	Floor ⁵	Walls & Ceilings ⁴	Floor ⁵	Walls & Ceilings ⁴	Floor ^{3,5}
Ch. ILHR 54 Occupancies Other than Storage and Warehouses	A	II	A or B	II	A, B or C	DOC FF-1 ⁶
Ch. ILHR 54 Storage and Warehouse Occupancies	A or B	DOC FF-1 ⁶	A or B	DOC FF-1 ⁶	A, B or C	DOC FF-1 ⁶
Ch. ILHR 55 Places of Assembly	A	I	A	II	A or B ⁷	DOC FF-1 ⁶
Ch. ILHR 56 Places of Instruction	A	I	A or B	II	A, B or C	DOC FF-1 ⁶
Ch. ILHR 57 Residential Occupancies	A	II	A or B	II	A, B or C	DOC FF-1 ⁶
Ch. ILHR 58 Health Care and Places of Detention	SEE CHAPTER ILHR 58 FOR SPECIFIC REQUIREMENTS					
Ch. ILHR 59 Hazardous Occupancies	A	DOC FF-1 ⁶	A or B	DOC FF-1 ⁶	A, B or C	DOC FF-1 ⁶
Ch. ILHR 60 Day Care Centers (20 Children or Less)	A or B	DOC FF-1 ⁶	A or B	DOC FF-1 ⁶	A, B or C	DOC FF-1 ⁶
Ch. ILHR 60 Day Care Centers (More than 20 Children)	A	II	A or B	II	A, B or C	DOC FF-1 ⁶
Ch. ILHR 62 Specialty Occupancies	A, B or C	DOC FF-1 ⁶	A, B or C	DOC FF-1 ⁶	A, B or C	DOC FF-1 ⁶

Notes to Table 51.07

1. Exposed portions of structural members of Type No. 4-Heavy Timber Construction are not subject to the requirements of this table.

2. Where a complete automatic sprinkler system is installed, materials with an interior finish of Class B or C may be used in places where Class A or B materials, respectively, are required and floor finish materials with an interior finish of Class II or materials complying with the DOC FF-1-70 "pill test" may be used in places where Class I or II materials, respectively, are required.

3. Requirements for rooms or enclosed spaces are based upon the spaces being separated from exit access corridors and exits by partitions extending from the floor to the ceiling. Where the room or enclosed space is not separated from the exit access corridor, the room or space is considered part of the exit access or the exit.

4. Materials having napped, tufted, looped or similar surfaces, such as carpet, when applied on walls or ceilings shall meet the requirements for Class A interior finish.

5. Wood, vinyl, linoleum, terrazzo, resilient and other approved finished floors or floor covering materials are exempt from the provisions of this table.

6. All carpet manufactured for sale in the U.S. is required by federal regulations to comply with the DOC FF-1-70 "pill test" (16 CFR Para 1630). If a material other than carpet is used, the material should be shown to be resistant to flame propagation as a material which passes the DOC FF-1-70 test (minimum critical radiant flux of 0.04 watts/cm²).

7. Class C interior finish materials may be used in places of assembly with a capacity of 400 persons or less.

(6) APPLICATION OF INTERIOR FINISH. (a) *Attachment.* Interior finish materials shall be applied or otherwise fastened in such a manner that they will not readily become detached when subjected to room temperature of 200° F. or less for 30 minutes, or otherwise become loose through changes in the setting medium from the effects of time or conditions or occupancy.

(b) *Application to structural elements.* 1. Interior finish materials applied to walls, ceilings or structural elements of a building or structure which are required to be of fire-resistive rated or noncombustible construction shall be applied directly against the exposed surface of such structural elements or to furring strips attached to such surfaces.

2. Where furring strips are used, all concealed spaces shall be firestopped into areas not greater than 10 square feet in area or 8 feet in any dimension.

(c) *Furred construction.* Where walls, ceilings or other structural elements are required to be of fire-resistive rated or noncombustible construction, and the interior finish

is set out or dropped distances greater than 1¾ inches from the surface of the elements, only material of which both faces qualify as Class A shall be used, unless the finish material is protected on both sides by an approved automatic fire suppression system or is attached to a noncombustible backing as specified in par. (e) or to furring strips applied directly to such backing as specified in par. (b).

(d) *Class B and C finish materials.* Interior finish materials, other than Class A materials, which are less than ¼ inch in thickness shall be applied directly against a noncombustible backing or a backing of fire-retardant treated wood unless the tests under which the material has been classified were made with the materials suspended from the noncombustible backing.

(e) *Backing material.* 1. Backing for interior finish materials shall be a continuous surface with permanently tight joints, equal in area to the area of the finish, and extending completely behind such finish in all directions.

2. Backing shall be of noncombustible or fire retardant treated wood materials.

3. When the backing does not constitute an integral part of the structural elements or system, it shall be attached directly to the structural elements or to furring strips as specified in par. (b) or may be suspended from the structural members at any distance provided concealed spaces are firestopped as specified in s. ILHR 53.63 (1).

Note: See s. ILHR 51.01 (75a) for further explanatory information.
 Class A Interior Finish — flame spread 0-25, smoke developed 0-450.
 Class B Interior Finish — flame spread 26-75, smoke developed 0-450.
 Class C Interior Finish — flame spread 76-200, smoke developed 0-450.
 Class I Interior Floor Finish — critical radiant flux — .45 watts/cm²
 Class II Interior Floor Finish — critical radiant flux — .22 watts/cm²

History: Cr. Register, December, 1981, No. 312, eff. 1-1-82; am. table, Register, October, 1982, No. 322, eff. 11-1-82; renum. (3) to be (3) (a), cr. (3) (b) and (6), Register, December, 1983, No. 336, eff. 1-1-84; am. (6) (d) (intro.), Register, August, 1985, No. 356, eff. 1-1-86.

ILHR 51.08 Occupancy separations. (1) When a building is used for more than one occupancy purpose, each part of the building comprising a distinct occupancy division shall

be separated from any other occupancy division in accordance with Table 51.08.

(2) (a) Except as provided in par. (b), any building governed by chs. ILHR 50 to 64 that is attached to a single-family residence shall have a separation that is equivalent to the most stringent fire ratings required by chs. ILHR 50 to 64 for the construction features of the building.

(b) The separation specified in par. (a) is not required where the attached residence includes construction features that provide compliance with the applicable requirements of chs. ILHR 50 to 64, including but not limited to, furnace and garage isolation, shaft enclosures, class of construction, number of stories, and distance to property lines or other buildings.

(3) Openings in occupancy separations shall be protected by fire-door assemblies as specified in s. ILHR 51.047 or by fire-window assemblies as specified in s. ILHR 51.048.

TABLE 51.08
 OCCUPANCY SEPARATIONS
 Minimum Fire Resistive Ratings in Hours

Occupancies	Ch 54	Ch 55		Ch 56	Ch 57	Ch 58		Ch 59				Ch 60	Ch 61	Ch 62 Open Park'g Struc.
		Occu- pants ≤750	Occu- pants >750			Health Care	Deten- tion	≤500 sq ft		>500 sq ft				
								Storage	Repair	Storage	Repair			
Ch 54	0	3 ^a	4 ^a	0	i	2 ^a	2 ^b	1 ^{c,d}	2	2 ^{c,d}	3	0	0	NC-2
Ch 55 ≤750 occupants >750 occupants	3 ^a 4 ^a	3 ^e 4 ^e	4 ^e 4 ^e	3 ^{f,g} 4 ^{f,g}	3 4	3 ^a 4 ^a	3 ^b 4 ^b	3 3	4 4	3 3	4 4	3 ^h 4 ^h	3 4	3 4
Ch 56	0	3 ^{f,g}	4 ^{f,g}	0	i	2 ^a	2 ^b	2	3	2	3	0	0	NC-2
Ch 57	i	3	4	i	i	2 ^a	2 ^b	1 ^c	2	2 ^{c,j}	3	i	i	NC-2
Ch 58 Health Care Detention	2 ^a 2 ^b	3 ^a 3 ^b	4 ^a 4 ^b	2 ^a 2 ^b	2 ^a 2 ^b	0 2 ^b	2 ^b 0	3 3	4 4	3 3	4 4	2 2	2 2	NC-2 NC-2
Ch 59 Storage ≤500 sq ft Repair ≤500 sq ft Storage >500 sq ft Repair >500 sq ft	1 ^{c,d} 2 2 ^{c,d} 3	3 4 3 4	3 4 3 4	2 3 2 3	1 ^c 2 2 ^{c,j} 3	3 4 3 4	3 4 3 4	0 1 ^k 1 ^k 1 ^k	1 ^k 0 1 ^k 1 ^k	1 ^k 1 ^k 0 1 ^k	1 ^k 1 ^k 1 ^k 0	1 2 2 3	m 2 m 3	1 ^k 1 ^k 1 ^k 1 ^k
Ch 60	0	3 ^h	4 ^h	0	i	2	2	1	1	2	3	0	0	NC-2
Ch 61	0	3	4	0	i	2	2	m	2	m	3	0	0	NC-2
Ch 62 Open Parking Structures	NC-2	3	4	NC-2	NC-2	NC-2	NC-2	1 ^k	1 ^k	1 ^k	1 ^k	NC-2	NC-2	0

Keys and Examples: NC = Noncombustible construction; 0 = 0 (No hourly rating); NC-2 = Noncombustible construction 2-hour rating

FOOTNOTES TO TABLE 51.08:

a. Auditoriums, chapels, residential facilities and other similar areas provided for the patients or employes of health care facilities need not be separated from the health care facility. Also, administrative offices, doctors' offices, medical clinics and laboratories which are intended primarily to provide in-house services or support to the health care facility need not be separated from the health care facility. Doctor's offices, medical clinics and other similar areas which are intended to provide out-patient services independent of the health care facility shall be separated in accordance with the table.

b. Auditoriums, chapels, residential facilities, administrative offices, medical clinics, educational facilities, workshops and other similar areas which are provided for the residents or employes of the detention facility need not be separated from the facility.

c. An occupancy separation need not be provided within a fire station or other similar facility to separate vehicles from other areas of the building, if the vehicles are directly and permanently related to the functions of the building.

d. An occupancy separation need not be provided within an office, factory or warehouse occupancy to separate a storage garage accommodating one or 2 vehicles which are directly related to the functions of that occupancy. If a storage garage accommodating one or 2 vehicles within an office, factory or warehouse occupancy is part of a multi-occupancy/multi-tenant building (i.e., strip shopping center), the occupancy separation shall be provided at least at the adjoining tenants' walls.

e. An occupancy separation need not be provided to separate 2 adjoining assembly hall areas or functions located within the same building, if the operation or control of the 2 assembly areas are under the same owner or tenant.

ILHR 51.08

f. An occupancy separation need not be provided between a church and a day school operated by the church provided both occupancies conform with the most restrictive requirements of chs. ILHR 55 and 56.

g. An occupancy separation need not be provided between an assembly hall or theater and an instructional facility regulated under ch. ILHR 56 if the operation and control of the two occupancies is under the same owner.

h. An occupancy separation need not be provided to separate a day care center from an assembly hall occupancy, if the day care center conforms with the more stringent requirements of ch. ILHR 55.

i. See s. ILHR 57.01 concerning living unit separations.

j. Storage garages, attached to residential occupancies under the scope of ch. ILHR 57, may be separated from a residential occupancy by at least one-hour fire-resistive construction, if the storage garage is divided by walls with at least one-hour fire-resistive ratings into spaces with floor areas not exceeding 600 square feet.

k. An occupancy separation need not be provided to separate adjoining storage garages, repair garages or open parking structures which are located within the same building, if the entire building conforms to the most stringent occupancy requirements of chs. ILHR 59 and 62, subch. I.

m. Storage garages, attached to CBRF occupancies under the scope of ch. ILHR 61, may be separated from a CBRF by:

- Common walls between the garage and the CBRF protected with not less than one layer of ½-inch Type X gypsum board with taped joints, or equivalent, on the garage side and with not less than one layer of ½-inch gypsum board with taped joints, or equivalent, on the CBRF side;

- Floor-ceiling assemblies between garage and the CBRF protected with not less than one layer of ½-inch Type X gypsum board on the garage side of the ceiling or roof framing; and

- Openings between the garages and the CBRF protected by self-closing, 1½-inch solid wood core doors or with self-closing doors of equivalent fire resistive rating.

n. Public mausoleums constructed adjacent to or as part of an assembly hall need not be provided with an occupancy separation.

See s. ILHR 61.10 (2) concerning detached garages serving CBRF's.

History: 1-2-56; r. and recr. (2) (c), Register, October, 1967, No. 142, eff. 11-1-67; am. (2) (a), (b) and (c), Register, February, 1971, No. 182, eff. 7-1-71; r. and recr. (2) (a), (b) and (c) eff. 8-1-71 and expiring 1-1-72 and cr. (2) (a), (b) and (c) eff. 1-1-72, Register, July, 1971, No. 187; am. (2) (b) 1., Register, December, 1978, No. 276, eff. 1-1-79; r. and recr. (2), Register, December, 1981, No. 312, eff. 1-1-82; am. (2) (a) and (b) (intro.), Register, October, 1982, No. 322, eff. 11-1-82; am. (2) (a) (intro.) and (b) (intro.), Register, August, 1985, No. 356 eff. 1-1-86; r. and recr. Register, February, 1991, No. 423, eff. 4-1-91; am. Table 51.08, Register, March, 1992, No. 435, eff. 4-1-92; renum (2) to be (3), cr. (2), Register, January, 1994, No. 457, eff. 2-1-94; am. Table 51.08 Footnote J, Register, March, 1995, No. 471, eff. 4-1-95.

ILHR 51.14 Safety glazing. (1) SCOPE. This section applies to fixed or operating glazed flat panels adjacent to doors; fire window assemblies; display cases within 7 feet of the floor in schools; skylights; sloped glazing and any other glazing materials used in hazardous impact areas which are not included within the scope of the federal consumer product safety commission (CPSC) standard for architectural glazing materials, 16 CFR, 1201.

Note: The CPSC standard for architectural glazing materials pre-empts state and local regulations for framed or unframed interior or exterior glazed doors, exterior doors with glazed lights, sliding doors and the adjacent glazed fixed or operating panel, storm doors, shower doors, walk-in mirror closet doors and tub enclosures.

(2) APPLICATION. All glazing material used in hazardous impact locations shall be safety glazing material. All replacements of glazing material in hazardous impact locations made after November 30, 1976, shall be safety glazing, except that the replacement of glazing shall be as specified in sub. (3).

(a) Location. Hazardous impact locations shall include all glazed elements such as framed or unframed interior or exterior glass doors, the first fixed or operating flat panel within 2 feet of nearest vertical edge of an entrance or exit door, exterior doors with glass lights, or any other glazed elements which may be mistaken for a means of egress or ingress to a room or building. Other hazardous impact locations shall include sliding doors and the adjacent glazed fixed or operating panel, storm doors, shower doors, tub enclosures and display cases within 7 feet of the floor in schools except as follows:

Register, March, 1995, No. 471

1. A fixed or operating flat panel immediately adjacent to an entrance or exit door is exempt from the requirements of this paragraph if the lower horizontal edge of the panel is 2 feet or more above the floor; or

2. Any mirror, framed glazed picture or similar decorative object which is attached to a door or wall in a hazardous impact location and which does not in whole or in part conceal any opening in such door or wall is exempt from the requirements of this paragraph.

(b) Material. Safety glazing shall include any glazing material including but not limited to tempered glass, laminated glass, wired glass, safety plastic, or safety insulating units which meet the test requirements of ANSI Z97.1, and which are constructed, treated or combined with other materials so as to minimize the likelihood of cutting and piercing injuries resulting from human impact with the glazing material.

(c) Labeling. Safety glazing material shall be labeled with a permanent label by such means as etching, sand blasting, firing of ceramic material, or hot die stamping. The label shall be legible and visible after installation. Labels identifying safety glazing materials may be omitted provided that a notarized affidavit or invoice is submitted to the department or owner upon request certifying the installation of safety glazing material. The label or affidavit shall identify the seller, manufacturer, fabricator, or installer, the nominal thickness and type of safety glazing material, and the fact that the material meets the test requirements of ANSI Z97.1.

(3) GUARDING OF GLAZING. All interior and exterior glazed panels, subject to human impact not in a hazardous impact location, shall be guarded or provided with safety glazing, except that glazed panels with a sill height of 2 feet or more, or glazed panels less than 12 inches in width, are not required to be safety glazed or guarded.

(a) Guarding shall consist of a horizontal bar, rail, mullion, grille or screen at least 1½ inches wide and located

within 3 feet 6 inches to 4 feet 6 inches above the floor. The guard assembly shall be capable of withstanding a lateral force of 100 pounds applied at any point and installed to avoid contact with the glazing when the force is applied.

(b) Safety glazing materials shall be as specified in sub. (2) (b).

(c) For replacement of glazing in buildings contracted for or existing prior to November 30, 1976, the installation of a horizontal bar, rail, mullion, grille or screen as a protective device may be provided in lieu of safety glazing material in hazardous impact locations where safety glazing would be impractical because of the size of the light required.

(4) **INTERIOR DOORS WITH GLASS LIGHTS.** (a) All interior doors with glass lights greater than 8 inches in the least dimension shall be provided with safety glazing material.

(b) All interior doors with glass lights less than 8 inches in the least dimension shall be provided with ¼-inch glazing material.

(c) Safety glazing materials shall be as specified in sub. (2) (b).

(5) **SKYLIGHTS AND SLOPED GLAZING.** (a) *Skylights.* All glazing in skylights shall be safety glazing material, and light-transmitting plastic shall comply with the requirements specified in s. ILHR 51.065 (5) or (6).

(b) *Sloped glazing.* All glazing installed more than 15° with the vertical shall be safety glazing material. This paragraph does not apply to greenhouses.

(c) 1. Except as provided in subd. 2., heat-strengthened glass or fully tempered glass if used in an overhead application shall have a screen or equivalent protection installed below the glass.

a. The screen shall be installed not more than 4 inches from the glass.

b. The screen shall be capable of supporting the weight of the glass.

c. The screen shall be constructed of noncombustible material not thinner than 0.08 inches.

d. The mesh in a screen may not be larger than one inch by one inch.

2. a. Fully-tempered glass may be used without a screen or equivalent protection, if the glass is at a slope of 30° or less from vertical and the highest point of the glass is 10 feet or less above any floor level under the sloped glass.

b. Glazing materials may be used without a screen or equivalent protection, if the walking surface or any other accessible area below the glazing is permanently protected from the risk of falling glass for a minimum horizontal distance equal to twice the height.

(6) **FIRE WINDOW ASSEMBLIES.** All glazing in fire window assemblies shall be designed and installed as specified in s. ILHR 51.048.

(7) **STRUCTURAL REQUIREMENT.** Glazing material shall be designed and installed to safely withstand the loads specified in ch. ILHR 53.

Note: Section 101.125, Stats., requires safety glazing in all hazardous locations.

History: Cr. Register, December, 1981, No. 312, eff. 1-1-82; am. (5) (a), Register, August, 1985, No. 356, eff. 1-1-86; am. (1), cr. (5) (c), Register, March, 1991, No. 423, eff. 4-1-91; am. (2) (b) and (c), (5) (a), Register, January, 1994, No. 457, eff. 2-1-94.

ILHR 51.15 Standard exit doors. (1) Every door which serves as a required exit door or exit access door from an area, room, public passageway, stairway or building shall be a standard exit door, unless exempted by the occupancy requirements of this code.

Note: See ss. ILHR 54.06, 55.10, 56.08, 57.06, 58.04, 58.49, 59.14, 60.12, 61.12, 62.26, 62.47 and 62.75 for requirements regarding required exits.

(2) Every standard exit door shall swing outward or toward the natural means of egress. It shall be level with the floor, and shall be so hung that, when open, it will not block any part of the required width of any other doorway, passageway, stairway or fire escape. No revolving door, overhead door or sliding door may be considered as a standard exit, except as permitted in the occupancy chapters of this code.

(3) (a) A standard exit door shall have such fastenings or hardware that it can be opened from the inside by pushing against a single bar or plate or turning a single knob or handle. The latch or other approved fastening device on the door shall be of an obvious method in its release. Except as provided in pars. (b) to (d), the installation of hardware requiring use of a key for opening an exit door from the inside is prohibited. The requirements of this subsection, except par. (g) shall apply to all buildings in existence and to any building built after the effective date of this subsection.

(b) Exit and exit access doors serving individual living units may be provided with hardware requiring the use of a key for opening from the inside.

(c) Upon written request to the department by the owner, key-locking or securing of exits may be approved in fire-resistive buildings, or parts of fire-resistive buildings, which are used as jails, prisons, mental institutions, asylums, nursing homes with senile patients, and similar type occupancies which were constructed prior to January 1, 1982.

Note 1: This code paragraph applies only to buildings constructed prior to 1982. Refer to ch. ILHR 58 for buildings constructed after 1981.

Note 2: The owner's request should include the following considerations: accessibility of keys to the fire department and staff personnel for the locked areas; electrical devices which release the locks; and 24-hour supervision of the locked areas by personnel who carry keys for the locked areas while on duty. Electrical devices which release the locks upon power failure or upon activation of the fire alarm or sprinkler system or the product of combustion detectors should be considered for securing of exits in nursing homes.

Note 3: Written approval to lock exits must also be obtained from the department of health and social services in accordance with the rules of that department.

(d) 1. One door serving as an exit from any building housing any office or wholesale or retail store may be equipped with hardware which requires use of a key to open it from the inside provided one of the following conditions is satisfied:

a. The door has a window which has a minimum clear opening of not less than 24 inches, and 6 square feet in area

ILHR 51.15

with the bottom of the window opening not more than 4 feet above the inside floor level;

b. A glazed sidelight satisfying the dimensional and location requirements for the windows specified in par. (a) is located adjacent to the door; or

c. A window satisfying the dimensional and location requirements for the window specified in par. (a) is located within five feet of the door.

2. Approved safety glazing shall be used in all installations but the glazing may not be bullet-resistant or break-resistant.

3. The door may not be used as an exit serving any required exit stairway enclosure.

4. The door shall not be key-locked during periods of occupancy by the public or employees. A readily visible, permanent sign shall be placed on or adjacent to the door on the egress side stating, "THIS DOOR SHALL NOT BE KEY-LOCKED WHEN THE BUILDING IS OCCUPIED". The sign shall be in letters at least one inch in height on a contrasting background.

5. The use of keyed hardware as specified in this section may be revoked by the department or its authorized deputy upon one violation of any of the conditions specified in subs. 1. to 4.

(e) 1. Except as provided in subd 2., the door shall not be barred, bolted or chained at any time.

2. When authorized persons, such as employees, frequenters, patrons and other such occupants are not present, the exit door may be secured by the use of a single bar or bolt. A sign or label shall be posted on the door near the single bar or bolt. The sign or label shall bear the following: "This bolt or bar shall be kept open during periods of occupancy."

Note: The intent of subd. 2. is to prohibit padlocks or use of a key to open a door or lock at any time. The bar and bolt exception is to give security against intruders from the outside while protecting persons in the building from being trapped.

(f) 1. Except as provided in subd. 2, in a building protected throughout by either a supervised automatic fire sprinkler system or a supervised automatic fire detection system, the exit doors may be equipped with listed, locking devices which shall:

a. Release or unlock upon activation of the sprinkler system or fire detection system;

b. Release or unlock upon the loss of power to the locking device;

c. Release or unlock within 15 seconds whenever a force of not more than 15 pounds of force is continuously applied to the release device for a period of not more than 3 seconds;

d. Upon the release or unlocking of the door activate an audible alarm in the vicinity of the door;

e. Require the manual relocking of such doors; and

f. Have a sign adjacent to the locking device indicating how the door may be opened.

2. The use of locking devices as described in subd. 1 shall be limited to the following restrictions.

a. The locking device may not be employed on any door of an occupancy designated or licensed as a community based residential facility.

b. The locking devices may not be employed on any doors serving as the main entrance/exit of an assembly hall occupancy regulated under ch. ILHR 55.

c. Not more than one locking device may be employed in any egress path within a health care facility regulated under ch. ILHR 58, subch. I.

(g) 1. Except as provided in subd. 2., the latch or other approved fastening device shall be located on the exit door so that the device is not less than 32 inches or more than 54 inches above the floor level.

2. The latch or approved fastening device on solid tempered glass doors may be located on the door at the floor line.

(h) Any door in a required means of egress serving an area or areas having an occupant load of 100 or more persons shall be provided with panic hardware. Acceptable panic hardware shall be a door latching assembly which complies with subs.1. to 3.

1. The assembly shall cause the door latch to release and the door leaf to open, when a force of 15 pounds and greater is applied in the direction of egress, to a bar or panel.

2. The activating portion of the bar or panel in par. (a) shall extend not less than one-half the width of the door leaf, and shall be mounted at a height of at least 30 inches but no more than 44 inches above the floor.

3. The force specified in par. (a) shall be applied at the latch side of the door.

(4) A standard exit door shall not be less than 6 feet 4 inches high by 3 feet 0 inches wide, except where especially provided under occupancy classifications and in s. ILHR 51.20. Where double doors are provided with or without mullions, the width of each single door may be reduced to 2 feet 6 inches, except double doors utilized to provide accessibility in accordance with s. ILHR 52.04 shall have the width of at least one single door increased to 2 feet 8 inches.

(5) (a) All exit doors, unless otherwise exempted by the occupancy requirements of this code, shall be identified by illuminated translucent exit signs.

1. An exit sign shall bear the words "EXIT" or "OUT".

2. The wording for the exit sign shall be of letters not less than 6 inches high with principal strokes of letters not less than 3/4 inches wide.

3. The wording for the exit sign shall be of red or green lettering on a contrasting background.

4. A self-luminous type of exit sign which provides evenly illuminated letters shall have a minimum luminance of 0.06 foot lamberts; other types of exit signs shall be illuminated by a source providing not less than 5 foot candles at the illuminated surface.

(b) When exit doors are not readily visible to occupants, directional exit signs shall be provided in exit access corridors and other appropriate locations so to indicate the direction and way of egress.

(6) (a) The required aggregate width of exits from a level shall be determined by using the full occupant load of that level, plus the percentage effects of the occupant loads of adjacent levels (above and below) which exit through it as follows:

Note: See Appendix A for further explanatory material.

1. 50% of the occupant load of each first-adjacent level; and

2. 25% of the occupant load of each second-adjacent level.

(b) The width shall be based upon the following ratios:

1. Types No. 1 through No. 4 construction unsprinklered, 40 inches per 100 persons;

2. Types No. 5 through No. 8 construction unsprinklered, 50 inches per 100 persons;

3. Types No. 1 through No. 4 construction sprinklered, 30 inches per 100 persons; or

4. Types No. 5 through No. 8 construction sprinklered, 40 inches per 100 persons.

Note: The determination of exit width for health care facilities is specified in s. ILHR 58.12 (2) and (3) and takes precedence over this section.

(c) The required aggregate width of exits from assembly seating facilities shall comply with the requirements of s. ILHR 62.75 (4).

History: 1-2-56; am. Register, December, 1962, No. 84, eff. 1-1-63; am. (5) and cr. (7), Register, November, 1963, No. 95, eff. 12-1-63; r. and recr., Register, October, 1967, No. 142, eff. 11-1-67; am. (7) (j), Register, May, 1968, No. 149, eff. 6-1-68; r. and recr. (7), Register, December, 1970, No. 180, eff. 1-1-71; r. and recr. (3), Register, February, 1971, No. 182, eff. 3-1-71; am. (7) (a) 1., Register, September, 1973, No. 213, eff. 10-1-73; r. (7), r. and recr. (6), Register, December, 1974, No. 228, eff. 1-1-75; emerg. cr. (3) (b) 1., eff. 6-20-75; cr. (3) (a) 1. and (3) (b) 1., Register, November, 1975, No. 239, eff. 12-1-75; am. (4), Register, December, 1977, No. 264, eff. 1-1-78; am. (2) and (3) (b) 1., Register, December, 1978, No. 276, eff. 1-1-79; am. (4), Register, January, 1980, No. 289, eff. 2-1-80; am. (2), r. and recr. (3) (a), (intro.), cr. (6) (c), Register, December, 1981, No. 312, eff. 1-1-82; cr. (3) (c), Register, December, 1983, No. 336, eff. 1-1-84; r. and recr. (3), Register, January, 1985, No. 349, eff. 2-1-85; am. (3) (a) and (4), cr. (3) (e) and (f), Register, August, 1985, No. 356, eff. 1-1-86; am. (2), (3) (a), renum. (3) (f) to be (3) (g), cr. (3) (f), r. and recr. (5), Register, February, 1991, No. 423, eff. 4-1-91; am. (1), (2) and (3) (c), cr. (3) (h), Register, January, 1994, No. 457, eff. 2-1-94.

ILHR 51.151 Exit distribution. All spaces which can accommodate more than 25 persons shall be provided with a minimum of 2 exits, 2 exit access doors or a combination of both which are located to provide the best possible egress from the room or suite. If exit access doors are used, the exit access corridors shall lead to 2 or more separate exits.

Note 1: See Appendix A for further explanatory material.

Note 2: See occupancy chs. ILHR 54 to 62 for acceptable types of exits and exit accesses and exceptions.

History: Cr. Register, August, 1985, No. 356, eff. 1-1-86.

ILHR 51.152 Egress configuration. (1) **EGRESS DIRECTIONS.** (a) Where 2 directions of egress are required, and are provided by doors opening into corridors, the angle between the 2 directions shall not be less than 90°.

(b) An angle between directions of egress within a space shall be satisfactory providing passageways are maintained to corridor access points separated a distance of at least one-half of the diagonal of the area served, or 20 feet, whichever is greater.

(2) **RECESSED DOORS.** Where 2 directions of egress are required, and are provided by recessed doors opening into the corridors, the doors shall be recessed no more than 3 feet into an alcove serving only that exit access, and the alcove width shall be at least 3 feet.

Note: See Appendix A for further explanatory material.

History: Cr. Register, December, 1993, No. 456, eff. 1-1-94.

ILHR 51.16 Stairways and ramps. (1) **DEFINITIONS.** (a) "Stairway" means one or more flights of steps, and the necessary platforms or landings connecting them, to form a continuous passage from one elevation to another, including exterior porches, platforms and steps.

(b) "Ramp" means a sloping floor or walk and necessary platforms or landings connecting them to form a continuous passage from one elevation to another.

(2) **REQUIRED AGGREGATE WIDTH.** (a) The required aggregate width of stairway or ramp exits from any level shall be as specified in s. ILHR 51.15 (6).

(b) In no case shall the minimum width of an exit stair or ramp be less than that specified in sub. (3).

(c) Under no circumstances shall stairways or ramps decrease in width in the line of travel toward the exit.

(3) **MINIMUM WIDTH.** (a) Except as provided in pars. (b) and (c), every required exit stairway or ramp under chs. ILHR 54 to 62 shall be not less than 3 feet 8 inches wide, except as provided in the occupancy chapters, of which not more than 4 inches on each side may be occupied by a handrail. The clear dimension between handrails, or stringers, shall not be less than 3 feet 0 inches.

(b) Nonrequired stairways or ramps need not conform to the width requirements specified in chs. ILHR 50 to 64.

(c) A required stairway or ramp serving a space with an occupant load not greater than 25 persons shall have a width of not less than 3 feet.

(4) **RISERS, TREADS AND RAMP SLOPES.** Risers and treads shall be designed and provided in accordance with the following:

(a) 1. Except as provided in subd 2., all stairways and steps shall have a rise of not more than 7 inches measured from tread to tread, and a tread of not less than 11 inches, measured from nosing to nosing of tread. The slope of a tread may not exceed ¼ inch per foot for the depth of the tread. Treads and risers shall be uniform in any one flight. Winders may not be used. Open risers may not be used;

2. Existing stairways and steps in existing buildings, where a change in occupancy is occurring, may remain in use if they were constructed in accord with the requirements of this code relating to the proposed occupancy, that were in effect at the time of that construction.

Note 1: The department recommends that steps be proportioned so the sum of 2 risers and a tread, exclusive of its nosing or projection, should be not less than 24 inches or more than 25 inches.

Register, November, 1994, No. 467

Note 2: The department may accept nonstandard exit stairways serving unoccupied areas, such as equipment mezzanines or platforms, and similar areas, if approved in writing.

Note 3: Round or smooth nosings are recommended as they are not difficult to negotiate for individuals with restrictions in the knee, ankle or hip, or with artificial legs or long leg braces.

(b) The edges of all treads and the edges of all stairway landings shall be finished with a nonslippery surface not less than 3 inches in width;

(c) Where an exit door leads to an outside platform or sidewalk, the level of the platform or sidewalk shall not be more than 7½ inches below the doorsill;

(d) Every stairway flight shall have at least 3 risers, except as provided in par. (c) and ss. ILHR 54.03 (1) (b), 55.09 (3) (b) and 57.07 (1); and

(e) There shall be no more than 22 risers in any one flight.

(f) Slopes of ramps located in required means of egress shall comply with ch. ILHR 69. Slopes of ramps not located in required means of egress shall not exceed 1 foot of rise in 6 feet of run.

(g) Ramps and landings shall be finished with a slip-resistant surface.

(5) **STAIRWAY AND RAMP LANDINGS AND PLATFORMS.** (a) 1. Except as provided in subd. 2., if a door is provided at the head or foot or both of a stairway or ramp, a landing or platform shall be placed between the door and the stairway or ramp regardless of the direction of swing of the door.

2. Platforms may be omitted for ramps 6 foot or less in length.

(b) Every landing or platform shall be at least as wide as the stairway or ramp, measured at right angles to the direction of travel. Every landing or platform must have a length of at least 3 feet, measured in the direction of travel.

(6) **CURVED STAIRS.** Interior or exterior curved stairs used as required exits shall meet all the requirements for stairways. Curved stairs shall have a radius of at least 25 feet at the interior edge of the tread.

(7) **SPIRAL STAIRS.** Spiral stairways may be permitted as specifically allowed by the occupancy chapters of this code. Such spiral stairs shall provide a clear walking area measuring at least 22 inches from the outer edge of the supporting column to the inner edge of the handrail and shall have treads at least 7 inches in width at a point one foot from the narrow end of the tread, and a uniform riser height of not more than 9½ inches.

(8) **SPACES BENEATH STAIRS AND RAMPS.** Spaces beneath the steps, stairs, ramps, landings and platforms which are within a vertical enclosure under s. ILHR 51.02 (11) may not be used for any other purpose, unless that space is separated from the enclosure by the same degree of fire resistive construction required for the enclosure.

(b) Spaces beneath steps, stairs, ramps, landings and platforms which provide a means of egress, but not en-

closed under s. ILHR 51.02 (11), may not be used for any other purpose, unless;

1. The space is separated from steps, ramps, landings and platforms by at least one hour fire resistive construction; or

2. The space and the steps, ramps, landings and platforms are all contained within an individual living unit under the scope of ch. ILHR 57.

History: 1-2-56; am. (2); (2) (a); (2) (b); Register, June, 1956, No. 6, eff. 7-1-56; r. and recr. Register, September, 1959, No. 45, eff. 10-1-59; r. (4) (b), renum. (c) to be (b), and cr. (5), Register, February, 1971, No. 182, eff. 3-1-71; am. (2) (a), Register, September, 1973, No. 213, eff. 10-1-73; r. and recr. Register, December, 1974, No. 228, eff. 1-1-75; am. (4) (a) and cr. (10), Register, December, 1977, No. 264, eff. 1-1-78; cr. (7) (a), Register, December, 1978, No. 276, eff. 1-1-79; r. (5) to (7), renum. (8) to (10) to be (5) to (7) and am. (7), Register, January, 1980, No. 289, eff. 2-1-80; r. and recr. (1), am. (2), (3) (a) and (5), renum. (3) (b) to be (3) (b) 1. and am., cr. (3) (b) 2., (4) (f) and (g), Register, August, 1985, No. 356, eff. 1-1-86; renum. (3) (b) 1. to be (3) (b), r. (3) (b) 2., am. (4) (a) (intro.), (d) and (7), cr. (8), Register, February, 1991, No. 423, eff. 4-1-91; am. (3) (a), cr. (3) (c) and (4) (a) 2., renum. (4) (a) to be (4) (a) 1. and am., r. (5) (c), Register, January, 1994, No. 457, eff. 2-1-94; r. and recr. (4) (f), Register, November, 1994, No. 467, eff. 12-1-94.

ILHR 51.161 Handrails. (1) **WHERE REQUIRED.** Handrails shall be provided in all of the following conditions unless otherwise specified in the occupancy chapters of this code.

(a) On either side for all interior stairways of more than 3 risers and for all ramps overcoming a change in elevation of more than 24 inches.

(b) On the open side of any stairway with more than 3 risers and on the open side of any ramp overcoming a change in elevation of more than 24 inches.

(c) On both sides of interior stairways or ramps 5 feet or more in width.

(d) To divide interior stairways or ramps more than 8 feet wide into widths at least 3 feet 8 inches but less than 8 feet.

(e) On both sides of exterior stairways with more than 3 risers and on both sides of exterior ramps overcoming a change of elevation of more than 24 inches, either of which are an integral part of the building.

(f) To divide exterior stairways or ramps, either of which are an integral part of the building and more than 25 feet wide into approximately equal widths not less than 3 feet 8 inches but not greater than 25 feet.

(g) The requirements specified in pars. (a) to (f) do not apply to ramps having a slope less than 1:20.

Note: See s. ILHR 52.04 (7) (c) for handrail requirements for ramps used to provide barrier free access.

(h) On fire escapes as specified in s. ILHR 51.20 (8).

(2) **LOADING.** All handrails shall be designed and constructed to withstand a load of 200 pounds applied in any direction at any point.

(3) **HEIGHT.** The top of the handrail gripping surface shall be mounted between 34 inches and 38 inches above the nosing of the treads on stairways or above the surface of ramps.

Note: See s. ILHR 51.20 (8) for handrail requirements for fire escapes.

(4) **CONTINUITY AND EXTENSIONS.** (a) Except as provided in par. (b), handrails shall be continuous for the full length of the stairway or ramp and one handrail shall extend at least 12 inches beyond the top and bottom riser or ramp end and shall not constitute a projecting hazard.

(b) 1. Handrails not required for barrier-free design construction on assembly seating facilities need not comply with the 12 inch extension requirement.

2. Handrails on stairs located within individual living units need not comply with the requirements of par. (a).

(5) **CLEARANCE.** Handrails shall provide a clearance of at least 1½ inches between the handrail and the wall to which it is fastened.

(6) **OPENINGS BELOW TOP RAIL.** (a) Handrails protecting the open sides of stairways and ramps shall have intermediate rails or an ornamental pattern designed to prevent the passage of an object with a diameter larger than 6 inches, except in adult detention or correctional facilities, factory or warehouse occupancies the clear distance between intermediate rails measured at right angles to the rails may not exceed 21 inches.

(b) Handrails protecting the open sides of stairways and ramps not subject to use by children (i.e., waste water treatment plants, foundries, tanneries and other industrial occupancies) shall be provided with an intermediate rail at mid height or equivalent.

(7) **HANDGRIP DIMENSIONS.** The handgrip portion of a handrail serving a stairway or ramp may not be less than 1¼ inches nor more than 2 inches in any horizontal cross sectional dimension or any other shape with a perimeter dimension of at least 4 inches but not greater than 6¼ inches and with the largest cross-sectional dimension not exceeding 2¼ inches.

History: Cr. Register, January, 1980, No. 289, eff. 2-1-80; am. (4), Register, December, 1981, No. 312, eff. 1-1-82; am. (1) (a) to (g), renum. (4) (b) to be (4) (b) 1., cr. (4) (b) 2., Register, August, 1985, No. 356, eff. 1-1-86; am. (1) (a), r. and recr. (6) (a), cr. (7), Register, February, 1991, No. 423, 4-1-91; am. (3), Register, January, 1994, No. 457, eff. 2-1-94.

ILHR 51.162 Guardrails. (1) **WHERE REQUIRED.** Guardrails shall be provided in all of the following conditions unless otherwise specified in the occupancy chapters of this code:

(a) On the open side of elevated platforms, landings, walks, balconies and mezzanines which are more than 24 inches in height;

(b) On assembly seating facilities as specified in s. ILHR 62.77;

(c) On open parking structures as specified in s. ILHR 62.28 and as indicated in sub. (5); and

(d) On openings through floors and roofs.

(2) **EXEMPT LOCATIONS.** Guardrails need not be provided:

(a) On the loading side of loading docks;

(b) On the auditorium side of a stage or enclosed platform; and

(c) Around floor pits, openings or depressions for manufacturing areas and processing areas where guardrails

would interfere with the operations or functions of the areas.

Note: Federal OSHA also prescribes requirements concerning the guarding of floor openings under 29 CFR 1910.

(3) **LOADING.** (a) Except as provided in par. (b), all guardrails shall be designed and constructed to withstand a load of at least 200 pounds applied in any direction at any point.

(b) All guardrails on assembly seating facilities shall be designed and constructed to withstand a vertical and horizontal load of 50 pounds per linear foot. Loads need not be applied simultaneously.

(4) **HEIGHT.** Guardrails shall not be less than 3 feet 6 inches in height.

(a) *Exception.* Guardrails within an individual living unit, or on an exterior appurtenance accessible only to the occupant of that unit, may be 36 inches in height.

(b) *Exception.* Guardrails on a balcony immediately in front of the first row of fixed seating and which are not at the end of an aisle may be 30 inches in height.

(5) **OPENINGS BELOW TOP RAIL.** (a) Guardrails protecting the open sides of elevated platforms, walks, balconies, and mezzanines shall have intermediate rails or an ornamental pattern designed to prevent the passage of an object with a diameter larger than 6 inches, except in adult detention or correctional facilities, factory or warehouse occupancies the clear distance between intermediate rails measured at right angles to the rails may not exceed 21 inches.

(b) Guardrails in areas not subject to use by children shall be provided with an intermediate rail at mid height or equivalent.

History: Cr. Register, January, 1980, No. 289, eff. 2-1-80; am. (1) (b), (3) and (4) (b), Register, December, 1981, No. 312, eff. 1-1-82; r. and recr. (2) and (5) (a), Register, February, 1991, No. 423, eff. 4-1-91; am. (4) (a), Register, January, 1994, No. 457, eff. 2-1-94.

ILHR 51.164 Headroom. (1) **GENERAL.** Except as provided in sub. (2), every means of egress shall be provided with a headroom clearance of not less than 6 feet 8 inches. In stairways, the clearance shall be 7 feet 0 inches established by measuring vertically from the edge of the tread nosing to the ceiling or soffit above the tread nosing.

(2) **EXCEPTION.** The headroom clearance for public stairways in apartments and townhouses may be reduced to not less than 6 feet 8 inches.

Note: See s. ILHR 57.07 (3) for requirements pertaining to stairways within individual living units.

History: Cr. Register, January, 1980, No. 289, eff. 2-1-80; am. Register, December, 1983, No. 336, eff. 1-1-84.

ILHR 51.165 Stairway Identification. All stairways serving 4 or more stories shall have each floor level or story identified on the stair side as to its name or number with a permanent sign having letters or characters at least 2 inches in height.

History: Cr. Register, December, 1981, No. 312, eff. 1-1-82.

ILHR 51.166 Stairway discharge. Where a stairway from the level below the exit discharge and a stairway from an upper floor terminate at the same exit discharge level, an

Register, January, 1994, No. 457

ILHR 51.166

approved barrier shall be provided to prevent persons from continuing down one or more full floor levels below the exit discharge level unless the exit discharge level has a vision panel to the outside or is otherwise made readily apparent.

History: Cr. Register, December, 1981, No. 312, eff. 1-1-82; am. Register, October, 1982, No. 322, eff. 11-1-82.

ILHR 51.167 Exiting through areas of hazard. (1) GENERAL. Except as provided in subs. (2) and (3), exit access shall be so arranged that it will not be necessary to travel through any area of hazard in order to reach the exit.

Note: See ss. ILHR 54.14, 55.29, 56.15, 57.14, 58.24, 58.62, 59.21, 60.25, 60.37, 62.32 for additional requirements.

(2) GARAGES. (a) Occupancies within the scope of ch. ILHR 54 may exit through storage garages.

(b) Occupancies within the scope of ch. ILHR 54 may not exit through repair garages.

(c) Occupancies within the scope of chs. ILHR 55-62 may not exit through a storage or repair garage.

(3) KITCHENS. (a) Exiting through a kitchen within an individual living unit is permitted.

(b) Exiting through kitchens equipped with residential-type appliances in areas such as but not limited to employe lounges, activity rooms and similar areas is permitted provided the kitchen is not used for commercial purposes.

(c) Exiting through kitchens of restaurants and similar commercial operations or kitchens equipped with commercial-type appliances is prohibited.

History: Cr. Register, December, 1981, No. 312, eff. 1-1-82; am. Register, October, 1982, No. 322, eff. 11-1-82.

ILHR 51.17 Smokeproof stair tower. (1) A smokeproof stair tower shall be an enclosed stairway which is entirely cut off from the building and which is reached by means of open balconies or platforms. The stairways, landings, platforms and balconies shall be of noncombustible material throughout. The enclosing walls shall be of not less than 4-hour fire-resistive construction, and the floors and ceilings of not less than 2-hour fire-resistive construction as specified in s. ILHR 51.04.

(2) The doors leading from the buildings to the balconies and from the balconies to the stairways shall be fire-resistive doors, and all openings within 10 feet of any building shall be protected with fire-resistive windows for moderate fire exposure, or fire-resistive doors as specified in s. ILHR 51.047.

(3) Each balcony shall be open on at least one side, with a railing not less than 3'6" high on all open sides.

History: 1-2-56; am. Register, December, 1962, No. 84, eff. 1-1-63; am. (1) and (2), Register, February, 1971, No. 182, eff. 7-1-71; r. and recr. (1) and (2) eff. 8-1-71 and exp. 1-1-72, and cr. (1) and (2) eff. 1-1-72, Register, July, 1971, No. 187; am. (2), Register, June, 1972, No. 198, eff. 7-1-72.

ILHR 51.18 Interior enclosed stairway. (1) GENERAL. An interior enclosed stairway shall be separated from other areas of the building by fire-resistive rated construction as specified in ss. ILHR 51.04 to 51.049 with the hourly ratings as specified in Table 51.03-A.

Register, January, 1994, No. 457

(2) EXTENT OF ENCLOSURE. (a) The enclosure shall include at each floor level a portion of the floor which will be at least as wide as the stairway.

(b) The enclosure shall provide uninterrupted passage from the uppermost floor to an outside door without leaving the enclosure.

(c) The enclosure shall also include any passageway, if provided, on the floor of exit discharge leading from the stairway to the exit discharge, so as to afford uninterrupted passage from the uppermost floor to the exit discharge, without leaving the enclosure.

(3) OPENINGS IN THE ENCLOSURE. Openings in the stairway enclosure shall be limited to exit doors serving public passageways or corridors or serving floors occupied by a single tenant.

Note: See ch. ILHR 18 for additional requirements pertaining to the location of elevator equipment room access doors.

(4) PROTECTION OF OPENINGS. (a) All openings for doors shall be protected by fire-rated door assemblies as specified in s. ILHR 51.047.

(b) If windows are provided in the enclosure, the window openings shall be protected by fixed fire-rated window assemblies as specified in s. ILHR 51.048, except in outside walls.

History: 1-2-56; am. (1) and (3), Register, February, 1971, No. 182, eff. 7-1-71; r. and recr. (1) and (3), eff. 8-1-71 and exp. 1-1-72, and cr. (1) and (3), eff. 1-1-72, Register, July, 1971, No. 187; r. and recr. (1), Register, June, 1972, No. 198, eff. 1-1-73; am. (3), Register, December, 1975, No. 240, eff. 1-1-76; am. (2), Register, January, 1980, No. 289, eff. 2-1-80; r. and recr., Register, December, 1981, No. 312, eff. 1-1-82.

ILHR 51.19 Horizontal exit. (1) GENERAL. A horizontal exit shall consist of one or more openings through an occupancy separation; a 2-hour fire-rated separation wall extending from the basement or lowest floor to the underside of the roof deck or of one or more bridges or balconies connecting 2 buildings or parts of buildings entirely separated by occupancy separations as described in s. ILHR 51.08.

(2) PROTECTION OF OPENINGS. Openings used in connection with horizontal exits shall be protected by fire-resistive doors as specified in s. ILHR 51.047.

(a) Doors serving as required exits shall be standard exit doors and shall swing in the direction of exit travel. Where a horizontal exit serves spaces on both sides of the wall, there shall be adjacent doorways equipped with doors which swing in opposite directions.

1. Exceptions. a. The swing of the exit door may comply with the exceptions permitted in the occupancy chapters of this code.

(b) Approved illuminated exit signs shall be provided to indicate the horizontal exit.

(c) Such doors shall be kept unlocked, unobstructed, provided with a self-closing device and normally be kept closed.

1. Exception. Doors protecting openings used in connection with horizontal exits may be left opened if equipped with an automatic closing device actuated by smoke density or products of combustion other than heat.

Note: The department will accept detectors installed in accordance with the Standard on Automatic Fire Detectors, NFPA No. 72-E. See Table 51.25-17.

(3) RAMP SLOPE. Where there is a difference of elevation between connected areas, the difference shall be overcome by a ramp with a slope of not more than one foot in 8.

(4) PROJECTION OF ADJACENT OPENINGS. All doors and windows within 10 feet of any balcony or bridge shall be fire-resistive doors or fire-resistive windows as specified in ss. ILHR 51.047 and 51.048.

History: 1-2-56; am. (2) and (4), Register, February, 1971, No. 182, eff. 7-1-71; r. and rec. (2) and (4) eff. 8-1-71 and exp. 1-1-72, and cr. (2) and (4) eff. 1-1-72, Register, July, 1971, No. 187; am. (4) Register, June, 1972, No. 198, eff. 7-1-72; am. (4), Register, December, 1975, No. 240, eff. 1-1-76; r. and rec. Register, December, 1978, No. 276, eff. 1-1-79; am. (1) and (3), r. (2) (a) 1. a., renum. (2) (a) 1. b. to (2) (a) 1. a., Register, January, 1980, No. 289, eff. 2-1-80.

ILHR 51.20 Fire escapes. (1) LOCATION. Every fire escape shall be so located as to lead directly to a street, alley, or open court connected with a street.

(a) Every fire escape shall be placed against a blank wall if possible. If such a location is not possible then every wall opening which is less than 6 feet distant horizontally from any tread or platform of the fire escape shall be protected by a fire-resistive window for moderate fire exposure or by a fire-resistive door as specified in ss. ILHR 51.047 and 51.048.

(2) EXITS TO FIRE ESCAPES. Every fire escape shall be accessible from a public passageway or shall be directly accessible from each occupied room. Exits to fire escapes shall be standard exit doors as specified in s. ILHR 51.15, except that doors to "A" fire escapes may be not less than 2 feet 6 inches wide.

(3) DESIGN AND FABRICATION. Each part of every fire escape (except counterweights for balanced stairways) shall be designed and constructed to carry a live load of 100 pounds per square foot of horizontal area over the entire fire escape. Each part of every fire escape shall be designed and constructed in accordance with the requirements of s. ILHR 53.50, except that the unit stresses therein specified shall be reduced by one-fourth. The minimum sections and sizes specified below shall be increased whenever necessary so that under full load the allowable unit stresses will not be exceeded.

(a) No other material than wrought iron, soft steel or medium steel shall be used for any part of a fire escape, except for weights, separators and ornaments. No bar material less than ¼ inch thick shall be used in the construction of any fire escape, except for separators, ornaments, structural shapes over 3 inches and rigidly built up treads and platforms of approved design. In the fabrication of a fire escape, all connections or joints shall be made by riveting, bolting or welding in an approved manner. All bolts or rivets, except for ornamental work, shall be not less than ¾ inch in diameter.

(4) PLATFORMS. Each platform on an "A" fire escape shall be at least 28 inches wide; each platform on a "B" fire escape shall be at least 3 feet 4 inches wide. Such widths shall be the clear distance between stringers, measuring at the narrowest point. Each platform shall extend at least 4 inches beyond the jambs of exit opening. The above minimum widths and lengths shall be increased, wherever nec-

essary, so that no exit door or window will, when open, block any part of the required width of the fire escape. Every platform shall consist of either,

(a) Flat bars on edge, not less than 1 x ¼ inch, but not less than 1¼ x ¼ inch where bolts and separators are used except that platforms and treads constructed of flat bars on edge may be made of material 3/16 inch in thickness provided the material is galvanized after fabrication. Bars shall not be spaced more than 1¼ inches, center to center.

(b) ½ inch or ¾ inch square bars with sharp edge up, not more than 1½ inches, center to center.

(c) ¾ inch round bars, not more than 1½ inches, center to center.

(d) Platform and treads may be solid if covered by a roof.

(e) The platform frame shall consist of not less than 2 x ¾ inch flat bars on edge or equivalent, provided the brackets are not more than 4 feet apart. If brackets are more than 4 feet apart, the frame shall be correspondingly stronger and stiffer. Every platform wider than 30 inches, if made of square or round bars, shall have a third frame bar through the center; if made of flat bars, the platform shall have separators and bolts through the center. Frame bars shall not project more than ¼ inch above platform bars, except around the outside of platform.

(f) There shall be a platform at each story above the first, and intermediate platforms if floors are more than 18 feet apart vertically.

(g) Platforms shall not be more than 8 inches below the door sill.

(5) BRACKETS. Brackets for a 28 inch or 30 inch platform, when spaced not more than 4 feet apart, shall be made of not less than ¾ inch square bars or 1½ x 1½ x ¼ inch angles; such bars or angles shall be larger if the platform is wider or if the brackets are farther apart. Each bracket shall be fastened at the top to the wall by a through bolt (at least ¾ inch diameter), nut, and washer (at least 4 inch diameter). The slope of the lower bracket bar shall be not less than 30° with the horizontal. The lower bar shall have a washer or shoulder to give sufficient bearing against the wall.

(a) The strength of the wall to which brackets are to be attached shall be carefully considered in determining the spacing, shape and inside connection of brackets, so that under full load the wall will not be unduly strained. Where it is necessary to install brackets adjacent to wall openings they shall be located at a suitable distance therefrom, or the wall shall be properly reinforced.

(6) STAIRWAYS. (a) Each stairway of an "A" fire escape shall be at least 24 inches wide between stringers; such stairway shall have a uniform rise of not more than 8 inches and a uniform run of not less than 8 inches.

(b) Each stairway of a "B" fire escape shall be at least 3 feet 4 inches wide between stringers; such stairway shall have a uniform rise of not more than 8 inches, and a uniform run of not less than 9 inches.

1. The rise is the vertical distance from the extreme edge of any step to the corresponding extreme edge of the next

ILHR 51.20

step. The run is the horizontal distance between the same points.

(c) Stairway stringers shall consist of either:

1. A 5 inch channel or larger.
2. Two angles 2 x 2 x ¼ inch or larger.
3. Two flat bars 2 x ¾ inch or larger.
4. One flat bar 6 x ¼ inch or larger.

5. If 2 angles or 2 flat bars are used, they shall be properly tied together by lattice bars, vertical as well as horizontal. If flat bars are used, every stairway of more than 10 risers shall have lateral bracing. The connection of stringers to platform, at top and bottom, shall be at least equal in strength to the stringers and shall safely carry the full live and dead loads. If stringers are carried by intermediate brackets, the stringers shall have a horizontal bearing on the brackets and shall be properly and securely connected thereto.

6. Treads shall consist of either flat or square bars, (not round), of the size and spacing specified for platforms. An "A" tread shall consist of at least 6 square bars, or 7 flat bars. A "B" tread shall consist of at least 7 square bars, or 8 flat bars. A "B" tread made of flat bars shall have separators and bolt through the center. A "B" tread made of square bars shall be trussed.

7. Treads and platforms may be solid if covered by a roof.

(7) **BALANCED STAIRWAY.** All "B" fire escapes, and all fire escapes on schools, theaters, assembly halls, hospitals, nursing homes, residential care institutions, group foster homes, and homes for the elderly either shall reach to the ground or shall have a balanced stairway reaching to the ground. "A" fire escapes which are not on schools, theaters, assembly halls, hospitals, nursing homes, residential care institutions, group foster homes and homes for the elderly may terminate in a platform at least 3 feet long, located not more than 10 feet above the ground and *does not serve* more than 8 persons.

(8) **RAILINGS.** A railing at least 42 inches in height, measuring vertically from the floor of the platform, shall be provided on all open sides of platforms. Railings at least 36 inches in height, measuring vertically from the nose of the treads, shall be provided on the open sides of all stairways and on both sides of balanced stairways. Either a railing or a handrail fastened to the wall shall be provided on each side of all "B" fire escape stairways. Railings on fire escapes subject to use by children shall have intermediate rails or an ornamental pattern designed to prevent the passage of an object with a diameter larger than 6 inches. Railings on fire escapes not subject to use by children shall be provided with 2 uniformly spaced intermediate rails.

(a) Every railing shall have posts, not more than 5 feet apart made of not less than 1½ x 1½ x ¼ inch angles or tees, or 1¼ inch pipe; top rail not less than 1¼ x 1¼ x ¼ inch angle or equivalent; center rail not less than 1¼ x 5/16 flat bar or equivalent. All connections shall be such as to make the railing stiff; 2 bolts (¾ inch or larger) shall be used at the foot of each post wherever possible, or at least one ½ Register, January, 1994, No. 457

inch bolt shall be used. Railing shall be continuous. No projections on the inside of the railing shall be permitted. Where a railing returns to the wall, it shall be fastened thereto with a through bolt (at least ½ inch diameter), nut, and washer; or (in reinforced concrete) with an approved insert; or the railing shall be made equally secure with a diagonal brace extending at least 3 feet horizontally and 3 feet vertically.

(b) All outside railings which are more than 60 feet above grade shall be at least 6 feet high, measuring vertically from floor of platform or from nose of step. Such railings shall be of special design approved by the department, having not less than 4 longitudinal rails, and vertical lattice bars not more than 8 inches apart, and proper stiffening braces or brackets.

(9) **LADDER TO ROOF.** Every fire escape which extends higher than the second floor shall be provided with a ladder leading from the upper platform to the roof, unless the fire escape stairway leads to the roof. The ladder shall have stringers not less than 1¼ inch pipe, or not less than 2 x ¾ inch flat bars, at least 16 inches apart in the clear. The rungs shall be not less than ½ inch square or ¾ inch round bars, 12 inches center to center. The stringers shall be securely tied together at intervals no greater than every fifth rung. The stringers of each ladder shall extend not less than 3½ feet above the roof coping and return to within 2 feet of the roof, with the top rung of the ladder level with the coping.

(10) **OTHER TYPES OF FIRE ESCAPES.** Sliding or chute fire escapes may be used, upon the approval of the department of industry, labor and human relations, in place of "A" or "B" fire escapes. Every sliding fire escape shall be provided with a ladder constructed as in sub. (9), extending from 5 feet above grade, to 4 feet above the roof coping.

History: 1-2-56; am. Register, December, 1962, No. 84, eff. 1-1-63; am. (1) (a), Register, February, 1971, No. 182, eff. 7-1-71; am. (7), Register, February, 1971, No. 182, eff. 3-1-71; r. and recr. 51.20 (1) (a) eff. 8-1-71 and exp. 1-1-72 and cr. (1) (a) eff. 1-1-72, Register, July, 1971, No. 187; am. (1) (a), Register, June, 1972, No. 198, eff. 7-1-72; am. (3) (intro. par.), Register, December, 1974, No. 228, eff. 1-1-75; am. (1) (a), Register, December, 1975, No. 240, eff. 1-1-76; am. (8) (intro.), Register, January, 1980, No. 289, eff. 2-1-80; am. (8) (b), Register, December, 1981, No. 312, eff. 1-1-82; am. (9), Register, February, 1991, No. 423, eff. 4-1-91; am. (8) (intro.), Register, January, 1994, No. 457, eff. 2-1-94.

ILHR 51.21 Standpipe and hose systems. (1) GENERAL REQUIREMENTS. All required standpipe and hose systems shall meet the requirements of this section.

Note: The department will accept installations conforming to the latest edition of NFPA No. 14 — Standard for Installation of Standpipe and Hose Systems.

(2) **CLASSES OF SERVICE.** (a) *Class I - Fire department standpipes.* For use by fire departments and those trained in handling heavy fire streams from a 2½-inch hose.

(b) *Class II - First-aid standpipes.* For use primarily by occupants of a building until the arrival of the fire department (1½-inch hose).

(c) *Class III - Combination fire department and first-aid standpipes.* For use by either fire departments and those trained in handling heavy hose streams or by the building occupants.

(d) *Dry standpipes.* For use by fire departments.

(3) CLASS I - FIRE DEPARTMENT STANDPIPES. (a) *Where required.* Fire department standpipes shall be provided for all buildings exceeding 60 feet in height.

1. Required standpipes shall be installed as construction progresses, to make them available for fire department use in the topmost floor constructed. Temporary standpipes may be provided in place of permanent standpipes during the period of construction when approved by the local fire department.

(b) *Number of standpipes.* Standpipes shall be sufficient in number so that any part of every floor area can be reached within 30 feet by a nozzle attached to 100 feet of hose connected to the standpipe in an unsprinklered building and 150 feet of hose in a sprinklered building.

(c) *Cross connections.* When 2 or more standpipes are required, they shall be cross connected and equipped with individual control valves. All control valves shall be of an approved indicating type valve. The valves shall be located so that the water supply to any standpipe riser can be shut off without interrupting the water supply to the remaining standpipes and be readily accessible to the fire department.

(d) *Location of outlets.* Hose outlets shall be located in stairway enclosures. Where stairways are not enclosed, outlets shall be at the inside of outside walls, within one foot of a smokeproof tower, interior stairway or fire escape. In buildings containing large interior areas, standpipes may be located at accessible interior locations.

(e) *Protection of standpipes.* Standpipes shall be protected against mechanical and fire damage. Dry standpipes shall be visible for inspection and not concealed.

Note: It is not the intent of this section to require standpipes to be protected with an hourly rated fire protection.

(f) *Size.* No required standpipe shall be less than 4 inches in diameter, and not less than 6 inches in diameter for standpipes in excess of 100 feet in height unless the building is completely sprinklered and the standpipe system is hydraulically designed in accordance with the requirements of sub. (6).

(g) *Hose valves and connections.* An approved 2½-inch hose-connection valve shall be located at each story, not less than 3 feet nor more than 6 feet above the floor level. Hose-connection valves shall be equipped with a tight-fitting cap on a chain and having lugs for a spanner wrench. When the building is completely sprinklered, and class II service is omitted, each standpipe outlet location shall be equipped with a 2½-inch hose valve, a 2½-inch by 1½-inch reducer, and a cap with an attached chain.

(h) *Hose threads.* All threads on hose connections shall be of national standard dimensions.

Note: Section 213.15, Stats., requires that all hose connections be fitted with the national standard hose threads adopted by the national fire protection association.

(i) *Fire department connection.* An approved fire department connection shall be installed on a 4-inch or larger pipe connection with each standpipe system. The connection shall be marked "Standpipe". If automatic fire sprinklers are also supplied by the hose connection, the sign shall read "Standpipe and Automatic Sprinkler". The elevation of the connection may be not less than 18 inches nor

more than 42 inches above the sidewalk or ground. If municipal water is available at the building site, the fire department connection shall be located as close as possible to and within 150 feet of any fire hydrant.

(j) *Automatic water supply.* An automatic water supply for a wet standpipe system shall be designed to provide not less than the following capacity from top outlets at not less than 65 psi flowing pressure for a period of 30 minutes; 500 gpm for a single standpipe; 750 gpm for 2 interconnected standpipes; 1,000 gpm for larger systems. Any of the following supplies will be acceptable:

1. Public waterworks system where pressure and discharge capacity are adequate;
2. Approved automatic fire pump (or pumps);
3. Pressure tank;
4. Gravity tank;
5. Approved manually controlled fire pump operated by remote control devices at each hose outlet; or
6. Reservoirs.

(k) *Dry standpipes.* If only one standpipe is required, a dry standpipe may be used. A dry standpipe shall be limited to a single riser and shall not exceed 150 feet in height.

(4) CLASS II - FIRST-AID STANDPIPES. (a) *Where required.* First-aid standpipes shall be provided as required by the occupancy chapters of this code.

(b) *Number and location.* Standpipes shall be sufficient in number so that any part of every floor area, including basements, can be reached within 30 feet by a nozzle attached to not more than 100 feet of hose connected to a standpipe.

1. Hose outlets shall be located in occupied areas and preferably in corridors or at interior columns.

(c) *Size.* No required standpipe shall be less than 2 inches in diameter for buildings 4 or less stories or 50 feet in height, and not less than 2½ inches in diameter for buildings exceeding 4 stories or 50 feet in height.

(d) *Hose valves and connections.* An approved 1½-inch hose valve shall be located not more than 5 feet above the floor level. Where the static pressure at any standpipe hose outlet exceeds 100 psi, an approved device shall be installed at the outlet to reduce the pressure with the required flow at the outlet to not more than 100 psi.

(e) *Hoses.* Not more than 100 feet of hose shall be attached to each outlet. Hoses shall be of an approved type, 1½-inches in diameter, with ½-inch solid stream or combination nozzle attached, and shall be located in approved cabinets, racks or reels. In locations where the use of a solid stream may contribute to the spread of fire by scattering the burning material or where the existence of flammable liquids make the use of spray stream desirable, combination nozzles which give a spray or a solid stream shall be provided instead of ½-inch nozzles.

(f) *Water supply.* An automatic water supply shall be provided. The water supply shall be designed for 100 gpm for 30 minutes with 65 psi flowing pressure at the top outlet. The water supply may be from a city connection, gravity tank, pressure tank or pump.

ILHR 51.21

Note 1: The department will permit the domestic water supply system to serve class II standpipes.

Note 2: The department will permit pumps, other than fire pumps, provided the water supply meets the requirements of sub. (4) (f).

(5) CLASS III — COMBINED FIRE DEPARTMENT AND FIRST-AID STANDPIPES. (a) *Where permitted.* The features of class I and II service may be combined in a single system if served by an acceptable automatic water supply conforming to the requirements of sub. (3) (j).

(b) *Requirements.* Class III standpipes shall conform to the requirements of class I service except that 1½-inch outlets with a hose and 2½-inch outlets shall be provided on each floor and shall be installed to the requirements of the respective classes of service.

(6) DRY STANDPIPES. (a) *Where required.* Dry standpipes shall be provided as required by chs. ILHR 54 to 62.

Note: See ss. ILHR 54.15, 55.33, 56.20, 57.15 and 62.30.

(b) *Number and location.* Required dry standpipes shall be provided in each stair enclosure.

(c) *Hose valves and connections.* 1. Required dry standpipes shall be provided with approved 2½ inch valve hose connections at each floor level with one connection in the stair tower and one immediately outside.

2. Required dry standpipes with a fire department siamese connection greater than 50 feet to a street shall be interconnected to a standpipe system with the connection 50 feet or less to a street.

(d) *Miscellaneous requirements.* Dry standpipes shall conform to the requirements specified in sub. (3) (e) to (i).

(7) COMBINED AUTOMATIC SPRINKLER AND STANDPIPE SYSTEM. (a) *Definition.* A combined system is a system where the vertical water piping serves both the automatic sprinkler system and the 2½-inch hose outlets of the standpipes used by the fire department. The combined system shall comply with the automatic sprinkler requirements of s. ILHR 51.23 and the standpipe and hose requirements of s. ILHR 51.21.

(b) *Water supply and riser size.* The minimum water supply and riser size for a combined system shall comply with the requirements of sub. (3) (f) and (j), except the minimum water supply for a combined system for a completely sprinklered, light hazard occupancy building shall be 500 gallons per minute. When the building is completely sprinklered, the risers may be sized by hydraulic calculations.

Note: NFPA 13 defines light hazard occupancies as occupancies where the quantity and/or combustibility of contents is low and fires with relatively low rates of heat release are expected, such as: churches; clubs; educational; hospitals; institutional; libraries, except large stack rooms; museums; nursing or convalescent homes; offices, including data processing; residential; restaurant seating areas; theaters and auditoriums, excluding stages and prosceniums; and unused attics.

(c) *Connections.* Each connection from a vertical riser of a combined system shall be provided with an individual control valve of the same size as the outlet.

(8) MAINTENANCE. Standpipe systems and equipment, whether required by this code or not, shall be maintained in an operable condition.

Register, January, 1994, No. 457.

(9) CROSS CONNECTION CONTROL. A standpipe system with a fire department connection and the standpipe system connecting to a domestic water supply system or to a municipal water main shall be protected against backflow conditions in accordance with s. ILHR 82.41. If a reduced pressure principle backflow preventer or a reduced pressure detector assembly backflow preventer is used as the type of cross connection control, plans for the device shall be submitted for review in accordance with s. ILHR 82.20 (1).

History: 1-2-56; r. and recr. Register, December, 1976, No. 252, eff. 1-1-77; am. (7), Register, December, 1978, No. 276, eff. 1-1-79; am. (3) (i), Register, June, 1983, No. 330, eff. 7-1-83; emerg. renum. (6) and (7) to be (7) and (8), cr. (2) (d) and (6), eff. 9-6-86; renum. (6) and (7) to be (7) and (8), cr. (2) (d) and (6), Register, November, 1986, No. 371, eff. 12-1-86; cr. (9), Register, January, 1994, No. 457, eff. 2-1-94.

ILHR 51.22 Fire extinguishers. (1) **GENERAL.** All required fire extinguishers shall comply with the provisions of NFPA No. 10.

(2) **INSTALLATION.** Fire extinguishers as specified in chs. ILHR 54-62 shall be installed as specified in NFPA No. 10.

(3) **MAINTENANCE.** All portable fire extinguishers, whether required by chs. ILHR 54-62 or not, shall be maintained in operable condition as specified in NFPA No. 10.

Note: See Appendix A for further explanatory material.

History: 1-1-56; am. Register, October, 1967, No. 142, eff. 11-1-67; r. and recr. Register, December, 1981, No. 312, eff. 1-1-82; am. Register, December, 1983, No. 336, eff. 1-1-84; am. Register, March, 1991, No. 423, eff. 4-1-91.

ILHR 51.23 Automatic sprinklers. (1) **GENERAL REQUIREMENTS.** (a) All automatic fire sprinkler systems shall be designed and installed in accordance with NFPA No. 13 except as permitted in chs. ILHR 54 to 62.

(b) 1. A sprinkler system shall be so designed, installed and maintained as to provide complete coverage for all portions of the building, except:

2. Sprinkler heads may be omitted within a room dedicated exclusively to electrical equipment provided:

a. The room is separated from other portions of the building by at least one-hour fire-resistive construction;

b. The room is equipped with a smoke detector the activation of which is either audible throughout all the occupied areas of the building or interconnected to a manual fire alarm system; and

c. The storage of combustible materials within the room is prohibited.

Note: See ch. ILHR 18 for requirements pertaining to automatic fire sprinkler system protection for elevators.

(c) Reinstallation of used sprinkler heads shall be prohibited.

(d) Approved secondhand devices other than sprinkler heads may be installed by special permission of the department.

Note: The department will accept equipment, materials and devices listed or labeled by Underwriters' Laboratories or approved by Factory Mutual. Other testing laboratories or inspection agencies will be recognized as an approved agency if accepted in writing by the department.

(2) WATER SUPPLY. (a) Approved automatic water supplies for the sprinkler system recognized by the department are listed below:

1. City water main;
2. Gravity or pressure tank;
3. Ground storage reservoir; or
4. Natural bodies of water approved by the department (lakes, rivers, streams, etc.).

(b) If the water supply has inadequate pressure, an approved fire pump or tank shall be provided. The design and installation of water supply facilities for gravity tanks, fire pumps, reservoirs or pressure tanks, and underground piping shall conform to NFPA No. 22, NFPA No. 20, and NFPA No. 24.

(c) The connection of an automatic fire sprinkler system to a municipal water main shall be protected against backflow conditions in accordance with s. ILHR 82.41.

1. If a reduced pressure principle backflow preventer or a reduced pressure detector assembly backflow preventer is used as the type of cross connection control, plans for the device shall be submitted for review in accordance with s. ILHR 82.20 (1).

2. Cross connection control devices shall be tested in accordance with s. ILHR 82.21 (3).

(3) BASEMENT SPRINKLERS. Every basement sprinkler system shall also include sprinklers in all shafts (except elevator shafts) leading to the story above.

(4) FIRE DEPARTMENT CONNECTION. Except as provided in s. ILHR 57.016 (1) (a), every automatic fire sprinkler system installed in accordance with NFPA 13 shall have an approved fire department connection as specified in NFPA 13. The connection shall be marked "Sprinkler". If standpipes are also supplied by the hose connection, the sign shall read "Standpipe and Automatic Sprinkler". The elevation of the connection shall be not less than 18 inches nor more than 42 inches above the sidewalk or ground. If municipal water is available at the building site, the fire department connection shall be located within 150 feet of a municipal fire hydrant, unless the fire department provides a written statement accepting a specified greater distance.

(5) SPRINKLER ALARMS. Every sprinkler system shall be provided with a suitable audible alarm. In all buildings over 60 feet in height, each sprinkler system on each floor shall be equipped with a separate water flow device connected to an alarm system.

(6) MAINTENANCE. (a) All installed automatic sprinkler systems, whether required by this code or not, shall be properly maintained for efficient service pursuant to NFPA 25. Owners or operators shall be responsible for the condition of their sprinkler system and shall use due diligence in keeping the system in good operating condition. Records of inspections, tests and maintenance, as specified in NFPA 25 shall be kept and shall be made available, upon request, to the department or its authorized deputies. The local fire department shall be notified whenever the automatic fire sprinkler system is shut down or impaired and when it is placed back in service. The owner

shall arrange for immediate and continual servicing or repair of the automatic fire sprinkler system until it is placed back in operation.

(b) The requirements of par. (a) shall apply to all buildings in existence on the effective date of this section and to those buildings constructed thereafter.

Note: See ss. ILHR 81.10 (6) and 81.11 (9) and s. 145.165, Stats., for additional requirements pertaining to maintenance and repair of automatic fire sprinkler systems.

(7) PARTIAL AUTOMATIC FIRE SPRINKLER SYSTEMS. Partial automatic fire sprinkler systems may be connected without a fire department connection to the domestic water supply system or a first-aid standpipe or a fire department standpipe provided all of the following conditions are satisfied:

(a) The number of sprinkler heads per building does not exceed 20;

(b) The connection is equipped with an approved indicating valve with a monitor or an approved locking device and a check valve;

(c) The water pressure and volume is adequate to supply the required flow of the largest number of sprinkler heads in any one of the enclosed areas;

(d) An audible alarm is provided to sound when the system is in operation; and

Note: See ch. ILHR 82 for requirements pertaining to cross connections.

(e) A pressure gauge and test valve are provided to facilitate the testing and maintenance of the system in accordance with sub. (6).

(8) SUBSTITUTE AUTOMATIC FIRE SUPPRESSION SYSTEMS. When approved by the department, substitute automatic fire suppression systems may be used in lieu of an automatic fire sprinkler system in areas where the use of water could cause unusual damage to equipment, or where water may have a limited effect or may be hazardous to use because of the nature of processes involved.

(9) SYSTEM SUPERVISION AND MONITORING. The height limitations and fire resistive ratings in s. ILHR 51.02 (21) and (22) and the unlimited area buildings specified in chs. ILHR 54 to 62 shall be permitted only where the automatic fire sprinkler system is equipped with supervised sprinkler system valves or other approved component indicators, such as but not limited to fire pump power indicator or low water level indicator. The supervision function of the automatic fire sprinkler system shall be monitored by a central station, remote, auxiliary or proprietary fire alarm system company.

(10) CROSS CONNECTION CONTROL. The connection of an automatic fire sprinkler system or a partial automatic fire sprinkler system to the domestic water supply system for a building shall be protected against backflow conditions in accordance with s. ILHR 82.41.

1. If a reduced pressure principle backflow preventer or a reduced pressure detector assembly backflow preventer is used as the type of cross connection control, plans for the device shall be submitted for review in accordance with s. ILHR 82.20 (1).

ILHR 51.23

2. Cross connection control devices shall be tested in accordance with s. ILHR 82.21 (3).

History: 1-2-56; r. and recr. Register, December, 1974, No. 228, eff. 1-1-75; cr. (7) (a), Register, December, 1976, No. 252, eff. 1-1-77; am. (6), Register, December, 1981, No. 312, eff. 1-1-82; r. and recr. (1), (4), (6) and (7), cr. (8), Register, June, 1983, No. 330, eff. 7-1-83; am. (6), Register, December, 1983, No. 336, eff. 1-1-84; emerg. am. (1) (a), (4) and (6) (a), cr. (9), eff. 9-6-86; am. (1) (a), (4) and (6) (a), cr. (9), Register, November, 1986, No. 371, eff. 12-1-86; am. (1) (a), (2) (b), (4), (6), (7) (c) and (d), r. and recr. (1) (b), cr. (7) (e), Register, March, 1991, No. 423, eff. 4-1-91; am. (4), (6) (a) and (7) (intro.), cr. (2) (c) and (10), Register, January, 1994, No. 457, eff. 2-1-94.

ILHR 51.24 Fire alarm systems. Interior fire alarm systems required under ss. ILHR 54.17, 56.19 and 57.17 shall be designed and constructed in conformity with the following requirements:

(1) All such alarm systems shall consist of operating stations on each floor of the building, including the basement, with bells, horns, or other approved sounding devices which are effective throughout the building. The system shall be so arranged that the operation of any one station will actuate all alarm devices connected to the system except in the case of a presignal system. Fire alarms shall be readily distinguishable from any other signalling devices used in the building. A system designed for fire alarm and paging service may be used if the design is such that fire alarm signals will have precedence over all others;

(a) In all buildings where a fire alarm system and a complete automatic sprinkler system are required, a water flow detecting device shall be provided to actuate the fire alarm system.

(2) Every fire alarm system shall be electrically operated or activated by non-combustible, nontoxic gas. Electrically operated systems shall be operated on closed circuit current under constant electrical supervision, so arranged that upon a circuit opening and remaining open or in case of a ground or short circuit in the ungrounded conductor, audible trouble signals will be given instantly. Gas-activated systems shall be mechanically supervised and under constant gas pressure, so arranged that in case of a pressure drop an audible trouble signal will be given instantly. Means shall be provided for testing purposes;

(3) (a) Except as provided in par. (b), coded fire alarm systems shall be provided in buildings more than 3 stories in height and the systems shall be so arranged that the code transmitted shall indicate the location and story of the structure in which the signal originated.

(b) 1. The department shall approve non-coded continuous sounding fire alarm systems under constant automatic supervision in apartment buildings.

2. The department shall approve non-coded continuous or march time sounding fire alarm systems with electrically supervised annunciator panels that indicate the location and the story of the structure in which the signal originated.

3. The department shall approve fire alarm and communication systems for high rise construction as specified in s. ILHR 52.01 (2) (e).

(4) Operating stations shall be prominently located in an accessible position at all required exit doors and required exit stairways. Operating stations shall be of an approved

Register, January, 1994, No. 457

type and shall be conspicuously identified. All such operating stations shall be of a type, which after being operated, will indicate that an alarm has been sent therefrom until reset by an authorized means. (Operating stations having a "Break Glass" panel will be acceptable. On coded systems having a device to permanently record the transmission of an alarm, "Open Door" type stations may be used). The fire alarm operating stations shall be mounted not less than 3 feet nor more than 4 feet above the finished floor as measured from the floor to the center of the box;

(5) All alarm systems shall be tested at least once a month and a record of the tests shall be kept;

(6) Existing fire alarm systems that are effective in operation will be accepted if approved by the department;

(7) The gas for operation of non-combustible, non-toxic gas activated fire alarm systems shall be supplied from approved pressure cylinders on the premises. The cylinders shall have sufficient capacity and pressure to properly operate all sounding devices connected to the system for a period of not less than 10 minutes. Cylinders shall be removed for recharging immediately after use and shall be replaced by fully charged cylinders;

(8) Spare cylinders shall be kept on the premises at all times for immediate replacement and separate cylinders for testing shall be incorporated in the system;

(9) Tubing in connection with non-combustible, non-toxic gas activated fire alarm systems shall be installed in rigid metal conduit, flexible metal conduit, or surface metal raceways where subject to mechanical injury. Non-corrosive metallic tubing not less than 3/16" in diameter which will withstand a bursting pressure of not less than 500 pounds per square inch shall be used. The maximum length of 3/16" tubing shall not exceed 300 feet between charged cylinders. All tubing and other component parts shall be installed by skilled workers in accordance with the provisions of this code; and

Note: See Wisconsin State Electrical Code, Volume 2, ch. ILHR 16.

(10) MAINTENANCE. All fire alarm systems, whether required by this code or not, shall be maintained in an operable condition.

History: 1-2-56; am. (4) (a), Register, November, 1963, No. 95, eff. 12-1-63; am. Register, August, 1964, No. 104, eff. 9-1-64; r. (10), (11) and (12), Register, December, 1975, No. 240, eff. 1-1-76; cr. (1) (a) and am. intro. and (2), Register, December, 1976, No. 252, eff. 1-1-77; am. (intro.) and (4), r. (3) (a), Register, January, 1980, No. 289, eff. 2-1-80; am. (3) and (6), cr. (10), Register, December, 1981, No. 312, eff. 1-1-82; am. (5), Register, August, 1985, No. 356, eff. 1-1-86; emerg. r. and recr. (3), eff. 9-6-86; r. and recr. (3), Register, November, 1986, No. 371, eff. 12-1-86; am. (2), Register, March, 1991, No. 423, eff. 4-1-91.

ILHR 51.245 Smoke detectors. (1) GENERAL REQUIREMENTS. All required smoke detectors shall be approved by the department and shall comply with the provisions of NFPA 72E or NFPA 74.

(2) INSTALLATION. (a) Smoke detectors and smoke detector systems shall be installed in accordance with the provisions of NFPA 72E or NFPA 74 and in accordance with the manufacturer's directions and specifications.

(b) Except as provided in s. ILHR 57.16 (2) (b), all smoke detectors interconnected with each other or with the manual fire alarm system shall be installed in accor-

dance with the provisions of NFPA 72. Where smoke detectors are interconnected with the manual fire alarm system, the smoke detectors shall be wired in accordance with the provisions specified in s. ILHR 16.34.

(3) MAINTENANCE. Smoke detectors shall be maintained as follows, except as noted in s. ILHR 57.16:

(a) The owner shall be responsible for maintaining the smoke detectors and the smoke detection system in good working order;

(b) Tenants shall be responsible for informing the owner, in writing, of any smoke detector malfunction, including the need for a new battery;

(c) The owner shall have 5 days upon receipt of notice from the tenant to repair or replace the smoke detector or replace the battery; and

(d) The owner shall furnish to the tenant written notice of the responsibilities of the tenant and the obligations of the owner regarding smoke detector maintenance.

History: Cr. Register, December, 1981, No. 312, eff. 1-1-82; am. (2) and (3) (c), Register, October, 1982, No. 322, eff. 11-1-82; am. (1) and (2) (a) Register, December, 1983, No. 336, eff. 1-1-84; r. and recr. (3), Register, April, 1990, No. 412, eff. 5-1-90; am. (1) and (2), Register, January, 1994, No. 457, eff. 2-1-94.

ILHR 51.25 Incorporation of standards by reference. (1) CONSENT. Pursuant to s. 227.21, Stats., the attorney general and the revisor of statutes have consented to the incorporation by reference of the standards listed in sub. (4).

(2) COPIES. Copies of the adopted standards are on file in the offices of the department, the secretary of state and the revisor of statutes. Copies of the standards may be purchased through the respective organizations listed in Tables 51.25-1 to 51.25-21.

(3) INTERIM AMENDMENTS. Interim amendments of the adopted standards shall have no effect in the state until such time as this section is correspondingly revised to reflect the changes.

(4) ADOPTION OF STANDARDS. The standards referenced in Tables 51.25-1 to 51.25-21 are hereby incorporated by reference into this chapter.

Note: The tables in this section provide a comprehensive listing of all of the standards adopted by reference in this code. For requirements or limitations in how these standards are to be applied, refer to the code section that requires compliance with the standard.

Table 51.25-1

Standard Reference Number	Title
AA	Aluminum Association 900 19th Street NW Washington, D.C. 20006
SAS-30	Specifications for Aluminum Structures Aluminum Construction Manual, Section 1, 1986.

Table 51.25-2

Standard Reference Number	Title
ACI	American Concrete Institute P.O. Box 19150 Detroit, Michigan 48219
1. 318-89 (Revised 1992)	Building Code Requirements for Reinforced Concrete.

2. 318-1-89 (Revised 1992)	Building Code Requirements for Structural Plain Concrete.
3. 530-88/ASCE 5-88	Building Code Requirements for Masonry Structures.
4. 530.1-88/ASCE 6-88	Specifications for Masonry Structures.

Table 51.25-3

Standard Reference Number	Title
AIA	The American Institute of Architects Order Department 9 Jay Gould Court P.O. Box 753 Waldorf, MD 20601
R673	Guidelines for Construction and Equipment of Hospital and Medical Facilities, 1987 edition.

Table 51.25-4

Standard Reference Number	Title
AISC	American Institute of Steel Construction 400 North Michigan Avenue Chicago, IL 60611
S326	Specification for the Design, Fabrication, and Erection of Structural Steel for Buildings, with Commentary, November 1, 1978, with supplement #1.

Table 51.25-5

Standard Reference Number	Title
AITC	American Institute of Timber Construction 11818 S.E. Mill Plain Blvd., Suite 415 Vancouver, Washington 98684
1. 117-87	Design Standard Specifications for Structural Glued Laminated Timber of Softwood Species
2. 119-85	Standard Specifications for Hardwood Glued Laminated Timber

Table 51.25-6

Standard Reference Number	Title
AISI	American Iron and Steel Institute 1133 15th Street, N.W., Suite 300 Washington, D.C. 20005
1. SG-671	Specification for the Design of Coldformed Steel Structural Members, August, 1986.
2.	Manual For Structural Applications of Steel Cables For Buildings, 1973.

Table 51.25-7

Standard Reference Number	Title
ANSI	American National Standards Institute, Incorporated 1430 Broadway New York, New York 10018
1. Z83.4-1989	Direct Gas-Fired Make-up Air Heaters.
2. Z83.18-1987, with Z83.18a-1987 Addenda	Direct Gas-Fired Industrial Air Heaters.
3. Z97.1-1984	Safety Glazing Materials Used in Buildings.

Table 51.25-8

Standard Reference Number	Title
APA	American Plywood Association P.O. Box 11700 7011 South 19th Street Tacoma, Washington 98460
1. PS 1-83	U.S. Product Standard for Construction and Industrial Plywood, Revised October, 1988.

Table 51.25-9

Standard Reference Number	Title
1. 81850	Handbook of Fundamentals, 1985.
2. 52-76	Methods of Testing Air-Cleaning Devices Used in General Ventilation for Removing Particulate Matter.

Table 51.25-10

Standard Reference Number	Title
1. A6-87d	General requirements for rolled steel plates, shapes, sheet piling and bars for structural use.
2. A36-87	Structural steel.
3. A82-85	Plain steel wire for concrete reinforcement.
4. A116-87	Zinc-coated (galvanized) steel woven wire fence fabric.
5. A153-82 (1987)	Zinc coating (hot-dip) on iron and steel hardware.
6. A615-87a	Deformed and plain billet-steel bars for concrete reinforcement.
7. A616-87	Rail-steel deformed and plain bars for concrete reinforcement.
8. A617-87	Axle-steel deformed and plain bars for concrete reinforcement.
9. C22-83	Gypsum.
10. C25-88	Chemical analysis of limestone, quicklime, and hydrated lime.
11. C34-84	Structural clay load-bearing wall tile.
11a. C36-91	Specification for Gypsum Wallboard.
12. C39-86	Compressive strength of cylindrical concrete specimens.
13. C42-84a	Obtaining and testing drilled cores and sawed beams of concrete.
14. C50-86	Sampling, inspection, packing, and marking of lime and limestone products.
15. C55-85	Concrete building brick.
16. C56-71 (1986)	Structural clay non-load-bearing tile.
17. C57-57 (1983)	Structural clay floor tile.
18. C62-87	Building brick (solid masonry units made from clay or shale).
19. C67-87	Sampling and testing brick and structural clay tile.
20. C90-85	Hollow load-bearing concrete masonry units.
21. C91-87a	Masonry Cement.
22. C97-83	Absorption and bulk specific gravity of natural building stone.
23. C99-87	Modulus of rupture of natural building stone.
24. C110-87	Physical testing of quicklime, hydrated lime, and limestone.
25. C140-75 (1980)	Sampling and testing concrete masonry units.
26. C144-87	Aggregate for masonry mortar.
27. C145-75 (1981)	Solid load-bearing concrete masonry units.
28. C150-86	Portland cement.
29. C170-87	Compressive strength of natural building stone.
30. C207-79 (1984)	Hydrated lime for masonry purposes.
31. C270-88	Mortar for unit masonry.
32. C317-87	Gypsum concrete.
33. C457-82a	Microscopical determination of air-void content and parameters of the air-void system in hardened concrete.
34. C471-87	Chemical analysis of gypsum and gypsum products.
35. C472-84	Physical testing of gypsum plasters and gypsum concrete.

36. C473-87a	Physical testing of gypsum board products and gypsum lath.
37. C476-83	Grout for reinforced and nonreinforced masonry.
38. C652-87a	Hollow brick (hollow masonry units made from clay or shale).
39. C666-84	Resistance of concrete to rapid freezing and thawing.
40. C952-86	Bond strength of mortar to masonry units.
41. C956-81 (1986)	Installation of Cast-In-Place Reinforced Gypsum Concrete.
42. D245-81	Establishing structural grades and related allowable properties for visually graded lumber.
43. D635-81	Rate of burning and/or extent and time of burning of self-supporting plastics in a horizontal position.
44. D1037-87	Evaluating the properties of wood-base fiber and particle panel materials.
45. D1143-81 (1987)	Testing piles under static axial compressive load.
46. D1929-77 (1985)	Ignition properties of plastics.
47. D2843-77	Density of smoke from the burning or decomposition of plastics.
48. E72-80	Conducting strength tests of panels for building construction.
49. E84-87	Surface burning characteristics of building materials.
50. E108-87	Fire tests of roof coverings.
51. E119-88	Fire tests of building construction and materials.
52. E136-82	Behavior of materials in a vertical tube furnace at 750°C
53. E152-81a	Fire tests of door assemblies.
54. E163-84	Fire tests of window assemblies.
55. E283-84	Rate of air leakage through exterior windows, curtain walls and doors.
56. E447-84	Compressive strength of masonry prisms.
57. E648-88	Critical radiant flux of floor covering systems using a radiant heat energy source.

Table 51.25-11

Standard Reference Number	Title
1. D1.1-88	Structural Welding Code-Steel
2. D1.3-89	Structural Welding Code-Sheet Steel

Table 51.25-12

Standard Reference Number	Title
1. C1-1993	All Timber Products
2. C2-1988	Lumber, Timbers, Bridge Ties and Mine Ties - Preservative Treatment by Pressure Processes
3. C4-1989	Poles - Preservative Treatment by Pressure Processes
4. C9-1993	Plywood

Table 51.25-13

Standard Reference Number	Title
1. LP-2 1988	Standards for Softwood Lumber, Timber and Plywood Pressure Treated with Water-Borne Preservatives for Above Ground Use.
2. LP-22 1988	Standards for Softwood Lumber, Timber and Plywood Pressure Treated with Water-Borne Preservatives for Ground Contact Use.

3. FDN 1988 Quality Control Program For Softwood Lumber, Timber and Plywood Pressure Treated with Water-Borne Preservatives, for Ground Contact Use in Residential and Light Commercial Foundations.

Table 51.25-14

FM Factory Mutual Research Corporation
1151 Boston-Providence Turnpike
Norwood, Mass. 02062

Standard Reference Number	Title
4450, Revised Aug 5, 1977	Approval Standard for Class I Insulated Steel Deck Roofs.

Table 51.25-15

GA Gypsum Association
810 First Street NE, #510
Washington, DC 20002

Standard Reference Number	Title
GA-600-88	Fire Resistance Design Manual

Table 51.25-16

NIDI Nickel Development Institute
15 Toronto Street, Suite 402
Toronto, Ontario, Canada M5C 2E3

Standard Reference Number	Title
9023	Stainless Steel Cold-Formed Structural Design Manual, 1974 edition

Table 51.25-17

NFPA National Fire Protection Association
One Batterymarch Park
Quincy, Massachusetts 02169

Standard Reference Number	Title
1. 10-1988	Standard for portable fire extinguishers.
2. 13-1994	Standard for the installation of sprinkler systems.
3. 13R-1994	Standard for the installation of sprinkler systems in residential occupancies up to and including four stories in height.
4. 15-1990	Standard for water spray fixed systems for fire protection.
5. 20-1987	Standard for the installation of centrifugal fire pumps.
6. 22-1987	Standard for water tanks for private fire protection.
7. 24-1987	Standard for the installation of private fire service mains and their appurtenances.
8. 25-1992	Standard for the inspection, testing, and maintenance of water-based fire protection systems.
9. 31-1987	Standard for the installation of oil-burning equipment.
10. 54-1988	National fuel gas code.
11. 71-1987	Standard for the installation, maintenance and use of signaling systems for central station service.
12. 72-1990	Standard for the installation, maintenance and use of protective signaling systems.
13. 72E-1987	Standard on automatic fire detectors.
14. 74-1989	Standard for the installation, maintenance and use of household fire warning equipment.

15. 90A-1985 Standard for the installation of air conditioning and ventilating systems.
16. 211-1988 Standard for chimneys, fireplaces, vents and solid fuel burning appliances.
17. 231-1990 Standard for general storage.
18. 231C-1991 Rack storage for materials.

Table 51.25-18

NFPA National Forest Products Association
1250 Connecticut Avenue, N.W., #200
Washington, DC 20036

Standard Reference Number	Title
1. NDS	National Design Specification for Wood Construction, 1991 Edition, including Design Values for Wood Construction, a 1991 supplement to the 1991 Edition of National Design specification for Wood Construction.
2. Technical Report No.7	The Permanent Wood Foundation System, Basic Requirements, Revised January, 1987.

Table 51.25-19

SJI Steel Joist Institute
Suite A
1205 48th Ave., North
Myrtle Beach, South Carolina 29577

Standard Reference Number	Title
	Standard Specifications, Load Tables and Weight Tables for Steel Joists and Joist Girders, 1988.

Table 51.25-20

TPI Truss Plate Institute, Inc.
583 D'Onofrio Dr., Suite 200
Madison, Wisconsin 53719

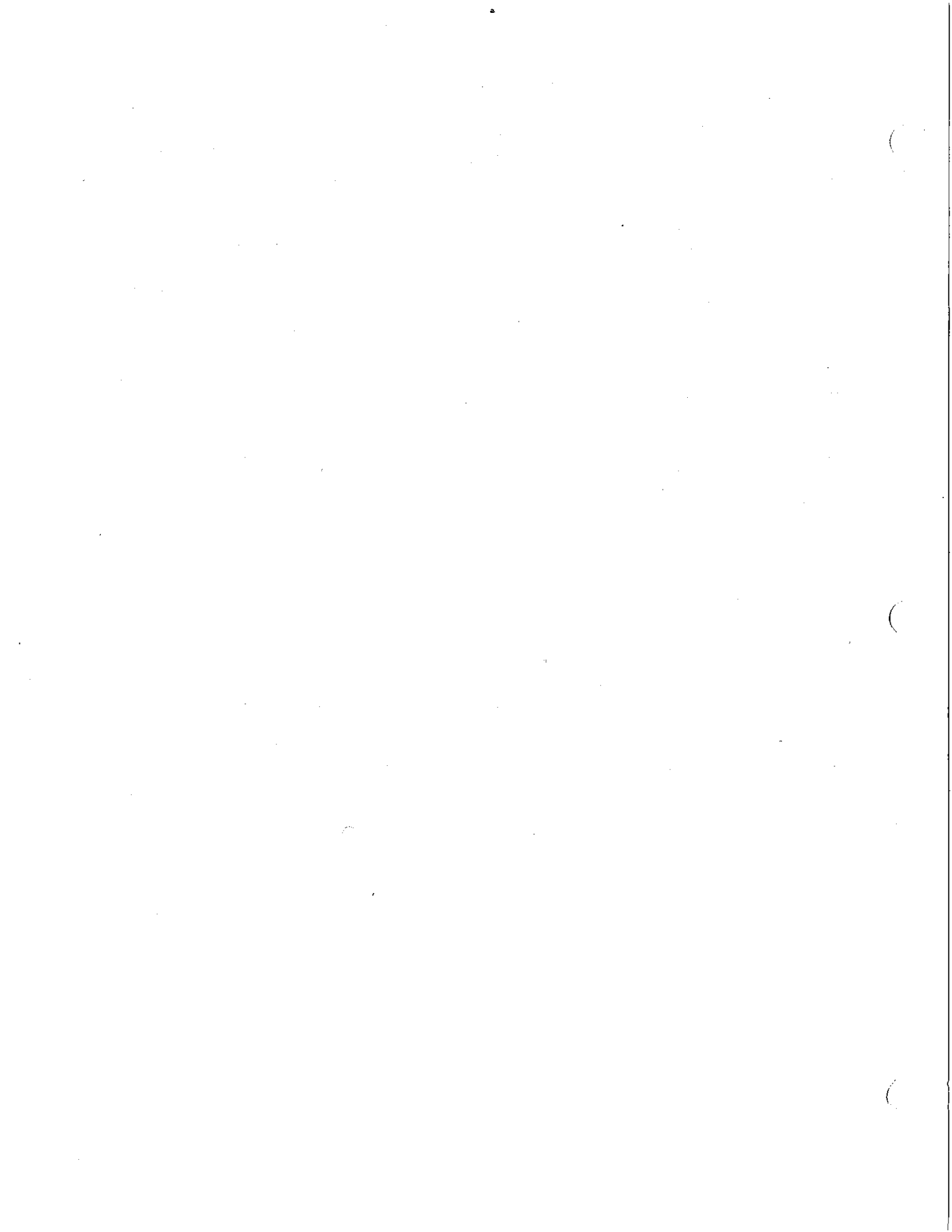
Standard Reference Number	Title
TPI-85	Design Specification for Metal Plate Connected Wood Trusses, including 1987 Supplement and Errata Addendum Sheet.

Table 51.25-21

UL Underwriters Laboratories, Inc.
Publication Stock
333 Pfingsten Road
Northbrook, Illinois 60062

Standard Reference Number	Title
1. 181-1981	Factory-Made Air Ducts and Connectors, including revisions dated March 19, 1984.
2. 1256-1985	Fire Test of Roof Deck Constructions.

History: Cr. Register, October, 1967, No. 142, eff. 11-1-67; cr. (88) to (93), Register, February, 1971, No. 182, eff. 7-1-71; r. (88) to (93) eff. 8-1-71 and recr. (88) to (93) eff. 1-1-72, Register, July, 1971, No. 187; r. and recr., Register, July, 1974, No. 223, eff. 1-1-75; am. (43), Register, December, 1978, No. 276, eff. 1-1-79; cr. (55), Register, May, 1980, No. 293, eff. 6-1-80; am. Register, December, 1981, No. 312, eff. 1-1-82; cr. (43a), (45a) and (45b), am. (47), Register, December, 1983, No. 336, eff. 1-1-84; am. Register, August, 1985, No. 356, eff. 1-1-86; r. and recr. Register, March, 1991, No. 423, eff. 4-1-91; am. tables 2, 15, 17, 18 and 20, Register, January, 1994, No. 457, eff. 2-1-94; am. Tables 10, 12 and 17, Register, March, 1995, No. 471, eff. 4-1-95.



Chapter ILHR 52

GENERAL REQUIREMENTS

Subchapter I — Fire Prevention, Detection and Suppression for High Rise Buildings

ILHR 52.01 Fire prevention, detection and suppression for high rise buildings

Subchapter II — Automatic Fire Sprinkler Systems for Low Rise Buildings

ILHR 52.011 Purpose, scope and application

ILHR 52.012 Individual room, limited area and partial automatic fire sprinkler systems

ILHR 52.013 Specified applications by occupancy or use

Subchapter III — Windows and Fire Department Access Openings

ILHR 52.02 Windows

Subchapter IV — Barrier-Free Design for the Physically Disabled

ILHR 52.04 Requirements for barrier-free design

Subchapter V — Courts

ILHR 52.05 Size of courts

ILHR 52.06 Ventilation of courts

Subchapter VI — Atriums

ILHR 52.07 Atriums

Subchapter VII — Miscellaneous Provisions

ILHR 52.19 Gas and oil lamps; gas service

ILHR 52.20 Electrical work

ILHR 52.21 Location and maintenance of exits

ILHR 52.22 Repairs

ILHR 52.23 Cleanliness

ILHR 52.24 Recycling space

ILHR 52.25 Fire division wall or occupancy separation wall identification

Subchapter VIII — Sanitary Facilities

ILHR 52.50 Toilet rooms

ILHR 52.52 Sex designation

ILHR 52.53 Location, light and ventilation

ILHR 52.54 Location without outside windows; when permitted

ILHR 52.55 Artificial light

ILHR 52.56 Size

ILHR 52.57 Floor and base

ILHR 52.58 Walls and ceilings

ILHR 52.59 Enclosure of fixtures

ILHR 52.60 Sanitary facilities

ILHR 52.61 Protection from freezing

ILHR 52.62 Disposal of sewage

ILHR 52.63 Permanent and temporary outdoor toilets

ILHR 52.64 Maintenance and housekeeping

Note: Chapter Ind 52 was renumbered to be Chapter ILHR 52 effective 1-1-84.

Subchapter I — Fire Prevention, Detection and Suppression for High Rise Buildings

ILHR 52.01 Fire prevention, detection and suppression for high rise buildings. (1) AUTOMATIC FIRE SPRINKLER SYSTEM. A complete automatic sprinkler system, as specified in s. ILHR 51.23, shall be provided in every building more than 60 feet in height, the initial construction of which is commenced after July 2, 1974. The requirements of this section shall not apply to open parking structures as defined in s. ILHR 62.10 (2).

(a) *Additions to existing buildings.* Building additions more than 60 feet in height shall have an automatic sprinkler system installed. The sprinkler protection shall be provided throughout the existing building unless the addition is separated from the existing building by a fire division wall as specified in s. ILHR 51.02 (13). The requirements of this section shall not apply to open parking structures as defined in s. ILHR 62.10 (2).

(b) *Substitute suppression systems.* When approved by the department, substitute automatic suppression systems may be used in lieu of a sprinkler system in areas where the use of water could cause unusual damage to equipment, or where water may have a limited effect or may be hazardous to use because of the nature of processes involved.

Note: The department will accept design and installation in accordance with the latest edition of the national fire protection association standards for special extinguishing systems.

(c) *Alternate methods.* When approved by the department, alternate methods of fire prevention, detection and suppression may be provided in lieu of a complete automatic sprinkler system.

Note 1: The department will request a position statement regarding the proposed method to be submitted by the fire chief of the municipality wherein the building is located.

Note 2: The department will consider alternate methods of fire prevention, detection and suppression to include, *but not limited to*, fire-resistive construction, compartmentation, automatic detection systems, interior finish restriction, and partial sprinkler protection.

(2) ADDITIONAL REQUIREMENTS FOR HIGH-RISE BUILDINGS. The following requirements apply to all buildings more than 100 feet in height or having more than 10 stories. Open parking structures and buildings used for low hazard industrial processes, including the production and distribution of gas, steam or electric power, foundries and similar uses which require unusual heights to accommodate cranes, special machinery or equipment, are exempt from the provisions of this subsection.

(a) *Smoke control.* Natural or mechanical ventilation for the removal of products of combustion shall be provided in every story and shall consist of one or more of the following methods. Controlling devices may be automatic or manual as approved by the local fire department.

1. Panels or windows in the exterior wall which can be opened from a location other than the fire floor. Such venting facilities shall be provided at the rate of at least 20 square feet per 50 lineal feet of exterior wall in each story, and distributed around the perimeter at not more than 50-foot intervals. Such panels shall be clearly identified as required by the fire department.

ILHR 52.01

2. Openable windows in habitable rooms of residential units.

3. When an automatic sprinkler system is installed in compliance with s. ILHR 51.23, the mechanical air handling equipment may be designed to assist smoke removal. Under fire conditions, the return and exhaust air shall be taken directly to the outside without recirculation to other sections of the building.

4. A mechanical ventilation system which will prevent the transfer of smoke from the fire source to other floors of the building. The design shall be substantiated by calculations or tests showing that a pressure differential of 0.10 inch of water column will be produced.

5. Any other design which will produce equivalent results.

(b) *Exit stairways.* 1. All stairways shall be pressurized. The pressure across each door shall be at least 0.15 but not more than 0.20 inch of water column with all doors closed. Pressurization shall be activated by the fire alarm system, the detection systems, and the sprinkler system. In lieu of pressurization, a smokeproof stair tower, as defined in s. ILHR 51.17, will be accepted.

Note: The department will accept alternate designs which will produce equivalent results.

2. All stairway doors which are to be locked from the stairway side shall have the capability of being unlocked without unlatching upon a signal from the central control station.

(c) *Elevators.* Every floor level of the building shall be accessible to a fire department by means of one or more elevators. If the building is not provided with an automatic sprinkler system in accordance with s. ILHR 51.23, the elevator lobby at each floor level shall be separated from the remainder of the building by an effective smoke barrier.

Note: See ch. ILHR 18 for additional requirements pertaining to elevators.

(d) *Fire alarm and detection system.* 1. A manual fire alarm box shall be located adjacent to exit doors into stairway shafts and in every elevator lobby.

2. An approved system which will provide for automatic detection of products of combustion other than heat shall be installed in every air-handling equipment room, unless sprinklered, and in the return air portion of every air conditioning and mechanical ventilation system. Approved heat detectors may be installed in boiler rooms and furnace rooms in lieu of product of combustion detectors.

a. Detectors shall be located in the main return air and supply air ducts of each ventilation system and at each opening into a vertical return air shaft or duct.

b. The detectors shall actuate an alarm or signaling system and shut down the ventilation system except where automatic smoke control is incorporated in the system.

3. The manual alarm and automatic detection system shall conform to the Wisconsin State Electrical Code, Volume 2, ch. ILHR 16 and one of the following standards:

a. NFPA 71; or

b. NFPA 72.

4. Detectors shall conform to NFPA 72E.

(e) *Alarm and communication systems.* The following alarm and communication systems shall be provided. The systems shall be supervised and exposed wiring shall be encased in a metal conduit.

1. Voice alarm system. The detection system, sprinkler water flow device and the fire alarm system shall actuate a prerecorded message or voice alarm capable of being operated from the central control station on a general as well as a selective basis to the area involved. The alarm shall be designed to be heard by all occupants within the building or designated portions.

2. Voice communication system. There shall be a voice communication system between the central control station and the following areas:

Note: The department will accept systems installed in accordance with the Standard for the Installation, Maintenance and Use of Local Protective Signaling Systems for Watchmen, Fire Alarm and Supervisory Service, NFPA No. 72A.

a. Elevators, elevator lobbies, in stairways at every fifth floor, and all manual fire alarm boxes (2-way communication system);

b. Every office area exceeding 1,000 square feet in area (one-way address system); and

c. Each dwelling unit and hotel guest room (one-way address system).

3. Fire department communication system. A system providing 2-way communication shall be provided at all floor levels, stairways, the central control station, and other locations required by the fire department.

a. The system shall be designed so the fire department communication system will override the other communication systems.

b. Wiring shall be arranged so that open circuits or short circuits on individual floors will not interfere with communications on another floor.

4. Combined system. When approved by the local fire department, the fire department communication system may be combined with the voice communication system and the voice alarm system.

(f) *Central control station.* A central control station for fire department operations shall be provided in a location approved by the fire department. It shall contain the voice communication systems panel; fire detection and alarm system panels; status indicators and controls for elevators, smoke venting and air handling systems; controls for unlocking stairway doors; a public telephone; sprinkler valve and water flow detectors; and standby power controls. All fire alarm and water flow signals shall be transmitted directly to the systems indicated in s. ILHR 52.01 (2) (d) 3.

(g) *Standby power and light.* An approved permanently installed standby power generating system shall be provided. The system shall be equipped with suitable means for automatically starting the generator set upon failure of the normal electrical service and for automatic transfer and operation of the required electrical functions at full

power within 60 seconds of such normal service failure. System supervision with manual start and transfer features shall be provided at the central control station.

1. An on-premise fuel supply sufficient for not less than 2 hours full demand operation of the system shall be provided.

2. The power requirement shall be determined so as to provide service to, but not limited to the following:

- a. Fire alarm system;
- b. Exit and other emergency lighting;
- c. Fire protection equipment;

Note: Standby power to service fire pumps may be omitted if approved by the local fire department.

- d. Mechanical ventilation required by this section;
- e. Fire department elevator; and
- f. Communication systems.

(h) *Maintenance.* All communications, fire prevention, detection and suppression systems required under this section shall be tested and maintained in an operable condition. All installed automatic sprinkler systems shall be maintained pursuant to NFPA 25. Records of inspections, tests and maintenance, as specified in NFPA 25 shall be kept and shall be made available, upon request, to the department or its authorized deputies. The local fire department shall be notified whenever the life safety systems are shut down or impaired and when placed back in service. The owner shall arrange for immediate and continual servicing or repair of the communication, fire prevention, detection and suppression systems until they are placed back in operation.

(i) *Floor level identification.* Each floor level or story shall be identified as to its number or name. Identification signs shall be posted in all elevator lobbies and in all required exit stairways.

History: Emerg. cr. eff. 1-1-75; cr. (1), Register, April, 1975, No. 232, eff. 5-1-75; cr. (2), Register, April, 1975, No. 232, eff. 1-1-76; (2), eff. 1-1-77; am. (2), Register, December, 1976, No. 252, eff. 1-1-77; am. (2) (d) 2. a. and cr. (2) (i), Register, December, 1977, No. 264, eff. 1-1-78; am. (1) (intro.), (a), (2) (intro.) and (2) (e) 2. a., Register, December, 1978, No. 276, eff. 1-1-79; am. (2) (h), Register, December, 1981, No. 312, eff. 1-1-82; am. (2) (h), Register, June, 1983, No. 330, eff. 7-1-83; emerg. am. (2) (h), eff. 9-6-86; am. (2) (h), Register, November, 1986, No. 371, eff. 12-1-86; r. and recr. (2) (c), Register, March, 1991, No. 423, eff. 4-1-91; am. (2) (d) 3. a. and b., 4 and (h), r. (2) (d) 3. c. and d., Register, January, 1994, No. 457, eff. 2-1-94.

Subchapter II — Automatic Fire Sprinkler Systems for Low Rise Buildings

ILHR 52.011 Purpose, scope and application. (1) **GENERAL.** Pursuant to s. 101.14 (4) (a), (c) and (g), Stats., created by 1983 Wis. Act 295, this subchapter establishes automatic fire sprinkler system requirements for buildings under 60 feet in height which are used as public buildings or places of employment.

(2) **GENERAL REQUIREMENT.** Except as provided in sub. (3), automatic fire sprinkler systems shall be installed in the rooms, areas, locations, and building occupancies as specified in ss. ILHR 52.012 and 52.013.

Note: Section 4-4.4.1 of NFPA 13 states: "All concealed spaces enclosed wholly or partially by exposed combustible construction shall be protected

by sprinklers." The section also listed exceptions to the rule. Buildings "completely protected" by automatic fire sprinkler systems must comply with this and related sections of NFPA 13.

(3) **ALTERNATE METHODS.** When approved by the department through the petition for variance process, alternate methods of fire protection, detection or suppression providing an equivalent degree of life safety protection may be provided.

Note: See s. ILHR 50.25 for the procedure used for submitting a petition for variance to an administrative rule.

(4) **SYSTEM DEFINITION AND STANDARD.** The automatic fire sprinkler systems specified in this subchapter shall conform to the definition specified in s. ILHR 51.01 (7a) and shall comply with the requirements specified in standards listed in s. ILHR 51.27 (7) (b), (c), (cm), (d), (e), (f), (r) and (s).

Note 1: The definition of the term "automatic fire sprinkler system" in s. ILHR 51.01 (7a) is taken from s. 145.01 (2), Stats.

Note 2: See s. A52.011 of Appendix A for additional information pertaining to fire hazard classifications, building usage, and occupancy.

(5) **AREA SEPARATION WALLS.** (a) Buildings having an area exceeding the area limitations specified in s. ILHR 52.013, may be constructed without complete automatic fire sprinkler systems provided the building is divided into areas less than the specified area limitations by at least 2-hour rated vertical fire separation walls. The fire separation wall shall extend from the foundation to the underside of the roof deck.

1. Structural framing members may continue through or over the separation wall provided the framing and supporting elements are of noncombustible or one-hour fire-resistive combustible construction.

2. All openings in the separation wall shall be protected by fire-resistive door assemblies as specified in s. ILHR 51.047.

(b) Where additions to buildings result in the area of the entire building exceeding the area limitations specified in s. ILHR 52.013, one of the following conditions shall apply:

1. The existing building and the building addition shall be completely protected by an automatic fire sprinkler system;

2. The building addition shall be separated from the existing building by a 2-hour rated vertical fire separation wall. If the area of the building addition exceeds the area limitations specified in s. ILHR 52.013, the building addition shall be completely protected by an automatic fire sprinkler system or the building addition shall be divided with 2-hour rated vertical fire separation walls as specified in par. (a); or

3. The existing building and the building addition shall be divided by 2-hour rated vertical fire separation walls as specified in par. (a).

(6) **MULTIPLE USE BUILDINGS.** Where a building contains multiple occupancies or use areas and one occupancy or use area is required by s. ILHR 52.013 to be protected by an automatic fire sprinkler system, one of the following conditions shall apply:

ILHR 52.011

(a) The occupancy or use area protected by the automatic fire sprinkler system shall be separated from the unprotected areas by at least 1-hour fire-resistive rated construction; or

(b) The entire building shall be protected by an automatic fire sprinkler system.

Note: See ss. ILHR 55.05 and 59.22 for occupancy separation requirements mandating fire-resistive separations of more than 1-hour rating.

(7) SEPARATION OF AREAS PROTECTED BY A PARTIAL AUTOMATIC FIRE SPRINKLER SYSTEM. Where the provisions of s. ILHR 52.012 require the protection of an automatic fire sprinkler system, the protected area or room shall be enclosed with construction assemblies as specified in chs. ILHR 54 to 62 and as designated in Table 51.03-A for the class of construction.

Note: This rule is intended to require an effective fire barrier between those portions of the building protected by the automatic fire sprinkler system and the adjoining unprotected portions. The fire barrier is not required to be of fire-resistive construction unless required for the occupancy, use or class of construction.

History: Emerg. cr. eff. 9-6-86; cr. Register, November, 1986, No. 371, eff. 12-1-86.

ILHR 52.012 Individual room, limited area and partial automatic fire sprinkler systems. The rooms or areas within buildings as specified in subs. (1) to (5) shall be protected by an automatic fire sprinkler system.

(1) WINDOWLESS FLOOR LEVELS. (a) Except as permitted in pars. (b) and (c), automatic fire sprinkler system protection shall be provided in all basements and floor levels where openings as specified in s. ILHR 52.02 (2) are not provided.

(b) Automatic fire sprinkler system protection need not be provided in the following windowless floor level applications:

1. Windowless floor levels of 2500 square feet or less in total area and equipped with an approved smoke detection system which is:

a. Directly and permanently wired to a proper unswitched circuit; and

b. Interconnected to the building manual fire alarm system. If the building does not have a manual fire alarm system, the smoke detection system shall be capable of sounding an audible alarm which can be heard in all occupied areas of the building.

2. Communication equipment rooms separated from the remainder of the building by at least one-hour fire resistive construction and the room is equipped with an approved automatic fire detection and alarm system;

3. Windowless floor levels in ch. ILHR 54 occupancies classified as low hazard and not exceeding 3000 square feet in area;

4. Windowless floor levels within individual living units of ch. ILHR 57 occupancies;

5. Interior balconies and open mezzanine floors; and

6. Windowless floor levels in hospitals and nursing homes.

Note: See chs. ILHR 58 and HSS 124 and 132 for additional requirements.

Register, November, 1994, No. 467

(c) One-story buildings with no floor levels below the first floor need not be provided with exterior wall openings other than the required exits. Except as provided in par. (b), enclosed mezzanine floor levels shall be protected by an automatic fire sprinkler system or provided with exterior wall openings.

(2) LAUNDRY AND TRASH COLLECTION ROOMS AND CHUTES. Automatic fire sprinkler system protection shall be provided in all laundry and trash chutes and terminal rooms. Automatic fire sprinklers shall be installed at the top of the chute and at alternate floor levels.

(3) STORAGE AREAS. (a) Except as provided in par. (b), automatic fire sprinkler system protection shall be provided in storage areas exceeding 100 square feet in area and located in chs. ILHR 55, 56, and 57 occupancies. The areas of individual adjacent storage areas shall be considered cumulatively unless each storage area is separated from the adjacent area by at least 30 minute fire resistive rated construction with openings protected by 20 minute rated fire doors.

(b) Automatic fire sprinkler system protection need not be provided in the following storage area applications:

1. Storage areas not exceeding 1500 square feet in area which are separated from the remainder of the building by at least one-hour fire resistive construction and the area is equipped with an approved smoke detection system, which is:

a. Directly and permanently wired to a proper unswitched circuit; and

b. Interconnected with the building manual fire alarm system. If the building does not have a manual fire alarm system, the smoke detection system shall be capable of sounding an audible alarm which can be heard in all occupied areas of the building; and

2. Storage areas located within individual living units of ch. ILHR 57 occupancies.

(4) STAGE AREAS REQUIRING PROSCENIUM SEPARATIONS. Automatic fire sprinkler system protection shall be provided for all stage areas requiring proscenium separations within or behind the proscenium separation as follows:

(a) Over the stage;

(b) Under the stage gridiron with side wall sprinkler heads rated at 135° having heat baffle plates. The heads shall be installed around the entire perimeter of the stage, except above the proscenium opening, at points not more than 30 inches below the gridiron, nor more than 6 inches below the baffle plate;

(c) Under all fly galleries;

(d) Under the stage;

(e) In all basements, workrooms, dressing rooms, store rooms and property rooms; and

(f) In toilet, lounge and smoking rooms.

History: Emerg. cr. eff. 9-6-86; cr. Register, November, 1986, No. 371, eff. 12-1-86; am. (1) (a), Register, March, 1991, No. 423, eff. 4-1-91.

ILHR 52.013 Specified applications by occupancy or use. Except as provided in s. ILHR 52.011 (5), a complete auto-

matic fire sprinkler system shall be installed as specified in the following occupancies:

(1) **MERCANTILE OCCUPANCIES.** (a) Except as provided in par. (b), in mercantile occupancies where the area exceeds 15,000 sq. ft. per floor or 30,000 sq. ft. total area of all floors; or the height exceeds 3 stories;

(b) Mercantile occupancies without complete automatic fire sprinkler protection may be constructed up to the areas permitted in Table 54.01-1, but not exceeding 20,000 sq. ft. per floor provided the following conditions are satisfied:

1. The building is completely equipped with an automatic smoke detection system monitored by a fire alarm system company, proprietary or remote station service;

2. The distance to an exit does not exceed 100 feet; and

3. Street access for fire fighting vehicles is provided on at least 50% of the building perimeter.

(2) **EXHIBITION ROOMS.** In rooms having more than 12,000 sq. ft. of floor area which can be used for exhibition or display purposes.

(3) **LIBRARIES AND MUSEUMS.** In libraries and museums either of which exceed 15,000 sq. ft. area per floor.

(4) **RESTAURANTS, NIGHT CLUBS AND DANCE HALLS.** (a) In restaurants where the floor area exceeds 12,000 sq. ft. per floor or where the capacity is more than 1,000 persons.

(b) 1. In buildings with rooms primarily used for dance halls or entertaining occupants who are drinking or dining and unseparated accessory uses where the total area exceeds 5,000 sq. ft. per floor or where the capacity is more than 300 persons.

2. The area of accessory rooms such as but not limited to kitchens, storage rooms and other use areas shall be included unless the accessory rooms are separated from the remainder of the building by at least one-hour fire-resistive construction.

(5) **DETENTION AND CORRECTION FACILITIES.** In all detention and correctional facilities with a resident population of 6 or more.

(6) **STORAGE OCCUPANCIES.** (a) 1. Except as provided in par. (b), in buildings having an area exceeding 20,000 sq. ft. and used for high-piled storage of moderate hazard contents as specified in subd. 2.

2. High-piled storage shall include moderate hazard combustible materials in closely packed piles more than 15 feet in height or moderate hazard combustible materials on pallets or in racks more than 12 feet in height.

(b) 1. The automatic fire sprinkler system protection may be limited to the storage area of the building only provided the storage area is separated from the remainder of the building by at least 2-hour fire-resistive rated construction.

2. Automatic fire sprinkler system protection need not be provided in freezer warehouses.

Note: See s. ILHR 54.01 (2) (c) for additional requirements.

(c) The automatic fire sprinkler protection required by this subsection shall be in accordance with NFPA 231 and 231C.

Note: See s. A52.011 for additional information on classification of hazards.

(7) **HIGH HAZARD BUILDINGS.** (a) Except as provided in par. (b), an automatic fire sprinkler system shall be installed in all high hazard occupancies exceeding 3000 sq. ft. in floor area.

Note: See s. A52.011 of Appendix A for additional information regarding classification of hazards.

(b) When approved by the department, alternate types of fire protection or suppression systems as may be appropriate for the particular hazard may be provided.

Note: The department will request a position statement regarding the proposed method to be submitted by the fire chief of the municipality having jurisdiction.

History: Emerg. cr. eff. 9-6-86; cr. Register, November, 1986, No. 371, eff. 12-1-86; am. (4) (a) and (b) 1., Register, March, 1991, No. 423, eff. 4-1-91; am. (6) (c), Register, January, 1994, No. 457, eff. 2-1-94.

Subchapter III — Windows and Fire Department Access Openings

ILHR 52.02 Windows. (1) **NATURAL LIGHT.** (a) Every room in which one or more persons live or sleep, shall be lighted by a skylight or skylights, or a window or windows opening directly upon a street or alley or upon a court on the same lot with the building, except as permitted [in] s. ILHR 57.13 (2).

(b) Windows shall not be required in storage rooms, factories, offices, mercantile facilities, educational facilities or areas where the nature of occupancy will not permit windows provided artificial lighting as specified in ch. Ind 19 is provided.

(2) **FIRE DEPARTMENT ACCESS OPENINGS.** (a) *Application.* Any basement or any floor level which is not protected by an automatic fire sprinkler system shall be provided with at least 20 square feet of aggregate opening in each 50 lineal feet of exterior wall of that basement or floor level on at least one side of the building, except as permitted under s. ILHR 52.012 (1). For the purpose of this requirement, openings 20 square feet in area spaced 100 feet apart and no more than 50 feet from the end of a wall shall satisfy the intent of this requirement.

(b) *Dimensions.* Openings shall have minimum dimensions of not less than 22 inches by 42 inches. The bottom of the opening shall be not more than 48 inches above the floor.

(c) *Accessibility.* The openings shall be accessible to the fire department from the exterior and shall be unobstructed to allow fire-fighting and rescue operations.

1. a. A clear space not less than 5 feet in width measured perpendicular to the building wall shall be provided outside of access openings.

b. A stairway or ramp to grade not less than 3 feet in width shall be provided where the bottom of the opening is more than 4 feet below grade.

2. An interior stairway may serve as basement access if the stairway leads directly to an exterior door and is sepa-

rated at the first story with one-hour fire-resistive rated construction and protected openings. The stairway may not serve any floor level above the first story.

3. A skylight or hatch may serve as a basement access opening if a ladder or stairs from the floor below is provided.

4. Access openings shall be doors, windows, glazed panels or other panels readily identifiable and openable from the outside. Access panels requiring the use of a key, special tools or devices for opening will be permitted if approved by the fire department having jurisdiction.

5. The fire department access shall open into the general area of the floor being served, where an aisle or passageway leading to the opening can be maintained clear of obstructions.

Note: An opening located within a tenant storage cubicle is not acceptable.

(d) *Number of openings required.* Except as provided in s. ILHR 52.012 (1) (c), every floor level of a building more than 75 feet deep, measuring at right angles to the openings, shall have openings in that level on at least 2 sides of the building.

(e) *Locations.* Openings in the basement shall be located so any location in the basement is within 75 feet of an opening.

History: 1-2-56; am. Register, December, 1962, No. 84, eff. 1-1-63; r. and recr. (1) (a), Register, October, 1967, No. 142, eff. 11-1-67; am. (1) (a) Register, May, 1971, No. 185, eff. 6-1-71; r. and recr., Register, September, 1973, No. 213, eff. 10-1-73; cr. (1) (b), Register, January, 1980, No. 289, eff. 2-1-80; r. and recr. Register, June, 1983, No. 330, eff. 7-1-83; r. and recr. (2), Register, February, 1984, No. 338, eff. 3-1-84; emerg. r. and recr. (2), eff. 9-6-86; r. and recr. (2), Register, November, 1986, No. 371, eff. 12-1-86; r. and recr. (1) (a) (intro.) and (2) (a), r. (1) (a) 1. and 2., (b) 2., renum. (1) (b) 1. to be (b), Register, March, 1991, No. 423, eff. 4-1-91; am. (2) (d), Register, January, 1994, No. 457, eff. 2-1-94.

ILHR 52.03 Window cleaning. *History:* 1-2-56; am. Register, December, 1962, No. 84, eff. 1-1-63; am. (1) (a), (3) and (4), Register, December, 1981, No. 312, eff. 1-1-82; corrections in (1) (b), (c) and (2) made under s. 13.93 (2m) (b) 7, Stats., Register, March, 1991, No. 423; r. Register, January, 1994, No. 457, eff. 2-1-94.

Subchapter IV — Barrier-Free Design for the Physically Disabled

ILHR 52.04 Requirements for barrier-free design. (1) **PUBLIC BUILDINGS AND PLACES OF EMPLOYMENT.** Except for covered multifamily housing as specified in sub. (2), all public buildings and places of employment shall be designed to be accessible and usable by people with disabilities in accordance with the requirements of ch. ILHR 69.

(2) **MULTIFAMILY HOUSING.** All covered multifamily housing as defined in s. ILHR 57.77 (6) shall be designed and constructed in accordance with the requirements of ss. ILHR 57.70 to 57.871.

History: Cr. Register, December, 1974, No. 228, eff. 1-1-75; r. and recr. (3) (b), (4), (5) and (9) (a) and (b), am. (6), (7) (a), (7) (e), (8) (c) and (d), r. (9) (d) 3., Register, December, 1975, No. 240, eff. 1-1-76; am. table, (4) (c) 2 and (6) (e), Register, December, 1976, No. 252, eff. 1-1-77; cr. (2) (b) and (c), (3) (a) 3, am. (3) (b) (intro.), (4) (b) and (c) 1, (5), (7) (a), (c) and (e), (8) (b) and (9) (a) 1 and 2, r. and recr. (8) (b), Register, December, 1977, No. 264, eff. 1-1-78; am. (4) (c) 2., (5) (b), (6) (a) to (c), (7) (a) and (8) (c), Register, December, 1978, No. 276, eff. 1-1-79; am. (4) table, (5) (b), (9) (a) 1., (9) (c) 1. and 2., r. and recr. (3) and (8), cr. (9) (a) 3., Register, January, 1980, No. 289, eff. 2-1-80; cr. (8) (h), Register, December, 1981, No. 312, eff. 1-1-82; am. (8) (e), Register, November, 1994, No. 467

Register, October, 1982, No. 322, eff. 11-1-82; r. and recr. Table 52.04, (3), (6) (c), (7) and (9), am. (4) (b), (8) (c) and (8) (h) 1., cr. (10), Register, December, 1983, No. 336, eff. 1-1-84; am. (3) (a) (intro) and 2., (3) (c) 1. and (d) 1., (6) (a), (7) (a), Table 52.04-B and (8) (e), r. and recr. (3) (d) 3., Table 52.04-A, (7) (c), (8) (d) and (10) (d), renum. (8) (f) to (h) to be (8) (g) to (i), cr. (8) (f) and (11), r. (10) (e), Register, August, 1985, No. 356, eff. 1-1-86; reprinted to correct error in (11) (a) 3., Register, May, 1988, No. 389; r. and recr. (4) (b), Register, August, 1988, No. 392, eff. 9-1-88; emerg. am. Table 52.04, eff. 1-12-93; am. (4) (c) 2, Register, August, 1993, No. 452, eff. 3-1-94; corrections in (3) made under s. 13.93 (2m) (b) 1, Stats., Register, December, 1993, No. 456; r. and recr. (2) and (4) (b), cr. (4) (d) and (6) (g), Register, March, 1994, No. 459, eff. 4-1-94; am. Table 52.04, Register, April, 1994, No. 460, eff. 5-1-94; r. and recr., Register, November, 1994, No. 467, eff. 12-1-94.

ILHR 52.041 Health care facilities — new construction. *History:* Cr. Register, December, 1981, No. 312, eff. 1-1-82; cr. (1) (c), Register, December, 1983, No. 336, eff. 1-1-84; r. Register, November, 1994, No. 467, eff. 12-1-94.

ILHR 52.042 Existing health care facilities. *History:* Cr. Register, December, 1981, No. 312, eff. 1-1-82; r. Register, November, 1994, No. 467, eff. 12-1-94.

Subchapter V — Courts

ILHR 52.05 Size of courts. (1) In applying the following requirements, a building from 30 to 43 feet high shall be considered as having at least 3 stories, and each additional 13 feet shall be considered an additional story.

(2) Outer lot line courts shall be not less than 5 feet wide for a court 2 stories or less in height and 40 feet or less in length, measured from the lot line to the wall of the building. For each additional story in height, the width of such court shall be increased one foot; and for each additional 15 feet or fraction thereof in length, the width of such court shall be further increased one foot.

(3) Outer courts between wings or parts of the same building, or between different buildings on the same lot, shall be not less than 6 feet wide for a court 2 stories or less in height and 40 feet or less in length. For each additional story in height, the width of such court shall be increased one foot, and for each additional 10 feet or fraction thereof in length, the width of such court shall be further increased one foot.

(4) Where outer courts or outer lot line courts open at each end to a street or other open space not less than 15 feet wide, the above lengths may be doubled.

(5) Inner lot line courts one story high shall be not less than 5 feet wide and not less than 45 square feet in area. Inner lot line courts 2 stories high shall be not less than 6 feet wide and not less than 60 square feet in area. For every additional story, every such inner lot line court shall be increased by at least one lineal foot in length and one lineal foot in its width.

(6) Inner courts shall be not less than 10 feet in width nor less than 150 square feet in area for courts 2 stories or less in the height; and for every additional story every such inner court shall be increased by at least one lineal foot in its length and one lineal foot in its width.

(7) Courts shall not be covered by a roof or skylight but the entire required area shall be open and unobstructed from the bottom thereof to the sky. No fire escape or stairway shall be constructed in any court unless the court be enlarged proportionately.

(8) Walls of inner courts whose least horizontal dimension is less than one-fourth the height, shall be faced with material with a permanent white surface or shall be painted white at least every 2 years.

(9) No buildings shall be altered or enlarged to encroach upon space reserved under this code for light and air on the lots or parcels of ground on which such building is erected.

History: 1-2-56; am. (2) and (5), Register, September, 1973, No. 213, eff. 10-1-73.

ILHR 52.06 Ventilation of courts. At the bottom of every shaft or inner court there shall be sufficient access to such shaft or court to enable it to be properly cleaned out. Every inner court which is required under s. ILHR 52.02 and which is more than one story in height, shall have an intake for fresh air, leading from the street or other open space. The area of such intake in square feet shall equal at least .002 of the number of cubic feet contained in the court, but such area need not be more than 50 square feet. Every intake shall be of not less than 2-hour fire-resistive construction and unless the intake is used as a passageway for persons, there shall be no openings into the same other than the inlet and outlet.

History: 1-2-56; am. Register, December, 1981, No. 312, eff. 1-1-82.

Subchapter VI — Atriums

ILHR 52.07 Atriums. (1) SCOPE. (a) All buildings, except those classified as high hazard, fully protected by an automatic fire sprinkler system may have atriums complying with the provisions of this section.

Note: See s. A 52.011 for further information regarding the classification and listing of high hazard buildings.

(b) All atriums, except as provided in ss. ILHR 55.09, 58.06 (2), 60.34, 61.12 (4) and 62.27 shall comply with the provisions of this section.

(2) **MINIMUM OPENING AND AREA.** Atriums shall have a minimum opening and area as specified in Table 52.07-1.

**TABLE 52.07-1
Atrium Opening and Area**

Height in Floor Levels	Minimum Clear Opening ¹ (Ft.)	Minimum Area (Sq. Ft.)
3-4	20	400
5-7	30	900
8 or more	40	1,600

¹The specified dimensions are the diameters of inscribed circles whose centers fall on a common axis for the full height of the atrium.

(3) **SMOKE CONTROL SYSTEM.** (a) *General.* A mechanically operated air-handling system shall be installed that will exhaust smoke either entering or developed within the atrium.

(b) *Exhaust openings.* 1. Exhaust openings shall be located in the ceiling or in a smoke trap area immediately adjacent to the ceiling of the atrium.

2. The lowest level of the exhaust openings shall be located above the top of the highest portion of door openings into the atrium.

(c) *Supply openings.* Supply openings shall be sized to provide a minimum of 50% of the exhaust volume and shall be located with the bottom of the opening within 18 inches of the floor of the lowest level of the atrium.

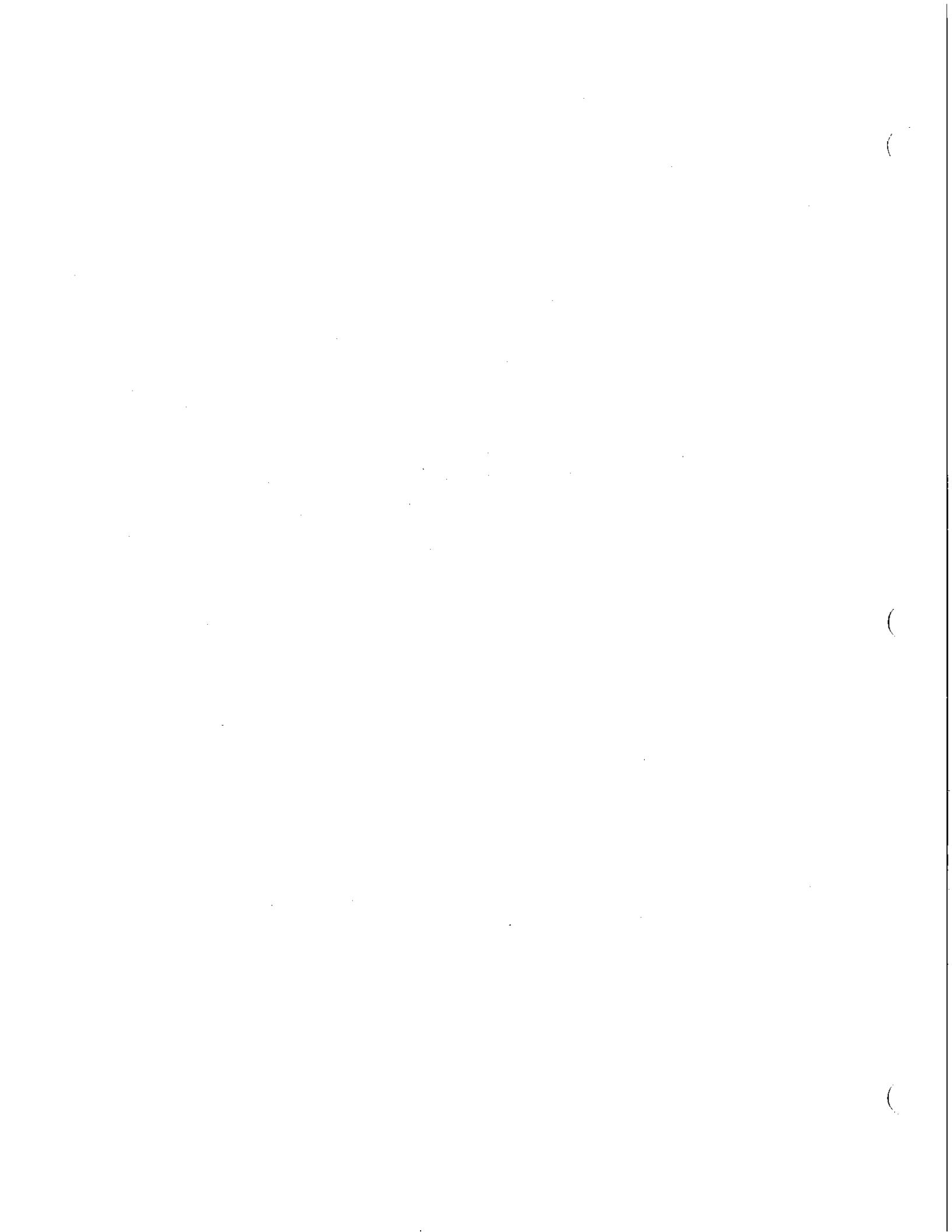
(d) *Supply air.* 1. When the height of the atrium is 55 feet or less, supply air may be introduced by gravity, provided smoke control is accomplished.

2. When the height of the atrium is more than 55 feet, supply air shall be introduced mechanically from the floor of the atrium and be directed vertically toward the exhaust outlets.

3. In atriums over 55 feet in height or where tenant spaces above the second story are open to the atrium, supplemental supply air may be introduced at upper levels.

(e) *Systems activation and operation.* 1. The exhaust and supply system for the atrium shall operate automatically upon the actuation of either the automatic fire sprinkler system within the atrium or areas open to the atrium or by

Next page is numbered 75



the actuation of 2 or more smoke detectors required by sub. (4), or both.

2. The exhaust and supply equipment shall also be manually operable by controls designed for fire department use.

3. The smoke-control system may be separate or integrated with other air-handling systems.

4. When the smoke-control mode is actuated, air-handling systems which would interfere with the smoke-control system shall be automatically shut down.

(f) *Smoke-control in spaces.* Spaces separated from the atrium but sharing a common wall shall be provided with a smoke-control system as follows:

1. The mechanical air-handling equipment for the tenant space may be designed to accomplish smoke removal;

2. Upon activation of the smoke detection or automatic fire sprinkler system within the space, the return and exhaust air shall be moved directly to the outside without recirculation to other sections of the building; and

3. The air handling system shall provide a minimum of 6 air changes per hour of exhaust air for the tenant space involved.

(g) *Sizing of smoke-control systems.* The atrium smoke-control system shall exhaust not less than the following quantities of air:

1. Atriums of 600,000 cubic feet or less. a. Except as provided in subpar. b., a minimum of 6 air changes per hour but not less than 40,000 CFM for atriums having a volume of 600,000 cubic feet or less including the volume of any levels not physically separated from the atrium.

b. A lesser rate of air movement shall be acceptable provided it can be shown by test that smoke will not migrate beyond the perimeter of the atrium.

2. Atriums greater than 600,000 cubic feet. A minimum of 4 air changes per hour for atriums having a volume greater than 600,000 cubic feet including the volume of any levels not physically separated from the atrium.

(4) **SMOKE DETECTION SYSTEM.** (a) 1. An interconnected smoke detection system which will automatically operate the atrium smoke-control system shall be installed at the perimeter and on the ceiling of the atrium and on the ceiling of each floor level that is open to the atrium.

2. Smoke detectors shall be located within 15 feet of the atrium on floor levels open to the atrium.

(b) Smoke detection systems and individual smoke detectors shall be located and installed in accordance with their listing from a nationally recognized testing laboratory and s. ILHR 51.245.

(5) **ENCLOSURE OF ATRIUMS.** (a) Except as provided in par. (b), atriums shall be separated from adjacent spaces by at least one-hour fire-resistive rated construction.

(b) Open exit balconies are permitted within the atrium.

(c) The separation between the adjacent space and the atrium as specified in par. (a) may be omitted on a maxi-

imum of any 3 floor levels, provided the remaining floor levels are separated as specified in par. (a).

(6) **OPENINGS IN THE ATRIUM ENCLOSURE.** (a) *Door openings.* 1. Except as provided in subd. 2., openings in the atrium enclosure shall be protected by at least ¾-hour, self-closing fire door assemblies as specified in s. ILHR 51.047.

2. The doors may be left open if equipped with an automatic closing device activated by products of combustion other than heat.

(b) *Fixed glazed openings.* Except as provided in subds. 1. and 2., fixed glazed openings shall be protected by at least ¾-hour fire window assemblies as specified in s. ILHR 51.048 and the total area of the openings shall not exceed 25% of the area of the common wall between the atrium and the room into which opening is provided.

1. In ch. ILHR 57 residential occupancies, openings may be unprotected when the floor area of each guest room or living unit does not exceed 1000 square feet and each guest room or living unit has an approved exit not entering the atrium.

2. In all occupancies other than ch. ILHR 57 residential occupancies, the tenant space may be separated from the atrium by a wired, tempered or laminated glass wall, in a gasketed frame so installed that the glazing system may deflect without breaking the glass before the automatic fire sprinkler system operates.

(7) **EXITING.** (a) *Exit distance.* When a required exit enters the atrium space, the travel distance from the doorway of the tenant space to an enclosed stairway, horizontal exit, exterior door or exit corridor shall not exceed 100 feet. The maximum allowable exit distance, as required by chs. ILHR 54 to 62 shall also be met.

(b) *Prohibitions.* Sleeping rooms of ch. ILHR 58 health care facilities shall not be permitted to have required exits through the atrium.

(c) Except as provided in ss. ILHR 54.08, 55.09 and 57.08, unenclosed stairs within the atrium may not serve as required exit stairs.

(8) **OCCUPANCY SEPARATIONS.** (a) Except as provided in par. (b), at least a one-hour fire-resistive separation, as specified in s. ILHR 51.08, shall be provided between different occupancies and each and every tenant space.

(b) The vertical portion of the occupancy separation adjacent to the atrium may be omitted between:

1. Chapter ILHR 54 office and sales areas and ch. ILHR 57 guest rooms and living units located on another level;

2. Chapter ILHR 55 assembly halls without a stage and having an occupant load of less than 300 persons and ch. ILHR 57 guest rooms and living units located on another level; and

3. Chapter ILHR 54 office and ch. ILHR 55 assembly halls without a stage and having an occupant load of less than 300 persons.

(9) **STANDBY POWER.** The smoke-control system for the atrium and the smoke-control system for the tenant space

ILHR 52.07

shall be provided with emergency standby power as specified in s. ILHR 16.32.

(10) INTERIOR FINISHES. The interior finish of walls and ceilings of the atrium and all unseparated spaces as permitted in sub. (5) (c) shall be Class A. No reduction in class may be permitted for automatic fire sprinkler system protection.

(11) ACCEPTANCE OF THE SMOKE-CONTROL SYSTEM. Before occupancy, the smoke-control systems shall be tested in an approved manner and shall show compliance with the requirements of this section.

Note: See Appendix A for a reprint of an approved test procedure.

(12) INSPECTION OF THE SMOKE-CONTROL SYSTEM. (a) All operating parts of the smoke-control systems shall be tested by an approved inspection agency or by the owner or designated agent or the smoke control system shall be fully supervised.

(b) The tests shall be made every 3 months and a log of the tests shall be kept. Fully supervised smoke control systems shall be tested at least annually.

(c) The log shall be on the premises and available for examination by department personnel or authorized deputies of the department.

History: Cr. Register, August, 1985, No. 356, eff. 1-1-86; r. and recr. (1), Register, March, 1991, No. 423, eff. 4-1-91; r. and recr. (5), am. (8) (a) and (10), Register, January, 1994, No. 457, eff. 2-1-94.

Subchapter VII — Miscellaneous Provisions

ILHR 52.19 Gas and oil lamps. (1) Gas and oil lamps shall not be used where electricity is available, except within living units of apartment buildings.

(2) Gas and oil lamps shall be placed at least 6 feet above the floor level, at least 6 inches from any combustible partition or wall, and at least 2 feet (measured from top of flame) below any combustible ceiling unless properly protected by a metal shield with at least 2 inches of air space above. Swinging brackets shall be provided with a guard or stop so that the light cannot come nearer to the partition or wall than one foot. In aisles and public passageways, every such light shall be protected by an incombustible guard unless the light is at least 7 feet above the floor. Gas and oil lights shall be kept at least 2 feet from any drape or window curtain.

(3) Every gas supply main shall have a service cock outside of the building, so placed and maintained that it can be shut off at any time without entering the building.

History: 1-2-56; am. (1), Register, September, 1973, No. 213, eff. 10-1-73.

ILHR 52.20 Electrical work. All electrical work shall conform to the requirements of the Wisconsin State Electrical Code, Volume 2, ch. ILHR 16, of the department.

Note: For the design requirements for transformer vaults, see ch. E 450 of the Wisconsin State Electrical Code, Volume 2, ch. ILHR 16.

History: 1-2-56; am. Register, January, 1961, No. 61, eff. 2-1-61.

ILHR 52.21 Location and maintenance of exits. Every exit mentioned in ss. ILHR 51.15 to 51.20, inclusive, shall lead to a street, alley or open court connected with a Register, January, 1994, No. 457

street. All such exits and all passageways leading to and from the same, shall be kept in good repair and unobstructed at all times.

History: 1-2-56; am., Register, January, 1980, No. 289, eff. 2-1-80.

ILHR 52.22 Repairs. Every building shall be kept in good repair and the roof shall be maintained to prevent leakage. All rainwater shall be so drained and conveyed to prevent dampness in the walls and ceilings.

Note: Public schools are required by s. 120.12 (5), Stats., to have annual building maintenance schedules, and are required by s. 121.02 (1) (i), Stats., to be safe and healthful. The inspections conducted by the department under s. ILHR 56.21 include a review of these maintenance schedules.

History: Cr. Register, December, 1981, No. 312, eff. 1-1-82.

ILHR 52.23 Cleanliness. Every building, including connecting yards, courts, passages, areas or alleys, shall be kept clean, and shall also be kept free from any accumulation of dirt, filth, rubbish, garbage, or other matter.

History: Cr. Register, December, 1981, No. 312, eff. 1-1-82.

ILHR 52.24 Recycling space. (1) **APPLICABILITY.** All buildings under the scopes of chs. ILHR 54 to 62 shall provide a separate room or designated space within or adjacent to the building for the separation, temporary storage and collection of recyclable materials likely to be generated by the building occupants, under any of the following conditions:

(a) The construction of a new public building;

(b) An increase in the existing area of a public building which increases the gross floor area of the structure by 50% or more; or

(c) An alteration of 50% or more of the existing area of a public building that is 10,000 square feet or more in area.

Note: The collection and temporary storage of recyclable materials that are flammable or combustible is regulated by ch. ILHR 14. Storage of liquids that are flammable or combustible is regulated by ch. ILHR 10. Owners of buildings where these materials are stored should consult those chapters for isolation, removal and storage standards.

(2) **DESIGNATED SPACE.** Designated space for the separation, temporary storage and collection of recyclable materials shall be provided within or adjacent to all buildings under sub. (1), except where a separate trash collection room is provided. In buildings where a trash collection room is provided, a clearly designated space for recyclables shall be provided.

Note: See Appendix C for guidelines for recommended designated space.

(3) **ROOMS FOR SEPARATION, COLLECTION AND STORAGE.** (a) Separate rooms provided for the separation, collection and temporary storage of recyclable materials shall comply with s. ILHR 52.012 (2).

(b) When an automatic fire sprinkler system is provided, the system shall be designed and installed in an acceptable manner, and material may not be placed closer than 18 inches below sprinkler deflectors or discharge orifices.

(c) For buildings regulated under ch. ILHR 58, rooms provided for the separation, collection and temporary storage of recyclable materials shall comply with s. ILHR 58.24 or 58.62.

Note: Structural support for safe floor loads shall be in accordance with s. ILHR 53.11 (1) (d).

(4) **STORAGE HEIGHT.** The height of recyclable materials temporarily stored shall be limited so that stacked material is stable and secured against sliding or collapse.

Note: See ch. ILHR 14 for more restrictive storage heights, where applicable.

(5) **CLEARANCE.** (a) Containers for the collection or temporary storage or the space designated as a collection or storage point may not be located so as to limit the use of exits, exit passageways, stairways, fire escapes or areas normally used for safe egress for the building occupants or in such a manner as to obstruct normal movement of employees in the performance of their duties.

(b) Where mechanical equipment is used in the collection, separation, temporary storage or removal of recyclable materials, sufficient safe clearance shall be provided for equipment turning and passage.

(6) **PROHIBITIONS.** Storage of recyclable materials is prohibited within furnace or mechanical rooms. If designated space is adjacent to a building, the area provided may not be within 5 feet of combustible walls, wall openings or roof eaves.

Note: See ch. ILHR 14 for more restrictive distances from storage of flammable and combustible materials to adjacent buildings and lot lines.

History: Cr. Register, October, 1992, No. 442, eff. 5-1-93; am. (3) (b), Register, January, 1994, No. 457, eff. 2-1-94.

ILHR 52.25 Fire division wall or occupancy separation wall identification. (1) **PURPOSE.** Pursuant to s. 101.135, Stats., the purpose of this section is to establish uniform standards for the identification of fire division walls or occupancy separation walls of 2-hour fire-resistive rating or greater on the exterior of buildings.

(2) **MUNICIPAL ORDINANCE.** A city, village, or town may by ordinance require owners to identify the location of a fire division wall or occupancy separation wall at the exterior walls of buildings with a sign. A sign may not be required to identify a fire division wall or occupancy separation wall:

(a) Abutting exterior walls of 2 or more buildings along streets in downtown areas;

(b) With a visible parapet from the street;

(c) Which extends above roofs and is an exterior wall of another part of a building; and

(d) In buildings more than 3 stories.

(3) **DEFINITION.** "Fire division wall or occupancy separation wall" means a wall extending from the lowest floor level to or through the roof and extending the full width or length of the building.

Note: See "fire division wall" as defined in s. ILHR 51.01 (144)(b); fire division wall requirements in accordance with s. ILHR 51.02 (13), or occupancy separation wall requirements in accordance with s. ILHR 51.02 (20); and occupancy separation requirements in accordance with Table 51.08.

(4) **SIGN REQUIREMENTS.** (a) *General.* The sign shall consist of 3 circles arranged vertically on the exterior wall marking the location of the fire division wall or occupancy separation wall and centered on the fire division wall or occupancy separation wall. The circles may be affixed di-

rectly to the surface of the building or may be placed on a background material which is affixed to the building.

(b) *Size of circle.* Each circle shall be the same size. The diameter of the circle shall be at least 1½ inches, but no greater than 2 inches.

(c) *Spacing.* The circles shall be spaced equal distance apart. The maximum distance measured from the top of the uppermost circle to the bottom of the lowermost circle shall be 12 inches.

(d) *Color.* The color of the circle shall be limited to either red, amber (orange-yellow) or white (clear) and shall be reflective. The color of the circle shall contrast with the color of the background.

(5) **LOCATION.** The top of the sign shall be located on the face of the exterior wall of the building and located no more than 12 inches below the eave, roof edge, fascia or parapet.

History: Cr. Register, January, 1994, No. 457, eff. 2-1-94.

Subchapter VIII — Sanitary Facilities

ILHR 52.50 Toilet rooms. (1) Every place of employment and public building shall be provided with toilet rooms as specified in chs. ILHR 54 to 62.

(2) Entrances for toilet rooms shall be provided with doors or mazed passageways to ensure privacy to the users of the toilet rooms, except as permitted in ss. ILHR 56.16 (1) and 60.15 (3). If mazed passageways are employed in lieu of doors:

(a) The passageways of the maze shall be at least 48 inches in width;

Note: See appendix for further explanatory materials.

(b) The walls creating the maze shall be at least 6 feet 8 inches high;

(c) The maze shall prevent a direct view of the water closet compartments or urinals from the outside entrance of the maze;

(d) The maze shall prevent an indirect view of the water closet compartments or urinals from the outside entrance of the maze by means of mirrors located within the toilet room; and

(e) The toilet room shall be provided with an exhaust fan which is to be on continuously while the building is occupied, and which is to create a negative pressure within the toilet room with respect to the area outside the toilet room.

History: 1-2-56; am. Register, December, 1962, No. 84, eff. 1-1-63; am. Register, December, 1976, No. 252, eff. 1-1-77; r. and recr. Register, March, 1991, No. 423, eff. 4-1-91; am. (2) (intro.), (c) and (d), Register, August, 1993, No. 452, eff. 3-1-94.

ILHR 52.52 Sex designation. Where separate toilet rooms are provided for each sex as required by this code, each toilet room shall be clearly marked with regard to the sex for which it is designated. Words such as MEN or WOMEN, in letters not less than one-inch high, or appropriate symbols may be used to designate the sex for which the toilet room is designed. Where a single toilet room is pro-

ILHR 52.52

vided for use by either sex, the toilet room may be marked as UNISEX.

Note: The American Disabilities Act Accessibility Guidelines may require more restrictive standards on size and arrangement of toilet rooms as published in the Federal Register, 28 CFR, Part 36.

History: 1-2-56; am. Register, September, 1973, No. 213, eff. 10-1-73; am. Register, December, 1976, No. 252, eff. 1-1-77; am. Register, August, 1993, No. 452, eff. 3-1-94.

ILHR 52.53 Location, light and ventilation. (1) Every toilet or bathroom shall be so located as to open to outside light and air, by windows or skylights opening directly upon a street, alley or court, except as provided in s. ILHR 52.54.

(2) The glazed opening area for a toilet room containing one water closet or urinal shall be at least 4 square feet. A toilet room containing one water closet or urinal shall have a window with a net openable area of at least 2 square feet.

(a) Bathrooms containing a water closet or urinal shall be considered as a toilet room.

(3) No toilet room shall have windows or ventilator openings in any elevator shaft or inner court that has windows of habitable rooms above.

(4) Every toilet room having more than one fixture including closets and urinals shall be ventilated in accordance with the provisions of s. ILHR 64.65, except that this requirement shall not apply to chemical or septic toilets which are installed in accordance with the provisions of the chemical toilet code or the septic toilet code issued by the department.

(a) The size of gravity vent ducts, if surmounted with effective siphon type hoods, may be determined as follows:

$$\frac{A \times 2}{300} = \text{net cross sectional area of vent duct in square feet.}$$

Where A = floor area in the toilet room in square feet.

History: 1-2-56; am. Register, December, 1962, No. 84, eff. 1-1-63; r. and recr. Register, October, 1967, No. 142, eff. 11-1-67; am. (3), Register, September, 1973, No. 213, eff. 10-1-73; am. (4) (intro.), Register, December, 1975, No. 240, eff. 1-1-76; am. (4), Register, December, 1981, No. 312, eff. 1-1-82; am. (2) (intro.), Register, August, 1993, No. 452, eff. 3-1-94.

ILHR 52.54 Location without outside windows; when permitted. (1) SINGLE FIXTURE TOILET ROOMS AND BATHROOMS. (a) Except as provided in par. (b), windows may be omitted in bathrooms or toilet rooms having one water closet or urinal and lavatory or bathing facility where artificial light and either mechanical exhaust ventilation or an approved ductless air circulating and treatment device is provided.

(b) The use of ductless air circulating and treatment devices in taverns and restaurants is prohibited.

(2) **MULTIPLE FIXTURE TOILET ROOMS.** Toilet rooms with more than one fixture (water closet or urinal) will be permitted without windows if mechanical ventilation, in accordance with the requirements of s. ILHR 64.65, and artificial light are provided.

History: 1-2-56; r. and recr. Register, October, 1967, No. 142, eff. 11-1-67; am. Register, December, 1975, No. 240, eff. 1-1-76; r. and recr. Register, December, 1977, No. 264, eff. 1-1-78; am. (1), Register, December, 1983, No. 336, eff. 1-1-84.

Register, January, 1994, No. 457

ILHR 52.55 Artificial light. Every toilet room, except those within living units, shall be artificially lighted during the entire period that the building is occupied, wherever and whenever adequate natural light is not available, so that all parts of the room, especially the toilet compartments, shall be provided with artificial light intensity of not less than 2.5 footcandles at the floor level.

History: 1-2-56; am. Register, September, 1973, No. 213, eff. 10-1-73.

ILHR 52.56 Size. Every toilet room shall have at least 14 square feet of floor area with a minimum width of 3 feet, and at least 100 cubic feet of air space for each water-closet and each urinal in addition to the space required for lavatories if installed within the toilet room.

ILHR 52.57 Floor and base. Every toilet room, except those within living units of apartment buildings, shall have the entire floor and the side walls to a height of not less than 4 inches of a material impervious to water.

Note: This section is also intended to prohibit the use of wall registers within 4 inches of the floor, baseboard registers and floor registers.

History: 1-2-56; am. Register, September, 1973, No. 213, eff. 10-1-73; am. Register, December, 1981, No. 312, eff. 1-1-82; am. Register, February, 1991, No. 422, eff. 3-1-91.

ILHR 52.58 Walls and ceilings. (1) The walls and ceilings of every toilet room shall be completely covered with smooth non-absorbent material.

(2) The interior surface of walls and partitions shall be of light color to improve illumination and facilitate cleaning.

History: 1-2-56; r. and recr. Register, September, 1959, No. 45, eff. 10-1-59; am. (1), Register, December, 1977, No. 264, eff. 1-1-78.

ILHR 52.59 Enclosure of fixtures. (1) PRIVACY. Water closets and urinals within a toilet room shall be arranged to ensure privacy. Water closets shall be enclosed with partitions, except as provided in ss. ILHR 58.68 (1) (a) and 60.15 (3). Urinals shall be placed against walls at least 6 feet 8 inches high and arranged individually with or without partitions.

(a) **Exceptions. 1.** The above requirements need not apply to toilet rooms accommodating only a single water closet or urinal or as specified in s. ILHR 52.59 (6) (b).

2. A privacy lock shall be provided for a toilet room with a single water closet and a nonregulated urinal when privacy partitions are not provided.

(2) **PARTITION DESIGN.** The partition enclosure shall provide privacy from an elevation of 12 inches above the floor to 5½ feet above the floor. All partitions and doors shall be of material and finish required for walls and ceilings under s. ILHR 52.58 and ensure privacy.

(3) **COMPARTMENT DESIGN.** The water closet compartments in toilet rooms shall be not less than 30 inches in width, and shall be not less than 54 inches in depth with a clearance of not less than 24 inches between the fixture and the compartment door when closed except as specified in s. ILHR 52.04 (8). Compartment doors which are hung to swing inward shall clear the fixture by not less than 2 inches.

(4) **PROHIBITIONS.** No admission fee shall be charged for the use of any toilet room in a public building or place of employment. Key-locking of toilet rooms is prohibited in

all buildings except service stations and filling stations having exterior toilet room access.

Note: Section 146.085, Stats., prohibits charging a fee for the use of any toilet compartment and imposes a fine for violations.

History: 1-2-56; am. (3) and cr. (4), Register, November, 1963, No. 95, eff. 12-1-63; am. (2), Register, February, 1974, No. 218, eff. 3-1-74; r. (4), Register, December, 1974, No. 228, eff. 1-1-76; am. (3), Register, December, 1975, No. 240, eff. 1-1-76; cr. (4), Register, December, 1976, No. 252, eff. 1-1-77; am. (1), Register, December, 1977, No. 264, eff. 1-1-78; am. (1) (intro.), Register, March, 1991, No. 423, eff. 4-1-91; am. Register, August, 1993, No. 452, eff. 3-1-94.

ILHR 52.60 Sanitary facilities. (1) WATER CLOSETS. (a) Except as permitted in par. (b), all water closets required to be provided in public buildings and places of employment shall:

1. Be of an elongated bowl type; and

2. Provided with either:

a. Hinged, open-front seats without covers; or

b. Hinged, closed-front seats, without covers, which are encased with a continuous plastic sleeve capable of providing a clean surface for every user and for which a specific material approval under s. ILHR 50.19 has been issued.

(b) Water closets which are required to be provided in day care centers or individual living units or sleeping units of residential occupancies within the scope of either ch. ILHR 57 or 61 may be of a round-bowl type with a hinged, closed front seat with or without a cover.

Note 1: Under s. 145.25, Stats., and s. ILHR 84.20 (3) all water closets may not use more than 4 gallons of water per flush.

Note 2: The plumbing code, s. ILHR 84.20 (5) (m) 7., prescribes requirements for water closets relative to their location to partitions, side walls and other obstructions. See appendix for further explanatory material.

(2) URINALS. (a) *Stall type.* Stall-type urinals shall be set into the floor, and the floor shall be graded toward the fixture. Spaces between stall-type urinals, or urinals and sidewalls, shall be filled in flush with the front and top of the urinal with nonabsorbent material if the space is less than 12 inches.

(b) *Wall type.* Wall-hung urinals may be installed in all buildings except child day care facilities and elementary schools from kindergarten through 8th grade.

Note 1: The definitions and general classifications for schools are found in s. 115.01, Stats.

Note 2: The department recommends that wall-hung urinals be installed at a height between 22 inches to 24 inches above the floor.

Note 3: See s. ILHR 52.04 (8) for additional requirements dealing with making wall-hung urinals accessible for people with disabilities.

(c) *Flushing devices.* The urinals shall be equipped with an effective flushing device which limits the use of water to not more than 1.5 gallons per urinal per flush.

(d) *Multiple urinals.* Batteries of urinals shall be spaced not less than 30 inches center-to-center. The center line of a single urinal shall be at least 16 inches from the nearest sidewall or partition.

(e) *Materials.* Only individual urinals of porcelain, vitreous china, stainless steel, or other nonabsorbent materials approved by the department shall be used.

(3) HAND-WASHING AND DRYING FACILITIES. Hand-washing facilities shall be provided in all places of employment and public buildings as specified in the occupancy chapters of chs. ILHR 54 to 62.

(a) *Lavatories.* Except as provided in sub. (6), lavatories shall be of an approved type and shall be provided with hot and cold running water. The faucets of such lavatories shall be of a type which limits the flow of water through the faucet, after the handle is released, to not more than one gallon. Lavatories in toilet rooms of private living units shall be equipped to limit the flow of water to not more than 3 gallons per minute. The lavatories may be equipped with a hot and cold regulating device. If a multiple-use lavatory is installed, 24 lineal inches of wash sink or 20 inches measured along the edge of a circular basin will be considered equivalent to one lavatory. At least one lavatory shall be provided either in each toilet room or in a sex-designated lounge adjacent to the toilet room.

(b) *Hand-drying facilities.* Individual hand towels, sections of cloth or paper, or clean individual sections of continuous toweling, convenient to the lavatories, shall be provided. Hand-drying facilities shall be provided at the ratio of at least one unit for every 3 lavatories. Warm-air blowers may be substituted for up to one-half of the required hand-drying units. Warm-air blowers shall provide air at not less than 90° F, nor more than 140° F.

Note: The department will accept the qualified blowers listed by Underwriters' Laboratories, Inc.

(c) *Toilet soap.* Soap or similar cleansing agents shall be provided.

(d) *Receptacles.* Receptacles shall be provided for the disposal of used towels and other waste materials.

(4) DRINKING FACILITIES. Drinking facilities shall be provided in all buildings except in areas where food and drinks are served. Drinking facilities shall not be installed in toilet rooms, except in residential occupancies. Drinking fountains, coolers or individual cups at a potable water source may be provided. Common drinking cups are prohibited.

Note: Where running water is not available, a covered drinking water container, equipped with a faucet or bubbler, may be provided. The container should be cleaned and sanitized at frequent intervals.

(5) BATHING FACILITIES. Bathing facilities shall be provided for the specific occupancies outlined in the occupancy chapters of this code.

(a) All shower compartments, regardless of shape, shall have at a minimum finished interior of 900 square inches and shall be capable of encompassing a 30-inch circle. The minimum required area and dimension shall be measured at a height 24 inches above the top of the threshold and at a point tangent to its centerline. The minimum area and dimensions shall be maintained to a point 70 inches above the shower waste outlet with no protrusions other than the fixture valve or valves, showerheads, soap dishes and safety grab bars or rails. Each shower room or compartment shall be constructed of material impervious to moisture. The floor of the shower room or compartment shall be provided with a slip-resistant finish.

(b) **HOT AND COLD WATER.** Except as provided in sub. (6), bathing facilities shall be provided with hot and cold water and be equipped with a hot and cold water regulat-

ing device. The device shall be plainly marked. Supply or feed pipes to showers shall be placed overhead or protected to avoid the probability of a person coming in contact with the hot water pipes. Showers shall be equipped to limit the flow of water to not more than 3 gallons per minute per shower head.

(c) **TOILET SOAP AND TOWELS.** Employees who use showers shall be provided with soap or other appropriate cleansing agents and clean individual towels.

Note: See ch. ILHR 82 for special fixture requirements.

(6) **LAVATORIES, USE OF HOT OR TEMPERED WATER.** (a) Lavatories, wash fountains and shower heads which are not located in dwelling units or living units shall be supplied with either tempered water or hot water.

1. Tempered water shall be provided to lavatories, wash fountains and shower heads by means of tempering mixing valves.

(b) Lavatories located in park shelters and bath houses which are not open during the period from November 15 to March 15 and which are not places of employment shall not be required to be provided with hot water.

(c) Lavatories located in waysides which are not places of employment shall not be required to be provided with hot water.

Note: The exception of providing hot water under pars. (a) to (c) does not supercede the requirements of other state agencies for providing hot water.

History: 1-2-56; r. and recr., Register, September, 1959, No. 45, eff. 10-1-59; am. (1), Register, September, 1973, No. 213, eff. 10-1-73; r. and recr., Register, December, 1974, No. 228, eff. 1-1-75; am. (1) and (2) (d), r. and recr. (2) (b), cr. (2) (f), (3), (4) and (5), Register, December, 1976, No. 252, eff. 1-1-77; am. (2) (c), Register, May, 1978, No. 269, eff. 6-1-78; am. (1), (2) (c), (3) (a) and (5) (b), Register, January, 1980, No. 289, eff. 2-1-80; r. (2) (f), r. and recr. (5) (a), Register, August, 1985, No. 356, eff. 1-1-86; am. (3) (a) and (5) (b), cr. (6), Register, May, 1988, No. 389, eff. 6-1-88; r. and recr. (1) and (3) (intro.), Register, March, 1991, No. 423, eff. 4-1-91; am. (2) (b) and (3) (a), Register, January, 1994, No. 457, eff. 2-1-94; r. (6) (a) 2. and 3., Register, October, 1994, No. 466, eff. 11-1-94.

ILHR 52.61 Protection from freezing. All water-closets and urinals and the pipes connecting therewith shall be properly protected against freezing, so that such water-closets and urinals will be in proper condition for use at all times.

ILHR 52.62 Disposal of sewage. (1) Each water-closet and urinal, and each lavatory or slop sink, located in a toilet room shall be connected with a sewer and water system, where such systems are available. In locations where a sewer system is not available, or cannot be made available, the disposal of human waste may be accomplished as follows:

(a) Sewage treatment tank and disposal system; or

Note: For detailed requirements on such systems see chs. ILHR 82 and 83.

(b) Where the local conditions make it impractical to install such system, outdoor toilets, as described in s. ILHR 52.63, or other facilities, such as septic toilets installed in accordance with the provisions of the state plumbing code, chs. ILHR 81 to 87, may be used; provided that in the case of places of employment for more than 10 persons, schools larger than 2 rooms, and apartment houses, water-flush toilets as herein described shall be

Register, October, 1994, No. 466

provided, unless outdoor toilets or other facilities are permitted in writing by the department.

History: 1-2-56; am. (1) (b), Register, August, 1993, No. 452, eff. 3-1-94.

ILHR 52.63 Permanent and temporary outdoor toilets. (1) **PERMANENT OUTDOOR TOILETS.** Permanent outdoor toilets shall comply with ss. ILHR 52.50 to 52.59, inclusive, and in addition:

(a) No privy, with or without a seepage pit or other container as specified for use by the department, shall be erected or maintained within 50 feet of any well, 10 feet of the line of any street or other public thoroughfare, 5 feet of the property line or 25 feet of a door, window or other outdoor openings of any building;

(b) A permanent outdoor toilet shall be located on a site where the soil is well-drained, and where there is no possibility of contaminating any drinking water supply, groundwater or surface water;

Note: Refer to ch. ILHR 83 for soil and site criteria for location of outdoor toilets.

(c) A permanent outdoor toilet shall be provided with a suitable approach, such as a concrete, gravel or cinder walk;

(d) For permanent outdoor toilets the foundations shall be of concrete or other masonry;

(e) The vault of a permanent outdoor toilet shall extend at least 6 inches above ground, be impervious to light, and be proof against entrance by flies, rats, or other vermin. The upper portion shall be of concrete, or of brick or stone laid in cement mortar. If located on a site with poorly-drained soil, the entire vault shall be of concrete, brick, or stone, or laid in cement mortar;

(f) All windows, ventilators and other openings shall be screened to prevent the entrance of flies, and all doors shall be self-closing. A separate ventilator shall be provided for the vault and shall extend from the vault to not less than one foot above the roof and be provided with an effective ventilating hood; and

(g) The entire installation shall be kept clean and sanitary. Milk of lime (freshly slaked lime) or other equally effective disinfectant shall be used in the vault and in the urinal trough in sufficient quantities, and at frequent intervals. The floors, seats and urinals shall be scrubbed as often as necessary. The vault shall be cleaned out at proper intervals.

(2) **TEMPORARY OUTDOOR TOILETS.** Temporary outdoor toilets shall comply with ss. ILHR 52.50 to 52.59, inclusive, and in addition:

(a) No temporary toilet may be erected or maintained within 50 feet of any well, 10 feet of the line of any street or other public thoroughfare, unless vehicular traffic has been temporarily detoured while toilets are in use, 5 feet of the property line between premises or 25 feet of a door, window or other outdoor openings of any building;

(b) A temporary outdoor toilet shall be stabilized and located on a site where the soil is well-drained, and where there is no possibility of contaminating any drinking water supply, groundwater or surface water;

(c) A temporary outdoor toilet shall be located with an approach such that access is unobstructed, and free of brush, debris and standing water;

(d) A temporary outdoor toilet shall be serviced by a licensed septage disposer and the contents disposed of properly as required by ch. NR 113;

(e) For specialty events centers without permanent sanitary fixtures in number as required by Tables 54.12-A or 54.12-B, temporary outdoor toilets shall be used to meet the number required for the event, using capacity or seating capacity.

History: 1-2-56; am. (1) (intro.) to (e), cr. (2), Register, August, 1993, No. 452, eff. 3-1-94.

ILHR 52.64 Maintenance and housekeeping. (1) MAINTENANCE OF TOILETS. Every toilet room, and every part thereof, including walls, floor, ceiling and fixture therein, shall be kept clean, efficient, and in good repair.

(2) **PAPER.** In every toilet room, sufficient toilet paper made of material which will not interfere with the operation of the system or obstruct the fixtures, shall be provided.

(3) **DEFACEMENT.** Indecent or suggestive marks, pictures, or words are forbidden in toilet rooms, and such defacement when found shall be removed at once.

(4) **SERVICE CLOSETS.** In buildings having 5 or more fixtures (water closets and/or urinals) a service closet shall be provided conforming with the requirements for toilet rooms.

(a) The service closet shall be supplied with mop, broom, bucket, soap, toilet paper, toweling and other equipment for sanitary upkeep of toilet rooms.

History: 1-2-56; r. and recr. (4), Register, October, 1967, No. 142, eff. 11-1-67.

Chapter ILHR 53

STRUCTURAL REQUIREMENTS

- ILHR 53.01 Scope
- Subchapter I — Minimum Allowable Loads**
- ILHR 53.10 Dead loads
- ILHR 53.11 Live loads
- ILHR 53.12 Wind loads
- ILHR 53.13 Impact loads
- ILHR 53.14 Horizontal crane forces
- ILHR 53.15 Load combinations
- ILHR 53.16 Stability
- ILHR 53.17 Interior nonload-bearing walls and partitions
- Subchapter II — Foundations**
- ILHR 53.20 General
- ILHR 53.21 Soil bearing capacity
- ILHR 53.22 Unprepared fill material, organic material
- ILHR 53.23 Frost penetration
- ILHR 53.24 Piling
- ILHR 53.25 Settlement
- ILHR 53.26 Protection of adjoining property
- ILHR 53.27 Cut or fill slopes
- ILHR 53.28 Pole foundations
- Subchapter III — Masonry**
- ILHR 53.30 General
- ILHR 53.31 Materials
- ILHR 53.311 Masonry units
- ILHR 53.312 Mortar
- ILHR 53.313 Masonry grout
- ILHR 53.314 Cementitious materials
- ILHR 53.315 Water
- ILHR 53.316 Reinforcing, ties and anchors
- ILHR 53.32 Design
- ILHR 53.321 Types of masonry
- ILHR 53.322 Empirical method of design
- ILHR 53.323 Engineered masonry
- ILHR 53.33 Construction
- ILHR 53.34 Miscellaneous design-construction details
- ILHR 53.35 Tests
- ILHR 53.36 Veneer, furring and trim
- Subchapter IV — Concrete**
- ILHR 53.40 Concrete requirements
- ILHR 53.41 Gypsum concrete requirements
- Subchapter V — Metals**
- ILHR 53.50 Structural steel requirements
- ILHR 53.51 Cold-formed steel requirements
- ILHR 53.52 Steel joist requirements
- ILHR 53.53 Structural welding of steel
- ILHR 53.54 Aluminum framing requirements
- ILHR 53.55 Stainless steel requirements
- ILHR 53.56 Steel cable requirements
- Subchapter VI — Wood and Wood Fiber Products**
- ILHR 53.60 General
- ILHR 53.61 Materials and design of structural elements
- ILHR 53.62 Special systems
- ILHR 53.63 Minimum construction requirements
- ILHR 53.64 Wood foundations

History: Chapter Ind 53 as it existed on December 31, 1974, was repealed and a new chapter Ind 53 was created Register, July, 1974, No. 223, effective January 1, 1975; chapter Ind 53 was renumbered to be chapter ILHR 53 effective 1-1-84.

ILHR 53.01 Scope. This chapter provides the minimum requirements for the structural design of all buildings, structures and foundations to provide safe support of all dead loads, superimposed live and special loads, without exceeding the prescribed allowable stresses or departing from accepted engineering practice.

Note: References. All standards referred to in this chapter will be identified by the acronym designation and the number of the standard.

History: Cr. Register, July, 1974, No. 223, eff. 1-1-75.

Subchapter I — Minimum Allowable Loads

ILHR 53.10 Dead loads. All buildings and structures, and parts thereof, shall be designed and constructed to support the actual dead weight of all component members in addition to the weight of partitions, ceiling finishes, floor finishes, stairways, safes and service equipment such as sprinkler systems, plumbing stacks, heating and air conditioning equipment, electrical equipment, elevators, flues and similar fixed equipment which become a part of the building.

Note: Unless the project owner submits a written application for waiver, the department will consider 3 pounds per square foot as minimum service equipment load.

History: Cr. Register, July, 1974, No. 223, eff. 1-1-75.

ILHR 53.11 Live loads. (1) All buildings and structures, and parts thereof, shall be designed and constructed to

support the superimposed live loads, specified in Table 53-I, uniformly distributed in pounds per square foot of horizontal area. These load requirements shall be considered only as a minimum. In every case where the loading is greater than this minimum, the design of the building or structure, or part thereof, shall be for the actual load and loading conditions. The most severe distribution, concentration and combination of design loads and forces shall be taken into consideration.

**TABLE 53-I
FLOOR LOADINGS**

Occupancy	PSF
(a) Business	
1. Offices	50
2. Offices with heavy business machines, heavy files, book stacks	100
(b) Mercantile	
1. Retail stores, shops, banks, restaurants, taverns, funeral homes	100
2. Wholesale stores	125
(c) Industrial	
1. Manufacturing, light	100
2. Manufacturing, heavy	150
(d) Storage	
1. Warehouse, light	125
2. Warehouse, heavy	250
3. Paper storage	
a. Compact	50 psf per ft. of ht.
b. Loose	30 psf per ft. of ht.
4. Garages — storage or repair	80

ILHR 53.11

TABLE 53-I Continued

Occupancy	PSF
or 8,000 pound axle load in any possible position (whichever produces larger stresses).	
5. Parking decks	
a. All areas for passenger cars	50
b. Top floors, if open to sky, shall be designed for 50% of the roof load specified in sub. (4) in addition to	50
c. Express lanes and ramps with a slope of 12% or more, the vertical loading (50 psf) shall be increased by 25%	
d. All areas for trucks and buses	80
or 8,000 pound axle load in any possible position (whichever produces larger stresses)	
(e) Assembly areas	
1. Armories, drill rooms	150
2. Assembly halls, auditoriums, lecture halls, churches, lodge rooms, theaters, courtrooms, balconies, with:	
a. Fixed seats	60
b. Movable seats	100
3. Dance floors, gymnasiums, exhibition rooms, passenger stations, skating rinks, restaurant serving and dining areas.....	100
4. Recreational areas such as bowling alleys and pool rooms	75
5. Floors supporting portable reviewing stands and assembly seating facilities with vertical dead load less than 15 pounds per square foot	100
6. Stage floors	150
7. Floors supporting portable reviewing stands and assembly seating facilities with vertical dead load of 15 pounds per square foot or more	100
plus the actual vertical dead load of reviewing stand or assembly seating facility	
(f) Educational	
1. Schools and related facilities	
a. Classrooms, study rooms, laboratories, display areas, offices	50
b. Floors of open plan schools	75
c. Industrial arts, home economics, music and band rooms	80
d. Gymnasiums, cafeteria areas	100
2. Libraries (public or in schools)	
a. Reading areas	60
b. Stack areas (20 psf per foot of height) but not less than	150
3. Museums and art galleries	80
(g) Residential	
1. Apartments, dormitories, guest rooms in hotels and motels	40
2. Storage in apartment buildings	80
3. Attic storage within living units.....	20
(h) Institutional	
1. Ward and private rooms in hospitals, nursing homes, asylums, cells in penal institutions	40
2. Operating rooms in hospitals, clinics	60
(i) Miscellaneous (applies to all occupancies above)	
1. Stairways, corridors, vestibules, lobbies	
a. in residential and institutional buildings	80
b. in all other buildings	100
2. Rest rooms and toilet rooms in public places	50
3. Equipment rooms (heating-ventilating, mechanical, electrical) equipment weight plus 40 psf, but not less than	75
4. Structural sidewalks and promenade decks	
a. with no vehicular restriction	250
or 12,000 pounds concentrated load in any position	
b. with vehicular restriction	100
5. Walkways and elevated platforms, other than exitways, and their supports serving as access to equipment rooms and other normally unoccupied areas	60
6. Accessible, nonstorage attics and catwalks ...	25

(2) Loads not specified in Table 53-I. See s. ILHR 53.11 (1).

(3) Live load reductions. (a) No reduction of live load shall be allowed in the design of any slab or joist.

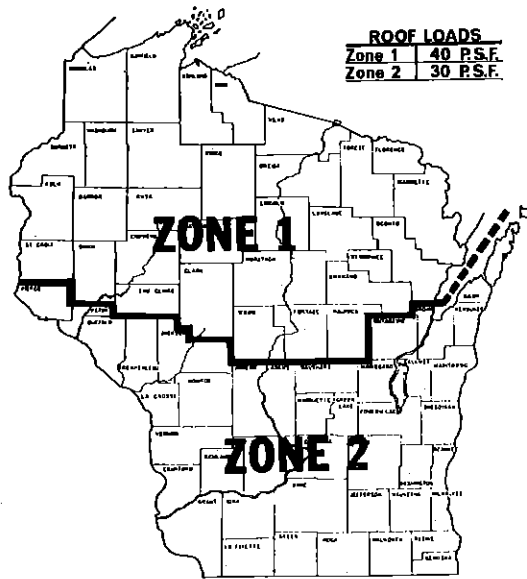
(b) No reduction of live load shall be allowed in the occupancies mentioned in Table 53-I pars. (d) storage and (e) assembly areas.

(c) For determining the total live load carried by foundations, columns, piers, and walls, the following reductions can be applied to the entire floor area tributary to these members:

carrying the roof	0%
carrying 1 floor and roof	0%
carrying 2 floors and roof	10%
carrying 3 floors and roof	20%
carrying 4 floors and roof	25%
carrying 5 floors and roof	30%
carrying 6 floors and roof	35%
carrying 7 floors and roof	40%
carrying 8 floors and roof	45%
carrying 9 or more floors and roof.....	50%

(d) Except for roofs, a reduction in live load of one percent per 20 square feet is allowed for beams and girders which have a tributary area in excess of 150 square feet. The maximum reduction should not exceed 15% and such reduction shall not be carried into the structural members supporting these beams and girders.

(4) ROOF LOADS. Roof structural members subject to snow accumulation shall be designed for all of the following roof load distributions.



Zone Map for Roof Loads

(a) 1. Except as provided in subd. 2., full load as indicated in the zone map for roof loads distributed over the entire area. The loads shall be applied to the horizontal projection of the roof.

2. a. Roofs, except of greenhouses, with an unobstructed slippery surface such as glass, plastic, metal, slate or similar material that will allow snow to slide off the eaves and having a slope (α) exceeding 30° , may be designed for a load determined by multiplying the roof load specified in subd. 1., by a slope factor (C_R) using the following formula:

$$C_R = 1.0 - \left(\frac{\alpha - 30^\circ}{40^\circ} \right)$$

b. Roofs of greenhouses and other similar glazed structures shall be designed in accordance with this section or s. ILHR 62.96.

(b) Unbalanced or partial loading for the following conditions:

1. Full load on the leeward side and one-half load on the windward side of sloped roofs having a pitch of 15° or more;

2. Full load on the end span of continuous purlin members having a tributary area of 200 square feet or less and one-half on the remaining spans; and

3. a. Except as provided in subpar. b., full load on any one portion of the roof area and one-half on the remaining portion of the roof area, in a manner to produce the greatest effects on cantilever members and the anchor spans.

b. Cantilever roof framing design shall include anchorage and supports capable of providing stability for full load applied on the cantilever without relying upon possible live load on the anchor span.

(c) Nonuniform load caused by excess snow, ice or water accumulation at roof level elevation differences, parapets, canopies, valleys and similar areas.

1. The nonuniform snow loading shall be determined by multiplying the indicated roof load by a snow load coefficient (C_s) appropriate for the roof area considered.

$$S = C_s g$$

where S = design snow load, psf

g = roof live load as indicated in the zone map for roof loads [see par. (a)]

C_s = snow load coefficient

Note: Acceptable snow load distribution and coefficients (C_s) for typical roof configurations are given in Appendix A. Additional information can be found in the "Commentary on Snow Loads," in supplement No. 4 to the National Building Code of Canada.

2. The roof load shall be increased to account for the accumulation of drifting snow on the lower of multi-level roofs if the upper roof is part of the same building or of an adjacent building not more than 15 feet away.

(d) 1. Roof designs incorporating storm drain sizes less than those specified in s. ILHR 82.36 (4) and (5), shall be investigated by calculation to determine if stability of the building or structure due to ponding is achieved.

2. When roof drains are needed to remove precipitation and are the sole means of water escape, there shall be placed in all parapet walls, scuppers or relief openings to prevent overloading of the roof.

Note: See Appendix A for further explanatory material.

History: Cr. Register, July, 1974, No. 223, eff. 1-1-75; am. (3) (d) and (4) (a), Register, December, 1974, No. 228, eff. 1-1-75; am. (1) (d) 5 b, Register, December, 1977, No. 264, eff. 1-1-78; r. and recr. (4), Register, January, 1980, No. 289, eff. 2-1-80; am. (1) (d) 5. b. and (e) 5., cr. (1) (e) 7. and (4) (e), r. and recr. (4) (a) 1., Register, December, 1981, No. 312, eff. 1-1-82; cr. (1) (g) 2., (i) 5. and 6., r. and recr. (4) (a) and (b), r. (4) (c), renum. (4) (d) and (e) to be (4) (c) and (d), Register, December, 1983, No. 336, eff. 1-1-84; correction in (4) (d) made under s. 13.93 (2m) (b) 7, Stats., Register, August, 1985, No. 356; am. (4) (a) 2. a. and (b) 3. b., table line g, r. and recr. (4) (a) 2. b., Register, March, 1991, No. 423, eff. 4-1-91.

ILHR 53.12 Wind loads. (1) LOADING. Every building (including all components of the exterior wall) and structure shall be designed to resist a minimum total wind load in accordance with the following table:

Up to 50 feet	20 psf
Over 50 to 100 feet	25 psf
Over 100 to 150 feet	30 psf
Over 150 to 200 feet	35 psf
Over 200 feet	40 psf

The wind pressure shall be taken on the gross area of the vertical projection of the building or structures facing the wind. No allowance shall be made for the shielding effect of other buildings and structures. For purposes of wind load design, the height shall be measured above the average level of the adjoining ground.

(2) **UPLIFT AND SUCTION FORCES.** Buildings and structures, including attachment of roof to building or structure and anchorage of building or structure to the founda-

ILHR 53.12

tion, shall be designed and constructed to withstand a wind pressure acting outward normal to the surface equal to the values set forth in sub. (1). These suction and uplift forces need not be considered as additive to the design wind loads in the overall analysis of the building or structure. Roof overhangs, eaves, cornices, canopies and buildings open on one or more sides shall be designed and constructed to withstand an upward pressure of at least 30 PSF, unless a higher value is indicated in sub. (1).

(3) **OVERTURNING MOMENT.** The overturning moment due to wind load shall not exceed $\frac{2}{3}$ of the moment of stability due to dead load only, unless the building or structure is anchored to foundations of sufficient weight to resist this force. The weight of earth superimposed over footings may be used to calculate the dead load resisting moment. Sufficient diaphragm bracing, diagonal bracing or rigid connections between uprights and horizontal members shall be provided to resist distortions.

(4) **SHAPE FACTORS.** The following shape factors may be used for the design of structures such as chimneys, tanks and solid towers in conjunction with sub. (1).

<i>Horizontal cross-section</i>	<i>Shape factors</i>
square or rectangular	1.0
hexagonal or octagonal	0.8
round or elliptical	0.6

(5) **WIND LOAD ANALYSIS.** More exact wind load analysis will be acceptable if a recognized procedure is used.

Note: The department will accept recognized procedures such as, but not limited to Department of Navy, Bureau of Yards and Docks, NAVFAC DM-2 (Dec. 1967); or "Wind Forces on Structures," by the Structural Division of ASCE Test Committee on Wind Forces (ASCE Transactions, Vol. 126, Part II, Paper No. 3269).

History: Cr. Register, July, 1974, No. 223, eff. 1-1-75; am. (2), Register, December, 1976, No. 252, eff. 1-1-77.

ILHR 53.13 Impact loads. Structural elements carrying live loads which induce impact shall have the live loads increased by the following minimum percentages in the structural design consideration of the forces:

For supports of elevators	100
For traveling crane support girders, monorail supports, and their connections:	
Cab operated cranes	25
Top running pendant operated cranes	10
Underhung and monorail cranes	25
For supports of light machinery	20
For supports of vibrating machinery or power driven units	50
For hangers supporting floors and balconies	33

History: Cr. Register, July, 1974, No. 223, eff. 1-1-75; r. and recr. (1), renun. (2) to be 53.14, Register, December, 1977, No. 264, eff. 1-1-78; am. Register, December, 1983, No. 336, eff. 1-1-84.

ILHR 53.14 Horizontal and longitudinal crane forces. The lateral force on crane runways shall be equal to 20% of the sum of the crane capacity and the crane trolley (but exclusive of other parts of the crane). The force shall be assumed to be applied at the top of the rail, one-half on each side of the runway, and shall be considered acting in either direction normal to the runway rail. The longitudinal force (in the direction of rail) shall be taken as 10% of

the maximum wheel loads of the crane applied at the top of the rail.

History: Cr. Register, July, 1974, No. 223, eff. 1-1-75; renun. from 53.13 (2), Register, December, 1977, No. 264, eff. 1-1-78.

ILHR 53.15 Load combinations. Allowable stresses may be increased 33 $\frac{1}{3}$ % when wind loads are acting in combination with dead, live and impact (if any) loads. The section computed on this basis shall be not less than that required for the design dead, live and impact (if any) loads, computed without the 33 $\frac{1}{3}$ % stress increase. The most severe distribution, concentration and combination of design loads and forces shall be taken into consideration, as specified in s. ILHR 53.11.

Note: See Appendix A for further explanatory material.

History: Cr. Register, July, 1974, No. 233, eff. 1-1-75, am. Register, December, 1975, No. 240, eff. 1-1-76; renun. from 53.14, Register, December, 1977, No. 264, eff. 1-1-78.

ILHR 53.16 Stability. (1) GENERAL. (a) Provisions shall be made to assure stability of the structure as a whole and lateral, torsional and local stability of all structural parts.

(b) Instability, including sway effects or lateral displacement, produced by vertical loads or vertical and lateral loads acting on the structure shall be taken into account in the design of all structures and structural members.

(2) **CALCULATIONS AND TESTING.** (a) Calculations verifying structural stability shall be submitted under s. ILHR 50.12 (4) (a) and (b) when requested.

(b) Bracing systems, for which the strength and stiffness cannot be calculated, shall be substantiated by test reports.

History: Cr. Register, December, 1983, No. 336, eff. 1-1-84.

ILHR 53.17 Interior nonload-bearing walls and partitions. Interior nonload-bearing walls and permanent partitions more than 6 feet in height shall be designed to resist a lateral load of not less than 5 pounds per square foot of wall area. Movable or folding partitions are not required to meet the load criteria but shall be anchored to the supporting structure if their height exceeds 6 feet.

History: Cr. Register, December, 1983, No. 336, eff. 1-1-84.

Subchapter II — Foundations

ILHR 53.20 General. All submittals for plan examination of new buildings or structures, and for the alteration of a permanent structure which requires changes in foundation loads and distribution, shall have the soil types and bearing capacities (indicating verified or presumptive) used in the design of footing and foundations shown on the plans. Sufficient records and data to establish the soil character, nature and load-bearing capacity shall be available to the department upon request.

History: Cr. Register, July, 1974, No. 223, eff. 1-1-75.

ILHR 53.21 Soil bearing capacity. Bearing capacity of soils shall be determined by one of the following methods:

(1) **VERIFIED.** The soil shall be subjected to field or laboratory tests to determine its bearing capacity. A report, certified by a registered architect or registered professional

engineer, shall be available to the department upon request.

(2) **PRESUMPTIVE.** (a) The type of soil under buildings shall be assigned a value not exceeding the bearing capacity, in pounds per square foot, as specified in Table 53-II. The type of soil shall be determined by explorations made at or adjacent to the site. The actual loading of the soil shall not exceed the specified bearing capacity unless verified by a written report as explained in sub. (1).

TABLE 53-II
PRESUMPTIVE SOIL BEARING VALUES

Type of Soil	PSF
1. Wet soft clay; very loose silt; silty clay	Verified method s. ILHR 53.21 (1)
2. Loose fine sand; medium clay; loose sandy clay soils	2,000
3. Stiff clay; firm inorganic silt	3,000
4. Medium (firm) sand; loose sandy gravel; firm sandy clay soils; hard dry clay	4,000
5. Dense sand and gravel; very compact mixture of clay, sand and gravel	6,000
6. Rock	12,000

(b) The presumed soil bearing values shall be confirmed by exploring the type of soil to a depth of at least 5 feet below the footings during or before construction. The designer shall submit a report of confirmation to the department upon request.

(c) Where the bearing materials directly under a foundation overlie a stratum having smaller allowable bearing values, such smaller values shall not be exceeded at the level of such stratum.

History: Cr. Register, July, 1974, No. 223, eff. 1-1-75; am. (2) (b), Register, December, 1976, No. 252, eff. 1-1-77.

ILHR 53.22 Unprepared fill material, organic material. No foundation of buildings or structures shall be placed upon unprepared fill material, organic soil, alluvial soil or mud unless evidence has been presented to the department showing that the proposed load will be adequately supported. This evidence shall be in the form of a written report and shall be based on soil analyses, load tests or other acceptable criteria.

Note: The decomposition of organic material in landfill sites established for the disposal of organic wastes may produce odorous, toxic and explosive concentrations of gas which may seep into buildings through storm sewers and similar underground utilities unless provisions are taken to release the gases to the atmosphere.

History: Cr. Register, July, 1974, No. 223, eff. 1-1-75.

ILHR 53.23 Frost penetration. (1) DEPTH. Footings and foundations shall be placed below the frost penetration level, but in no case less than 42 inches below adjacent ground. Such footings shall not be placed over frozen material.

(2) **FLOATING SLABS AND GRADE BEAMS.** The edges of floating slabs and grade beams need not be installed below the minimum frost penetration provided adequate measures have been taken to prevent frost forces from damaging the structure.

(3) **WALKS, STOOPS AND RAMPS ADJACENT TO REQUIRED EXITS.** The edges of walks, stoops or ramps or the footing and foundation of walks, stoops or ramps need not be installed below the minimum frost penetration line provided

adequate measures have been taken to prevent frost forces from damaging the structure or affecting the structure in such a manner as to obstruct the exit.

Note: Also see s. ILHR 52.21 — location and maintenance of exits.

History: Cr. Register, July, 1974, No. 223, eff. 1-1-75; r. and recr., Register, January, 1980, No. 289, eff. 2-1-80.

ILHR 53.24 Piling. (1) GENERAL REQUIREMENT. Pile foundations shall be designed and installed to adequately transfer the structure loads to underlying or adjacent soil bearing strata.

(2) **INSTALLATION.** Piles shall be handled and installed to the required penetration by methods which leave their strength unimpaired and that develop and retain the required load bearing capacity. Any damaged pile shall be satisfactorily repaired or the pile shall be rejected.

(3) **ALLOWABLE LOADS BASED ON SOIL CONDITIONS. (a) By driving formula.** For individual pile design loads not exceeding 40 tons per pile, the safe working load may be determined by a recognized formula or by the following formula:

$$P = \frac{2WH}{S+1} \text{ for drop hammer}$$

$$P = \frac{2E}{S+0.1} \text{ for double-acting hammer}$$

in which:

P = safe load (lbs.)

W = weight of striking part of hammer (lbs.)

H = fall of striking part of hammer (ft.)

E = manufacturer's rated energy (ft. — lbs.)

S = average penetration of pile under last 6 blows (inches/blow)

(b) *Substantiation of higher allowable loads.* Allowable loads greater than 40 tons will be permitted when substantiating data justifying such higher loads is submitted to the department by a foundation designer knowledgeable in the field of soil mechanics and pile foundations and familiar with the locale of the proposed project. Substantiating data such as test borings, laboratory test results, soil profiles, and pile load tests may be required by the department. The load test shall be in accordance with the procedure outlined in ASTM D-1143.

(c) *Group pile action.* When friction piles are placed in groups, consideration shall be given to the reduction of load per pile.

(d) *Piles in subsiding areas.* Where piles are driven through subsiding fills or other subsiding strata and derive support from underlying firmer material, consideration shall be given to the downward frictional forces which may be imposed on the piles by the subsiding upper strata.

(e) *Lateral support.* Water, air and fluid soils shall not be considered as offering lateral support to piles. In any other type of material the piles may be designed as a short column. Positive permanent lateral support shall be provided at or near the top of all piles.

(4) **ALLOWABLE LOADS BASED ON PILE MATERIAL STRENGTH. (a)** The compressive stress in any cross-section of a pile shall not exceed the normal allowable compressive

ILHR 53.24

stress of the material used for the pile, except as given in sub. (5). The piles may be designed as short columns except as stated in sub. (3) (e).

(b) *End-bearing piles.* For end-bearing piles more than 40 feet in length, it may be assumed that 75% of the load is carried by the tip, except for piles installed in a material referred to in s. ILHR 53.22.

(c) *Friction piles.* For friction piles, the full load shall be computed at the cross section located at two-thirds of the embedded length of the pile measured up from the tip.

(5) **TYPE OF PILES.** (a) *Timber piles.* Timber piles shall conform to National Design Specifications, Part X. In addition, the tops of treated piles, at cutoff, shall be given 3 coats of hot creosote, followed by a coat of coal-tar pitch; and the cutoff shall be encased not less than 4 inches in concrete footing of the foundation.

(b) *Precast concrete piles.* Precast concrete piles shall be cast in one piece and shall attain a compressive strength of not less than 3,000 psi prior to driving. There shall be a minimum concrete covering of 2 inches over all reinforcing bars. Precast concrete piles shall be designed to resist stresses induced by handling, driving and super-imposed loads.

(c) *Cast-in-place concrete piles.* All concrete for cast-in-place piles shall develop a compressive strength of not less than 3,000 psi. Reinforcement shall have a concrete cover of one inch in cased piles and 2 inches in uncased piles.

1. *Uncased piles.* Cast-in-place piles in contact with earth shall be limited in length to 30 times the average diameter of the pile. The allowable compressive stress in concrete shall not exceed 0.33 f'c. The concrete shall be deposited in a shaft free of foreign matter in a continuous operation so as to insure a full sized pile without voids or segregation.

2. *Metal formed piles.* Cast-in-place piles in contact with a steel shell or casing shall have a minimum tip diameter of 8 inches and a minimum average diameter of 10 inches. The shell and casing shall be sufficiently strong to resist collapse and sufficiently watertight to exclude water and foreign material during the placing of concrete. The shell or casing cannot be considered as a load carrying part of the pile. The allowable compressive stress in concrete shall be as stated for uncased piles, but it may be increased to a maximum value of 0.40 f'c if the following conditions are satisfied:

a. The thickness of casing is not less than 0.0747 inches (14 ga AISI).

b. The casing is seamless or is provided with seams of strength equal to that of the casing.

c. The pile diameter is not greater than 18 inches.

(d) *Concrete-filled pipe and tapered tubular piles.* Concrete-filled pipe and tapered tubular piles may be driven open-ended or closed-ended. Pipe or tapered tube piles driven with closed ends shall be treated as a cast-in place concrete pile with metal casing and shall be governed by the same regulations applicable thereto with suitable load-bearing allowance made for the metal casing. When driven open-ended to rock, no concrete shall be deposited until

Register, January, 1994, No. 457

the pipe is cleaned free of all soil or loose rock chips and satisfactory proof furnished of the condition of the rock. The allowable stress in steel is .35 Fy but shall not exceed 12,600 psi. The minimum wall thickness of all load-bearing pipe, tube and shells shall be 1/10 inch. When the soil surrounding the pile contains destructive chemical elements, the pile shall be provided with an approved protective jacket or coating which will not be rendered ineffective by driving.

(e) *Structural steel piles.* No section shall have a nominal thickness of metal less than 3/8 inch. When an H-shaped section is used, the flange projection shall not be more than 14 times the minimum thickness of metal. The steel stress shall not exceed 0.35 Fy.

History: Cr. Register, July, 1974, No. 223, eff. 1-1-75; am. (3) (b) and (5) (a), Register, March, 1991, No. 423, eff. 4-1-91.

ILHR 53.25 Settlement. Where footings or floating slabs are placed upon clays or other materials which are subject to settlement, an analysis for such buildings shall include consideration of total and differential settlements anticipated.

History: Cr. Register, July, 1974, No. 223, eff. 1-1-75.

ILHR 53.26 Protection of adjoining property. (1) Any property owner (owner of an interest in land) making or causing an excavation to be made to a depth of 12 feet or less, below the grade, shall protect the excavation so that the soil of adjoining property will not cave in or settle, but shall not be liable for the expense of underpinning or extending the foundation of buildings on adjoining properties where the excavation is not in excess of 12 feet in depth. Before commencing the excavation the person making or causing the excavation to be made shall notify in writing the owners of adjoining buildings not less than 30 days before such excavation is to be made and that the adjoining buildings should be protected. The owners of the adjoining property shall be given access to the excavation for the purpose of protecting such adjoining buildings.

(a) *Exception.* The 30-day time limit for written notification may be waived if such waiver is signed by the owner of adjoining properties.

(2) Property owners (owners of an interest in land) making or causing an excavation to be made exceeding 12 feet in depth below the grade shall protect the excavation so that the soil of adjoining property will not cave in or settle, and shall extend the foundation of any adjoining buildings below the depth of 12 feet below grade at their own expense. The owner(s) of the adjoining buildings shall extend the foundations of their buildings to a depth of 12 feet below grade at their own expense as provided in the preceding paragraph.

History: Cr. Register, March, 1978, No. 266, eff. 3-1-78.

ILHR 53.27 Cut or fill slopes. Cuts or fills adjacent to any building, structure or property line shall be so constructed or protected that they do not endanger life and/or property. Permanent cut slopes shall not be steeper than 1½ horizontal to one vertical and permanent fill slopes shall not be steeper than 2 horizontal to one vertical unless substantiating data justifying steeper slopes are submitted.

History: Cr. Register, July, 1974, No. 223, eff. 1-1-75; r. (2), renum. (1), Register, January, 1994, No. 457, eff. 2-1-94.

ILHR 53.28 Pole foundations. Structures that use poles embedded in earth or embedded in concrete footings in the earth to resist axial and lateral loads shall have their depth of embedment determined as specified in this section.

(1) CONSTRUCTION BACKFILL REQUIREMENTS. The space around the pole shall be backfilled in accordance with one of the following methods:

(a) The hole shall be made 4 inches larger than the diameter or diagonal dimension of rectangular or square poles. It shall be backfilled with 2,000 psi concrete.

(b) The backfill shall be of thoroughly compacted clean sand.

(2) ALLOWABLE LATERAL SOIL PRESSURE. In the design of nonrestrained and restrained poles, unless a more exact soil analysis method is used, the allowable passive soil pressure shall be determined in accordance with Table 53-III.

TABLE 53-III
ALLOWABLE LATERAL SOIL PRESSURE

Soil Types (see Table 53-II)	Allowable Passive Soil Pressure (p) ¹ psf per foot of depth below grade ^{2,3}
1 and 2 (not well drained)	100
2 (well drained)	150
3 (well drained)	200
4 (well drained)	300
5 and 6 (well drained)	400

1. S₁ and S₃ values shall not exceed 12 times the allowable passive soil pressure (p).

2. Values may be increased 33% for wind loads.

3. Where ½-inch horizontal movement of the pole at ground surface can be tolerated, the values shown in Table 53-III may be increased 100%, provided the individual poles are spaced a minimum distance of 6 times B center to center.

(3) DESIGN-NONRESTRAINED POLES. The following formula shall be used in determining the depth of embedment required to resist lateral loads where no restraint is provided at the ground surface, unless other methods are approved by the department.

$$d = \frac{A}{2} \left(1 + \sqrt{1 + \frac{4.36 h}{A}} \right)$$

where: d = depth of embedment, ft.

$$A = \frac{2.34 P}{S_1 B}$$

P = applied horizontal force on pole, lb.

S₁ = pd/3, see Table 53-III

Note: For first approximation of "d", the following formula may be used:

$$d = \sqrt[3]{\frac{12 h P}{B_p}}$$

B = diameter of concrete casing, ft.; when noncased in concrete, diameter or diagonal dimension of square or rectangular pole, ft.

h = height above the ground, in feet, at which the force "P" is applied. If the pole has fixity at the top, such as provided by a knee brace, the force "P" acts at the inflection point. The inflection point may be assumed at ⅓ of the distance from the ground to the knee brace for round poles, or ½ of the distance from the ground to the knee brace for square poles.

p = allowable lateral passive soil pressure, psf.

Note #2: When a frame analysis is used, h = M/P, where M = bending moment on the pole at the ground surface.

(4) DESIGN — RESTRAINED POLES. Where restraint is provided at the ground surface, such as a rigid floor or pavement, the depth of embedment shall be in accordance with the following formula:

$$d = \sqrt{\frac{4.25 h P}{S_3 B}} \quad \text{where: } S_3 = pd, \text{ see Table 53-III}$$

(5) PRESERVATION. All poles subject to moisture shall be treated with a preservative. Preservative treatment shall be in accordance with AWPA C2 or AWPA C4. All poles treated for preservation shall bear the mark of a quality control certification agency.

History: Cr. Register, July, 1974, No. 223, eff. 1-1-75; am. (2) and (3), cr. (4), Register, December, 1976, No. 252, eff. 1-1-77; renun. (2), (3) and (4) to be (3), (4) and (5), cr. (2), Register, December, 1977, No. 264, eff. 1-1-78; reprinted to correct error in (3), Register, December, 1985, No. 360; r. and recr. (5), Register, March, 1991, No. 423, eff. 4-1-91.

Subchapter III — Masonry

ILHR 53.30 General. (1) SCOPE. The requirements of ss. ILHR 53.30 through 53.36 herein shall apply to the design, construction and materials used in all masonry and similar work under this code.

(2) DEFINITION. Masonry as used herein shall be considered as any built-up construction or combination of building units or materials of clay, shale, concrete, stone, gypsum, glass, metal or other approved units.

(3) DIMENSIONS. Dimensions specified herein are nominal unless otherwise stated. The actual dimensions may vary from the nominal by the thickness of a mortar joint, but not more than one-half inch.

History: Cr. Register, July, 1974, No. 223, eff. 1-1-75.

ILHR 53.31 Materials. (1) GENERAL REQUIREMENTS. Components used in the construction of masonry shall be as required in ss. ILHR 53.311 through 53.316.

(2) LABELING. All packaged materials shall be clearly identified by name (portland cement, masonry cement, lime, gypsum, etc.) and applicable standards which are met.

History: Cr. Register, July, 1974, No. 223, eff. 1-1-75.

ILHR 53.311 Masonry units. (1) GENERAL. (a) Solid and hollow units. A solid masonry unit is a unit whose net cross-sectional area in every plane parallel to the bearing surface is 75% or more of its gross cross-sectional area measured in the same plane. A hollow masonry unit has a net cross-sectional area less than 75% of its gross cross-sectional area.

(b) *Quality.* All masonry units shall be free from cracks, laminations and other defects or deficiencies, including admixtures and coatings, which may interfere with proper laying of the unit or impair the strength or permanence of the structure.

(c) *Used masonry units.* Masonry units may be reused when clean, whole and conforming to requirements for new masonry units.

ILHR 53.311

(d) *Marking requirements.* Masonry units shall be of distinctive design or appearance, or marked so that the manufacturer is identified, as required by the department.

(e) *Surface condition at time of use.* Every masonry unit shall have all surfaces, to which mortar or grout is to be applied, capable of developing the required strength and bond. Coating or facings permitted and applied to masonry unit surfaces prior to their installation shall not supersede this requirement.

(f) *Positioning in structure.* Hollow masonry units shall be laid only in positions as tested for compliance.

(2) **CLAY AND SHALE UNITS.** Clay and shale units shall be made of burned clay or shale or mixtures thereof with or without admixtures.

(a) *Solid units (brick).* Units shall conform to grade SW requirements of ASTM C-62.

(b) *Hollow units (tile and hollow brick).* 1. Load-bearing units. Units for use in load-bearing and exterior walls shall conform to grade LBX requirements of ASTM C-34 or grade SW requirements of ASTM C-652.

2. Nonload-bearing units. Units for use in nonload-bearing partitions shall be specially marked and shall conform to the requirements of ASTM C-56. Such units may also be used for non-structural purposes in concrete floor construction.

3. Units for floor construction. Units for structural use in floor construction shall conform to grade FT 1 requirements of ASTM C-57.

(3) **CONCRETE UNITS.** Concrete units shall be made with portland cement, water and suitable mineral aggregates, with or without admixtures.

(a) *Solid units.* 1. Small units (brick). Units shall conform to grade N requirements of ASTM C-55.

2. Large units (solid block). Units shall conform to grade N requirements of ASTM C-145.

(b) *Hollow units (blocks).* Units shall conform to grade N requirements of ASTM C-90.

(4) **NATURAL STONE.** All natural building stone for use in masonry shall be sound and free from loose or friable inclusions, and shall meet the strength and fire resistance requirements for the proposed use. Where the cleavage plane of stone units is pronounced, the stone shall be laid only on its natural bed. Stone exposed to soil, weather or frost action shall be such that the strength and structure of the stone will not be affected when so exposed.

(5) **CAST STONE.** Units covered under this category are homogeneous or faced, dry cast concrete products other than conventional concrete masonry units (brick or block), but of similar size.

(a) *Composition.* Units shall be made with portland cement, water and suitable mineral aggregates, with or without admixtures, and reinforced if required.

(b) *Standards.* Units shall have a minimum compressive strength of 6500 psi and a maximum water absorption of 6% when tested as 2 x 2 inch cylinders or cubes.

(6) **ARCHITECTURAL PRECAST CONCRETE.** Units covered under this category are homogeneous or faced, wet cast nonload-bearing concrete products. Load-bearing precast concrete units shall conform to the requirements of s. ILHR 53.40.

(a) *Composition.* Units shall be made with portland cement, water and suitable aggregates, with or without admixtures, and reinforced as required.

(b) *Standards.* Units shall conform to the requirements of Table 53-IV.

TABLE 53-IV
ARCHITECTURAL PRECAST CONCRETE PHYSICAL REQUIREMENTS

Use	Compressive Strength† Minimum (psi)		Water Absorption Maximum (%)	Purposefully Entrained Air Minimum (%)
	Avg. of 3	Individual		
Exposed to freeze-thaw cycles (exterior)	4,500	3,800	8	3
All others (interior)	3,500	3,000	10	—

† Compressive strength shall be determined by procedures outlined in ASTM C-39 or C-42.

(7) **GYPNUM UNITS.** Units shall conform to the requirements of ASTM C-52. Gypsum units shall not be used in exterior or load-bearing walls or locations exposed to frequent or continuous wetting.

History: Cr. Register, July, 1974, No. 223, eff. 1-1-75; am. (8), Register, December, 1978, No. 276, eff. 1-1-79; am. (2), (3), table and (7), r. (8), Register, March, 1991, No. 423, eff. 4-1-91.

ILHR 53.312 Mortar. (1) **GENERAL.** Mortar as used herein shall be considered as a mixture containing cementitious

Register, January, 1994, No. 457

materials used to permanently bond masonry or other structural elements.

(2) **MORTAR FOR UNIT MASONRY.** (a) *Composition.* Conventional mortar shall be composed of cementitious materials, fine aggregates and water. Suitable admixtures are allowed.

(b) *Standards.* All materials used as ingredients in mortar when delivered to the mixer shall conform to the requirements outlined below:

1. Cementitious materials. See s. ILHR 53.314.

2. Aggregates. Aggregates shall conform to the following requirements and to the requirements of ASTM C-144.

a. Aggregates shall be graded within the limits of Table 53-V.

TABLE 53-V

Sieve Size	Percentage Passing	
	Natural Sand	Manufactured Sand
No. 4.....	100	100
No. 8.....	95 to 100	95 to 100
No. 16.....	70 to 100	70 to 100
No. 30.....	40 to 75	40 to 75
No. 50.....	10 to 35	20 to 40
No. 100.....	2 to 15	10 to 25
No. 200.....	— —	0 to 10

b. The aggregate shall have not more than 50% retained between any 2 consecutive sieves of those listed in Table 53-V, nor more than 25% between the No. 50 and No. 100 sieves.

c. If the fineness modulus varies by more than 0.20 from the value assumed in selecting proportions for the mortar,

suitable adjustments shall be made in proportions to compensate for the change in grading.

3. Water. See s. ILHR 53.315.

4. Admixtures. Where metal ties, anchors or reinforcement are imbedded in masonry, chloride, nitrate and sulphate base salts or materials containing same shall not be used in masonry construction.

(c) *Requirements.* Mortar for masonry shall conform to the property requirements of Table 53-VI and to the requirements of ASTM C-270 unless otherwise noted in this section. If approved laboratory testing is not conducted to indicate compliance with Table 53-VI, the mortar mix shall be restricted to the provisions of Table 53-VII.

TABLE 53-VI

Mortar Type	MORTAR PROPERTY REQUIREMENTS		
	Compressive Strength† Min. (psi)	Water Retention Min. (%)	Air Content Max. (%)
M.....	2,500	75	18
S.....	1,800	75	18
N.....	750	75	18
O.....	350	75	18

† See s. ILHR 53.35 (3).

TABLE 53-VII

MORTAR PROPORTION RESTRICTIONS

	Cementitious Materials (Proportions by Volume) Mortar Type			Aggregate (Measured in a damp loose condition)
	Portland Cement	Masonry Cement	Lime	
Lime Cement Mortar				
M.....	1	—	¼	Not less than 2¼ and not more than 3 times the sum of the separate volumes of cementitious materials.
S.....	1	—	over ¼ to ½	
N.....	1	—	over ½ to 1¼	
O.....	1	—	over 1¼ to 2¼	
Masonry Cement Mortar				
M.....	1	1	—	
S.....	½	1	—	
N.....	—	1	—	
O.....	—	1	—	

(3) GYPSUM MORTAR. (a) *Standards.* Gypsum mortar shall be composed of one part of unfibred calcined neat gypsum to not more than 3 parts sand by weight, with sufficient water added for workability.

(b) *Use restrictions.* Gypsum mortar shall be used only with gypsum tile and block units or as fireproofing.

(4) MISCELLANEOUS MORTARS. (a) *High bond mortars.* See s. ILHR 50.19 for all such mortars, glues and special additives.

(b) *Special use mortars.* See Table 53-VIII.

(5) BOND. It is required that sufficient bond be developed to hold the masonry assemblage together and let it act as a single unit.

Note: Initial rate of absorption of masonry units and quantity of entrained air in mortar are factors affecting bond strength.

(6) MORTAR USE. Masonry shall be laid in mortar of the types listed in Table 53-VIII.

ILHR 53.312

TABLE 53-VIII
MORTAR USE REQUIREMENTS

Kind of Masonry	Types of Mortar Permitted
Load-bearing or nonload-bearing masonry in contact with earth	M or S
All other load-bearing masonry	M, S or N
Nonload-bearing masonry in exterior and exposed locations where	
a high degree of resistance to frostaction is desired	M, S or N
All other nonload-bearing walls and partitions	M, S, N or O
Fireproofing	M, S, N, O or gypsum
Special masonry:	
Gypsum partition tile or block	Gypsum
Firebrick or tile	Refractory air setting
Stack or chimney walls	Composed of portland cement, hydrated lime putty and aggregate

History: Cr. Register, July, 1974, No. 223, eff. 1-1-75; am. (4) (a), Register, December, 1978, No. 276, eff. 1-1-79; am. (2) (b) 2, intro. and (c), Register, March, 1991, No. 423, eff. 4-1-91.

ILHR 53.313 Masonry grout. Masonry grout for non-engineered masonry shall be type M, S or N mortar, as used in the construction, to which water is added to produce a consistency for pouring without segregation.

Note: Masonry grout for reinforced masonry shall conform to the requirements of ASTM C-476.

History: Cr. Register, July, 1974, No. 223, eff. 1-1-75.

ILHR 53.314 Cementitious materials. (1) PORTLAND CEMENT. Portland cement shall conform to the requirements of ASTM C-150.

(2) MASONRY CEMENT. Masonry cement shall conform to the requirements of ASTM C-91.

(3) HYDRATED LIME. Hydrated lime shall conform to Type S requirements of ASTM C-207.

(4) GYPSUM. Gypsum shall conform to the requirements of ASTM C-22.

History: Cr. Register, July, 1974, No. 223, eff. 1-1-75; am. Register, March, 1991, No. 423, eff. 4-1-91.

ILHR 53.315 Water. Water shall be clean and free from injurious amounts of oil, acid, alkali, salt, organic matter and other deleterious substances.

History: Cr. Register, July, 1974, No. 223, eff. 1-1-75.

ILHR 53.316 Reinforcing, ties and anchors. (1) REINFORCING BARS. Reinforcing bars shall conform to the requirements of ASTM A-165, A-616 and A-617.

(2) CONTINUOUS JOINT REINFORCEMENT. (a) Material. Ties shall be fabricated from the equivalent of cold drawn wire conforming to the requirements of ASTM A-82.

(b) Coating. Ties in exterior walls and potentially wet areas shall have noncorrodible cross wires for the intended use. Conformance with Class 3 requirements of ASTM A-116 is acceptable.

(c) Assembly. Ties shall consist of the equivalent of at least 2 No. 9 steel wire gage longitudinal wires or rods with Register, January, 1994, No. 457

No. 9 steel wire gage cross wires or rods spaced not over 16 inches apart along each longitudinal wire or rod electrically flush or butt welded to tie the outside wires or rods together and provide mechanical bond.

(d) Limitations. Ties shall be of such dimensions that they provide the following:

1. Overlap of at least 6 inches at splices.

2. Engagement of both adjacent wythes; out-to-out spacing of side rods to be approximately 2 inches less than the total wall thickness.

3. Minimum actual cover over all but the cross wires or rods of 5/8 inch clear from all masonry unit faces and their joint surfaces.

(3) INDIVIDUAL TIES AND ANCHORS. (a) Material. Ties and anchors shall be fabricated from steel, brass, bronze or other approved material. See s. ILHR 53.322 (5) (c) 1.b.

(b) Coating. Ties and anchors for use in exterior walls and potentially wet areas shall be noncorrodible for the intended use. Zinc coating (hot dip) conforming to the requirements of ASTM A-153 is acceptable.

(c) Limitations. Ties and anchors shall be of such a dimension as to engage masonry units a minimum of 2 inches on each wythe in which the tie is placed and retain a minimum actual cover of 5/8-inch clear from all exposed masonry faces and joints.

History: Cr. Register, July, 1974, No. 223, eff. 1-1-75; am. (1), (2) (a) and (b), (3) (b), Register, March, 1991, No. 423, eff. 4-1-91.

ILHR 53.32 Design. (1) GENERAL REQUIREMENTS. Design of plain (non-reinforced) masonry shall be based either on the empirical method and limitations of s. ILHR 53.322 or on a detailed engineering analysis according to the provisions of s. ILHR 53.323. Design of reinforced masonry shall be based on the provisions of s. ILHR 53.323.

(2) PRACTICE. All masonry shall be designed with adequate strength and proportions to support all intended superimposed loads, resist all vertical or horizontal loads as required by this code, and comply with the fire-resistive construction requirements set forth in s. ILHR 51.04.

History: Cr. Register, July, 1974, No. 223, eff. 1-1-75.

ILHR 53.321 Types of masonry. (1) VENEER, FURRING AND TRIM. Veneer, furring and trim comprise a facing of weather-resistant non-combustible materials securely attached to a backing, but not so bonded as to exert common action under load. See s. ILHR 53.36 for requirements.

(2) PANEL WALL. A panel wall is composed of weather resisting noncombustible large masonry units, or small masonry units prefabricated into larger assemblages, securely anchored to the framing of the structure.

(3) SINGLE WYTHER WALL. A single wythe wall is one masonry unit in thickness and is built of conventional size masonry units.

(4) MULTI-WYTHER WALL. A multi-wythe wall is composed of 2 or more wythes of conventional size masonry units of the same or different materials all tied or bonded together.

(a) *Grouted wall.* A grouted wall is a multi-wythe wall with all spaces between wythes solidly filled with masonry grout, as defined in s. ILHR 53.313.

(b) *Slushed or parged wall.* A slushed or parged wall is a multi-wythe wall with all spaces between wythes nominally filled with mortar.

(c) *Hollow wall (includes conventional cavity wall).* A hollow wall is a multi-wythe wall with an air space maintained between wythes. A water-repellent or water-resistant insulation may be placed between wythes. The description of a hollow wall is determined by its nominal out-to-out dimension.

(5) **SPECIAL WALLS** (a) *Stack or chimney walls.* See s. ILHR 64.46 and Table 53-VIII for general requirements.

(b) *Special use walls.* See s. ILHR 53.34 for special requirements.

History: Cr. Register, July, 1974, No. 223, eff. 1-1-75.

ILHR 53.322 Empirical method of design. (1) STRESSES. (a) *General.* 1. In determining the stresses in masonry, the

effects of all loads and conditions of loading and the influence of all forces affecting the design and strength of the several parts shall be taken into account.

2. When the effects of eccentricity of vertical loads, including loads produced by the deflection of floor and roof units, are likely to cause tensile stresses in the masonry, the masonry shall be designed in accordance with the requirements of s. ILHR 53.323.

(b) *Allowable stresses.* 1. Compressive stresses. The compressive stresses in masonry shall not exceed the values given in Table 53-IX.

2. Bearing stresses. See s. ILHR 53.34 (3) (b).

3. Composite masonry. In composite masonry with different kinds or grades of units or mortars, the maximum stress shall not exceed the allowable stress for the weakest combination of units and mortar of which the masonry is composed.

TABLE 53-IX
ALLOWABLE COMPRESSIVE STRESSES IN UNIT MASONRY¹

Type of Masonry	Type of Masonry Units	Average Ultimate Compressive Strength of Masonry Unit ² (psi)	Allowable Compressive Stresses on Gross Cross-Sectional Area ³ (psi)			
			Type M Mortar and Grout	Type S Mortar and Grout	Type N Mortar and Grout	Type O Mortar and Grout ⁴
Single wythe and grouted multi-wythe masonry	Rubble stone	140	120	100	80
	Ashlar granite	800	720	640	500
	Ashlar limestone and marble	500	450	400	325
	Ashlar sandstone and cast stone	400	360	320	250
	Solid units except concrete block	10,000 and over	450	400	350	250
	8,000 to 10,000	400	350	300	200
	6,000 to 8,000	300	275	250	175
	4,000 to 6,000	250	225	200	150
	2,500 to 4,000	175	160	140	100
	Solid concrete block	1,800 and over	175	160	140	100
Hollow load-bearing units	1,000 and over	90	80	75	60	
Slushed or parged multi-wythe masonry	All allowable compressive stress values to 20% less than those for equivalent types of single-wythe and grouted multi-wythe masonry.					
Hollow multi-wythe masonry	Solid units except concrete block	2,500 and over	140	130	110	80
	Solid concrete block	1,800 and over	140	130	110	80
	Hollow load-bearing units	1,000 and over	70	60	55	40

1. Where a type of masonry unit, mortar or grout is not provided for in Table 53-IX, it will be the practice of the department to allow a maximum compressive stress in the masonry which is no more than 15% of the ultimate compressive strength of a masonry assemblage as determined by an approved test.

2. No individual masonry unit shall have a compressive strength less than 80% of the average ultimate compressive strength.

3. Stresses shall be calculated on actual dimensions rather than nominal dimensions, with consideration for reductions such as raked joints and cavities.

4. Type O mortar is permitted only in certain nonload-bearing masonry. See Table 53-VIII.

4. Stone flexural members. The maximum allowable flexural stress for natural stone shall be 1/6 of its modulus of rupture.

5. Bolts and anchors. See s. ILHR 53.34 (5).

(2) **THICKNESS AND HEIGHT.** (a) *Height of masonry.* The height of a wall is defined for purposes of limitation as the maximum vertical distance between structural members completely supporting the weight of the wall or between

the upper such support and the top of the wall, whichever is greater.

(b) *Thickness of load-bearing walls.* Except as prescribed in par. (bm), the minimum thickness of load-bearing masonry walls shall be at least 12 inches for the upper 36 feet of their height, and shall be increased 4 inches for the lower 36 feet or fraction thereof. Where a masonry load-bearing wall is made up of 2 or more wythes, the thickness of the wall shall not include any wythe less than 4 inches thick.

ILHR 53.322

(bm) *Exceptions to thickness of load-bearing walls.* 1. Stiffened walls. Where single wythe or grouted multiwythe masonry load-bearing walls composed of units of the same material are laterally supported at distances not greater than 12 feet apart by masonry crosswalls or by reinforced concrete floors, they may be of 12-inch thickness for the whole 72 feet.

2. Top-story walls. Top-story walls may be of 8-inch thickness provided that they are not over 12 feet in height and the roof construction imparts no lateral thrust to the walls.

3. One-story walls. In one-story buildings not exceeding 9 feet in height, the walls may be of 6-inch thickness provided that the roof span does not exceed 18 feet.

4. Penthouses and roof structures. Masonry walls above the main roof level, 12 feet or less in height, enclosing stairways, machinery rooms, shafts or penthouses may be of 8-inch thickness, and may be considered as neither increasing the height nor requiring any increase in the thickness of the masonry below.

5. Walls of apartment buildings. In buildings defined as places of abode not more than 3 stories in height, walls may be of 8-inch thickness when not over 36 feet in height and the roof imparts no horizontal thrust.

6. Walls below grade shall comply with the requirements of par. (e).

7. Metal tied hollow walls. Hollow walls shall not exceed 36 feet in height. The space (cavity) between wythes shall be not more than 4 inches. The backing wythe shall be at least as thick as the facing wythe. When both the facing and backing wythes have a thickness of 4 inches, the height of such hollow walls shall not exceed 24 feet.

8. Masonry bonded hollow walls. Not allowed.

Note: For definition of hollow walls, see s. ILHR 53.321 (4) (c).

9. Rubble stone walls. All rubble stone walls shall be 4 inches thicker than required in (b), but in no case less than 16 inches in thickness. Other exceptions above do not apply to rubble stone walls.

10. Composite walls. Walls containing clay and concrete masonry units shall not exceed 48 feet in height.

(c) *Thickness of exterior nonload-bearing walls and parapets.* Nonload-bearing exterior masonry walls may be 4 inches less in thickness than required for load-bearing walls (including the exceptions under par. (bm)), but the thickness shall not be less than 8 inches except where 6-inch walls are specifically permitted.

(cm) *Exceptions to thickness of exterior nonload-bearing walls and parapets [s. ILHR 53.322 (2) (c)].* 1. Panel walls. Panel walls shall be designed with sufficient strength and thickness and anchored to the structure so as to insure adequate support and resistance to wind or other lateral forces. Panel walls shall not be less than 2 inches in actual thickness and the maximum ratio of height to thickness shall not exceed 30.

2. Parapet walls. Parapet walls shall not exceed 3 times their thickness in clear height.

(d) *Thickness of interior nonload-bearing walls (partitions).* Nonload-bearing interior partitions shall be not less than 4 inches in thickness. Where partitions designed for lateral support at the top are not in tight contact with at least a 2-hour fire-resistive construction at the top, such partitions shall be not more than 24 times their thickness in clear height (see s. ILHR 53.322 (3) (a) 3.).

(e) *Walls below grade.* Foundation walls shall be not less than 8 inches in thickness nor less than the thickness of the wall which they support. When subject to lateral pressure, foundation walls shall have lateral support at the top of the wall as specified in sub. (6). The height of wall and the depth below grade may not exceed the values specified in Table 53-IX A.

Note: The phrase "depth below grade" is intended to mean height of unbalanced fill.

1. For purposes of Table 53-IX A, "solid masonry" means solid units or hollow units with all cells grouted.

2. a. When the wall is laterally supported by vertical elements at intervals not more than 18 times the wall thickness, in addition to support at the top of the wall, the depth below grade may be one foot more than indicated in Table 53-IX A.

b. Pilasters providing lateral support shall have a width not less than 16 inches and shall project from the face of the wall not less than 1/12 the wall height. All cells of hollow units shall be filled with grout.

3. Where the height of wall or depth below grade exceeds the values indicated in Table 53-IX A, or if the wall is not laterally supported at the top, the foundation wall shall be designed in accordance with the provisions of s. ILHR 53.323 for engineered masonry.

4. When a foundation wall contains an opening more than 4 feet in width or contains openings in more than 25% of its length, the design of the wall shall be based upon an engineering analysis.

TABLE 53-IX A
MAXIMUM HEIGHT OF WALL AND DEPTH BELOW GRADE FOR
MASONRY FOUNDATION WALLS ^{1, 2}

Foundation Wall Construction Type of Unit and Nominal Thickness (Inches)	Maximum Wall Height ³ (Feet)	Maximum Depth Below Grade ⁴ (Feet)	
		Granular Backfill with Subsurface Drainage ⁵	Clay or Silt Backfill with Subsurface Drainage ⁵
Hollow Masonry	8	5	4½
	10	6	5½
	12	7	7
Solid Masonry	8	5½	5
	10	6½	6
	12	7	7

1. Where lateral support is provided by vertical elements, see s. ILHR 53.322 (2) (e) 2.

2. The depth below grade and height of wall may exceed the values indicated if the design is based upon an engineering analysis.

3. Clear height between floors providing lateral support.

4. The depth below grade is determined by the height of finished grade above the basement floor or inside grade. Where exterior grade adjacent to the foundation wall is surcharged within a distance equal to the maximum depth permitted, the depth of wall shall be reduced accordingly.

5. Walls shall be provided with subsurface drainage.

(3) LATERAL SUPPORT. (a) *Requirements.* All masonry shall be laterally supported in conformance with the following:

1. Exterior walls. Exterior masonry walls, whether they be load-bearing or nonload-bearing, shall be laterally supported either horizontally or vertically at intervals not exceeding those indicated in Table 53-X.

TABLE 53-X
MAXIMUM RATIO OF LATERALLY UNSUPPORTED HEIGHT OR LENGTH TO THICKNESS FOR ALL
EXTERIOR WALLS

Type of Masonry	Mortar Type			
	M	S	N	O
Single wythe walls of solid units or grouted walls of solid units	22	22	20	18
Slushed or parged walls of solid units	20	20	18	16
Hollow walls† or walls containing hollow units	18	18	16	12

†In computing the ratio for hollow walls, the value for thickness shall be the sum of the nominal thickness of the inner and outer wythes.

2. Load-bearing interior walls. Load-bearing interior walls shall have lateral supports at either vertical or horizontal intervals not exceeding 24 times the wall thickness for solid masonry units and 20 times the wall thickness for hollow masonry units.

3. Nonload-bearing interior walls (partitions). Nonload-bearing partitions shall have lateral supports at either vertical or horizontal intervals not exceeding 30 times the thickness of the wall.

4. Special masonry walls. a. The height of an exterior free standing masonry wall having no lateral support at the top or at the ends may not exceed 4 times the thickness of the wall.

Note: See s. ILHR 53.322 (2) (cm) 2, for parapet walls.

b. The height of a free standing interior wall may not exceed 9 times the thickness of the wall.

(b) *Methods of lateral support.* 1. General. Lateral support shall be provided by cross walls, pilasters or vertical structural members of sufficient strength to provide the required support when the limiting distance is measured horizontally; and/or by floors, roofs or

horizontal structural elements which are of sufficient strength to provide the required support when the limiting distance is measured vertically. Provisions shall be made to transfer all lateral forces to the foundation.

2. Limitations. When horizontal structural elements are depended upon for lateral support, lateral support by vertical elements shall also be provided at intervals of not more than 72 times the wall thickness.

(c) *Pilasters.* A pilaster is a reinforced or nonreinforced masonry section which is thicker than and integrally bonded or mechanically keyed to the adjoining wall by alternate course bonding of masonry or by the use of pilaster blocks. A mechanically keyed control joint will be permitted on only one side of a pilaster which is used to provide lateral support. The projecting portion of the pilaster shall be bonded to the wall portion of the pilaster by lapping at least 50% of the units at the intersection or using special pilaster units.

1. All pilasters relied upon to provide lateral support shall not be less than 4 inches thicker than the wall supported nor less than 1/12 times the pilaster height. The width of pilasters shall be not less than 16 inches.

ILHR 53.322

2. Where a pilaster is needed to carry a concentrated load from a flexural element, the least dimension shall be not less than 1/40 of the span of such an element and the height of the pilaster shall not exceed 12 times the least dimension of the pilaster. All voids, within and between masonry units, shall be fully grouted.

Note: The intent of this rule is to permit the empirical method of design for masonry pilasters carrying concentrated loads provided the pilaster details eliminate the eccentricity and provided the actual stresses are less than or equal to the allowable stresses. Pilasters may also be designed through engineering analysis in accordance with s. ILHR 53.323.

(d) *Piers*. A pier is an isolated column of masonry. A load-bearing wall not bonded at the sides into associated masonry shall be considered a pier when its horizontal dimension measured at right angles to the thickness does not exceed 4 times its thickness.

1. All piers shall have lateral supports so that the vertical distance between such supports does not exceed 10 times their least dimension for single wythe or grouted

masonry walls of solid masonry units, 8 times their least dimension for slushed or parged masonry walls of solid masonry units, and 6 times their least dimension for other masonry.

2. The least dimension of piers carrying flexural members shall be not less than 1/30 of the span of the flexural members.

3. Piers shall be laid in running bond unless reinforced as required for stack bond walls.

(4) *OPENINGS*. Unless evidence is provided to show that openings do not cause lateral stability and stress requirements to be exceeded, the amount of openings in a masonry wall shall not exceed the limits set forth in Table 53-XI.

(5) *BONDING*. (a) *General*. All types of masonry shall be adequately bonded.

**TABLE 53-XI
MAXIMUM RATIO OF Laterally UNSUPPORTED HEIGHT OR LENGTH TO THICKNESS FOR EXTERIOR WALLS WITH OPENINGS†**

Type of Masonry	Percent of Openings at any Horizontal Plane of Wall			
	20	40	60	Over 60
Single wythe walls of solid units or grouted walls of solid units	20	16	12	Submit design calculations
All other masonry	18	14	10	

†The percentage of openings shall be calculated for each 100 lineal feet of wall or portion thereof at any horizontal plane of wall. See Table 53-X for additional restrictions when type "N" or "O" mortar is used.

(b) *Longitudinal bond*. 1. *Running bond*. In each wythe of masonry, not less than 60% of the units in any transverse vertical plane shall lap the ends of units above and below a distance not less than 2 inches or 1/2 the height of the unit, whichever is greater. Masonry not lapped as required above will be considered as stack bond and shall be reinforced longitudinally as required in 2. below for masonry units laid in stack bond.

2. *Stack bond*. In each wythe of masonry with units laid in stack bond, the masonry shall be reinforced by a continuous tie assembly, as defined in s. ILHR 53.316 (2), at vertical intervals not exceeding 16 inches. For interior nonload-bearing partitions this spacing may be increased to 24 inches. (For load-bearing walls, see also s. ILHR 53.34 (3) (b) 4.)

3. *Single wythe exterior concrete masonry walls*. Where units are laid in running bond, such masonry wall shall be reinforced by a continuous tie assembly, as defined in s. ILHR 53.316 (2), at vertical intervals not exceeding 24 inches. The requirement for tie assemblies is waived when the spacing of control joints is reduced to 80% of the values indicated in Table 53-XII, or if the spacing between control joints is 20 feet or less.

(c) *Transverse bond*. In multi-wythe masonry, adjacent wythes shall be bonded with either metal ties or headers in accordance with the following:

1. *Bonding with metal ties*. Adjacent wythes of masonry shall be bonded by embedment of reinforcement in the

horizontal mortar joints with one of the following methods:

a. *Continuous tie assemblies*, as defined in s. ILHR 53.316 (2), spaced at vertical intervals not exceeding 16 inches.

b. *Individual ties*, the equivalent of not less than 3/16 inch diameter steel rods, with one tie for not more than each 4 1/2 square feet of wall area. Ties in alternate courses shall be staggered. The maximum vertical distance shall not exceed 18 inches. The maximum horizontal distance shall not exceed 36 inches. Ties bent to rectangular shape shall be used with hollow masonry units. With solid masonry units, either rectangular ties or ties bent to 90° angles, Z shaped, to provide hooks not less than 2 inches long shall be used. In hollow walls, additional ties shall be provided at all openings, spaced not more than 3 feet apart around the perimeter and within 12 inches of the opening. Corrugated metal ties shall not be used.

2. *Bonding with masonry bond units (headers)*. a. Adjacent wythes of masonry shall be bonded by the equivalent of a full header course overlapping both wythes at least 3 inches and spaced at intervals not greater than every seventh course. The clear distance between bond courses shall not exceed 16 inches for solid units and 24 inches for hollow units. One-seventh of the wall surface shall be header or bond units.

b. In ashlar masonry, bond stones uniformly distributed shall be provided to the extent of not less than 10% of the area of exposed faces.

c. Rubble stone masonry shall have not less than one bond stone for each 6 square feet of wall surface on both sides. Such walls, 24 inches or less in thickness, shall have bond stones with a maximum spacing of 3 feet vertically and 3 feet horizontally.

d. Hollow walls shall not be bonded with headers.

Note: For definition of hollow walls, see s. ILHR 53.321 (4) (c).

3. *Interrupted bond.* Where a structural member interrupts a backing wythe such that transverse bond otherwise required cannot be achieved, the facing wythe shall be bonded to that structural member as in subd. 1.

(d) *Bond at intersections and corners.* Masonry that changes direction, or meets or intersects other masonry, where dependent for lateral support, shall be bonded by one of the following methods:

1. *Walls laid separately.* Provide joints with not less than the following:

a. For load-bearing elements, the equivalent of 1½ inch by ¼ inch anchors with ends turned up not less than 2 inches and not less than 24 inches between turned ends, embedded equally into each adjacent wall and spaced not more than 2 feet vertically. Where there is not sufficient thickness of masonry to embed such anchors properly, equivalent anchorage shall be provided by cross-pins or other means.

b. For nonload-bearing elements, the equivalent of ¾ inch by 22 U.S. gage anchors, 8 inches or more in length, embedded equally into each adjacent wall and spaced not more than 16 inches vertically.

c. When regularly toothed or blocked, the vertical spacing of anchors required above may be doubled.

2. *Walls laid simultaneously.* Provide joints satisfying one of the following:

a. Lap at least 50% of the units at the intersection.

b. Use details which are designed to permit differential movement at the intersection of interior and exterior masonry, provided such details are consistent with the requirements for lateral stability of the masonry.

(6) **ANCHORAGE.** (a) *General.* All masonry dependent upon structural elements for continuity or lateral support except as specified in s. ILHR 53.63 (3) shall be securely anchored thereto in such a manner as to resist all forces, especially wind and all lateral forces acting either inward or outward.

(b) (b) *Load-bearing masonry.* 1. *Floor anchorage.* a. All types of concrete floor systems which bear continuously on

masonry with concrete to masonry contact may be considered to provide adequate lateral support.

b. All other structural elements intended to provide lateral support shall be securely anchored to the masonry.

2. *Roof anchorage.* Roof structures shall be securely anchored to load-bearing masonry with the equivalent of at least ½-inch diameter bolts spaced not more than 6 feet on center and embedded in the masonry according to one of the following methods:

a. A steel plate having a minimum surface area of 6 square inches securely attached to the head of each bolt and completely embedded in the masonry at least 12 inches.

b. A continuous bond beam the equivalent of not less than 8-inch lintel (bond beam) blocks with 2 continuous No. 4 bars embedded in 2,500 psi concrete fill provided at the top of the masonry. The bolts shall be embedded at least 6 inches and hook beneath the longitudinal reinforcement.

(c) *Exterior nonload-bearing masonry.* 1. Anchorage of masonry to the structural framework. Where masonry is dependent upon the structural framework for lateral support or transmission of lateral loads, the masonry shall be anchored to the framework on at least 2 opposite sides of the perimeter of the wall, with the equivalent of a one-inch wide by ½-inch thick anchor for each 18 square feet of wall surface, embedded at least 8 inches into the masonry, and spaced not more than 36 inches on center. Wedging will not be considered as an equivalent method.

2. Anchorage of panel walls suspended from the structural framework. Exterior prefabricated masonry assemblies and other elements, larger than conventional size masonry units shall be anchored to their weight supports with the equivalent of ¾ inch minimum diameter stainless steel bolts or ¾ inch minimum diameter corrosion resistant plated steel bolts.

(d) *Interior nonload-bearing masonry.* Where masonry is dependent upon the structural framework for lateral support, such masonry shall be anchored with the equivalent of a flexible 3/16 inch diameter anchor for each 12 square feet of wall surface, embedded at least 4 inches into the masonry, and spaced not more than 48 inches on center. Wedging may be used to anchor the top of a masonry partition to its top horizontal support.

(7) **JOINTING.** Joints commensurate with lateral stability requirements shall be installed in all exterior masonry to allow for expected growth of clay products and shrinkage of concrete products.

(a) *Vertical jointing.* Vertical control joints shall be provided at a spacing in compliance with Table 53-XII.

ILHR 53.322

TABLE 53-XII
MAXIMUM SPACING OF EXTERIOR MASONRY CONTROL JOINTS
BETWEEN UNRESTRAINED ENDS: (FEET)

Loading Conditions	Type of Material	Openings (Percentage of total wall area)			
		0 to 20		More than 20	
		Joint to Joint	Joint to Corner	Joint to Joint	Joint to Corner
Load-bearing	Clay units	140	70	100	50
	Concrete units	60	30	40	20
Nonload-bearing walls ...	Clay units	100	50	60	40
	Concrete units	50	25	30	20

†Jointing required is a minimum and is not intended to prevent minor cracking. The distances given for maximum spacing of joints are for a single wall plane. For composite walls, the maximum spacing of joints shall be governed by the masonry material type used in the exterior wythe.

Note: To accomplish the intended purpose, joints should be located at critical locations such as (but not limited to) changes in building heights, changes in framing systems, columns built into exterior walls, major wall openings and changes in materials.

(b) *Horizontal jointing.* Where supports such as shelf angles or plates are required to carry the weight of masonry above the foundation level [see ss. ILHR 53.322 (2) (a) and 53.36 (4) (b)], a pressure-relieving joint shall be provided between the structural support and any masonry which occurs below this level. The joint width shall be such as to prevent any load being transmitted from the support to any element directly below. All mortar and rigid materials shall be kept out of this joint. This type of joint shall be provided at all such supports in a concrete frame structure where clay masonry is exposed to the weather.

History: Cr. Register, July, 1974, No. 223, eff. 1-1-75; am. (5) (b) 3 and (6) (c) 1, Register, December, 1974, No. 228, eff. 1-1-75; am. (3) (c) 2 and (5) (b) 3, Register, December, 1976, No. 252, eff. 1-1-77; am. (5)(c) 1.b., Register, January, 1980, No. 289, eff. 2-1-80; am. (6) (a), Register, December, 1981, No. 312, eff. 1-1-82; r. and recr. (2) (bm) 6. and (3) (a) 4., cr. (2) (e), Register, December, 1983, No. 336, eff. 1-1-84; am. (2) (b), Register, March, 1991, No. 423, eff. 4-1-91.

ILHR 53.323 Engineered masonry. (1) **DEFINITION.** Engineered masonry means design of plain or reinforced masonry based on an engineering analysis.

(2) **REQUIREMENTS.** Calculations or other substantiating data to justify a reduction in requirements shall be submitted for all items in conflict with s. ILHR 53.322, 53.33 or 53.34.

Note: It will be the practice of the department to approve designs in conformance with the following: (1) clay and shale units — "Building Code Requirements for Engineered Brick Masonry". Structural Clay Products Institute (now known as Brick Institute of America), 1750 Old Meadow Road, McLean, Virginia 22101 (August 1969); (2) concrete units — "Specifications for the Design and Construction of Load-Bearing Concrete Masonry", National Concrete Masonry Association, P.O. Box 9185, Rosslyn Station, Arlington, Virginia 22209 (1970); (3) cast stone and architectural precast concrete units — "Design of Precast Concrete Wall Panels", Title No. 68-46, *ACI Journal*, July 1971 (also see s. ILHR 53.40); (4) "Building Code Requirements for Masonry Structures", ACI 530/ASCE 5; (5) "Specifications for Masonry Structures", ACI 530.1/ASCE 6; and 6 standards of accepted engineering practice, provided proposed materials are in successful similar use or proven by test to be adequate.

(3) **LIMITATIONS.** Where design by engineering analysis is based upon material of a higher grade or a superior workmanship than is generally provided in accepted practice, it must be clearly established to the satisfaction of the department by test or other evidence that such quality exists. Register, January, 1994, No. 457

ists and will only be employed under special inspection or field testing.

History: Cr. Register, July, 1974, No. 223, eff. 1-1-75.

ILHR 53.33 Construction. (1) **COLD WEATHER WORK.** Adequate cold weather construction and protection provisions shall be taken to prevent masonry from being damaged by freezing.

Note: It will be the practice of the department to accept conformance with "Recommended Practices for Cold Weather Masonry Construction," International Masonry Industry All-Weather Council, 1970. (Available from International Masonry Institute, 823 15th Street NW, Washington, D.C. 20005.)

(2) **LOAD-BEARING MASONRY.** (a) The maximum thickness of a mortar joint shall be ½ inch.

(b) Except for head joints used for weep holes and ventilation, solid masonry units shall be laid so as to achieve full head and bed joints.

(c) Hollow masonry units shall be laid with full head joints and full bed joints under the full bearing areas of the face shells (and under webs where the adjacent cells are to be filled with grout).

(3) **CLEANING.** Chemical cleaning agents shall be prevented from harming the metal reinforcement of structural components.

History: Cr. Register, July, 1974, No. 223, eff. 1-1-75; r. (1) and renun., Register, December, 1974, No. 228, eff. 1-1-75.

ILHR 53.34 Miscellaneous design-construction details. (1) **SPECIAL USE WALLS.** (a) *Hollow walls.* 1. In exterior hollow walls, suitable flashing shall be installed at the bottom of the cavity so as to drain any water outward.

2. Open vertical joints or weep holes of ¾ inch minimum diameter shall be provided in the facing just above the flashing at a horizontal spacing not exceeding 3 feet.

(b) *Retaining walls.* The tops of exposed retaining walls shall be coped with noncombustible weatherproof material.

(c) *Reuse of existing walls.* Existing masonry may be used in the alteration or extension of a structure, provided that under the new conditions imposed it meets the requirements of this code or is made so by reasonable repairs.

Note 1: See s. ILHR 51.02 (12) for requirements of parapet walls.

Note 2: See s. ILHR 53.11 (4) (e) 2. for requirements for scuppers or relief openings.

(2) CHANGES IN THICKNESS OR PLANE. (a) *Nonvertical planes.* Details and techniques for all masonry to be installed in a nonvertical plane shall be submitted to the department for approval.

(b) *Thickness change requirements.* Where hollow walls or walls of hollow masonry units change in thickness, a course of solid masonry, concrete-filled hollow units or a continuous bearing element shall be interposed between the thicker and thinner sections.

(c) *Increase in thickness, including corbels.* The thickness of masonry shall not be increased (in the upward direction), except for corbels as follows:

1. The maximum horizontal projection of a corbel from the face of the wall from which it projects shall not exceed $\frac{1}{2}$ the thickness of the wall.

2. The maximum projection of a masonry unit shall not exceed $\frac{1}{2}$ the height of the unit nor $\frac{1}{2}$ its bed depth.

(d) *Variation in thickness (chases and recesses).* Walls shall not be less than their required thickness between horizontal lateral supports except where permitted for chases and recesses as follows:

1. Chases or recesses shall not be made in load-bearing walls 8 inches or less in thickness. Pipes, ducts, conduits or similar noncombustible items may be installed in cores of hollow units.

2. Chases or recesses shall not be closer than 2 feet to any pilaster, buttress, cross wall, end wall or other stiffener that provides lateral support.

3. The maximum depth of any chase or recess shall not exceed $\frac{1}{2}$ the thickness of the wall.

4. The length along the wall of any chase or recess shall not exceed 4 feet.

5. The clear distance between chases and recesses or each other shall not be less than 4 times the wall thickness.

6. Any chase or recess in conflict with the previous requirements shall be considered as an opening (see s. ILHR 53.34 (3) (a) 4.).

7. No chase or recess shall reduce the thickness of material below the minimum required for fire walls, fire division, fire partitions or fire protective covering of structural members.

(e) *Protection.* In masonry exposed to the weather, pockets or crevices in which water may accumulate shall be avoided or protected to prevent damage.

(3) BEARING. (a) *Weight support of masonry.* 1. General requirements. The bearing support for all masonry shall be of noncombustible material and have lateral stability.

2. Projections. The projection of a wall beyond the edge of a supporting member other than masonry, such as a shelf angle or edge of a beam, shall not exceed $1\frac{1}{4}$ inches, unless at least $\frac{2}{3}$ the mass of the wythe of masonry involved is located directly over the load-carrying member.

3. Shelf angles. See s. ILHR 53.322 (7) (b).

4. Openings. The masonry above openings shall be adequately supported. The bearing length of structural elements which support the masonry above the opening shall be not less than 4 inches. The bearing stresses at these locations shall not exceed those allowed in s. ILHR 53.322 (1).

(b) *Bearing on masonry.* Bearing stresses in masonry shall not exceed those specified in Table 53-IX. Flexural members shall have bearing details that allow rotation at their supports without causing local failures.

1. Concentrated loads. Beams, girders, trusses, joists and other members causing concentrated loads shall bear a minimum of 3 inches in length in the direction of span upon at least one of the following:

a. Concrete beam. The equivalent of a nominally reinforced 2,500 psi concrete beam 8 inches in height.

b. Solid masonry. At least 8 inches in height of masonry composed of solid masonry units with all voids and joints completely filled with mortar.

c. Metal plate. A metal plate of sufficient thickness and size to safely distribute the load to masonry units. For piers and columns, the bearing plate shall not exceed 60% of the cross-sectional area of the pier or column and the resultant reaction of all vertical and horizontal loads shall fall within the middle third of the member.

d. Bond beam. The bond beam shall be the equivalent of not less than 8-inch lintel (bond beam) blocks with 2 No. 4 bars embedded in 2,500 psi concrete fill. The loads shall bear on the concrete fill.

2. Continuous loads. Joists, trusses and beams other than wood [for wood, see s. ILHR 53.63 (4)], spaced 4 feet or less on center and 40 feet in span, slabs or other members causing continuous loads shall be transmitted to masonry with a minimum bearing length of 3 inches upon solid masonry at least $2\frac{1}{2}$ inches in height, or as indicated for concentrated loads.

3. Multi-wythe walls. Ties required for transverse bond shall be installed in the first horizontal mortar joint below the required beam, solid masonry or metal plate.

4. Stack bond walls. Concentrated loads shall be distributed into masonry laid in stack bond by a concrete beam or bond beam (as defined in subd. 1.). For masonry of solid units, 2 additional rows of a continuous tie assembly [as defined in s. ILHR 53.316 (2)] may be used instead of a concrete beam or bond beam.

5. Support of wood floor members. a. Where a wood structural member is buried in masonry for support, it shall be firecut or a self-releasing device shall be used.

b. Where the end of a wood structural member is built into an exterior wall, a $\frac{1}{2}$ -inch air space shall be provided at the sides, top and end of such member.

(4) JOINTING. See s. ILHR 53.322 (7) for jointing.

(5) BOLTS AND ANCHORS. The allowable shear on steel bolts and anchors shall not exceed the values given in Table 53-XIII.

ILHR 53.34

TABLE 53-XIII
ALLOWABLE SHEAR ON BOLTS AND ANCHORS

Bolt or Anchor Diameter (Inches)	Embedment† (inches)	Allowable Shear (Pounds)
¼	4	270
⅜	4	410
½	4	550
⅝	4	750
¾	5	1100
⅞	6	1500
1	7	1850
1½	8	2250

†Bolts and anchors shall be solidly embedded in mortar or grout.

History: Cr. Register, July, 1974, No. 223, eff. 1-1-75; am. (1) (d), Register, December, 1974, No. 228, eff. 1-1-75; am. (3) (b) (intro.) and 1 b, Register, December, 1977, No. 264, eff. 1-1-78; am. (1), Register, December, 1981, No. 312, eff. 1-1-82.

ILHR 53.35 Tests. (1) GENERAL. All masonry materials shall meet the requirements of s. ILHR 53.31, and the department may require submittal of test data, at any time, to show conformity.

(2) SAMPLING AND TESTING. The selection and construction of all test specimens shall conform to standard test procedures and shall be truly representative of the materials, workmanship and details to be normally applied in practice.

(3) STANDARDS. The testing of all masonry shall be in accordance with Table 53-XIV.

(4) SPECIAL TESTS. (a) Fire tests. See s. ILHR 51.04.

(b) Load tests. Whenever there is reasonable doubt as to the stability or structural safety of a completed structure or part thereof, the department may require a load test on the building or portion of the structure in question.

TABLE 53-XIV
STANDARD METHODS OF SAMPLING AND TESTING

Classification	Item	ASTM Test Method Standard
Base Materials	Portland Cement	C 150
	Masonry Cement	C 91
	Hydrated Lime...	C 26, C 50, C 110
	Gypsum	C 471, C 472
Mortar	Aggregate	C 144
	Mortar	C 270 ^a
Masonry Units	Clay and Shale ...	C 67, C 112
	Concrete	C 140
	Natural Stone....	C 97, C 99, C 170, C 666
	Cast Stone	C 42, C 97
	Arch. Precast Concrete	C 39, C 42, C 97, C 457
	Gypsum	C 473
Assemblies		E 72, E 149, E 447

^aMortar in the field, tested in a laboratory, shall test at least 85% of the minimum compressive strength required, and the field mortar will serve as the final basis for mortar approval. When mortar is not proportioned according to limitations of Table 53-VII, mortar shall be periodically tested by an impartial testing laboratory. Results of such required testing shall be submitted as evidence of conformity, when requested by the department.

History: Cr. Register, July, 1974, No. 223, eff. 1-1-75; r. and recr. table, Register, March, 1991, No. 423, eff. 4-1-91.

ILHR 53.36 Veneer, furring and trim. (1) GENERAL. Veneer, furring and trim as used in this section refers to a facing of weather-resistant noncombustible materials see Register, January, 1994, No. 457

curely attached to a backing, but not so bonded as to exert common action under load.

(a) Veneer shall not be considered as part of the masonry when computing strength or required thickness.

(b) Veneer shall not be assumed as supporting any load other than its own weight.

(2) MATERIAL REQUIREMENTS. (a) General. See s. ILHR 53.31 for typical requirements of common masonry materials.

(b) Tile and terra-cotta. Such units shall be frost-proof and not more than 288 square inches in area.

(3) THICKNESS. No materials used for veneer shall have a thickness less than the values listed in Table 53-XV.

(4) BEARING AND BACKING SUPPORTS. (a) Bearing and backing supports shall be weather-resistant and shall provide sufficient strength and stability to adequately support the veneer.

TABLE 53-XV
MINIMUM THICKNESS OF VENEERS

Material	Minimum Actual thickness (Inches)
Clay Brick or Tile	1½
Concrete Masonry Units	1½
Natural Stone	1½
Cast Stone	1½
Architectural Precast Concrete	¾
Marble Slabs	¾
Slate	¾
Architectural Terra-cotta	1
Ceramic Veneer — Mechanical Anchorage	1
Ceramic Veneer — Adhesion Anchorage	3/16
Asbestos Cement Boards	¼
Aluminum Clapboard Siding ..	.024
Metal — Corrosion Resistant	.0149
Stucco and Exterior Plaster ...	¾

(b) Masonry veneer 1½ inches or greater in thickness shall be supported by shelf angles or other equivalent weight supports. The spacing between such supports shall not exceed 18 feet vertically when the veneer is more than 30 feet above grade.

(5) ATTACHMENT. (a) General. All veneers, supports and attachments shall be capable of resisting a horizontal force equal to the wind loads specified in s. ILHR 53.12. Attachment shall be accomplished by mechanical methods or adhesion.

(b) Attachment by mechanical methods. All anchors shall be corrosion-resistant.

1. Veneer of conventional size masonry units (one square foot or less). Such veneer shall be securely attached to its backing by anchors the equivalent of 22 U.S. gage corrugated sheet steel ¾ inch wide with at least one such tie located in every 2 square feet of wall.

2. Veneer of large size masonry units (greater than one square foot). Such veneer shall be securely attached with anchors the equivalent of not less than ¼ inch diameter bolts in accordance with either of the following:

a. Each unit individually anchored to the supporting framework with at least 3 anchors.

b. Individual units doweled to each other at all horizontal joints and anchored to the backing at all horizontal and vertical joints so that one anchor is provided for every 6 square feet of wall surface.

3. Veneer of metal. Exterior metal veneer shall be securely attached to its backing or supporting framework with the equivalent of wire of at least No. 9 steel wire gage spaced not more than 24 inches apart both horizontally and vertically. Wider spacing where proved adequate may be used when units exceed 4 square feet in area, provided there are at least 4 proper attachments per unit.

(c) *Attachment by adhesion.* Veneer one inch or less in thickness may be cemented to a masonry or concrete wall or to exterior portland cement plaster on high rib galvanized metal lath with an adhesive, provided that the bond is sufficient to withstand a shearing stress of 50 psi after curing for 28 days. Individual units so attached shall not exceed 30 inches in any one dimension nor have more than 540 square inches of face area.

(6) **JOINTING.** Pressure-relieving joints commensurate with lateral stability requirements shall be provided both horizontally and vertically where needed to compensate for differential movement between veneer and backing or frame. See also s. ILHR 53.322 (7).

(7) **GROUNDING.** Metal veneers fastened to supporting elements which are not a part of the grounded metal framing of a building shall be effectively grounded.

History: Cr. Register, July, 1974, No. 223, eff. 1-1-75.

Subchapter IV — Concrete

ILHR 53.40 Concrete requirements. The design and construction of structures in concrete of cast-in-place or precast construction shall conform to ACI 318 or ACI 318.1.

History: Cr. Register, July, 1974, No. 223, eff. 1-1-75; am. Register, December, 1981, No. 312, eff. 1-1-82; r. and recr. Register, March, 1991, No. 423, eff. 4-1-91; am. Register, January, 1994, No. 457, eff. 2-1-94.

ILHR 53.41 Gypsum concrete requirements. (1) GENERAL. The design and construction of gypsum concrete shall be in accordance with ASTM C-317 or C-956.

(2) **LIMITATIONS.** Gypsum concrete shall not be used where exposed directly to weather or where subject to wetting. Gypsum concrete shall be protected from freezing or coming in contact with moisture during shipment, storage, erection or pouring.

History: Cr. Register, July, 1974, No. 223, eff. 1-1-75; r. and recr. (1), Register, March, 1991, No. 423, eff. 4-1-91.

Subchapter V — Metals

ILHR 53.50 Structural steel requirements. The design, fabrication and erection of structural steel for buildings and structures shall conform to: AISC, "Specification for Design, Fabrication and Erection of Structural Steel for Buildings," and the provisions of the accompanying commentary for this specification, with the following modifications:

(1) **FABRICATOR SPLICES.** Any shop or field connection or splice not specifically shown on the designer's drawings shall have been previously approved by the designer and a

record shall be kept of this approval. This record shall be submitted to the department when requested.

(2) **LATERAL BRACING MEMBERS.** (a) Individual bracing members providing lateral restraint to columns or to compression flanges of beams and girders or to compression chords of trusses shall be proportioned to resist at least 2% of the compression force in the element braced unless a suitable analysis is made to determine the appropriate strength and stiffness of the bracing member.

(b) An analysis shall be conducted when bracing forces larger than 2% of the compression force are encountered in lateral bracing members, such as angles, channels and zee sections.

Note: These bracing forces may be encountered as a result of the lack of symmetry of the lateral bracing members.

(3) **CERTIFICATION AND IDENTIFICATION.** (a) *Certification.* All structural steel shall have a mill report or a test report made in accordance with ASTM A-6 from the steel supplier; the reports shall include the information on the minimum yield strength and chemistry of the steel furnished. Upon request by the department, the supplier or fabricator shall furnish certified mill reports, test reports, affidavits and/or other information about the steel for the specific project.

(b) *Marking of steel.* Steel used for main components in completed members or assemblies shall be marked. This marking shall be accomplished by color coding or other means of identification as to its type or grade prior to shipment from the mill. The marking shall be continued through the fabricator's plant to the construction site. Steel which conforms to ASTM A-36 designation may be fabricated without marking.

Note: The type and grading may be indicated by the ASTM specification designation or a designation correlated to the information included on the certified mill or test report.

(c) *Acceptable steel types.* Steel of structural quality shall conform to the standards specified in section 1.4.1.1 of the AISC "Specification for the Design, Fabrication and erection of Structural Steel for Buildings" Steel types not listed in the above mentioned section of the AISC may be used if approved by the designer. An approval letter indicating conformance with pars. (a) and (b) shall be sent to the department.

History: Cr. Register, July, 1974, No. 223, eff. 1-1-75; am. (2), Register, December, 1983, No. 336, eff. 1-1-84; am. (intro.) and (3), Register, March, 1991, No. 423, eff. 4-1-91.

ILHR 53.51 Cold formed steel requirements. The design of cold-formed steel for buildings and structures shall conform to the AISI "Specification for the Design of Cold-Formed Steel Structural Members," and the provisions of the accompanying commentary for this specification, with the following modifications:

(1) **FABRICATOR SPLICES.** See s. ILHR 53.50 (1).

(2) **LATERAL BRACING MEMBERS.** See s. ILHR 53.50 (2).

(3) **CERTIFICATION.** See s. ILHR 53.50 (3) (a).

History: Cr. Register, July, 1974, No. 223, eff. 1-1-75; am. (intro.) Register, March, 1991, No. 423, eff. 4-1-91.

ILHR 53.52 Steel joist requirements. The design, fabrication and erection of steel joists shall conform to the

ILHR 53.52

"Standard Specifications, Load Tables, and Weight Tables for Steel Joists and Joist Girders" adopted by the SJI.

History: Cr. Register, July, 1974, No. 223, eff. 1-1-75; am. Register, January, 1980, No. 289, eff. 2-1-80; am. Register, March, 1991, No. 423, eff. 4-1-91.

ILHR 53.53 Structural welding of steel. The requirements of this section shall apply to all welds on or between materials within the scope of ss. ILHR 53.50, 53.51 and 53.52.

(1) BASE METALS. Steels to be welded under this code are listed in AWS D 1.1, sections 8.2 and 10.2 or AWS D 1.3., section 1.2.1.

(2) FILLER METALS. Filler metal requirements that are acceptable under this code are listed in AWS D 1.1 section 4.1 or AWS D 1.3., section 5.

(3) WELDING PROCESSES. (a) Manual shielded metal arc, submerged arc, gas metal arc and flux cored arc welding processes conforming with the procedures established in AWS D 1.1, sections 2, 3 or 4 shall be considered as prequalified and are approved for use without performing procedure qualification tests.

(b) Electroslag and electrogas welding processes will not be considered as prequalified. They may be used provided a procedure is developed and provided it conforms to the applicable provisions of AWS D 1.1, sections 2, 3 or 4.

(4) WELDING PROCEDURES. (a) *Procedure specification.* All welding procedures shall be prepared as a written procedure specification. This written procedure specification shall be prepared by the manufacturer, fabricator or contractor and shall be made available to the department or its designated testing agent prior to commencing a weld test.

(b) *Procedure qualification.* All joint welding procedures shall be previously qualified by tests as prescribed in AWS D 1.1 section 5.6, except for the prequalified procedures exempted in sub. (3) (a). The test shall be conducted by the department or its designated testing agent. The test results of a test conducted by a designated testing agent shall be submitted by the agent to the department for approval.

(5) DESIGN OF WELDED CONNECTIONS AND JOINTS. The details of all joints shall comply with the requirements of AWS D 1.1, section 2 and section 10, parts C and D or AWS D 1.3., section 3. All joint forms, except those specified in AWS D 1.1, section 2 and section 10, parts C and D, shall not be used unless qualified to the satisfaction of the department.

(a) *Stud welding.* Stud welding shall be done by a procedure qualified in accordance with the requirements of AWS D 1.1, section 4, part F.

(6) OPERATOR QUALIFICATIONS. All structural welding work shall be done by certified [as defined in s. ILHR 53.53 (7)] welders. The required qualification test shall be conducted by the department or its designated testing agent. The weld test report of a test conducted by a designated agent shall be submitted by the agent to the department for evaluation. Test specimens shall be submitted when requested by the department.

Register, January, 1994, No. 457

(a) The manual welders shall be tested and qualified in accordance with AWS D 1.1, section 5, part C or AWS D 1.3., section 6.

(b) The manual tackers shall be tested and qualified in accordance with AWS D 1.1, section 5, part E.

(c) The welding machine operator shall be tested and qualified in accordance with AWS D 1.1, section 5, part D.

(7) OPERATOR CERTIFICATION. The department will issue to the welder or welding machine operator who has successfully passed the prescribed qualification tests, a certificate bearing the name, social security number, identifying mark, the process, the procedure specification number and other pertinent information from the qualification test. This certificate will remain in effect for 3 years provided the operator is continuously engaged in welding operations without an interruption of more than 3 consecutive months. If the interruption exceeds 3 consecutive months, the certificate shall automatically become void.

(a) Each manual welder and tacker or welding machine operator shall be retested every 3 years in accordance with sub. (6).

(b) Each manual welder and tacker or welding machine operator certificate which has become void due to welding operation interruption exceeding 3 consecutive months or having exceeded the 3-year certificate time limit can be renewed only by retesting at a designated testing agent approved by the department.

(c) The department shall issue the operator certification within 15 business days of the time the welder successfully passes the prescribed qualification test.

(8) WELD IDENTIFICATION. Each structurally significant member shall have its welding identified by a distinguishing mark stamped on the member by the certified welders involved.

(9) CRITERION OF FINAL ACCEPTANCE. All structural welding is subject to examination by approved inspectors and such inspection shall be the final criterion for conformance and acceptability for the intended use.

(10) STRUCTURAL WELDING DONE OUTSIDE THIS STATE. All welding shall conform with the requirements of s. ILHR 53.53 except the requirements of sub. (7). In lieu of operator certification, manufacturers and suppliers of structural steel shall, prior to commencing any welded construction, submit evidence of procedure qualification, if not prequalified, and welder certification that has been approved by an independent testing laboratory which is acceptable to the department. Manufacturers and suppliers are required to keep the welder certification current.

Note: The welder certification requirement may be submitted and kept current by having the approved testing laboratory submit a list of certified welders to the department. The submittal may be a part of the materials approval information submitted for s. ILHR 50.19 or may be submitted separately for the manufacturers not having a materials approval.

History: Cr. Register, July, 1974, No. 223, eff. 1-1-75; am. (10), Register, December, 1977, No. 264, eff. 1-1-78; am (5) and (6) (a), (b) and (c), Register, January, 1980, No. 289, eff. 2-1-80; cr. (7) (c), Register, January, 1985, No. 349, eff. 2-1-85; am. (1) to (6) Register, March, 1991, No. 423, eff. 4-1-91; am. (7) (b), Register, January, 1994, No. 457, eff. 2-1-94; correction in (7) (intro.) made under s. 13.93 (2m) (b) 5, Stats, Register, January, 1994, No. 457.

ILHR 53.54 Aluminum framing requirements. The design, fabrication and erection of aluminum structural framing members shall conform to "Specifications for Aluminum Structures", published by The Aluminum Association.

History: Cr. Register, July, 1974, No. 223, eff. 1-1-75; am. Register, March, 1991, No. 423, eff. 4-1-91.

ILHR 53.55 Stainless steel requirements. The design, fabrication and erection of light gage stainless steel framing members shall conform to AISI, "Stainless Steel Cold-Formed Structural Design Manual."

History: Cr. Register, July, 1974, No. 223, eff. 1-1-75; am. Register, January, 1980, No. 289, eff. 2-1-80; am. Register, March, 1991, No. 423, eff. 4-1-91.

ILHR 53.56 Steel cable requirements. The design, fabrication and erection of steel cables for buildings shall conform to AISI "Manual for Structural Applications of Steel Cables for Buildings."

History: Cr. Register, January, 1980, No. 289, eff. 2-1-80; am. Register, March, 1991, No. 423, eff. 4-1-91.

Subchapter VI — Wood and Wood Fiber Products

ILHR 53.60 General. (1) SCOPE. The requirements of ss. ILHR 53.60 to 53.63, inclusive, shall apply to the materials, design, and construction procedures used in all wood and wood fiber products construction work under this code.

(2) DEFINITION. Wood and wood fiber products include those structural elements derived from solid wood, structural glued-laminated timber, plywood, fiberboard, hardboard and other wood-fiber-based materials.

History: Cr. Register, July 1974, No. 223, eff. 1-1-75.

ILHR 53.61 Materials and design of structural elements. (1) SAWN LUMBER. The material characteristics and the design provisions of load-bearing structural sawn lumber shall be in accordance with the following adopted standard and listed exceptions:

(a) "National Design Specification for Wood Construction" and its supplement.

1. Exceptions: a. Section 4.1.7. The provisions of this section shall also apply to reused lumber. Reused lumber shall be considered to have a duration of load factor of 0.90.

b. Section 4.2.2. In addition to requiring grading in conformance with ASTM D 245, lumber (including reused lumber) of species and grades not listed in the supplement to the NDS shall be identified by the grade mark of, or certificate of inspection issued by, a lumber grading or inspection bureau or agency recognized as being competent.

c. Section 2.2.5.3. The cumulative effects of short-time loads, such as wind, shall be considered in determining duration of load. For wind load, a duration of load factor no greater than 1.6 may be used.

(2) STRUCTURAL GLUED-LAMINATED TIMBER. Structural glued-laminated timber is an engineered, stress-rated product of a timber laminating plant comprising assem-

blies of specially selected and prepared wood laminations securely bonded together with adhesives. The grain of all laminations is approximately parallel longitudinally. The following standards are adopted as part of this building code for the design and production of structural glued-laminated timber, except that the modification of design stresses for duration of load shall be as specified in sub. (1) (a) 1.c.

(a) AITC 117, "Standard Specifications for Structural Glued-Laminated Timber of Softwood Species."

(b) AITC 119, "Standard Specifications for Hardwood Glued-Laminated Timber."

(3) ROUND POLES. Allowable unit stresses for nongraded round poles used as structural members other than piling shall be 80% of the allowable unit stresses for select structural grade beams and stringers (19% moisture content) of the appropriate species as listed in the supplement to the National Design Specification for Wood Construction. No obviously unsound load-bearing poles are to be used. Higher allowable stresses will be permitted for round poles graded in accordance with a recognized standard.

Note: ASTM designation D 3200-73 "Standard Specification and Methods for Establishing Recommended Design Stresses for Round Timber Construction Poles" is acceptable for graded round poles. ANSI Standard 05.1 may be used for poles subject to transverse loads only.

(4) PILING. See s. ILHR 53.24.

(5) PLYWOOD. (a) The quality and design of all plywood used in construction of all buildings and structures shall conform to the minimum standards under this section. All plywood when used structurally, including among others, use for siding, roof and wall sheathing, subflooring, diaphragms, and built-up members, shall conform to the performance standards for its type in U.S. Product Standard PS 1 for softwood plywood/construction and industrial. Each panel or member shall be identified for grade and glue type by the trademarks of an approved testing and grading agency. In addition, all plywood when permanently exposed in outdoor applications shall be of exterior type.

Note: It will be the policy of the department to approve designs in conformance with the following: (1) "Plywood Design Specification" including Supplement No. 1 "Design of Plywood Curved Panels"; Supplement No. 2 "Design of Plywood Beams"; Supplement No. 3, "Design of Flat Plywood Stressed-Skin Panels"; and Supplement No. 4 "Design of Flat Plywood Sandwich Panels"; (2) "Plywood Diaphragm Construction"; (3) Laboratory Report 121, "Plywood Folded Plate Design and Details"; (4) Laboratory Report 93, "Load-Bearing Plywood Sandwich Panels"; and (5) "Fabrication Specifications Plywood-Lumber Components: CP-8, BB-8, SS-8, SP-61, FF-62, PW-61" (above publications available from the American Plywood Association, 1119 A Street, Tacoma, Washington 98401); (6) Design Guide HP-SG-71, "Structural Design Guide for Hardwood Plywood" (available from the Hardwood Plywood Manufacturers Association, 2310 South Walter Reed Drive, Arlington, Virginia 22206).

(b) No part of any of the above referenced standards shall supersede the general live load requirements of s. ILHR 53.11.

(7) SOLID WOOD FLOOR AND ROOF SHEATHING. Minimum thickness of nonstress rated lumber used for floor and roof sheathing shall be in accordance with Table 53-XVI.

**TABLE 53-XVI
MINIMUM NET THICKNESS OF LUMBER PLACED (INCHES)**

Use	Span (Inches)	Perpendicular to Support		Diagonal to Support	
		Surfaced Dry†	Surfaced Unseasoned	Surfaced Dry†	Surfaced Unseasoned
Floors	24	3/4	25/32	3/4	25/32
	16	5/8	11/16	5/8	11/16
Roofs	24	5/8	11/16	3/4	25/32

†Maximum 19% moisture content.

(a) The above dimensions shall be the minimum dimensions for lumber with grades as specified in Table 53-XVII.

**TABLE 53-XVII
MINIMUM BOARD GRADES†**

Grading Agency	Solid Floor or Roof Sheathing	Spaced Roof Sheathing
West Coast Lumber Inspection Bureau	Utility	Standard
Western Wood Products Association	4 Common or Utility	3 Common or Standard
Southern Pine Inspection Bureau	No. 3	No. 2
Redwood Inspection Service	Merchantable	Construction, common
National Lumber Grades Authority	4 Common or Utility	3 Common or Standard
Northern Hardwood and Pine Manufacturers Association	4 Common	3 Common
Northeastern Lumber Manufacturers Association	4 Common	3 Common

†The above grades are taken from grading rules approved by the American Lumber Standards Committee.

(8) TIMBER FASTENERS. The design and use of timber fasteners shall be in accordance with the requirements of National Design Specification for Wood Construction.

(a) *Fastener identification.* Light gauge perforated metal plate connectors shall be permanently identifiable with regard to their gauge and manufacturer.

(9) WOOD FOUNDATIONS AND WALLS BELOW GRADE. (a) *Design.* 1. The design of wood foundations and walls below grade shall be in accordance with the following adopted standard and subd. 2: "All-Weather Wood Foundation System, Basic Requirements," Technical Report No. 7.

2. Exceptions: a. Section 3.3.1. Fasteners for use in preservative treated wood shall meet the requirements of this article. Fasteners of silicon bronze or copper or stainless steel types 304 or 316, as defined by the American Iron and Steel Institute classification, shall be permitted in preservative treated wood above or below grade. Fasteners or fastener materials not otherwise permitted under this article shall be permitted if adequate comparative tests for durability, including the effects associated with wood treating chemicals, demonstrate performance equal to or greater than the specified fasteners or fastener materials.

(b) *Materials.* All lumber and plywood shall be treated in accordance with the following adopted standard and shall be identified as to conformance with such standard by an approved inspection agency:

1. AWPB FND.

Note: See s. ILHR 53.64 concerning wood foundations.

History: Cr. Register, July, 1974, No. 223, eff. 1-1-75; am. (2) Register, December, 1974, No. 228, eff. 1-1-75; r. and recr. (2), Register, April, 1975, No. 232, eff. 5-1-75; am. (1) (a), (3) and (8) (intro.), cr. (9), Register, December, 1978, No. 276, eff. 1-1-79; am. (1) (a) 1.c., Register, February, 1979, No. 278, eff. 3-1-79; am. (1)(a) 1.a., Register, January, 1980, No. 289, eff. 2-1-

Register, April, 1980, No. 292; am. (2), Register, December, 1981, No. 312, eff. 1-1-82; am. (9) (a) (intro.), renum. (9) (a) 1.a. to be (9) (a) 2., r. (9) (a) 1.b., Register, December, 1983, No. 336, eff. 1-1-84; am. (1) (a) (intro.), 1. b., (2) (a) and (b), (3), (5) (a), (8) (intro.), (9) (a) 1. and (b) 1., r. and recr. (1) (a) 1. c., r. (6), Register, March, 1991, No. 423, eff. 4-1-91; am. (1) (a) 1. c., Register, January, 1994, No. 457, eff. 2-1-94.

ILHR 53.62 Special systems. (1) WOOD TRUSSES. Wood trusses shall be constructed in accordance with the following recommended standard and the listed exceptions:

(a) TPI-85.

1. Exceptions and additions:

a. Section 302.2. Moment coefficients used in the design of top chord members shall be based on the assumption of no fixity at member ends or joints due to plate connectors. Moment and buckling factors as indicated in section 3.2 of TPI-85 are acceptable.

b. Metal plate connectors shall be identifiable as stated in s. ILHR 53.61 (8) (a).

c. The modification of design stresses for duration of load shall be as specified in s. ILHR 53.61 (1) (a) 1. c.

(b) For trusses with nail-glued plywood gusset plates, calculations and design reference source shall be submitted to the department.

(c) Mechanically fastened trusses shall conform to section 8.4, "Timber Connector Joints," of National Design Specification.

History: Cr. Register, July, 1974, No. 223, eff. 1-1-75; cr. (1) (a) 1.c., Register, December, 1974, No. 228, eff. 1-1-75; am. (1) (c), Register, December, 1978, No. 276, eff. 1-1-79; am. (1), Register, February, 1979, No. 278, eff. 3-1-79; am. (1)(a) 1.a., Register, January, 1980, No. 289, eff. 2-1-

80; r. and rec. (1) (a) (intro.), am. (1) (a) 1. a. and (c), Register, March, 1991, No. 423, eff. 4-1-91.

ILHR 53.63 Minimum construction requirements. The requirements of this section shall apply to all wood framing.

Note: Recognized wood framing and construction details indicated in "Wood Construction Data No. 1 and No. 5" of the National Forest Products Association, Technical Services Division (1619 Massachusetts Ave. NW, Washington, D.C. 20036) is recommended as good design and construction practice.

(1) FIRE STOPS. Fire stops shall be provided at all intersections of interior and exterior walls with floors, ceilings and roof in such manner as to effectively cut off communication by fire through hollow concealed spaces and prevent both vertical and horizontal drafts.

(a) Furred walls shall have fire stops placed immediately above and below the junction of any floor construction with the walls, or shall be fire-stopped the full depth of the joist.

(b) All spaces between chimney and wood framing shall be solidly filled with noncombustible material at floor levels.

(c) All concealed spaces between stair stringers at the top and bottom of the stair run shall be firestopped.

(d) All wood fire stops as required in this section shall be lumber not less than 2 inches in nominal thickness, or ¾ inch thick plywood with joints backed, and not less in width than the enclosed space within the partition except as provided for chimneys. Fire stops may also be of ½ inch gypsum board, fiberglass or other noncombustible materials, securely fastened in place.

(2) DRAFTSTOPPING. (a) Where a ceiling is suspended below solid wood floor joists, or either suspended or attached directly to the bottom of open web floor trusses, the space between the ceiling and the floor above shall be divided by draftstopping into areas, whichever is the least, as follows:

1. At rental tenant separation walls, if the walls do not extend above to the floor sheathing;
2. At living unit separation walls; if the walls do not extend above to the floor sheathing; or
3. Into areas not exceeding 1,000 square feet.

(b) Draftstopping as required in this subsection shall be at least ½ inch gypsum board, 3/8 inch plywood or other equivalent materials which are adequately supported.

(3) WOOD FRAMING INTO FIRE-RATED MASONRY WALLS. See s. ILHR 51.045 (1) (m).

(4) FIRE-CUTTING. Wood members supported in masonry walls shall have the ends of such members splayed or firecut to allow free end rotation in the vertical plane of the member, out of the masonry wall. See also s. ILHR 53.34 (3) (b) 5.b.

(5) BEARING. (a) *Joists and trusses.* The ends of each joist or truss shall have not less than 1½-inch length of bearing on wood or metal nor less than 3-inch length on hollow or solid masonry units.

(b) *Beams and girders.* The ends of beams or girders supported on masonry or concrete shall have not less than 4-inch length of bearing. See also s. ILHR 53.34 (3).

(6) NOTCHING AND DRILLING. No notching of outer fibers of structural members is permitted unless substantiated by design calculations. Circular holes bored in joists and studs that are within the middle one-third of the depth of joist or studs are permitted without design calculations.

(7) DECAY PREVENTION. Where wood is used in parts of a building exposed to moisture that causes the moisture content of wood to exceed 19%, the wood shall be adequately ventilated or treated with preservative. All lumber and plywood required to be treated with a preservative shall be identified by a quality mark or certificate of inspection of an approved inspection agency which maintains continued supervision, testing and inspection over the quality of the product in accordance with the adopted standards of the American Wood Preservers Bureau.

(a) All wood columns, posts and frame legs whose base is subject to deterioration due to moisture shall bear on concrete or other inorganic materials which extend at least 3 inches above the adjacent surface unless treated with preservative.

(b) The ends of wood structural members built into exterior masonry walls or into concrete shall be treated with preservative or a moisture-proof barrier shall be installed on the bearing surface.

Note: In areas subject to termite attack, refer to "Design of Wood Structures for Permanence" (published by the National Forest Products Association, 1619 Massachusetts Ave. NW, Washington, D.C. 20036) as suggested by National Design Specifications, Appendix F, section B.2.

(8) TRUSS BRACING AND ANCHORAGE. All wood trusses shall be securely fastened to the supports and each truss shall be secured in position in accordance with National Design Specification, Appendix A, section A.10.

(9) ANCHORAGE. Anchorage shall be in accordance with s. ILHR 53.12 (2).

(10) CROSS BRIDGING. Cross bridging shall be furnished in accordance with section 4.4.1 of NDS. When joists support floor or roof decks other than wood or wood decks which are not adequately attached, cross bridging shall be provided at 8-foot intervals.

(11) SOLID BLOCKING. All floor and roof joists shall be supported laterally at the ends and at each support by solid blocking or other approved methods. Solid blocking shall be not less than 2 inches in nominal thickness and the full depth of the joist.

(12) JOIST SUPPORT. Floor or roof joists shall not be toe nailed into the side of beams and girders for support. Such joists shall be supported by joist hangers, ledgers or metal plate connectors of adequate structural capacity.

(13) STUD WALLS. Unless evidence is provided to indicate otherwise, the maximum spacing and height of studs shall be in accordance with Table 53-XVIII. Notching and drilling of studs shall conform to sub. (5). Where load-bearing studs are spaced at 24-inch intervals, the roof trusses, rafters, and joists shall be centered over the studs or, in lieu thereof, solid blocking equal in size to the studs shall be installed to reinforce the double plate above.

(14) MINIMUM RECOMMENDED NAILING SCHEDULE. Unless evidence of design for the connection is provided, the connection shall have a minimum nailing in accordance with Table 53-XIX or its equivalent.

ILHR 53.63

TABLE 53-XVIII

MAXIMUM SPACING AND HEIGHT OF STUDS

Size	Grade Referring to Fb and Fc	Height (Feet)	(Spacing Inches)	
			Exterior or Load-Bearing	Interior & Non- Load-Bearing
2 by 4 or larger	Utility	8	16	24
2 by 3	Standard and better	8	16	16
2 by 4 — 3 by 4	Standard and better	12	16	24
2 by 6 or larger	Standard and better	18	24	24

TABLE 53-XIX

MINIMUM RECOMMENDED NAILING SCHEDULE

Connection	Nailing (using common nails)
Joist to sill or girder, toe nail	3-8d
Bridging to joist, toe nail each end	2-8d
Ledger strip	3-16d at each joist
1" x 6" subfloor or less to each joist, face nail	2-8d
Over 1" x 6" subfloor to each joist, face nail	3-8d
2" subfloor to joist or girder, blind and face nail	2-16d
Sole plate to joist or blocking, face nail	16d at 16" oc
Top plate to stud, end nail	2-16d
Stud to sole plate, toe nail	4-8d
Doubled studs, face nail	16d at 24" oc
Doubled top plates, face nail	16d at 16" oc
Top plates, laps and intersections, face nail	2-16d
Continuous header, two pieces	16d at 16" oc along each edge
Ceiling joists to plate, toe nail	3-8d
Continuous header to stud, toe nail	4-8d
Ceiling joists, laps over partitions, face nail	3-16d
Ceiling joists to parallel rafters, face nail	3-16d
Rafter to plate, toe nail	3-8d
One-inch brace to each stud and plate, face nail	2-8d
1" x 8" sheathing or less to each bearing, face nail	2-8d
Over 1" x 8" sheathing to each bearing, face nail	3-8d
Built-up corner studs	16d at 24" oc
Built-up girders and beams	20d at 32" oc along each edge

History: Cr. Register, July, 1974, No. 223, eff. 1-1-75; am. (6) (intro.), Register, December, 1976, No. 252, eff. 1-1-77; am. (7) and (9), Register, March, 1979, No. 278, eff. 3-1-79; am. (1) and (6) (intro.), Register, December, 1981, No. 312, eff. 1-1-82; am. (10), Register, August, 1985, No. 356, eff. 1-1-86; am. (1) (d), renum. (2) to (13) to be (3) to (14) and am. (8) and (10), cr. (2), Register, March, 1991, 423, eff. 4-1-91; am. (1) (d), Register, January, 1994, No. 457, eff. 2-1-94.

ILHR 53.64 Wood foundations. Foundations may be constructed of treated wood when the design is based upon the soil bearing values contained in s. ILHR 53.21 and the Register, January, 1994, No. 457

structural design is in accordance with the standards listed in s. ILHR 53.61. All pressure-treated wood and plywood shall be treated and identified in accordance with adopted standards of the American Wood Preservers Bureau.

Note: See Appendix A for further explanatory material.

History: Cr. Register, December, 1978, No. 276, eff. 1-1-79; am., Register, December, 1981, No. 312, eff. 1-1-82; am. Register, March, 1991, No. 423, eff. 4-1-91.

Chapter ILHR 54

FACTORIES, OFFICE AND MERCANTILE BUILDINGS

ILHR 54.001	Scope	ILHR 54.11	Lighting
ILHR 54.01	Construction, height and allowable area	ILHR 54.12	Sanitary facilities
ILHR 54.02	Number and location of exits	ILHR 54.13	Change rooms and lunchrooms
ILHR 54.03	Type of exits	ILHR 54.14	Isolation of hazards
ILHR 54.04	Required exit width	ILHR 54.145	Occupancy separation
ILHR 54.05	Capacity of buildings	ILHR 54.15	Fire protection systems
ILHR 54.06	Exit doors	ILHR 54.17	Fire alarms
ILHR 54.07	Exit access	ILHR 54.18	Floor load signs
ILHR 54.08	Enclosure of stairways and shafts	ILHR 54.19	Signs indicating number of persons
ILHR 54.10	Trap doors and floor openings	ILHR 54.20	No smoking signs
ILHR 54.105	Toeboards	ILHR 54.21	Tents

Note: Chapter Ind 54 was renumbered to be chapter ILHR 54 effective January 1, 1984.

ILHR 54.001 Scope. This classification includes all factories and workshops (including all places where manual labor is employed), office buildings, telegraph and telephone offices, mercantile establishments where commodities are bought or sold, clothes cleaning establishments, warehouses, railroad stations, exhibition buildings, public mausoleums, crematoriums, and places where not more than 100 persons assemble for recreation, entertainment, worship, or dining purposes.

Note 1: See ch. ILHR 7 for other provisions relating to setbacks and construction for a magazine within which explosives are stored.

Note 2: The department of health and social services may require additional provisions for the federal certification of ambulatory surgical offices and clinics which receive federal funding.

History: 1-2-56; am. Register, December, 1981, No. 312, eff. 1-1-82; am. Register, March, 1992, No. 435, eff. 4-1-92; am. Register, December, 1993, No. 456, eff. 1-1-94.

ILHR 54.01 Construction, height and allowable area. (1) GENERAL. Buildings and structures within the scope of this chapter may not exceed the height and area limitations specified in this section.

Note: See s. ILHR 51.03 for standards of classes of construction.

(2) LIMITED AREA CH. ILHR 54 BUILDINGS. (a) Chapter ILHR 54 buildings not protected by complete automatic fire sprinkler protection may not exceed the height and area limitations specified in Table 54.01-1.

(b) Chapter ILHR 54 buildings protected by complete automatic fire sprinkler systems may not exceed the height and area limitations specified in Table 54.01-2.

(c) Freezer warehouses complying with the requirements of s. ILHR 51.06 (6) (a) 3. b. may be designed and constructed with the allowable floor area as specified in par. (b) and with the allowable increase in exit distance as specified in s. ILHR 54.02 (4) (b) without being protected by a complete automatic fire sprinkler system.

(3) FIRE DIVISION WALL SEPARATION. (a) No building shall be limited in area when divided into sections which do not exceed the maximum areas tabulated in this section by fire division walls specified in s. ILHR 51.02 (13).

(b) All openings in such walls shall be protected by fire-resistive door assemblies as specified in s. ILHR 51.047.

1. Except as provided in subd. 2, doors protecting such openings may be left open if equipped with an automatic closing device activated by products of combustion other than heat.

2. a. The automatic closing device may be installed to prevent accidental closing of the fire door in the event of a power outage to the building if it is installed with an approved or listed backup mechanism in addition to the smoke detection release device.

b. The automatic closing device on doors located in smoke- or contaminant-filled environments, such as but not limited to foundries, chemical plants and similar environments, may be activated by rate-of-rise heat detectors.

3. Doors used as required exits shall be standard exit doors and shall comply with the requirements of s. ILHR 51.19 (2).

(4) UNLIMITED AREAS. (a) The area of buildings completely protected by an automatic fire sprinkler system may be unlimited provided the following conditions are satisfied:

1. The maximum number of stories is limited as follows:

a. Type No. 2 construction — 9 stories;

b. Type No. 3 construction — 5 stories;

c. Type No. 4 and 5A construction — 3 stories; and

d. Type No. 5B and 6 construction — 2 stories involving not more than 4 floor levels.

2. Street access is provided as specified in sub. (5) (b).

(b) There shall be no area restriction in one-story buildings where the following conditions are satisfied:

1. Construction of all building elements listed in Table 51.03-A are of noncombustible materials. Built-up roof coverings may not be used;

2. a. The contents of the building are noncombustible;

b. Stored materials are not packed or crated in combustible materials; and

ILHR 54.01

3. Street access is provided as specified in sub. (5) (b).

TABLE 54.01-1 — ALLOWABLE HEIGHT (STORIES) AND AREA (SQUARE FEET) FOR BUILDINGS WITHOUT COMPLETE AUTOMATIC FIRE SPRINKLER SYSTEM PROTECTION (MAXIMUM GROSS FLOOR AREA PER FLOOR)
NOTE: DO NOT USE FOR BUILDINGS EXCEEDING 60 FEET IN HEIGHT

CLASS OF CONSTRUCTION	BUILDING FRONTAGE STREET EXPOSURE	NUMBER OF STORIES								
		1	2	3	4	5	6	7	8	Over 8
1. Fire-Resistive Type A	1	25,000	22,000	19,000	16,000	13,000	11,000	9,000	8,000	6,000
	2	30,500	27,000	24,000	20,500	17,500	15,000	13,000	12,000	10,000
	3	36,000	33,000	29,000	25,000	22,000	19,000	17,000	16,000	14,000
	4	41,500	39,000	34,000	29,500	26,500	23,000	21,000	20,000	18,000
2. Fire-Resistive Type B	1	23,000	20,000	17,000	14,000	11,000	9,000	7,000	6,000	
	2	28,000	25,000	22,000	18,500	15,500	13,000	11,000	10,000	N.P.
	3	34,000	31,000	27,000	23,000	20,000	17,000	15,000	14,000	
	4	39,500	37,000	32,000	27,500	24,500	21,000	19,000	18,000	
3. Metal Frame Protected	1	21,000	18,000	15,000	12,000					
	2	26,500	23,000	19,500	16,000	N.P.	N.P.	N.P.	N.P.	N.P.
	3	32,000	28,000	24,000	20,000					
	4	37,500	33,000	28,500	24,000					
4. Heavy Timber	1	17,000	14,000	11,000	9,000					
	2	22,000	19,000	16,000	13,500	N.P.	N.P.	N.P.	N.P.	N.P.
	3	27,000	24,000	21,000	18,000					
	4	32,000	29,000	26,000	22,500					
5A. Exterior Masonry Protected	1	15,500	13,500	9,500	8,000					
	2	20,000	17,000	14,000	12,500	N.P.	N.P.	N.P.	N.P.	N.P.
	3	24,500	21,500	18,500	15,500					
	4	29,000	26,000	23,000	19,500					
5B. Exterior Masonry Unprotected	1	14,000	11,500	9,000						
	2	18,000	15,000	12,500	N.P.	N.P.	N.P.	N.P.	N.P.	N.P.
	3	22,000	19,000	16,000						
	4	26,000	23,000	19,500						
6. Metal Frame Unprotected	1	14,000	11,500	9,000						
	2	18,000	15,000	12,500	N.P.	N.P.	N.P.	N.P.	N.P.	N.P.
	3	22,000	19,000	16,000						
	4	26,000	23,000	19,500						
7. Wood Frame Protected	1	12,500	7,500	5,500						
	2	16,000	10,000	7,000	N.P.	N.P.	N.P.	N.P.	N.P.	N.P.
	3	19,000	12,000	8,500						
	4	22,000	14,000	10,000						
8. Wood Frame Unprotected	1	10,000	5,000							
	2	12,000	6,000	N.P.	N.P.	N.P.	N.P.	N.P.	N.P.	N.P.
	3	14,000	7,000							
	4	16,000	8,000							

N.P. MEANS NOT PERMITTED

TABLE 54.01-2 — ALLOWABLE HEIGHT (STORIES) AND AREA (SQURE FEET) FOR BUILDINGS COMPLETELY PROTECTED BY AUTOMATIC FIRE SPRINKLER SYSTEM (MAXIMUM GROSS FLOOR AREA PER FLOOR) NOTE: USE FOR ALL BUILDINGS

CLASS OF CONSTRUCTION	BUILDING FRONTAGE STREET EXPOSURE	NUMBER OF STORIES									
		1	2	3	4	5	6	7	8	9	Over 9
1. Fire-resistive Type A stories and area may be unlimited subject to s. ILHR 54.01 (5) (b)	1	NO LIMIT									
	2	NO LIMIT									
	3	NO LIMIT									
	4	NO LIMIT									
2. Fire-resistive type B 1 to 9 story area may be unlimited subject to s. ILHR 54.01 (5) (b)	1		69,000	60,000	51,000	42,000	33,000	27,000	21,000	18,000	N.P.
	2	NO	85,500	75,000	66,000	55,500	46,500	39,000	33,000	30,000	
	3	LIMIT	102,000	93,000	81,000	69,000	60,000	51,000	45,000	42,000	
	4		118,500	111,000	96,000	82,500	73,500	63,000	57,000	54,000	
3. Metal frame protected 1 to 5 story area may be unlimited subject to s. ILHR 54.01 (5) (b)	1	84,000	63,000	54,000	45,000	36,000	N.P.	N.P.	N.P.	N.P.	N.P.
	2	106,000	79,500	69,000	58,500	48,000					
	3	128,000	96,000	84,000	72,000	60,000					
	4	150,000	112,500	99,000	85,500	72,000					
4. Heavy Timber 1 to 3 story area may be unlimited subject to s. ILHR 54.01 (5) (b)	1	68,000	51,000	42,000	33,000	27,000	N.P.	N.P.	N.P.	N.P.	N.P.
	2	88,000	66,000	57,000	48,000	40,500					
	3	108,000	81,000	72,000	63,000	54,000					
	4	128,000	96,000	87,000	78,000	67,500					
5A. Exterior Masonry Protected 1 to 3 story area may be unlimited subject to s. ILHR 54.01 (5) (b)	1	62,000	46,500	40,500	28,500	24,000	N.P.	N.P.	N.P.	N.P.	N.P.
	2	80,000	60,000	51,000	42,000	37,500					
	3	98,000	73,500	64,500	55,500	46,500					
	4	116,000	87,000	78,000	69,000	58,500					
5B. Exterior Masonry Unprotected 1 story area may be unlimited subject to s. ILHR 54.01 (5) (b)	1	56,000	42,000	34,500	27,000	N.P.	N.P.	N.P.	N.P.	N.P.	N.P.
	2	72,000	54,000	45,000	37,500						
	3	88,000	66,000	57,000	48,000						
	4	104,000	78,000	69,000	58,500						
6. Metal Frame Unprotected 1 story area may be unlimited subject to s. ILHR 54.01 (5) (b)	1	56,000	42,000	34,500	27,000	N.P.	N.P.	N.P.	N.P.	N.P.	N.P.
	2	72,000	54,000	45,000	37,500						
	3	88,000	66,000	57,000	48,000						
	4	104,000	78,000	69,000	58,500						
7. Wood Frame Protected	1	50,000	37,500	22,500	16,500	N.P.	N.P.	N.P.	N.P.	N.P.	N.P.
	2	64,000	48,000	30,000	21,000						
	3	76,000	57,000	36,000	25,500						
	4	88,000	66,000	42,000	30,000						
8. Wood Frame Unprotected	1	40,000	30,000	15,000	N.P.	N.P.	N.P.	N.P.	N.P.	N.P.	N.P.
	2	48,000	36,000	18,000							
	3	56,000	42,000	21,000							
	4	64,000	48,000	24,000							

N.P. MEANS NOT PERMITTED

(5) STREET ACCESS TO BUILDINGS. (a) Streets shall be within 50 feet of the adjacent building side with no obstructions between the street and the building which will impede fire-fighting efforts.

Note: See s. ILHR 51.01 (124) for definition of street.

(b) 1. Unlimited area buildings of fire-resistive type 1 construction and one-story unlimited area buildings of fire-resistive type 2 construction shall be provided with street access as defined in s. ILHR 51.01 (124) to at least one side of the building.

2. Unlimited area buildings of type 3 through type 6 construction shall have a continuous all-weather, hard-surfaced area 30 feet or more in width for a distance of not less than 50% of the perimeter of the building. These buildings shall have at least one wall facing a street for its entire length. At least 2 of the remaining building walls shall face streets for at least 50% of their respective lengths.

(6) HEIGHT EXCEPTIONS. Rack storage facilities of noncombustible construction protected with automatic fire sprinkler systems installed in accordance with NFPA

No. 231C — Standard for Rack Storage of Materials, may be of unlimited height.

(7) PUBLIC MAUSOLEUM CONSTRUCTION. Public mausoleum structures shall be constructed in accordance with s. ILHR 51.03 and mausoleum spaces shall be constructed of reinforced concrete.

History: 1-2-56; am. (2) and (3), Register, September, 1959, No. 45, eff. 10-1-59; am. (3), Register, February, 1971, No. 182, eff. 7-1-71; r. and recr. (3), eff. 8-1-71 and exp. 1-1-72; cr. (3) eff. 1-1-72, Register, July, 1971, No. 187; r. and recr. (1) and (2), Register, June, 1972, No. 198, eff. 1-1-73; r. and recr. (2) and (3), Register, September, 1973, No. 213, eff. 10-1-73; cr. (2) (a) 2 a, Register, December, 1977, No. 264, eff. 1-1-78; am. (2) (b) 2. a. and (2) (c), cr. (4), Register, November, 1978, No. 276, eff. 1-1-79; am. (3), Register, January, 1980, No. 289, eff. 2-1-80; r. and recr. table, am. (2) (b) 2. and (3), Register, December, 1981, No. 312, eff. 1-1-82; reprinted to correct errors in Table 54.01 and (2) (b) 2., Register, February, 1982, No. 314; am. (3), Register, December, 1983, No. 336, eff. 1-1-84; renum. (2) (a) and (c) to be (2) (a) 1. and (d), (2) (a) 2. renumb. and am. from ILHR 54.23, am. (2) (b) 1. and 2., r. and recr. (2) (b) 3., cr. (2) (c), Register, August, 1985, No. 356, eff. 1-1-86; emerg. r. and recr. (1) to (4), cr. (5) and (6) and tables 54.01-1 and 54.01-2, r. table 54.01, eff. 9-6-86; r. and recr. (1) to (4), cr. (5), (6) and tables 54.01-1 and 54.01-2, r. table 54.01, Register, November, 1986, No. 371, eff. 12-1-86; am. (4) (a) 1. d., Register, March, 1991, No. 423, eff. 4-1-91; cr. (7), Register, March, 1992, No. 435, eff. 4-1-92; renum. (5) (b) 1. and 2. to be 2. and 1. and am. 2., Register, January, 1994, No. 457, eff. 2-1-94.

Register, March, 1995, No. 471

ILHR 54.02

ILHR 54.02 Number and location of exits. (1) NUMBER OF EXITS. Every building and every floor level thereof shall have at least 2 exits.

(2) EXCEPTIONS. One exit will be permitted in the following conditions:

(a) Floor levels used entirely for storage in buildings 2 stories or less in height and not over 3,000 square feet gross area per floor.

(b) Interior balconies or mezzanine floors not over 3,000 square feet gross area used entirely for storage.

(c) Open interior balconies or open mezzanine floors not over 750 square feet gross area used for purposes other than nonoccupied storage.

(d) One-story office buildings, without a basement or mezzanine, having a gross floor area, per floor, of not more than 1,800 square feet. Only one office operation per floor level shall be permitted. The single exit from the first floor or ground floor(s) shall be an outside exit serving only that floor level.

(e) Retail establishments not over 750 square feet net area, provided there are 2 directions for exiting from the entrance door of the store.

(f) Enclosed interior mezzanine floors, not over 750 square feet gross area, that are used for office space, where the distance to the exit is no more than 100 feet in an unsprinklered building, or no more than 150 feet in a building completely protected by an approved automatic sprinkler system, provided:

1. Each wall facing the lower level is a minimum of 30% glazed with vision panels; and

2. Smoke detection in accord with NFPA 72E, or an equivalent system acceptable to the department, is provided to all parts of the building within 100 feet of the mezzanine, with the detectors on the main floor and a horn in the mezzanine level.

(3) OFFICE SUITE EXITING. One exit or exit access may be permitted from office suites having a floor area of not more than 1,800 square feet net area, provided there are 2 directions for exiting from the exit or exit access from the suite, and provided the exit distance within the suite, to the exit or exit access from the suite, does not exceed 75 feet in an unsprinklered building, or 100 feet in a completely sprinklered building.

Note: See Appendix A for further explanatory material.

(4) EXIT DISTANCE. (a) Exits shall be distributed or located so that no part of any building within the scope of this chapter will be more than 150 feet distant from an exit.

Note: See Appendix A for further explanatory material.

(b) Where an approved automatic fire sprinkler system is provided throughout the building, an increase in exit distance to 200 feet will be permitted for mercantile buildings and an increase in exit distance to 300 feet will be permitted in all other buildings within the scope of this chapter, except high hazard buildings.

(c) Buildings having contents which are liable to burn with extreme rapidity or from which poisonous fumes may

be liberated or explosions occur in case of fire, shall have exits provided so that the maximum distance to exit is limited to 75 feet.

Note: See s. A52.011 of Appendix A for further information relating to "high hazard" occupancies.

(d) All of the above distances shall be measured along public passageways and aisles.

Note: Also see s. ILHR 54.08 (1) for alternate exit distance provisions.

(5) EXIT DISTRIBUTION. Exits in all buildings of this classification shall be so located and distributed so as to afford the best possible egress.

History: 1-2-56; cr. (1) (c), Register, September, 1959, No. 45, eff. 10-1-59; am. (1) (b), Register, February, 1971, No. 182, eff. 7-1-71; r. and recr. (1) (b) eff. 8-1-71 and exp. 1-1-72, and cr. (1) (b) eff. 1-1-72, Register, July, 1971, No. 187; am. (1), Register, September, 1973, No. 213, eff. 10-1-73; r. and recr. Register, December, 1978, No. 276, eff. 1-1-79; am. (4), Register, January, 1980, No. 289, eff. 2-1-80; am. (4), Register, December, 1981, No. 312, eff. 1-1-82; emerg. am. (4) (b), eff. 9-6-86; am. (4) (b), Register, November, 1986, No. 371, eff. 12-1-86; cr. (2) (f) am. (3), Register, January, 1994, No. 457, eff. 2-1-94.

ILHR 54.03 Type of exits. (1) At least one-half of the exits required in accordance with s. ILHR 54.02 shall be stairways or standard exits to grade as specified in ss. ILHR 51.15 to 51.18. The other exits shall be either stairways, standard exits, or horizontal exits as specified in s. ILHR 51.19, or fire escapes as specified in s. ILHR 51.20. A fire escape will not be accepted as a required exit for any building level more than 5 stories or 55 feet above grade. An outside wooden stairway may be used as an exit for a 2-story building.

(a) *Exception.* The width of required exit stairways serving unoccupied areas (i.e., storage areas, equipment mezzanines and similar areas) not exceeding 750 square feet may be reduced to 3 feet 0 inches.

(b) *Exception.* Less than 3 risers may be used to elevated work stations (such as pharmacy floors, computer floors and similar areas) or to altars, podiums and similar areas, not in a required exit passageway.

(c) *Exception.* A spiral stairway may be used as a nonrequired convenience stairway in addition to all other required exit stairways in places of employment.

(d) *Exception.* A rescue platform (exterior balcony) of combustible construction may be used as a required second exit for buildings of type 5, 6, 7 and 8 construction, provided all of the following conditions are satisfied:

1. The exit serves 8 or less people;

2. The exit platform is located not more than 15 feet above the adjacent exit discharge grade;

3. The platform area is at least 14 square feet, with a minimum dimension of 3 feet;

4. The platform is designed for 80 pounds per square foot live load plus dead load;

5. Railings are provided in accordance with the provisions of s. ILHR 51.162;

6. Platforms having solid floors are provided with a roof equal in area to that of the platform;

7. All wood used in the construction of the rescue platform shall be pressure treated wood satisfying the re-

quirements of the applicable standards specified in s. ILHR 53.63 (6) unless the wood is inherently resistant to decay; and

8. The exit door to the platform is not less than 2 feet 6 inches in width.

(2) Every building which will accommodate more than 50 persons above the second story shall have at least 2 stairways.

(3) Wherever stairways are required under this classification, ramps with a slope not greater than one foot in 8 feet may be substituted. Ramps shall comply with all the requirements for stairways as to construction, enclosures, width, landing and lighting, and shall be surfaced with an approved non-slip material.

History: 1-2-56; am. (1), Register, December, 1974, No. 228, eff. 1-1-75; cr. (1) (a) to (d), eff. 1-1-78; am. (1) (b), Register, December, 1978, No. 276, eff. 1-1-79; am. (1) (d) 5. and (3), Register, January, 1980, No. 289, eff. 2-1-80; am. (1) (d) (intro.) 5. and 6., cr. (1) (d) 7., Register, December, 1983, No. 336, eff. 1-1-84; am. (1) (d) (intro.), 6. and 7., cr. (1) (d) 8., Register, March, 1991, No. 423, eff. 4-1-91; am. (1) (d) (intro.), Register, January, 1994, No. 457, eff. 2-1-94; am. (1) (d) 2., Register, March, 1995, No. 471, eff. 4-1-95.

ILHR 54.04 Required exit width. (1) The total required exit width from a building level shall be in accordance with the requirements of ss. ILHR 51.15 (6) and 51.16 (3).

(2) Standard fire escapes (s. ILHR 51.20) may be substituted for stairways to the extent of not more than of the required total width, subject to the provision of s. ILHR 54.02.

(3) Horizontal exits in accordance with the requirements of s. ILHR 51.19 may provide up to one-half of the required exit width for any floor, subject to the provisions of s. ILHR 54.02.

History: 1-2-56; am. (1) (a) and (b) and (3) (a) and (b), Register, June, 1972, No. 198, eff. 1-1-73; r. and recr. (1) and (3), r. (4), Register, December, 1974, No. 228, eff. 1-1-75.

ILHR 54.05 Capacity of buildings. (1) In calculating the aggregate width of exits, the capacity of the buildings shall be established as follows:

(a) Stores, first floor and basement----- 30 sq. ft. per person

(b) Stores, second floor and above ----- 60 sq. ft. per person

(c) Dining rooms, cafes, taverns, etc. ---- 10 sq. ft. per person

(d) Places of seated assemblage --- 7 sq. ft. per person

(e) Warehouses ----- 300 sq. ft. per person

(f) Factories and offices ----- 75 sq. ft. per person

(g) Swimming pool rooms--- 10 square feet per person for deck area.

(2) The above figures are based on the net area of each occupied space. Where dining rooms, cafes, dance halls and places of seated assemblage accommodate more than 100 persons, see s. ILHR 55.01.

(3) In other occupancies not specified above, the capacity shall be determined by the actual number of persons

liable to be accommodated therein and no greater number of persons will be permitted therein.

History: 1-2-56; cr. (1) (g), Register, January, 1994, No. 457, eff. 2-1-94.

ILHR 54.06 Exit doors. (1) **GENERAL.** Every door which serves as an exit from a building, public passageway or stairway shall be a standard exit door as specified in s. ILHR 51.15, except:

(a) Exit doors serving 25 or fewer persons need not swing in the direction of egress;

(b) Exit access doors serving 25 or fewer persons may be reduced in width to 2 feet 8 inches and may be a sliding or accordian-type door;

(c) Rolling, sliding and overhead types of doors or gates may be used as standard exit doors for tenant spaces in malls provided:

1. The door or gate is equipped with exit hardware in accordance with s. ILHR 51.15 (3);

2. The door or gate is counterbalanced such that it can be opened by a force not exceeding 12 pounds, or, if the door or gate is electrically operated, the door is supplied by an emergency power source capable of opening the door or gate;

3. The door or gate is maintained in a fully opened position during the business hours of the tenant space;

4. A security device permitted by s. ILHR 51.15 (3) (e) 2. is not engaged when the tenant space is occupied; and

5. Manual, chain hoist operators for the doors or gates are not employed.

(2) **ILLUMINATED EXIT SIGNS.** Every exit door from each floor level, other than the principal entrance for the building, shall be marked with an exit sign as specified in s. ILHR 51.15 (5).

(3) **SECURITY GATES.** Exterior security gates shall be permitted to protect exterior exit doors in accordance with this subsection.

(a) A security gate may not be closed or locked when the building or portion of the building protected by the security gate is occupied.

(b) When the gate is locked in place the gate shall be visible from the exterior of the building.

(c) A security gate may not be locked over exit doors which serve more than one building occupancy or tenant space.

(d) The locking device for a security gate which requires the use of a key or a combination to open it shall be accessible from the exterior of the building.

(e) The building owner shall send to the local fire department and building inspection department a letter indicating that a security gate is to be installed and maintained in accordance with this section.

(f) The department or its authorized deputies shall have the authority to revoke the use of any security gate for any

ILHR 54.06

exterior exit door upon the violation of any one provision specified in pars. (a) to (e).

History: 1-2-56; am. (1), Register, December, 1978, No. 276, eff. 1-1-79; am. Register, January, 1980, No. 289, eff. 2-1-80; am. Register, December, 1983, No. 336, eff. 1-1-84; r. and recr. Register, March, 1991, No. 423, eff. 4-1-91.

ILHR 54.07 Exit access. (1) Where there is not direct access to an exit or exits from an area within a building, exit access corridors, passageways, or aisles shall be provided to lead to the exit or exits.

(2) (a) The width of a corridor, passageway or aisle which provides access to an exit shall be at least:

1. Three feet, if the corridor, passageway or aisle serves a space with an occupant load not greater than 25 persons; and

2. Three feet 8 inches, if the corridor, passageway or aisle serves a space with an occupant load greater than 25 persons.

(b) The width of a corridor, passageway or aisle which provides egress from an exit shall be at least as wide as the required width for the exit served, as determined under ss. ILHR 51.15 (6) and 51.16 (3).

(3) (a) The width of a corridor, passageway, or aisle which provides access to or egress from an exit shall be determined at the narrowest point produced by any projection or other similar object or obstruction.

(b) The required width of a corridor, passageway, or aisle which provides access to or egress from an exit as determined under this section shall be maintained clear and unobstructed at all times.

Note: See s. ILHR 52.04 (9) for corridor widths to accommodate the physically disabled.

History: 1-2-56; am. Register, December, 1981, No. 312, eff. 1-1-82; r. and recr. Register, March, 1991, No. 423, eff. 4-1-91.

ILHR 54.08 Enclosure of stairways and shafts. (1) (a) Except as provided in par. (b), all stairways including landings, ramps and shafts, shall be enclosed as specified in s. ILHR 51.02 (11).

(b) 1. The stairways or shafts connecting one floor level with another floor level immediately adjacent to it may be left unenclosed where the distance to an exit from the area served by the open stairway including the horizontal travel distance on the exit access stair, does not exceed 100 feet in buildings not completely protected by an approved automatic sprinkler system or 150 feet in buildings completely protected by an approved automatic sprinkler system; or

2. Any stairway or shaft connecting the second floor, first floor and basement or ground floor shall be separated at the first floor level or first adjacent basement or ground floor level with fire resistive construction as specified in Table 5L03-A or better in buildings 2 stories or less in height, and where the distance to an exit from the area served by the open stairway including the horizontal travel distance on the exit access stair, does not exceed 100 feet in buildings not completely protected by an approved automatic sprinkler system or 150 feet in buildings completely protected by an approved automatic sprinkler system.

Register, March, 1995, No. 471

(2) All doors opening into such enclosures shall be as specified in s. ILHR 51.047, and all windows shall be of wired glass and metal frames and sash.

Note: See ch. ILHR 18 for requirements governing the installation and operation of elevators.

History: 1-2-56; am. (1) (a), (b), (c), (d) and (2), Register, February, 1971, No. 182, eff. 7-1-71; r. and recr. (1) (a), (b), (c), (d) and (2) eff. 8-1-71 and exp. 1-1-72; cr. (1) (a), (b), (c), (d) and (2) eff. 1-1-72, Register, July, 1971, No. 187; r. and recr. (1), Register, June, 1972, No. 198, eff. 1-1-73; am. (3), Register, December, 1977, No. 264, eff. 1-1-78; r. (3), Register, December, 1978, No. 276, eff. 1-1-79; am. (1), Register, January, 1980, No. 289, eff. 2-1-80; am. (1), Register, October, 1982, No. 322, eff. 11-1-82; am. (1) (b), Register, December, 1983, No. 336, eff. 1-1-84; r. and recr. (1) (b) 1., Register, March, 1991, No. 423, eff. 4-1-91.

ILHR 54.10 Trap doors and floor openings. Every opening through any floor or through any roof used by the public or by employes shall be guarded by a substantial enclosure or rail not less than 3 feet 6 inches high. Floor openings in buildings of more than 2 stories, unless enclosed with fire-resistive enclosures as specified in s. ILHR 54.08 shall be protected by fire-resistive doors as specified in s. ILHR 51.047.

History: 1-2-56; am. Register, February, 1971, No. 182, eff. 7-1-71; r. and recr. eff. 8-1-71 and exp. 1-1-72; cr., Register, July, 1971, No. 187, eff. 1-1-72.

ILHR 54.105 Toeboards. A toeboard shall be provided at the exposed edges of all elevated platforms, walks, balconies, mezzanines, ramps and floor openings to prevent the fall of materials where the elevation difference is greater than 5 feet. The toeboard shall extend 4 inches above the finished floor. Where material is stockpiled to a height where the toeboard does not provide adequate protection, additional measures shall be taken to prevent the fall of materials.

(1) **EXCEPTION.** Toeboards are not required on stairways or ramps and their landings or platforms.

History: Cr. Register, December, 1981, No. 312, eff. 1-1-82.

ILHR 54.11 Lighting. (1) (a) All stairways, fire escapes and exits, and the passageways leading thereto when used at night, shall be properly illuminated to facilitate egress. The intensity of illumination shall be as specified in ch. Ind 19.

(b) The level of intensity of illumination for fire escapes may be reduced to 2.5 foot candles.

(2) All gas jets or gas lights in factories or workshops where combustible material is used, shall be properly enclosed by globes or wire cages, or otherwise properly guarded.

History: 1-2-56; am. (1), Register, August, 1985, No. 356, eff. 1-1-86; am. (1) (a), Register, January, 1994, No. 457, eff. 2-1-94.

ILHR 54.12 Sanitary facilities. (1) **GENERAL.** The occupancies included under the scope of this chapter shall be provided with toilet rooms as outlined in this section.

(a) The toilet rooms shall be available for all occupants and employes during all hours of operation and located as specified in sub. (2) (b) 2.

(b) Toilet rooms for employes shall be accessible and convenient during all hours of operation.

(c) Sanitary fixtures for the public shall be provided using Table 54.12-A. Sanitary fixtures for employes shall be provided using Table 54.12-B.

TABLE 54.12-A
NUMBER OF SANITARY FIXTURES REQUIRED FOR
PATRONS/OCCUPANTS FOR PUBLIC BUILDINGS

Number of Patrons/ Occupants of Each Sex ²	Type of Fixture ¹				
	Water Closets (WC)		Urinals (U)	Drinking Facilities (DF)	Lavatories ³ (L)
Males (M)	Females (F)				
1- 100	1	1	0		
101- 200	1	2	1		
201- 250	1	3	2		
251- 300	1	4	2		
301- 350	2	5	2		
351- 400	2	6	2		
401- 450	2	7	3		
451- 500	2	8	3		
501- 600	2	9	4		
Over 600	One (WC) for each additional 600 (M) or 275 (F) or fraction		One (U) for each additional 500 (M) or fraction	One additional (DF) for each additional 3000 occupants or fraction	

¹ Showers shall be required only in public pool facilities and for occupants exposed to occupational hazards such as poisonous, infectious or irritating materials.

² The determination of the number of each sex shall be based on equal number of each sex unless other information is made available to the department and accepted. Where a single toilet room designated as UNISEX is provided, it shall be considered as accommodating no more than 10 employes and 25 occupants.

³ A minimum of one lavatory shall be provided in each toilet room.

Note: For structures with additions or alterations, the required number of sanitary fixtures shall be the sum of the fixtures required for the existing portion at the time it was constructed plus the fixtures required by this table for the new addition or altered area. At such time as the summation of the addition and alteration area is equal to or greater than 51% of the building area calculated as specified in s. ILHR 50.03 (4) (d), fixtures shall be provided in conformance to this table utilizing the capacity of the entire building.

TABLE 54.12-B
NUMBER OF SANITARY FIXTURES REQUIRED FOR
EMPLOYES FOR PUBLIC BUILDINGS

Number of Employes/ Each Sex ²	Type of Fixture ¹				
	Water Closets (WC)		Urinals (U)	Drinking Facilities (DF)	Lavatories ³ (L)
Males (M)	Females (F)				
0- 15	1	1	0		
16- 35	1	2	1		
36- 55	2	3	1		
56- 80	2	4	2		
81-110	3	5	2		
111- 150	4	6	2		
151- 200	5	8	3		
201- 250	6	9	3		
Over 250	One (WC) for each additional 55 (M) or fraction; one (WC) for each additional 15 (F) or fraction		One (U) for each additional 75 (M) or fraction	One (DF) for each 100 employes, or fraction; One (L) for each 2 fixtures (WC) or (U), or fraction; One (S) for each 10 employes of each sex, or fraction	

¹ Showers shall be provided in public pool facilities and for employes exposed to occupational hazards such as poisonous, infectious or irritating materials.

² The determination of the number of each sex shall be based on equal number of each sex unless other information is made available to the department and accepted. Where a single toilet room designated as UNISEX is provided, it shall be considered as accommodating no more than 10 employes and 25 occupants.

³ A minimum of one lavatory shall be provided in each toilet room.

Note 1: For structures with additions or alterations, the required number of sanitary fixtures shall be the sum of the fixtures required for the existing portion at the time it was constructed plus the fixtures required by this table for the new addition or altered area. At such time as the summation of the addition and alteration area is equal to or greater than 51% of the building area calculated as specified in s. ILHR 50.03 (4) (d), fixtures shall be provided in conformance to this table utilizing the capacity of the entire building.

ILHR 54.12

Note 2: *Examples:* Example 1: Mercantile building with 300 patrons and 50 employees = 350 total occupants; equally divided between sexes = 175 males, 175 females. From Table 54.12-A, 101-200 occupants of each sex: males require one water closet, one urinal, one lavatory; females require 2 water closets, one lavatory. Check for compliance with Table 54.12-B for employees: 50 employees, equally divided between sexes = 25 males, 25 females; 16-35 employees of each sex, males require one water closet, one urinal, one lavatory; females require 2 water closets, one lavatory. Therefore, the number of fixtures required by Table 54.12-A also satisfies the requirements of Table 54.12-B for employees and governs.

Example 2: Office building with 300 employees and 50 patrons = 350 total occupants; equally divided between sexes = 175 males, 175 females. From Table 54.12-A, 101-200 occupants of each sex: males require one water closet, one urinal, one lavatory; females require 2 water closets, one lavatory. Check for compliance with Table 54.12-B for employees: 300 employees, equally divided between sexes = 150 males, 150 females; 111-150 employees of each sex, males require 4 water closets, 2 urinals, 3 lavatories; females require 6 water closets, 3 lavatories. Therefore, the number of fixtures required by Table 54.12-B for employees is more restrictive and governs.

Note 3: See also rules of the department of health and social services for sanitary fixtures for public swimming places, mobile home parks, camping grounds, camping resorts, recreational camps and educational camps.

(2) **TOILET ROOMS.** (a) *Factories, office and mercantile buildings.* All factories, office and mercantile buildings shall be provided with separate toilet rooms for each sex.

(b) *Exceptions.* 1. Where not more than 10 employees and 25 patrons are accommodated, one toilet room to accommodate both sexes shall be provided. The door of the toilet room shall be equipped with an operating lock to ensure privacy.

2. Separate toilet rooms for employees and the general public need not be provided if the toilet rooms are accessible to both employees and the general public during all hours of operation. If the toilet rooms are accessible only through the employe work area, separate toilet rooms shall be provided for the general public.

3. Buildings and structures which provide service to people in automobiles, such as drive-in bank teller booths, photography and film service booths, or parking lot attendant booths, but not including drive-in restaurants, shall not be required to provide toilet rooms, provided that a written statement is submitted to the department verifying that convenient toilet facilities are available during all shifts and periods of operation. Toilet rooms are not required for mobile crews or in unattended buildings, provided the employees have access to convenient toilet facilities during all hours of operation.

(c) *Shopping centers and shopping malls.* 1. General public. Separate toilet rooms for each sex shall be provided for use by the general public in all shopping centers and shopping malls. The toilet rooms may be located in the public mall or in individual tenant spaces provided the toilet rooms are available during all hours of operation and located as specified in par. (b) 2. A minimum of one set of toilet rooms shall be provided for the general public.

2. Tenant spaces and employees. a. Separate toilet rooms for each sex shall be provided for the employees in each individual tenant space. In tenant spaces which accommodate not more than 10 employees, one toilet room to accommodate both sexes may be provided. For an individual tenant space or an individual booth within the public mall with a net area of 750 square feet or less, toilet rooms for the employees need not be provided if the employees have access to convenient public toilet rooms located in the public mall during all hours of operation.

b. Toilet rooms for other use groups which may also be included in shopping centers or shopping malls shall be provided as specified in sub. (2) (e) and s. ILHR 55.32.

Note: The department recommends that public toilet rooms in shopping centers and shopping malls be conveniently located for patron use and that the travel distance between sets of public toilet rooms be less than 400 feet. A set of public toilet rooms means one toilet room for each sex.

Register, January, 1994, No. 457

(d) *Places of worship and mausoleums.* 1. Places of worship. Places of worship which are included under this chapter shall be provided with separate toilet rooms for each sex.

2. Mausoleums. Sanitary facilities are not required for unheated worship areas of mausoleums without fixed seating or for mausoleums within cemeteries where public sanitary facilities for each sex are provided within the cemetery.

(e) *Places for entertainment, recreation and dining.* 1. Restaurants, taverns, and places for entertainment and recreation which are included under the scope of this chapter shall be provided with separate toilet rooms for each sex. Separate toilet rooms for employees and the general public need not be provided if the toilet rooms are accessible to both employees and the general public during all hours of operation.

2. For mixed-use facilities, such as a dinner theater, the number required for the restaurants apply.

Note: See rules of the department of health and social services, ch. HSS 196 — Restaurants, for supplementary requirements for toilet room facilities in restaurants.

(f) *Garages, service stations and filling stations.* Toilet rooms shall be provided as outlined in this paragraph.

1. Garages. Separate toilet rooms for each sex shall be provided in all service and repair garages, body shops, automobile tire and battery shops, and buildings of similar use, except that a single toilet room to accommodate both sexes may be provided in buildings which accommodate not more than 10 employees and 25 patrons. If toilet rooms are accessible to both employees and patrons during all hours of operation, separate toilet rooms for employees and patrons need not be provided.

2. Service stations and filling stations. Separate toilet rooms for each sex shall be provided in service stations and filling stations, including self-service stations. If toilet rooms are accessible to both employees and patrons, separate toilet rooms for employees and patrons need not be provided.

(g) *Airports, bus terminals, train stations and other transportation centers.* All airports, bus terminals, train stations and other transportation centers shall be provided with separate toilet rooms for each sex as required in Table 54.12-A.

(3) **SANITARY FIXTURES.** (a) *General.* In public buildings and places of employment, except as provided in par. (b), the total number of sanitary fixtures required in the building shall be based upon the total number of occupants of the building and shall be determined by using the higher

number calculated from Tables 54.12-A and 54.12-B. The total number of occupants will be considered equally divided between males and females unless a different ratio is established by the department.

(b) *Exceptions.* 1. Except as provided in subd. 2., taverns and restaurants shall provide at least one separate toilet room for each sex.

2. Restaurants providing seating for 15 or less occupants, one toilet room having at least one water closet (WC) and one lavatory (L) may be provided to accommodate both sexes. The door of the toilet room shall be equipped with a lock to ensure privacy. If the toilet rooms are accessible to both employes and the general public, separate toilet rooms for employes and the general public need not be provided.

3. Taverns and restaurants accommodating 16 to 50 total occupants, at least one water closet (WC) and one lavatory (L) for each sex shall be provided.

4. Taverns and restaurants accommodating 51 to 100 occupants, at least 2 water closets (WC) and one lavatory (L) for female patrons and at least one water closet (WC), one urinal (U) and one lavatory (L) for male patrons shall be provided.

5. Taverns and restaurants accommodating more than 100 occupants, the number of sanitary fixtures provided shall be as determined by using Table 55.32.

(c) *OSHA regulations.* The ratios for water closets established in Table 54.12-B for employes are taken directly from the U.S. department of labor, occupational safety and health act (OSHA) regulations. Therefore, s. ILHR 50.25, petitions for variance, is not applicable to the requirements of Table 54.12-B.

History: 1-2-56; am. (3) (a) and (b), and (6), Register, September, 1959, No. 45, eff. 10-1-59; r. and recr. Register, December, 1976, No. 252, eff. 1-1-77; am. (1) (a) 1, (1) (b) and (e) 1, r. (1) (e) 3, r. and recr. (2), Register, December, 1977, No. 264, eff. 1-1-78; am. (2) (intro.) and (2) (a) 2., Register, December, 1978, No. 276, eff. 1-1-79; r. and recr. table and (2) (a) 1., Register, December, 1981, No. 312, eff. 1-1-82; r. and recr. (2) (a) 1., Register, October, 1982, No. 322, eff. 11-1-82; am. (1) (a) 1. and (e) 1., Register, December, 1983, No. 336, eff. 1-1-84; am. table 54.12 A and B, r. (2) (a) 1. a., renum. (2) (a) 1. intro., b. and c. to be a. d. and e. and am. a., cr (2) (a) 1. b. and c., Register, August, 1985, No. 356, eff. 1-1-86; am. (2) (a) 1. c. and d., r. (2) (a) 2., Register, March, 1991, No. 423, eff. 4-1-91; r. and recr. (1) (c), Register, March, 1992, No. 435, eff. 4-1-92; r. and recr. Register, August, 1993, No. 452, eff. 3-1-94.

ILHR 54.13 Change rooms and lunchrooms. (1) **CHANGE ROOMS.** Change rooms equipped with storage facilities for street clothes shall be provided where employes are required to wear protective clothing due to the nature of the employment and where employes are exposed to toxic materials and industrial poisons. Separate storage facilities for street clothes and work clothes shall be provided for employes who work with industrial poisons.

Note: See also ch. HSS 196, Wis. Adm. Code, rules of the department of health and social services, for requirements for dressing rooms and lockers in restaurants.

(2) **LUNCHROOMS.** A space for eating lunches shall be provided in all places of employment where there is exposure to injurious dusts, toxic material and industrial poisons. Such space shall be physically separate from any lo-

cation where there is exposure to toxic materials. Toilet rooms shall not be permitted to serve as lunchrooms.

History: Cr. Register, December, 1976, No. 252, eff. 1-1-77.

ILHR 54.14 Isolation of hazards. (1) **GENERAL.** (a) Except as provided in par. (b) and sub. (3), all fuel-fired water heaters, heating boilers and furnaces, power boilers, fuel storage or breeching rooms, storage vaults for paints, oils, and similar combustibles and other similar hazards in a building shall be isolated from the rest of the building by at least a 2-hour fire-resistive enclosure as specified in ss. ILHR 51.04 to 51.049; except that in buildings not more than 2 stories in height and having a floor area of not more than 3,000 square feet per floor, a 1-hour fire-resistive enclosure as specified in ss. ILHR 51.04 to 51.049, or better, shall be provided.

Note: See ch. ILHR 10, for isolation of flammable and combustible liquids.

(b) Direct vent sealed combustion chamber appliances need not be enclosed with fire-resistive rated construction as specified in par. (a).

(c) Clothes cleaning establishments with fuel-fired dryers, or with flammable or combustible dry cleaning solvents, shall be separated from other occupancies in accord with the isolations specified in par. (a).

Note: Fuel-fired dryers in a clothes cleaning establishment are considered to be process equipment and are not required to be separated from the rest of the establishment.

(2) **PROTECTION OF OPENINGS.** All openings shall be protected with self-closing fire-resistive doors as specified in s. ILHR 51.047.

(3) **SUSPENDING EQUIPMENT.** (a) Except as provided in par. (b), boilers up to 200,000 Btu input, water heaters up to 200,000 Btu input, gas and liquid fuel-fired space heaters, suspended furnaces, vented and unvented unit heaters may be used without an enclosure where approved by the department. Where suspended furnaces, vented and unvented unit heaters, boilers and water heaters are used without an enclosure, all such units shall be located at least 7 feet above the floor. The blow-off pipe for suspended boilers and water heaters shall be extended down to within 6 inches of the floor.

(b) The rated enclosure for heating equipment in factories may be omitted if the burner of the equipment is located at least 7 feet off the floor and the equipment is protected from physical damage.

Note: See s. ILHR 64.21 for additional requirements.

History: 1-2-56; am. (1) and (2), Register, February, 1971, No. 182, eff. 7-1-71; r. and recr. (1) and (2) eff. 8-1-71 and exp. 1-1-72; cr. (1) and (2) eff. 1-1-72, Register, July, 1971, No. 187; renum. from 54.13, Register, December, 1976, No. 252, eff. 1-1-77; am. (3), Register, December, 1978, No. 276, eff. 1-1-79; am. Register, December, 1981, No. 312, eff. 1-1-82; am. (3), Register, October, 1982, No. 322, eff. 11-1-82; r. and recr. (3), Register, December, 1983, No. 336, eff. 1-1-84; am. (1), Register, August, 1985, No. 356, eff. 1-1-86; am. (1) (a), cr. (1) (c), Register, January, 1994, No. 457, eff. 2-1-94.

ILHR 54.145 Occupancy separation. (1) Occupancies within the scope of this chapter shall be separated from other occupancies or uses in accordance with s. ILHR 51.08.

History: Cr. Register, December, 1981, No. 312, eff. 1-1-82; r. and recr. Register, March, 1991, No. 423, eff. 4-1-91.

Register, January, 1994, No. 457

ILHR 54.15

ILHR 54.15 Fire protection systems. (1) SPRINKLER SYSTEMS. Automatic fire sprinkler systems shall be provided as outlined in ss. ILHR 52.01, 52.011, 52.012 and 52.013.

(2) STANDPIPE SYSTEMS. (a) Fire department standpipes. Fire department standpipes shall be provided in all buildings exceeding 60 feet in height.

(b) Dry standpipes. Dry standpipes as specified under s. ILHR 51.21 shall be provided in all buildings 3 stories or more in height in which the floor area of each story is more than 3,000 square feet, unless an approved automatic sprinkler system is installed. First-aid standpipes may be provided in lieu of dry standpipes in factory occupancies.

(3) FIRE EXTINGUISHERS. Portable fire extinguishers shall be provided and maintained as specified in s. ILHR 51.22.

History: 1-2-56; renum. from 54.14 and r. and recr. Register, December, 1976, No. 252, eff. 1-1-77; am. (2), Register, December, 1977, No. 264, eff. 1-1-78; emerg. r. and recr. (2), eff. 9-6-86; r. and recr. (2), Register, November, 1986, No. 371, eff. 12-1-86; r. and recr. Register, March, 1991, No. 423, eff. 4-1-91; am. (2) (b), Register, January, 1994, No. 457, eff. 2-1-94.

ILHR 54.17 Fire alarms. (1) FACTORY AND WORKSHOP. Except as provided in sub. (3), a manual fire alarm complying with the requirements of s. ILHR 51.24 shall be provided in every factory or workshop where more than 10 persons are employed above the second story.

(2) OFFICE BUILDINGS. Except as provided in sub. (3), a manual fire alarm complying with the requirements of s. ILHR 51.24 shall be provided in office buildings complying with either of the following conditions:

(a) Four stories or more in height; or

(b) 15,000 square feet or more on any floor level above or below a floor of exit discharge.

(3) EXCEPTION. The installation of a manual fire alarm system may be omitted in buildings where complete automatic fire sprinkler system protection is provided.

History: 1-2-56; am. Register, June, 1972, No. 198, eff. 1-1-73; renum. from 54.16, Register, December, 1976, No. 252, eff. 1-1-77; r. and recr. Register, December, 1981, No. 312, eff. 1-1-82; emerg. r. and recr., eff. 9-6-86; r. and recr. Register, November, 1986, No. 371, eff. 12-1-86.

ILHR 54.18 Floor load signs. (1) In every factory, workshop, warehouse, or other building where material is piled, notices of a permanent character shall be painted or otherwise prominently displayed, stating the live load in pounds per square foot which the floor is designed to carry. Such notices shall be placed in full view, on each floor.

(2) Where floors are always used for the storage of some particular material, the walls shall be marked to the height to which the material shall be piled without exceeding the safe load.

History: 1-2-56; renum. from 54.17, Register, December, 1976, No. 252, eff. 1-1-77.

ILHR 54.19 Signs indicating number of persons. In all buildings of this classification where 50 or more persons are accommodated on any floor above the second, notices shall be prominently displayed stating the maximum number of persons on each floor for whom stairways and other exits have been provided according to ss. ILHR 54.02 to 54.06. Such notices shall be placed in full view, on each floor.

History: 1-2-56; renum. from 54.18, Register, December, 1976, No. 252, eff. 1-1-77.

ILHR 54.20 No smoking signs. Smoking shall not be permitted in retail establishments where flammable materials are handled or sold. Suitable signs bearing the words "No Smoking" shall be erected in all places where such hazard exists.

History: 1-2-56; renum. from 54.19, Register, December, 1976, No. 252, eff. 1-1-77.

ILHR 54.21 Tents. All tents used for sales or storage purposes shall conform to the requirements specified in ss. ILHR 62.42 to 62.51.

History: Cr. Register, September, 1959, No. 45, eff. 10-1-59; renum. from 54.20, Register, December, 1976, No. 252, eff. 1-1-77; am. Register, December, 1981, No. 312, eff. 1-1-82.

ILHR 54.22 Mini-warehouses. History: Cr. Register, December, 1978, No. 276, eff. 1-1-79; r. and recr. Register, December, 1981, No. 312, eff. 1-1-82; cr. (6), Register, August, 1985, No. 356, eff. 1-1-86; r. Register, January, 1994, No. 457, eff. 2-1-94.

Chapter ILHR 55

THEATERS AND ASSEMBLY HALLS

- ILHR 55.001 Scope
- ILHR 55.01 Definitions
- ILHR 55.02 Class of construction
- ILHR 55.03 Height above grade
- ILHR 55.04 Exposure and courts
- ILHR 55.05 Separation from other occupancies
- ILHR 55.06 Capacity
- ILHR 55.07 Number and location of exits
- ILHR 55.08 Type of exits
- ILHR 55.09 Stairways
- ILHR 55.10 Exit doors and doorways
- ILHR 55.11 Exit lights
- ILHR 55.12 Required exit width
- ILHR 55.13 Seating
- ILHR 55.14 Width of aisles
- ILHR 55.15 Lobbies and foyers
- ILHR 55.16 Inclines and aisle steps
- ILHR 55.17 Obstruction
- ILHR 55.18 Mirrors and false openings
- ILHR 55.19 Decorations
- ILHR 55.20 Elevator and vent shafts
- ILHR 55.21 Stage separation
- ILHR 55.22 Proscenium wall
- ILHR 55.23 Proscenium curtain
- ILHR 55.24 Automatic smoke outlet
- ILHR 55.25 Stage vestibules
- ILHR 55.26 Footlight trough
- ILHR 55.27 Fireproof paint
- ILHR 55.28 Stage accessory rooms
- ILHR 55.29 Isolation of hazards
- ILHR 55.30 Lights and lighting
- ILHR 55.32 Sanitary facilities
- ILHR 55.33 Fire protection systems
- ILHR 55.39 Use of "safety-base" film
- ILHR 55.40 Motion picture machine booths, general
- ILHR 55.41 Construction of booth
- ILHR 55.42 Doors
- ILHR 55.43 Openings
- ILHR 55.44 Ventilation of booths
- ILHR 55.45 Relief outlets
- ILHR 55.46 Electric wiring
- ILHR 55.47 Motion picture machine
- ILHR 55.48 Fire protection in booth; care and use of film
- ILHR 55.49 Portable booths
- ILHR 55.50 Maintenance

Note: Chapter Ind 55 was renumbered to be chapter ILHR 55 effective January 1, 1984.

ILHR 55.001 Scope. The requirements of this chapter shall apply to all theatres and assembly halls.

Note: For assembly areas in connection with schools and other places of instruction, refer to ch. ILHR 56.

History: 1-2-56; r. and recr. Register, August, 1985, No. 356, eff. 1-1-86.

ILHR 55.01 Definitions. In this chapter:

(1) "Assembly halls" or "places of assembly" mean all buildings, or parts of buildings, other than theaters, which will accommodate more than 100 persons for entertainment, recreation, worship or dining purposes.

Note: Assembly halls or places of assembly which will accommodate not more than 100 persons are included within the scope of ch. ILHR 54.

(2) "Theaters" means all buildings or parts of buildings, containing an assembly hall, having a stage which may be equipped with curtains or permanent or movable scenery, or which is otherwise adaptable to the showing of plays, operas, motion pictures or similar forms of entertainment.

History: 1-2-56; am. (1) (intro. par.), Register, March, 1972, No. 195, eff. 4-1-72; am. (1)(a), Register, January, 1980, No. 289, eff. 2-1-80; r. and recr. Register, August, 1985, No. 356, eff. 1-1-86.

ILHR 55.02 Class of construction. (1) GENERAL. The capacities of buildings or parts of buildings in this classification for the various types of construction shall not exceed, and shall comply with, the following requirements:

MAXIMUM CAPACITIES

Class of Construction	Without Complete Automatic Fire Sprinkler System Protection		With Complete Automatic Fire Sprinkler System Protection	
	With Stage	Without Stage	With Stage	Without Stage
Type 1 and 2	No limit	No limit	No limit	No limit
Type 3 and 4	750	1,500	1,000	2,000
Type 5 and 6	500	1,000	750	1,500
Type 7 and 8	300	750	500	1,000

(2) UNLIMITED CAPACITY BUILDINGS. Buildings of type 3, 5 or 6 totally noncombustible construction, or type 4 construction, may have unlimited capacities provided:

- (a) The building does not exceed one story in height;
- (b) The floor framing and its supports for any mezzanine is constructed of noncombustible materials with at least a one-hour fire resistive rating; and
- (c) Any basement or ground floor is:

1. Separated from any upper floor level by noncombustible construction with at least a 4-hour fire resistive rating; and

2. Used only to accommodate mechanical equipment.

(2m) TYPE 7 AND 8 CONSTRUCTION. (See s. ILHR 51.03.) Where buildings of these classifications are erected of type 7 or 8 construction, the following restrictions shall apply:

ILHR 55.02

(a) Located at least 20 feet from any other building or adjoining property line, except for those buildings as permitted under par. (c) 4;

(b) Is not built in connection with a building used for any other purpose, unless the assembly hall is separated from the other building by a fire division wall as specified in s. ILHR 51.02 (13); and

(c) Except as provided in subds. 1. to 5., not more than one story in height and limited to one floor level.

1. Exception. A basement or ground floor heating and fuel room enclosed with fire-resistive construction as specified in s. ILHR 55.29, with all interior openings protected with self-closing fire-resistive door assemblies as specified in s. ILHR 51.047 will be permitted.

2. Exception. A place of worship may have:

a. A full basement or ground floor; and

b. A balcony or mezzanine which has at least one side open to the floor below and which has a maximum occupancy of 30 persons.

3. Exception. One-story and ground-floor assembly halls of type 7 or 8 construction will be permitted providing the following conditions are satisfied:

a. Both levels shall exit directly to grade. One exit stair from the lower level up to the exit discharge grade is permitted providing the stair is enclosed to the outside by 2-hour fire-resistive rated construction;

b. The ground story exterior walls shall be of masonry or concrete;

c. The lower level shall be separated from the upper level by 2-hour noncombustible fire-resistive rated construction or better. The first floor supports shall also be of 2-hour noncombustible fire-resistive rated construction;

d. All stairways shall be enclosed by at least 2-hour fire-resistive rated enclosures;

e. The maximum capacity of the building is limited as specified in sub. (1); and

f. All other requirements of ch. ILHR 55 are satisfied.

4. Exception. Additions to existing buildings of type 7 or 8 construction having a basement or second floor, or both, will be permitted under the scope of ch. ILHR 54 providing the following conditions are satisfied:

a. The building contains no other occupancy except the owner's private residence;

b. Public occupancy is prohibited in the basement and second floor;

c. The addition does not contain a basement, second floor or ground floor;

d. The public occupancy areas are divided by partitions, dividers and similar objects into definable areas having a maximum capacity of 100 occupants each. Each definable area shall have 2 independent, remote exits to the outside;

e. The maximum capacity of the building is limited as specified in sub. (1);

Register, January, 1994, No. 457

f. All other requirements of ch. ILHR 54 are satisfied; and

g. This exception does not apply to buildings originally constructed within 5 years of submissions of plans for the addition.

5. Exception. Buildings completely protected by automatic fire sprinkler system protection may not exceed 2 stories in height and shall be limited to 2 floor levels.

(3) BALCONIES ACCOMMODATING MORE THAN 100. In any theater or assembly hall, balconies which accommodate more than 100 persons shall be type 1 or 2 construction as specified in s. ILHR 51.03.

History: 1-2-56;(1); (1) (a); (2); (2) (a); (2) (b); (2) (c); (2) (d); (2) (e); (2) (f); (3); am. Register, June, 1956; No. 6, eff. 7-1-56; am. (1) (a), Register, August, 1957, No. 20, eff. 9-1-57; am. Register, January, 1961, No. 61, eff. 2-1-61; am. (2) (a), Register, February, 1971, No. 182, eff. 7-1-71; r. and recr. (2) (a) eff. 8-1-71 and exp. 1-1-72; cr. (2) (a) eff. 1-1-72, Register, July, 1971, No. 187; r. and recr. (1), am. (2) intro. par. and (3), Register, June, 1972, No. 198, eff. 1-1-73; cr. (1) (a), Register, September, 1973, No. 213, eff. 10-1-73; am. (2) (a), Register, May, 1974, No. 221, eff. 6-1-74; am. (1) (a), Register, July, 1974, No. 223, eff. 8-1-74; r. (2)(d) and (e), Register, December, 1977, No. 264, eff. 1-1-78; am. (1) (a), cr. (2) (a) 1. to 3., Register, December, 1978, No. 276, eff. 1-1-79; am. (2) (a) 2.c., Register, January, 1980, No. 289, eff. 2-1-80; am. (2) (a) 3. c., Register, December, 1981, No. 312, eff. 1-1-82; reprinted to correct error in (2) (a) 1., Register, February, 1982, No. 314; renum. (2) (a) 1. to 3., (b) and (c) to be (2) (c) 2. to 4., (a) and (b), r. (2) (a) (intro.) and cr. (2) (c) (intro.) and 1., Register, August, 1985, No. 356, eff. 1-1-86; emerg. r. and recr. (1) and (2) (a) and (b), am. (2) (c) (intro.), 3. e. and 4. e., cr. (2) (c) 5., eff. 9-6-86; r. and recr. (1) renum. (2) to be (2m) and am. (c) (intro.), 3. e. and 4. e., cr. (c) 5., Register, November, 1986, No. 371, eff. 12-1-86; reprinted to restore dropped copy, Register, December, 1986, No. 372; r. recr. (2) and (2m) (c) 2., am. (2m) (a) and (b), Register, March, 1991, No. 423, eff. 4-1-91; am. (2) (intro.), Register, January, 1994, No. 457, eff. 2-1-94.

ILHR 55.03 Height above grade. THEATERS. The height of the sills of the principal entrance doors to any theater, as defined in s. ILHR 55.001, shall be not more than 18 inches above the outside grade at that point. The floor level at the highest row of seats on the main floor shall not be more than 6 feet above the outside grade at the main entrance; the floor level at the lowest row of seats on the main floor shall be not more than 6 feet below, or above, the grade at the nearest exit.

History: 1-2-56; r. and recr. Register, September, 1959, No. 45, eff. 10-1-59; am. (2) and (3), Register, June, 1972, No. 198, eff. 1-1-73; am. (2), Register, September, 1973, No. 213, eff. 10-1-73; r. (2) and (3), renum. (1) to be ILHR 55.03, Register, March, 1991, No. 423, eff. 4-1-91.

ILHR 55.04 Exposure and courts. (1) Every theater or assembly hall which accommodates more than 600 persons shall have at least 3 walls abutting on streets, alleys, or open courts.

(2) The wall containing the main entrance to any theater or assembly hall shall abut on a street. The lobby or passageway leading from the main entrance doors to the foyer or auditorium shall be direct and unobstructed and of a minimum width equal to the sum of the widths of the main entrance doors. There shall be no openings from other occupancies to such a corridor or passageway.

(3) The width of every exit court shall be at least 6 feet for an occupancy not exceeding 500 persons, and shall be increased at the rate of one foot per each 500 persons additional. Every such court shall lead to a public thoroughfare, either directly, or through a passageway of equal width, not less than 8 feet high enclosed with unpierced 4-hour fire-resistive walls, ceiling and floor as specified in s.

ILHR 51.04. The floor and ceiling shall be designed for a live load of not less than 150 pounds per square foot. No such court, or passageway shall be used for storage or any other purpose whatsoever.

History: 1-2-56; am. (3), Register, February, 1971, No. 182, eff. 7-1-71; r. and recr. (3) eff. 8-1-71 and exp. 1-1-72; cr. (3) eff. 1-1-72, Register, July, 1971, No. 187.

ILHR 55.05 Separations from other occupancies. A theater or an assembly hall shall be separated from any other occupancy in accordance with s. ILHR 51.08.

History: 1-2-56; am. Register, January, 1961, No. 61, eff. 2-1-61; am. (3), Register, February, 1971, No. 182, eff. 7-1-71; r. and recr. (3) eff. 8-1-71 and

exp. 1-1-72; cr. (3) eff. 1-1-72, Register, July, 1971, No. 187; am. (2), Register, June, 1972, No. 198, eff. 1-1-73; cr. (4), Register, December, 1978, No. 276, eff. 1-1-79; am. (1) and (3), cr. (6), Register, December, 1981, No. 312, eff. 1-1-82; r. and recr. Register, March, 1991, No. 423, eff. 4-1-91.

ILHR 55.06 Capacity. (1) Table 55.06 includes the various types of occupancy within the scope of this section, together with the method to be used in determining the capacity.

(2) No greater number of persons than the number thus established shall be permitted in any theater or assembly hall.

**TABLE 55.06
OCCUPANCY CAPACITY**

Use or Occupancy	Basis of Capacity
(a) Arenas and field houses	4 sq. ft. per person. Use seated areas only.
(b) Assembly halls, with stage	7 sq. ft. per person.
(c) Banquet halls	10 sq. ft. per person.
(d) Churches (auditoriums)	7 sq. ft. per person.
(e) Churches(dining rooms)	10 sq. ft. per person.
(f) Dance halls	10 sq. ft. per person.
(g) Dining rooms	10 sq. ft. per person.
(h) Gymnasiums	6 sq. ft. per person for seated space. 15 sq. ft. per person for unseated space.
(i) Lecture halls	7 sq. ft. per person.
(j) Lodge halls	6 sq. ft. per person for seated space. 15 sq. ft. per person for unseated space.
(k) Skating rinks	45 sq. ft. per person.
(l) Theaters	7 sq. ft. per person.
(m) Theater lobbies	7 sq. ft. per person.
(n) Swimming pool rooms	10 sq. ft. per person for deck area.

(3) The capacity of theaters and theater lobbies must be combined to determine the theater capacity.

(4) (a) Every theater or assembly hall having movable seats shall display a sign stating the maximum number of persons permitted by code.

1. The sign shall be placed in a conspicuous place at the main entrance to each theater or assembly hall.

2. The sign shall have the following wording: "Limit (Number) Persons." The maximum number of persons shall be determined by the capacity as permitted by sub. (2) and s. ILHR 55.12. The lettering shall be white on a dark background. The letters shall be not less than 1½ inches in height and the number shall be not less than 3 inches in height.

History: 1-2-56; cr. (4) (a), Register, July, 1966, No. 127, eff. 8-1-66; r. (2) (k), renum. (2) (l) (m) (n) to be (k) (l) and (m), Register, September, 1973, No. 213, eff. 10-1-73; am. (2)(k), Register, December, 1981, No. 312, eff. 1-1-82; am. (1), cr. (2) (n), Register, January, 1994, No. 457, eff. 2-1-94.

ILHR 55.07 Number and location of exits. (1) (a) Except as provided in par. (b), every floor and balcony of a thea-

ter and assembly hall shall be provided with not less than 2 exits, placed as far apart as practicable and so located that if any exit is blocked, some other exit will still be available from every part.

(b) A balcony accommodating not more than 30 persons in places of worship may be served by one exit.

(2) Where more than 600 persons are accommodated, there shall be at least 3 exits and where more than 1,000 persons are accommodated, there shall be at least 4 exits.

(3) Exits shall be distributed on all sides which adjoin streets, alleys or open courts.

History: 1-2-56; r. and recr. (1), Register, August, 1985, No. 356, eff. 1-1-86.

ILHR 55.08 Type of exits. (1) The required exits from any part of a theater or assembly hall shall be exit doorways, stairways or ramps.

(2) All exits to grade from a higher or lower level shall be stairways or approved ramps. In all theaters and in assembly halls having a capacity of more than 400 persons,

ILHR 55.08

where the exit rise is not more than 3 feet approved ramps shall be used. By approved ramp is meant an incline located inside the building and having a slope of not more than one foot of rise in 8 feet.

(3) Stairway exits shall be interior stairways, or smoke-proof towers as specified in s. ILHR 51.17; except that "B" type fire escapes may be used as exits from balconies for not more than one-half the required exit width, if located against blank walls.

(4) All ramps for barrier-free public access to a building, including nonrequired ramps, shall be inside the building.

(5) Exterior stairs may be used as required exits from exterior decks, for seasonal recreational facilities.

History: 1-2-56; cr. (4) and (5), Register, January, 1994, No. 457, eff. 2-1-94.

ILHR 55.09 Stairways. (1) Every stairway in a theater or assembly hall shall be enclosed as specified in s. ILHR 51.18 with the following exceptions:

(a) Monumental stairways from the main floor to the first balcony need not be enclosed provided the balcony is served by additional enclosed stairways as specified in ss. ILHR 51.02 (11) and 55.07.

(b) 1. In a place of worship, a monumental exit access stairway from the main floor to the first balcony having an occupant load of not more than 30 persons need not be enclosed.

2. In a place of worship, a monumental exit access stairway from the main floor to the first balcony having an occupant load of 31 to 100 persons need not be enclosed provided the balcony is served by an additional open stairway.

3. In a place of worship, stairways from the main floor to the first balcony having an occupant load greater than 100 persons shall be enclosed to the outside as specified in ss. ILHR 51.02 (11) and 51.18.

4. Stairways from the basement to the first floor of a single story place of worship need not be enclosed if they lead directly to the exits.

(2) Stairways and steps which have more than 3 risers shall have handrails on both sides.

(3) Less than 3 risers may be used to elevated altars, podiums and similar areas in churches provided the elevated area is not part of a required exit passageway.

Note: See s. ILHR 51.16 for general stairway requirements.

History: 1-2-56; am. Register, January, 1961, No. 61, eff. 2-1-61; r. and recr. Register, February, 1968, No. 146, eff. 3-1-68; am. (4), Register, February, 1971, No. 182, eff. 7-1-71; am. (2), Register, December, 1974, No. 228, eff. 1-1-75; am. (1) (intro.) and cr. (4) (a), Register, December, 1978, No. 276, eff. 1-1-79; am. (1) (a), Register, December, 1981, No. 312, eff. 1-1-82; r. and recr. (1) (b), Register, October, 1982, No. 322, eff. 11-1-82; r. (2), renum. (3) and (4) to be (2) and (3) and am. (3) Register, August, 1985, No. 356, eff. 1-1-86; r. (3) (a), renum. (3) (b) to be (3), Register, January, 1994, No. 457, eff. 2-1-94.

ILHR 55.10 Exit doors and doorways. (1) Every required single exit doorway shall contain a standard exit door as specified in s. ILHR 51.15, except:

Register, January, 1994, No. 457

(a) No single door or leaf of a double door may be more than 3 feet 6 inches wide and multiple door panels may not be hinged together; and

(b) Rolling, sliding and overhead types of doors or gates may be used as standard exit doors for tenant spaces in malls provided:

1. The door or gate is equipped with exit hardware in accordance with s. ILHR 51.15 (3);

2. The door or gate is counterbalanced such that it can be opened by a force not exceeding 12 pounds, or, if the door or gate is electrically operated, the door is supplied by an emergency power source capable of opening the door or gate;

3. The door or gate is maintained in a fully opened position during the business hours of the tenant space;

4. A security device permitted by s. ILHR 51.15 (3) (e) 2. is not engaged when the tenant space is occupied; and

5. Manual, chain hoist operators for the doors or gates are not employed.

(2) Sills at all exit doorways shall be level and flush with adjacent inside and outside floors and ramps. Where an aisle or passageway leads to an exit from either side of the exit doorway there shall be a level floor space at the doorway extending the width of the aisle and the doorway.

History: 1-2-56; am. (4), Register, August, 1985, No. 356, eff. 1-1-86; r. and recr. Register, March, 1991, No. 423, eff. 4-1-91; r. and recr. (1) (a), r. (1) (b), renum. (1) (c) to be (1) (b), Register, January, 1994, No. 457, eff. 2-1-94.

ILHR 55.11 Exit lights. All required exits, except those in church auditoriums, shall be identified by an approved exit light. Directional exit lights shall be provided to direct occupants to the exits. Exit lights and directional exit lights shall be as specified in s. ILHR 51.15 (5).

History: 1-2-56; r. and recr. Register, December, 1983, No. 336, eff. 1-1-84.

ILHR 55.12 Required exit width. (1) The total required exit width from a building level shall be in accordance with the requirements of ss. ILHR 51.15 (6) and 51.16(3).

(2) In theaters, the width of the front entrance shall be not less than 1/3 of the total required exit width.

History: 1-2-56; am. (1), Register, June, 1972, No. 198, eff. 1-1-73; am. (1), Register, December, 1974, No. 228, eff. 1-1-75.

ILHR 55.13 Seating. All chairs, seats and benches used for the purpose of assembly seating shall conform to the requirements of subch. V, Assembly Seating Facilities, of ch. ILHR 62.

History: 1-2-56; am. Register, January, 1961, No. 61, eff. 2-1-61; r. (2), renum. (3) to (6) to be (2) to (5), Register, January, 1980, No. 289, eff. 2-1-80; r. and recr., Register, December, 1981, No. 312, eff. 1-1-82.

ILHR 55.14 Width of aisles. (1) Aisles having seats on both sides shall not be less than 2 feet 10 inches wide at the beginning and shall increase in width toward the exits at the rate of 1/4 inch per foot of run; or the aisle may have a uniform width not less than the average width of the foregoing calculation. No wall aisle shall be less than 3 feet wide and no other straight aisle shall be less than 3 feet 6 inches wide.

(2) There shall be a cross aisle leading to each required side exit. Cross aisles shall not be less than 6 feet 8 inches back to back of adjacent rows of seats.

ILHR 55.15 Lobbies and foyers. The width of lobbies and foyers shall be determined on the same basis as required for exits in s. ILHR 55.12, but shall in no case be less than 5 feet wide, and shall be so designed and apportioned as to prevent congestion and confusion. Lobbies and foyers which serve as means of egress shall be at least equal in combined width to the required width of the stairways, passageways, aisles or exit doorways leading to them.

ILHR 55.16 Inclines and aisle steps. (1) To overcome any difference in level between courts, corridors, lobbies, passageways or aisles required, or used, in egress from a theater or an assembly hall, approved ramps as specified in s. ILHR 55.08 shall be employed where the difference in elevation does not exceed 3 feet, except that this requirement need not apply to balconies.

(2) Steps in balcony aisles shall extend the full width of the aisle and shall have a uniform rise and run as specified in s. ILHR 55.09. No handrails will be required.

ILHR 55.17 Obstruction. (1) All lobbies, aisles, passageways and doorways shall be kept free from furniture, drapes, display equipment, merchandise, vending machines and other obstructions, and no person except an employe shall be allowed to stand in or occupy, any of the aisles, passageways, corridors or lobbies during any performance or public gathering. Except that patrons may be allowed to wait in a lobby or similar space if such use does not encroach upon the required clear width of the exits. Such waiting shall be restricted to areas separated from the required exit ways by fixed railings not less than 42 inches high. In entrance lobbies only, the exit space may be divided by railings not less than 36 inches high set up in the direction of travel in an approved manner for the regulation of ingress and egress.

(2) A booth or counter for the sale of package merchandise may be placed in the lobby or foyer of a theater where there is sufficient excess space so that the front of the booth or counter can be located not less than 5 feet back of the line marking the width of the lobby or foyer required for exit purposes.

ILHR 55.18 Mirrors and false openings. (1) No mirror shall be placed in any part of a theater or assembly hall used by the public for exit purposes, including lobbies, corridors, stairways, ramps or any other exit facility. Where a mirror is used in an auditorium, it shall be placed flush with the wall and with the bottom at least 7 feet above any floor, balcony, gallery or platform.

(2) No false opening or decorative device giving the appearance of a door or window, where none exists, shall be placed in any part of a theater or assembly hall used by the public.

ILHR 55.19 Decorations. Fabric decorations used in theaters and assembly halls shall be flame proof.

ILHR 55.20 Elevator and vent shafts. Enclosures for elevator and vent shafts shall be of 2-hour fire-resistive construction as specified in s. ILHR 51.04 and all openings

therein protected by fire-resistive doors or windows as specified in s. ILHR 51.047.

History: 1-2-56; am. Register, February, 1971, No. 182, eff. 7-1-71; r. and recr. eff. 8-1-71 and exp. 1-1-72; cr. eff. 1-1-72, Register, July, 1971, No. 187.

ILHR 55.21 Stage separation. (1) In every theater and assembly hall the stage shall be completely separated from the auditorium by a proscenium wall of 4-hour fire-resistive construction as specified in s. ILHR 51.04, except as follows:

(a) In theaters and assembly halls having a capacity not exceeding 500 persons, the proscenium wall shall be of 2-hour fire-resistive construction as specified in s. ILHR 51.04, or better.

(b) In theaters and assembly halls an open stage or platform will be permitted without the proscenium wall separation from the auditorium, provided the stage or platform is not more than 6 feet higher or wider than the proscenium opening.

History: 1-2-56; am. (1) intro par., and (1) (a), Register, February, 1971, No. 182, eff. 7-1-71; r. and recr. (1) intro. para. and (a), eff. 8-1-71 and exp. 1-1-72, and cr. (1) intro. par. and (a), eff. 1-1-72, Register, July, 1971, No. 187.

ILHR 55.22 Proscenium wall. (1) The proscenium wall shall extend from an incombustible foundation, or from the lowest fireproof floor below the stage floor, to the highest adjoining roof, except that where a 4-hour fire-resistive wall is required it shall extend at least 2 feet above the highest adjoining roof.

(2) There shall be not more than 2 openings in the proscenium wall below the level of the auditorium floor, and not more than 2 openings other than the proscenium opening, in the proscenium wall above the level of the auditorium floor, except that in addition to the above openings there may be one opening to provide access through the proscenium wall to the orchestra pit.

(3) Each such opening shall be protected by fire-resistive door assemblies as specified in s. ILHR 51.047.

History: 1-2-56; am. (3), Register, March, 1972, No. 195, eff. 4-1-72; am. (3), Register, August, 1985, No. 356, eff. 1-1-86.

ILHR 55.23 Proscenium curtain. Where a proscenium wall is required for the separation of a stage from an auditorium, the proscenium opening shall be provided with a curtain as approved by the department.

History: 1-2-56; r. and recr. Register, May, 1971, No. 185, eff. 6-1-71.

ILHR 55.24 Automatic smoke outlet. Where a fireproof proscenium curtain is required, or provided, the stage shall be provided with one or more automatic smoke outlets, constructed of metal or other incombustible material, placed near the center and above the highest part of the stage, and having a combined area equal to not less than 8% of the area of the stage floor. Vertical louver openings shall be placed not less than 3 feet above the roof and shall be not less than twice the area of the shaft. The smoke outlet shall be designed and constructed so as to open by gravity, and so as to effectively overcome the effects of neglect, rust, dirt, frost, snow, heat, twisting, or warping of the frame work. The louvers, or dampers in the openings shall be held closed by cotton or hemp cords running to the stage floor close to each stage door. Fusible links, or

ILHR 55.24

other approved heat release devices, shall be inserted in each cord near the outlets.

ILHR 55.25 Stage vestibules. All entrances to the stage shall be vestibuled in such manner as to protect the curtain, scenery, and auditorium from drafts of air.

ILHR 55.26 Footlight trough. The footlight trough shall be made of, or lined with, incombustible material.

ILHR 55.27 Fireproof paint. All stage scenery, properties, curtains, and decorations made of combustible material, and all woodwork in or about the stage, shall be effectively flame-proofed.

ILHR 55.28 Stage accessory rooms. (1) All property rooms and other storage or workrooms shall be built of noncombustible material throughout, and shall be separated from the stage by 4-hour fire-resistive rated construction.

(2) All dressing rooms shall be separated from the stage by 2-hour fire-resistive rated construction. No dressing room or employes' room may be placed more than one story below the grade line, and no dressing room may be placed above or below the auditorium unless separated therefrom by 2-hour fire-resistive rated construction.

History: 1-2-56; am. Register, January, 1994, No. 457, eff. 2-1-94.

ILHR 55.29 Isolation of hazards. (1) GENERAL. (a) Except as provided in par. (b), all fuel-fired heating boilers and furnaces, fuel rooms and breeching, storage vaults for paints, oils and similar combustibles, and other similar hazards in a building shall be enclosed with 3-hour fire-resistive construction as specified in s. ILHR 51.04, except that in case of an assembly hall accommodating not more than 300 persons, an enclosure of 2-hour fire-resistive construction, as specified in s. ILHR 51.04, may be used.

(b) Direct vent sealed combustion chamber appliances and suspended heating equipment as specified in Table 64.21 need not be enclosed with fire-resistive rated construction as specified in par. (a).

(2) PROTECTION OF OPENINGS. All openings shall be protected by fire-rated door assemblies equipped with self-closing devices as specified in s. ILHR 51.047.

(3) WATER HEATING APPLIANCES. All appliances used for heating water which are fired with solid fuel, liquid fuel or gas shall be located in a boiler or furnace room except that gas-fired booster water heaters used exclusively for sanitizing dishes and cooking utensils need not be installed in a fire-resistive enclosure.

History: 1-2-56; r. and recr. (2), Register, August, 1957, No. 20, eff. 9-1-57; am. (1), Register, September, 1959, No. 45, eff. 10-1-59; am. (1), Regis-

ter, February, 1971, No. 182, eff. 7-1-71; r. and recr. (1), eff. 8-1-71, and exp. 1-1-72; cr. (1) eff. 1-1-72, Register, July, 1971, No. 187; am. (1), Register, January, 1980, No. 289, eff. 2-1-80; r. and recr., Register, December, 1981, No. 312, eff. 1-1-82; am. (1), Register, August, 1985, No. 356, eff. 1-1-86.

ILHR 55.30 Lights and lighting. (1) Electric lights shall be used for lighting where electric current is available. No oil lamps or other open lights shall be used in or about any stage containing scenery.

(2) No gas lighting of any kind shall be used on any stage containing scenery, nor in any property room, storage room, scene dock, or fly gallery, except in localities where electricity is not available.

(3) In all theaters and assembly halls, all stairways, passageways, and exit doors shall be properly lighted and shall remain lighted throughout every performance or entertainment and until the audience has left the building.

ILHR 55.32 Sanitary facilities. (1) TOILET ROOMS. All occupancies included under the scope of this chapter shall be provided with separate toilet rooms for each sex. Separate toilet rooms for the employes and the general public need not be provided if the toilet rooms are accessible to both the employes and the general public.

(a) Toilet rooms in connection with stage. In theaters and assembly halls which are equipped for the showing of stage productions, separate toilet rooms for each sex, furnished with at least one water closet and one lavatory, shall be provided in connection with the stage.

(b) Toilet room in connection with motion picture booth. In theaters where motion picture machines are run continuously for a period of more than 2 hours without at least 10 minutes intermission for the motion picture machine operator for each 2-hour period, a toilet room, furnished with one water closet and one lavatory, shall be provided in direct connection with the motion picture booth.

(2) SANITARY FIXTURES. The number of water closets, urinals, lavatories and drinking facilities required for the total number of occupants of each sex shall be determined in accordance with the ratios established in Table 55.32, but in no case shall the ratio of the number of fixtures to number of employes be less than those specified in Table 54.12-B. The total number of occupants will be considered equally divided between men and women unless a different ratio is established and submitted to the department and accepted.

TABLE 55.32
NUMBER OF FIXTURES REQUIRED FOR PATRONS/OCCUPANTS
IN PLACES OF ASSEMBLY

Number of Patrons/Occupants of Each Sex ²	Type of Fixture ¹				
	Water Closets (WC)		Urinals (U)	Drinking Facilities (DF)	Lavatories ³ (L)
Males (M)	Females (F)				
1- 100	1	1	0		
101- 200	1	2	1		
201- 250	1	3	2	One (DF) for each 150 occupants or fraction up to 600	One (L) for each 2 fixtures (WC) or (U) required, or both, or fraction
251- 300	1	4	2		
301- 350	2	5	2		
351- 400	2	6	2		
401- 450	2	7	3		
451- 500	2	8	3		
501- 600	2	9	4		
Over 600	One (WC) for each additional 600 (M) or fraction; one for each additional 275 (F) or fraction		One (U) for each additional 500 (M) or fraction	One additional (DF) for each additional 3000 occupants or fraction	
Taverns and restaurants¹					
	One (WC) for each 75 (M) or fraction; one (WC) for each 30 (F) or fraction		One (U) ² for each 50 (M) or fraction	0	

¹ The ratio of the number of fixtures to the number of occupants accommodated in excess of 300 need be one-half of the figures shown.

² The urinal may be omitted in restaurants which accommodate less than 25 males and do not serve alcoholic beverages.

³ A minimum of one lavatory shall be provided in each toilet room. Where a single toilet room designated as UNISEX is provided, it shall be considered as accommodating no more than 10 employees and 25 occupants.

Note 1: For structures with additions or alterations, the required number of sanitary fixtures shall be the sum of the fixtures required for the existing portion at the time it was constructed plus the fixtures required by this table for the new addition or altered area. At such time as the summation of the addition and alteration area is equal to or greater than 51% of the building area calculated as specified in s. ILHR 50.03 (4) (d), fixtures shall be provided in conformance to this table utilizing the capacity of the entire building.

Note 2: See also rules of the department of health and social services for sanitary fixtures for public swimming places, mobile home parks, camping grounds, camping resorts, recreational camps and educational camps.

Note 3: For mixed-use facilities such as a dinner theater, use the required number for restaurants as specified in s. ILHR 54.12 (2) (d) 2.

History: 1-2-56; r. and recr. Register, December, 1976, No. 252, eff. 1-1-77; am. (2), Register, December, 1977, No. 264, eff. 1-1-78; am. (2), Register, December, 1978, No. 276, eff. 1-1-79; am. (2), Register, December, 1981, No. 312, eff. 1-1-82; am. table, Register, August, 1985, No. 356, eff. 1-1-86; am. (2), r. and recr. table; Register, August, 1993, No. 452, eff. 3-1-94; reprinted to correct error in table, Register, August, 1995, No. 476.

ILHR 55.33 Fire protection systems. (1) SPRINKLER SYSTEMS. Automatic fire sprinkler systems shall be provided as outlined in ss. ILHR 52.01, 52.011, 52.012 and 52.013.

(2) STANDPIPE SYSTEMS. (a) Fire department standpipes. Fire department standpipes shall be provided in all buildings exceeding 60 feet in height.

(b) Dry standpipes. Dry standpipes as specified under s. ILHR 51.21 shall be provided in all buildings, except churches and places of worship, having theaters and assembly halls with an occupancy load of more than 750 persons, unless an approved automatic sprinkler system is installed. First-aid standpipes shall be provided on the stage of every theater and assembly hall where a proscenium curtain is required.

(3) FIRE EXTINGUISHERS. Portable fire extinguishers shall be provided and maintained as specified in s. ILHR 51.22.

History: 1-2-56; r. and recr. Register, December, 1976, No. 252, eff. 1-1-77; am. (2), Register, December, 1978, No. 276, eff. 1-1-79; emerg. r. and recr. (2), eff. 9-6-86; r. and recr. (2), Register, November, 1986, No. 371, eff. 12-1-86; r. and recr. Register, March, 1991, No. 423, eff. 4-1-91; am. (2) (b), Register, January, 1994, No. 457, eff. 2-1-94.

ILHR 55.39 Use of "safety-base" film. (1) The requirements of ss. ILHR 55.40 through 55.49 will not apply in buildings in which movie projectors are used with "safety-base" film provided the conditions of pars. (a) and (b) are met.

(a) The owner shall submit an affidavit to the department stating that "safety-base" film only will be used in all movie projectors.

(b) The affidavit shall be signed by the owner and the signature notarized.

Note: For definition of "owner," see s. 101.01 (2) (i), Stats.

History: Cr. Register, April, 1971, No. 184, eff. 5-1-71.

ILHR 55.40 Motion picture machine booths, general. Every motion picture machine using nitro-cellulose film, together with all auxiliary and associated equipment, shall be enclosed in a booth so arranged as to permit the operator to walk freely on either side and in back of the machine. At least 48 square feet in area shall be provided for one machine, and 24 square feet additional for each machine over one. The ceiling height shall be not less than 7 feet.

ILHR 55.41 Construction of booth. The floor of each motion picture booth shall be constructed of masonry or reinforced concrete, or shall be covered with not less than 2 inches of fire-resistive material. The walls and ceilings

ILHR 55.41

shall be not less than 2-hour fire-resistive construction as specified in s. ILHR 51.04.

History: 1-2-56; am. Register, February, 1971, No. 182, eff. 7-1-71; r. and recr. eff. 8-1-71 and exp. 1-1-72; cr. eff. 1-1-72, Register, July, 1971, No. 187.

ILHR 55.42 Doors. (1) The door to the booth shall be not larger than necessary for the safe and proper use and maintenance of the booth and equipment, but in no case shall its dimensions be smaller than 2 feet by 5 feet or larger than 3 feet by 7 feet. The top of the door shall be not less than 12 inches below the ceiling of the booth.

(2) The door shall be a tight-fitting self-closing fire door as specified in s. ILHR 51.047, shall open outwardly, and shall not be equipped with any latch.

History: 1-2-56; am. (2), Register, February, 1971, No. 182, eff. 7-1-71; r. and recr. (2) eff. 8-1-71 and exp. 1-1-72; cr. (2) eff. 1-1-72, Register, July, 1971, No. 187.

ILHR 55.43 Openings. (1) Two openings for each motion picture machine may be provided. The one for the operator's view shall not be larger than 200 square inches and the one for projection not larger than 120 square inches. Where separate stereopticon, spot, or floodlight machines are installed, not more than one opening shall be provided for each such machine for both the operator's view and the projection of light. All such openings shall be as small as practicable.

(2) Each opening shall be provided with an approved gravity shutter set into guides not less than one inch at sides and bottom, and overlapping the top of the opening by at least one inch when closed. Shutters shall be not less than No. 10 U.S. Standard gauge iron or equivalent, arranged to move freely in guides of like material and thickness bolted to the wall. Each shutter shall be suspended by a cord and shall be so arranged that closing is by gravity action. A fusible link shall be provided in the cord over each shutter. A link shall also be provided over each magazine, which on operating will close all shutters. A manual release shall be provided near each exit door by which all shutters can be closed simultaneously. Shutters shall not be blocked open nor held open in any manner except by the harness of cords and links as herein described.

ILHR 55.44 Ventilation of booths. Every booth or room housing projection, sound or any other equipment which vitiate good air conditions or requires the attention of an attendant shall be ventilated as required by s. ILHR 64.05. Fresh air intakes in booth walls, except for outside air, shall not exceed 72 square inches in area, nor be more than 3 inches above the floor. They shall be equipped with automatic shutters as described for projection openings.

History: 1-2-56; r. and recr. Register, October, 1967, No. 142, eff. 11-1-67; am. Register, December, 1976, No. 240, eff. 1-1-76.

ILHR 55.45 Relief outlets. Every booth or room housing projection, sound or other equipment which constitutes a fire, smoke, explosion or fuming hazard shall be equipped with one or more gravity outlets extending upward from the ceiling through the roof. The net area of such gravity relief outlets shall be equal to one per cent of the room or booth floor area, but not less than 12 inches in diameter. Such outlets shall be constructed as sheet metal ducts

Register, August, 1995, No. 476

having double walls with inch air space between, or better construction. Where a relief outlet passes through, or is within 18 inches of any combustible construction, or passes through any other occupancy, approved masonry flues as specified for chimneys, s. ILHR 64.46, shall be used. The relief outlets shall be equipped, at the booth or room outlets, with a gravity shutter which will open automatically under excessive heat conditions. The automatic shutter shall normally be tightly closed where mechanical exhaust ventilation is required in the same room.

ILHR 55.46 Electric wiring. All lights and electric wiring, also motors, arc lamps, rheostats, and associated electrical equipment shall conform in type and arrangement to the requirements of the Wisconsin state electrical code, vol. 2, ch. ILHR 16.

ILHR 55.47 Motion picture machine. Every projection machine shall be securely fastened to the floor, and together with sound head and other associated equipment, shall be of safe design. No part of the film shall be outside of a tight metal enclosure during projection, and the feed and take-up reels shall have riveted, flanged, or welded joints. A shutter shall be placed in front of the condenser, arranged so as to be closed except when held open by the operator, or by some mechanical device which will assure immediate closure when operation of the machine is stopped.

ILHR 55.48 Fire protection in booth; care and use of film. (1) All shelves, furniture and fixtures shall be incombustible. No combustible material shall be permitted to be within such booth, except films and film cement not exceeding one pint. Smoking is prohibited. Heating equipment in booths shall be limited to steam, warm air, hot water or electric convection heaters with low surface temperature elements. Radiators shall be protected by inch mesh screen with the top sloped at least 45° to the horizontal.

(2) Films not in process of rewinding, examination or projection shall be kept in metal containers. Up to 40 pounds of film may be kept in the projection booth in interstate commerce commission shipping containers. Excess over 40 pounds shall be kept in an approved film cabinet, but the total quantity of film in any booth shall not exceed 125 pounds.

(3) Rewinding in the projection booth is prohibited unless done in an approved enclosed type rewind machine. An approved can with self-closing hinged cover shall be provided for scrap film.

(4) Up to 125 pounds of film in addition to that permitted in a projection booth, may be kept in containers as specified above, providing this excess is in a rewind room of not less than 80 square feet area, and of the construction specified in ss. ILHR 55.41 and 55.42. Such room shall have a vent of at least 50 square inches in area extending upward to the outside of the building, with a clearance to combustible material conforming to s. ILHR 55.45. Furniture and heating shall be as for the projection booth, and smoking is prohibited.

Note: The weight of a 1000 foot roll of 35 millimeter film is assumed as 5 pounds.

ILHR 55.49 Portable booths. (1) Every portable booth used to confine the fire hazards of a motion picture machine shall be of approved design conforming to the requirements for permanent booths.

(2) Every booth used for more than 3 consecutive performances in one location will be considered a permanent booth.

ILHR 55.50 Maintenance. All theaters and assembly halls, and all parts thereof, shall be kept clean, sanitary and in good repair.

Chapter ILHR 56

SCHOOLS AND OTHER PLACES OF INSTRUCTION

Subchapter I — General Requirements

ILHR 56.001	Scope
ILHR 56.01	Maximum height
ILHR 56.02	Class of construction limitations
ILHR 56.03	Protection of basement levels
ILHR 56.05	Exterior wall openings
ILHR 56.06	Exits
ILHR 56.07	Required exit width
ILHR 56.08	Exit doors
ILHR 56.09	Passageways
ILHR 56.10	Enclosure of stairways and shafts
ILHR 56.13	Assembly seating
ILHR 56.14	Seats, desks and aisles
ILHR 56.145	Occupancy separations
ILHR 56.15	Isolation of hazards
ILHR 56.16	Sanitary facilities
ILHR 56.17	Lighting
ILHR 56.19	Fire alarms
ILHR 56.20	Fire protection systems
ILHR 56.21	Public school inspections

Subchapter II — Relocatable Classrooms

ILHR 56.30	Scope
ILHR 56.31	Definitions
ILHR 56.32	General
ILHR 56.33	Anchoring requirements
ILHR 56.34	Exit doors and exit lights
ILHR 56.35	Class of construction separations
ILHR 56.36	Barrier-free requirements
ILHR 56.37	Sanitary facilities

ILHR 56.38	Fire alarms
------------	-------------

Subchapter III — Mobile Training Classrooms

ILHR 56.40	Scope
ILHR 56.41	Definitions
ILHR 56.42	General
ILHR 56.43	Exit doors and exit lights
ILHR 56.44	Barrier-free requirements
ILHR 56.45	Sanitary facilities
ILHR 56.46	Fire alarms

Subchapter IV — Life-Safety Requirements for Existing Schools

ILHR 56.50	Scope
ILHR 56.51	Purpose
ILHR 56.52	Definitions
ILHR 56.53	Schools constructed prior to 1930
ILHR 56.54	Schools constructed between January 1, 1930, and January 1, 1950
ILHR 56.56	Extension of time for compliance
ILHR 56.57	Failure to comply
ILHR 56.58	Life-safety evaluation procedures
ILHR 56.59	Plan of school
ILHR 56.60	Plans and specifications
ILHR 56.61	Approval of alternate life-safety plan
ILHR 56.62	Re-evaluation
ILHR 56.63	Life-safety standards
ILHR 56.64	Stairway smoke-enclosure
ILHR 56.65	Stairway smoke cut-offs
ILHR 56.66	Horizontal separations

Note: Chapter Ind 56 was renumbered to be ch. ILHR 56, effective January 1, 1984. Sections ILHR 56.50 to 56.57 were created as emergency rules effective 7-3-89. Sections ILHR 56.60 to 56.70 were created as emergency rules effective 9-6-89.

Subchapter I — General Requirements

ILHR 56.001 Scope. The requirements of this chapter shall apply to all public and private schools, universities, colleges, academies, seminaries, libraries, museums and art galleries; including all buildings or parts of buildings used primarily for instructional purposes. This chapter does not apply to those types of art galleries where art work is intended for sale, dance studios or schools, nonacademic-music studios or schools, nonacademic-art studios or schools, self-defense schools, or other similar nonacademic training occupancies; such occupancies shall be regulated by the provisions of ch. ILHR 54.

History: 1-2-56; am. Register, May, 1971, No. 185, eff. 6-1-71; am. Register, December, 1977, No. 264, eff. 1-1-78; am. Register, January, 1980, No. 289, eff. 2-1-80; am. Register, March, 1991, No. 423, eff. 4-1-91.

ILHR 56.01 Maximum height. (1) Buildings occupied primarily by pupils up to and including grade 12 shall not exceed 4 stories or 48 feet in height.

(a) *Exception.* Buildings provided with complete automatic sprinkler or automatic smoke detection systems, occupied primarily by students of grades 9 through 12, shall be no more than 6 stories or 72 feet in height.

Note: Also see requirements for classes of construction.

History: 1-2-56; r. Register, May, 1971, No. 185, eff. 6-1-71; cr. Register, September, 1973, No. 213, eff. 10-1-73.

ILHR 56.02 Classes of construction limitations. (1) Buildings within the scope of this chapter may not exceed the number of stories and height limits as specified in Table 56.02-1 based upon the type of construction utilized.

(2) Those portions of buildings used as auditoriums, gymnasiums, field houses or assembly halls shall conform with the construction limitations specified in s. ILHR 55.02.

ILHR 56.02

Table 56.02-1
MAXIMUM NUMBER OF STORIES

Class of Construction	Sprinklered ^a		Nonsprinklered	
	Height (in feet)	Number of Stories	Height (in feet)	Number of Stories
Type 1	No limit	No limit	60 ^b	No limit
Type 2	95	9	60 ^b	8
Type 3	85	3	60 ^b	2
Type 4	85	3	60 ^b	2
Type 5A	60	3	50	2
Type 5B	50	3	40	2
Type 6	60	3	50	2
Type 7	50	2	40	1
Type 8	45	2	35	1

- a - An automatic fire sprinkler system designed and installed in accordance with s. ILHR 51.23 is provided throughout the entire building.
- b - Section ILHR 52.01 requires the installation of sprinklers for buildings more than 60 feet in height.

History: 1-2-56; r. and recr. Register, May, 1971, No. 185, eff. 6-1-71; am. (1) and (2) and r. and recr. (3), Register, June, 1972, No. 198, eff. 1-1-73; cr. (4), Register, September, 1973, No. 213, eff. 10-1-73; r. and recr. (4) (a) 1., Register, May, 1974, No. 221, eff. 6-1-74; am. (4) (a) 1., Register, December, 1978, No. 276, eff. 1-1-79; emerg. am. (1) to (3), renum. (4) to (5) and r. and recr. (5) (a) and (b), cr. (4), eff. 9-6-86; am. (1) to (3), renum. (4) to be (5) and r. and recr. (5) (a) and (b), cr. (4), Register, November, 1986, No. 371, eff. 12-1-86; r. and recr. Register, March, 1991, No. 423, eff. 4-1-91.

ILHR 56.03 Protection of basement levels. (1) GENERAL REQUIREMENT. Buildings with basements shall at such levels be protected with an approved automatic sprinkler system as specified in s. ILHR 51.23 or an approved automatic smoke detection system, as specified in s. ILHR 51.245, either of which shall be electrically connected to the required fire alarm system.

Note: See s. ILHR 51.245 for additional requirements pertaining to smoke detectors.

Note: See ss. ILHR 52.012 (1) and 52.02 for additional requirements pertaining to basements.

(2) RETROACTIVITY. Existing buildings which do not conform to the requirements specified in sub. (1) on or after January 1, 1983 shall comply with the following:

(a) The corridors in the basement shall be protected by an approved smoke detection system.

(b) Smoke detection systems shall be installed in accordance with NFPA No. 72E or NFPA No. 74; but in no case shall smoke detectors be spaced more than 30 feet apart on center or more than 15 feet from any wall.

Note: See s. ILHR 51.01 for definitions of "automatic" and "basement."

History: Cr. Register, January, 1980, No. 289, eff. 2-1-80; cr. (2), eff. 1-1-83, am. (1), Register, December, 1981, No. 312, eff. 1-1-82; am. (2) (b), Register, March, 1991, No. 423, eff. 4-1-91; correction in (2) (intro.) made under s. 13.93 (2m) (b) 14, Stats., Register, March, 1991, No. 423.

ILHR 56.05 Exterior wall openings. (1) ONE-STORY BUILDINGS. One-story buildings with no floor levels below the first floor need not be provided with exterior wall openings other than required exits.

(2) MULTI-STORY BUILDINGS. (a) Except as provided in par. (b), buildings more than one story shall be provided with fire department access openings as specified in s. ILHR 52.02 (2).

(b) Fire department access openings are not required provided the building is protected throughout by an auto-Register, January, 1994, No. 457

matic fire sprinkler system and that system is connected to the required fire alarm system.

History: 1-2-56; am. Register, January, 1961, No. 61, eff. 2-1-61; r. and recr., Register, May, 1971, No. 185, eff. 6-1-71; r. and recr., Register, September, 1973, No. 213, eff. 10-1-73; r. (2) and renum. (3) to be (2), Register, January, 1980, No. 289, eff. 2-1-80; r. and recr. Register, June, 1983, No. 330, eff. 7-1-83.

ILHR 56.06 Exits. (1) TOTAL NUMBER OF EXITS. The total number of exits from each floor level and each building shall be determined on the basis of total aggregate exit width and distances to exit. Each building and each floor level shall be provided with at least 2 exits.

(2) TYPE OF EXITS. At least 2 exits from all floor levels shall lead directly to grade through standard exit doors, stairs, interior enclosed stairs, smokeproof stair towers, fire-rated exit corridors, passageways, or ramps. One-half of the remaining required exits may be horizontal exits or fire escapes. Fire escapes are prohibited as required exits in pre-school, elementary, middle, and high schools. In no case will fire escapes be permitted above the second story.

(a) *Standard exit doors.* Standard exit doors shall be provided in accordance with the requirements of ss. ILHR 51.15 and 56.08.

(b) *Stairs.* Stairs shall conform to the requirements of ss. ILHR 51.16 to 51.166, except that handrails shall be provided on both sides, and no closets or rooms may be placed under a stairway or landing.

(c) *Interior enclosed stairs and smokeproof stair towers.* Interior enclosed stairs and smokeproof stair towers shall conform with ss. ILHR 51.18 and 51.17, respectively.

(d) *Fire-rated exit corridors.* All rated exit corridors required to satisfy limitations on exit distance shall be of not less than one-hour fire-resistive construction, unless the fire-resistive ratings indicated in Table 51.03-A for required exit corridor enclosures are more restrictive.

(e) *Exit ramps.* The minimum width of exit ramps shall be determined in accordance with the requirements of s. ILHR 56.07. The minimum width shall be not less than 3 feet 8 inches. Exit ramps, other than those required for the physically disabled, shall have a slope not exceeding 1:8. Ramp slopes exceeding 1:12 shall be provided with handrails. Ramps shall be provided with a slip-resistant finish. Ramps shall be provided from areas noted under sub. (3)

(c) involving a change of elevation between floor levels or platforms not exceeding 3 feet.

(f) *Fire escapes.* Fire escapes shall be constructed in accordance with the requirements of s. ILHR 51.20.

(g) *Horizontal exits.* Horizontal exits shall be constructed in accordance with the requirements of s. ILHR 51.19 and shall be of at least 4-hour rated construction.

(3) **LOCATION OF EXITS.** (a) *Exit distance.* 1. Travel distance to an exterior exit door, a required fire-resistive rated exit corridor, interior enclosed stairs, smokeproof stair tower, horizontal exit, or fire escape, from any point in a building accessible to the public, shall not exceed 150 feet.

2. Where an approved automatic fire sprinkler system is provided throughout the building, an increase in exit distance to 200 feet will be permitted.

3. Building service areas, including pipe chases and tunnels, catwalks, ducts or similar spaces not accessible to the public, shall not exceed 300 feet from an exit.

(b) *Distribution of exits.* All exits shall be distributed to provide the best possible means of egress. The exits shall be located so that in case any exit is blocked at any point some other exit is accessible through public passageways at all times. Locked security gates and doors shall not be placed so as to block required exit passageways or create dead-end corridors.

(c) *Auditorium, gymnasium and field house exits.* This rule shall apply only to auditoriums, gymnasiums and field houses which have a capacity exceeding 600 persons. One-half of the required exits shall discharge directly to a street, alley or open court connected with a street, unless a 2-hour rated exit corridor is provided, wide enough to accommodate one-half of the occupants, which extends from the interior wall of the auditorium, gymnasium or field house to an exterior exit. The remaining required exits shall discharge directly to the exterior or to a public passageway which permits 2 directions of travel to the exits at the exterior of the building. The exiting shall be direct and unobstructed.

(4) **CLASSROOM EXITS.** (a) *Scope.* This subsection shall apply only to rooms for formal instruction of students with direct teacher supervision. This subsection does not apply to other parts of schools or places of instruction, including but not limited to, cafeterias, instructional media centers, gymnasiums, industrial arts shops, laboratories, or locker rooms.

(b) *Exits serving 50 persons or less.* At least one exit shall be provided from all rooms serving a capacity of 50 persons or less. The exit shall discharge directly to the exterior of the building or to a public passageway which permits 2 directions of travel to the exterior.

(c) *Exits serving 51-100 persons.* At least 2 exits shall be provided from all rooms serving a capacity of 51-100 persons. One exit shall discharge directly to the exterior of the building or to a public passageway which permits 2 directions of travel to the exterior. One exit may discharge through an adjacent room provided a clear passageway is maintained from the connecting door to a required exit serving the adjacent room.

(d) *Exits serving more than 100 persons.* At least 2 exits shall be provided from all rooms serving a capacity of more than 100 persons. The exits shall discharge directly to grade or to a public passageway which permits 2 directions of travel to the exterior.

(5) **WIDTH OF EXITS.** The total required exit width shall be provided in accordance with the requirements of s. ILHR 56.07.

(6) **EXIT LIGHTS.** All required exits indicated in s. ILHR 56.06 (2), and exits from areas serving a capacity of more than 100 persons, shall be identified by an approved exit light. Directional exit lights shall be provided to direct occupants to an exit. Exit lights and directional exit lights shall be as specified in s. ILHR 51.15 (5).

History: 1-2-56; am. (1), cr. (1) (a), Register, September, 1959, No. 45, eff. 10-1-59; am. Register, January, 1961, No. 61, eff. 2-1-61; r. and recr. (1) (a), renum. (2) to be (3), (3) to be (4), (4) to be (5), (5) to be (6) and (6) to be (7), and cr. (2) and (8), Register, May, 1971, No. 185, eff. 6-1-71; r. and recr., Register, September, 1973, No. 213, eff. 10-1-73; am. (1) (a) 2., Register, December, 1974, No. 228, eff. 1-1-75, r. and recr. Register, December, 1975, No. 240, eff. 1-1-76; am. (2), intro. and cr. (2) (g), Register, December, 1976, No. 252, eff. 1-1-77; am. (6), Register, December, 1983, No. 336, eff. 1-1-84; emerg. am. (3) (a), eff. 9-6-86; am. (3) (a), Register, November, 1986, No. 371, eff. 12-1-86; am. (2) (b) and (c), Register, March, 1991, No. 423, eff. 4-1-91; am. (2) (b), renum. (4) (a) to (c) to be (4) (b) to (d), cr. (4) (a), Register, January, 1994, No. 457, eff. 2-1-94.

ILHR 56.07 Required exit width. (1) The total required exit width from a building level shall be in accordance with the requirements of ss. ILHR 51.15 (6) and 51.16 (3).

(2) The capacity of educational buildings or any individual story or section thereof for the purpose of determining exits shall be the maximum capacity designated on approved plans.

(a) The maximum capacity shall not exceed the requirements of par. (b).

(b) The maximum capacities of all rooms and spaces as listed below shall be determined on the basis of the minimum net square feet area per person shown for that occupancy unless otherwise designated on the plans.

	Minimum Square Feet Per Occupant
1. Academic classrooms — Regular	20
2. Administrative and office space	75
3. Arts, crafts, drafting	30
4. Bleachers (one seat per 18 inches of bench length)	
5. Gymnasiums, field houses, auditoriums, theatres, lecture rooms (fixed seating)	6
6. Gymnasiums, field houses, multipurpose rooms, cafeterias, study halls, commons and other level floor areas with nonfixed individual seating	10
7. Home economics, business education	30
8. Industrial arts-vocational shop	50
9. Laboratories-Science (fixed lab. tables)	30
10. Libraries and resource centers	20
11. Museums and art galleries	40
12. Music	
a. Vocal	10
b. Instrumental	20
13. Special education	
a. Mentally retarded, physically handicapped, etc.	35

History: 1-2-56; r. and recr. (3), Register, May, 1971, No. 185, eff. 6-1-71; am. (1), Register, June, 1972, No. 198, eff. 1-1-73; r. and recr., Register, September, 1973, No. 213, eff. 10-1-73; r. and recr. (1), r. (2), (3) and (4), renum. (5) to be (2), Register, December, 1974, No. 228, eff. 1-1-75.

ILHR 56.08

ILHR 56.08 Exit doors. (1) STANDARD EXIT DOORS. Exit doors shall comply with the requirements of s. ILHR 51.15. The aggregate width of exit doors shall be as required in s. ILHR 56.07. No single door or leaf of a double door shall be more than 42 inches wide.

(2) CLASSROOM EXIT DOOR WIDTH AND SWING. (a) Classroom doors serving 50 persons or less. Classroom doors serving classrooms with a capacity of 50 persons or less shall be not less than 3 feet 0 inches in width. The doors may swing into the classroom.

(b) Classroom doors serving more than 50 persons. Classroom doors serving classrooms with a capacity of more than 50 persons shall be standard exit doors and shall swing outward toward the means of egress.

(3) ALL OTHER EXIT DOORS. Doors serving areas other than classrooms shall comply with s. ILHR 54.06.

History: 1-2-56; r. and recr. Register, December, 1975, No. 240, eff. 1-1-76; am. (2) and cr. (3), Register, December, 1978, No. 276, eff. 1-1-79; am. (1) and (2) (b), r. (2) (c), Register, January, 1980, No. 289, eff. 2-1-80.

ILHR 56.09 Passageways. (1) The minimum unobstructed width of corridors and passageways which are used by the public or by the occupants generally, shall be determined in the same manner as specified for stairways in s. ILHR 56.07, but in no case shall this width be less than 4 feet. Corridors and passageways serving as a means of egress shall be at least equal in combined width to the required width of the stairways or passageways leading to them.

History: 1-2-56; r. (1) and renum. (2) to be (1), Register, May, 1971, No. 185, eff. 6-1-71.

ILHR 56.10 Enclosure of stairways and shafts. All stairways and shafts shall be enclosed in accordance with s. ILHR 51.02 (11).

History: Cr. Register, March, 1991, No. 423, eff. 4-1-91.

ILHR 56.13 Assembly seating. All assembly seating in auditoriums, gymnasiums, field houses and other large group occupancy areas shall comply with the requirements of subch. V, Assembly Seating Facilities, of ch. ILHR 62. Where any area of a building in this category has a stage loft in excess of 25 feet 0 inches in height above the stage floor and is equipped with permanent or movable scenery, it shall comply with ss. ILHR 55.21 through 55.30.

History: 1-2-56; r. and recr., Register, May, 1971, No. 185, eff. 6-1-71; r. and recr., Register, December, 1981, No. 312, eff. 1-1-82.

ILHR 56.14 Seats, desks and aisles. (1) Seats, desks, tables and other loose equipment need not be fastened to the floor or to each other provided that any seating arrangement use, will maintain during occupancy, free and unobstructed intermediate, cross and wall aisles leading to the exit.

(a) Stepped floors or tiered platforms shall be no less than 48 inches in width to permit the above arrangement.

(b) Seats, desks, tables and other loose equipment used in instructional occupancies shall be of a durable type of construction to assure safety and stability.

History: 1-2-56; r. and recr., Register, May, 1971, No. 185, eff. 6-1-71. Register, January, 1994, No. 457

ILHR 56.145 Occupancy separations. Occupancies within the scope of this chapter shall be separated from other occupancies or uses in accordance with s. ILHR 51.08.

History: Cr. Register, March, 1991, No. 423, eff. 4-1-91.

ILHR 56.15 Isolation of hazards. (1) GENERAL. Except for direct vent sealed combustion chamber appliances and suspended heating equipment as specified in Table 64.21, all fuel-fired heating boilers and furnaces, power boilers, fuel rooms, and breeching, storage vaults for paints, oils and similar combustibles, fuel-fired kilns and dryers, and other similar hazards, shall be enclosed as follows:

(a) In every building more than one story in height, the enclosure shall be not less than 4-hour fire-resistive rated construction as specified in s. ILHR 51.04.

(b) In one-story buildings, the enclosure shall be not less than 2-hour fire-resistive rated construction as specified in s. ILHR 51.04.

(2) PROTECTION OF OPENINGS. All openings shall be protected by fire-rated door assemblies equipped with self-closing devices as specified in s. ILHR 51.047.

History: 1-2-56; am. Register, February, 1971, No. 182, eff. 7-1-71; r. and recr. eff. 8-1-71 and exp. 1-1-72; cr. eff. 1-1-72, Register, July, 1971, No. 187; r. and recr., Register, January, 1980, No. 289, eff. 2-1-80; am. (1) (intro.), Register, December, 1981, No. 312, eff. 1-1-82; am. (1) (intro.), Register, August, 1985, No. 356, eff. 1-1-86.

ILHR 56.16 Sanitary facilities. (1) TOILET ROOMS. Separate toilet rooms for each sex shall be provided for all occupancies included under the scope of this chapter. The toilet rooms shall be completely enclosed and arranged to ensure privacy.

(2) SEX DESIGNATION. Where separate toilet rooms are required by this code, each toilet room shall be clearly marked for which it is designated as specified in s. ILHR 52.52.

(3) SANITARY FIXTURES. (a) The number of sanitary fixtures shall be determined by the number of persons of each group or combination of groups using Table 56.16. The number of persons in each group shall be designated on the plans.

(b) When fixtures required for a designated group are not available to another designated group, the number of fixtures shall be provided according to the ratio indicated in Table 56.16 and independent of the number or ratio of fixtures provided for another group.

(c) Where a theater is a part of an educational facility the requirements for the number of fixtures to be provided shall be determined as specified in Table 56.16 for large group areas.

TABLE 56.16
NUMBER OF PERSONS BY GROUP FOR EACH TYPE OF SANITARY FIXTURE FOR OCCUPANTS¹

Type of Fixture	Number of Persons per Fixture by Designated Group ²				
	Grades K-6	Grades 7-12	Post High School	Large Group Area	Administrative Area
Water Closets (WC) (F).....	35	50	100	200	10
Water Closets (WC) (M).....	75	100	200	300	15
Urinals (U) (M) ³	35	50	100	150	40
Lavatories (L) ⁴	75	100	100	150	15
Drinking Fountains (DF).....	40	50	50	150	100

¹ For the purposes of this table, please refer to the appropriate occupancy chapter. Where a single toilet room designated as UNISEX is provided, it shall be considered as accommodating no more than 10 employees and 25 occupants.

² Example: For grades K-6, one (WC) for each 35 (F), one (WC) for each 75 (M) and one (U) for each 35 (M) need to be provided.

³ Section ILHR 52.60 (2) (b) allows only stall-type urinals in schools for grades K-8.

⁴ A minimum of one (L) and one (WC) shall be provided in each toilet room.

Note: For structures with additions or alterations, the required number of sanitary fixtures shall be the sum of the fixtures required for the existing portion at the time it was constructed plus the fixtures required by this table for the new addition or altered area. At such time as the summation of the addition and alteration area is equal to or greater than 51% of the building area calculated as specified in s. ILHR 50.03 (4) (d), fixtures shall be provided in conformance to this table utilizing the capacity of the entire building.

History: 1-2-56; am. (2), (3), (4) and (4) (a), Register, September, 1959, No. 45, eff. 10-1-59, r. and recr. (4), intro. par., Register, December, 1967, No. 144, eff. 1-1-68; r. and recr. Register, May 1971, No. 185, eff. 6-1-71; am. (1) (intro.), r. and recr. (1) (a), cr. (1) (b), Register, September, 1973, No. 213, eff. 10-1-73; renum. (1) to be (2) and cr. (1), Register, December, 1976, No. 252, eff. 1-1-77; am. (1), renum. (2) to be (3) and am., cr. (2), table, Register, August, 1993, No. 452, eff. 3-1-94.

ILHR 56.17 Lighting. (1) ELECTRIC LIGHTING. Every class, study or recitation room shall be equipped with sufficient electrical lighting units to maintain the illumination required in ch. Ind 19, Illumination Code.

(2) GENERAL. All other rooms and spaces in school buildings shall be equipped with means for supplying electric illumination in the quantity required for the purpose for which the room or space is used. All electrical work shall be installed to conform to the requirements of the Wisconsin state electrical code, vol. 2, ch. ILHR 16.

History: 1-2-56; am. Register, January, 1961, No. 61, eff. 2-1-61; cr. (3), Register, November, 1963, No. 95, eff. 12-1-63; am. (3) (c), Register, February, 1971, No. 182, eff. 7-1-71; r. and recr. Register, May, 1971, No. 185, eff. 6-1-71.

ILHR 56.19 Fire alarms. Every building shall be provided with a proper alarm system complying with s. ILHR 51.24.

History: 1-2-56; am. Register, May, 1971, No. 185, eff. 6-1-71.

ILHR 56.20 Fire protection systems. (1) SPRINKLER SYSTEMS. Automatic fire sprinkler systems shall be provided as outlined in ss. ILHR 52.01, 52.011, 52.012 and 52.013.

(2) STANDPIPE SYSTEMS. (a) Fire department standpipes. Fire department standpipes shall be provided in all buildings exceeding 60 feet in height.

(b) Dry standpipes. Dry standpipes shall be provided in all buildings 3 stories or more in height, unless an approved automatic sprinkler system is installed.

(3) FIRE EXTINGUISHERS. Portable fire extinguishers shall be provided and maintained as specified in s. ILHR 51.22.

History: Cr. Register, December, 1976, No. 252, eff. 1-1-77; emerg. r. and recr. (2), eff. 9-6-86; r. and recr. (2), Register, November, 1986, No. 371, eff. 12-1-86; r. and recr. Register, March, 1991, No. 423, eff. 4-1-91.

ILHR 56.21 Public school inspections. (1) Maintenance inspections of public schools, as required by s. 101.12 (6)

(a), Stats., shall be conducted by authorized employees of the department except that 1st class cities may perform these inspections, to determine whether each school complies with the following:

(a) The applicable requirements of chs. ILHR 50 to 64, including the life-safety requirements in subch. IV of this chapter;

(b) The applicable requirements in ch. 145, Stats., relating to plumbing and fire protection systems; and

(c) The requirements in ss. 120.12 (5) and 121.02 (1) (i), Stats., to have an annual building maintenance schedule and to be safe and healthful.

(2) "Applicable", as used in sub. (1) (a) and (b), means the requirements in effect at the time of construction of the building or building addition, and also means the retroactive requirements, such as the life-safety requirements for schools constructed prior to January 1, 1950, in subch. IV of this chapter.

History: Cr. Register, October, 1992, No. 442, eff. 11-1-92.

Subchapter II — Relocatable Classrooms

ILHR 56.30 Scope. This part provides the minimum requirements for the design and construction of relocatable classrooms as defined in s. ILHR 56.31.

History: Cr. Register, December, 1978, No. 276, eff. 1-1-79.

ILHR 56.31 Definitions. "Relocatable classrooms" mean mobile home type structures located on permanent foundations and equipped and used for educational instruction.

History: Cr. Register, December, 1978, No. 276, eff. 1-1-79.

ILHR 56.32 General. Relocatable classrooms shall comply with the applicable sections of this code except as otherwise specified in this part.

History: Cr. Register, December, 1978, No. 276, eff. 1-1-79.

ILHR 56.33 Anchoring requirements. Provisions acceptable to the department for the prevention of overturning of the relocatable classroom as a result of wind pressure shall be made.

ILHR 56.33

Note: The department accepts provisions such as ground anchors installed in accordance with ANSI standard A 119.1.

History: Cr. Register, December, 1978, No. 276, eff. 1-1-79.

ILHR 56.34 Exit doors and exit lights. (1) EXIT DOORS. Exit doors shall be at least 3 feet 0 inches in width.

(2) EXIT LIGHTS. Illuminated exit lights are not required in relocatable classrooms.

History: Cr. Register, December, 1978, No. 276, eff. 1-1-79.

ILHR 56.35 Class of construction separations. Relocatable classrooms connected to another building shall be separated by class of construction separations as specified in s. ILHR 51.02 (20).

History: Cr. Register, December, 1978, No. 276, eff. 1-1-79; am. Register, December, 1983, No. 336, eff. 1-1-84.

ILHR 56.36 Barrier-free requirements. An accessible entrance, interior circulation, and toilet facilities for people with disabilities need not be provided for a relocatable classroom if the courses taught in the relocatable classroom are available in accessible facilities at the same school site.

History: Cr. Register, December, 1978, No. 276, eff. 1-1-79; am. Register, January, 1994, No. 457, eff. 2-1-94.

ILHR 56.37 Sanitary facilities. (1) SANITARY FIXTURES. The number of sanitary fixtures for relocatable classrooms shall be provided in accordance with the requirements of ss. ILHR 52.50 through 52.64 and 56.16.

(a) Exception. Sanitary fixtures need not be provided in each relocatable classroom structure if the sanitary fixtures in the main school building are convenient and available for use during all hours of operation and the relocatable classroom structure is connected to the main school building with an enclosed passageway.

History: Cr. Register, December, 1978, No. 276, eff. 1-1-79; am., Register, August, 1993, No. 452, eff. 3-1-94.

ILHR 56.38 Fire alarms. Relocatable classroom structures containing more than 2 classrooms or connected to another building shall be provided with a fire alarm system as specified in s. ILHR 51.24.

History: Cr. Register, December, 1978, No. 276, eff. 1-1-79.

Subchapter III — Mobile Training Units

ILHR 56.40 Scope. This part provides the minimum requirements for mobile training units as defined in s. ILHR 56.41.

History: Cr. Register, December, 1978, No. 276, eff. 1-1-79.

ILHR 56.41 Definitions. "Mobile training units" mean trailer type units constructed and left on wheels. Mobile training units are used for education purposes at one site for a period of time no greater than 9 weeks per year.

History: Cr. Register, December, 1978, No. 276, eff. 1-1-79.

ILHR 56.42 General. Mobile training units shall comply with the applicable sections of this code except as otherwise specified in this part.

History: Cr. Register, December, 1978, No. 276, eff. 1-1-79.
Register, January, 1994, No. 457

ILHR 56.43 Exit doors and exit lights. (1) EXIT DOORS. Exit doors shall be at least 3 feet 0 inches wide.

(2) EXIT LIGHTS. Illuminated exit lights are not required for mobile training units.

History: Cr. Register, December, 1978, No. 276, eff. 1-1-79.

ILHR 56.44 Barrier-free requirements. An accessible entrance, interior circulation, and toilet facilities for people with disabilities need not be provided for mobile training units if the courses taught in the mobile training units are available in accessible facilities at the same school site.

History: Cr. Register, December, 1978, No. 276, eff. 1-1-79; am. Register, January, 1994, No. 457, eff. 2-1-94.

ILHR 56.45 Sanitary facilities. (1) TOILET ROOMS. (a) Toilet rooms within the mobile training unit shall comply with the requirements of ss. ILHR 52.50 through 52.64 and s. ILHR 56.16.

(b) Toilet rooms in the mobile training unit in which the toilet room door is equipped with a privacy lock, the requirements specified in s. ILHR 52.59 are not applicable.

(2) SANITARY FIXTURES. Sanitary fixtures are not required in the mobile training unit provided the sanitary fixtures in the main school building are available for use during all hours of operation.

(3) ACCESSIBILITY. Toilet facilities accessible for the physically disabled need not be provided if accessible toilet facilities in the main school building are provided and available for use during all hours of operation.

History: Cr. Register, December, 1978, No. 276, eff. 1-1-79; r. and recr., Register, August, 1993, No. 452, eff. 3-1-94.

ILHR 56.46 Fire alarms. Mobile training units used individually are exempt from the provisions of s. ILHR 56.19.

History: Cr. Register, December, 1978, No. 276, eff. 1-1-79.

Subchapter IV — Life-Safety Requirements for Existing Schools

ILHR 56.50 Scope. The provisions of this subchapter shall apply to all existing buildings and portions of buildings constructed prior to January 1, 1950 which are publicly owned or leased as schools and primarily used for instructional purposes for students up to and including grade 12.

History: Cr. Register, April, 1990, No. 412, eff. 5-1-90.

ILHR 56.51 Purpose. The purpose of this subchapter is to incorporate modern safety requirements in all existing schools constructed prior to January 1, 1950 to improve the life-safety of the occupants in these buildings.

History: Cr. Register, April, 1990, No. 412, eff. 5-1-90.

ILHR 56.52 Definitions. In this subchapter:

(1) "Funding is in place" means approval to fund through board approval, annual meeting approval, referendum or similar term.

(2) "Life-safety plan" means the individual plan developed for a school to improve the life-safety of the school.

(3) "Life-safety standards" means the individual plan developed for a school to improve the life-safety of the school.

(4) "Light-panel frames" means any glazed openings.

(5) "Special department inspection program" means inspections performed by the department to evaluate existing schools in accordance with life-safety standards and to establish an individual life-safety plan for each school.

(6) "Transfer grille" means an opening in a wall or door which permits air to flow from one space to another.

(7) "Written determination" means a decision by the department after reviewing plans and specifications or other information.

History: Cr. Register, April, 1990, No. 412, eff. 5-1-90.

ILHR 56.53 Schools constructed prior to 1930. Schools constructed prior to 1930 shall comply with the following requirements:

(1) **PRE-1930 SCHOOLS INSPECTED PRIOR TO JANUARY 1, 1989.** (a) *Codes and standards.* The recommendations specified in the individual life-safety plan for the pre-1930 schools inspected prior to January 1, 1989, shall comply with the standards specified in ss. ILHR 56.63 to 56.66.

(b) *Compliance dates.* 1. Pre-1930 schools inspected prior to January 1, 1989, shall implement on or before August 1, 1990, the recommendations of the written life-safety plan developed by the department through the special department inspection program.

2. The August 1, 1990, compliance date may be extended to those schools where an extension of time for compliance as specified in s. ILHR 56.56 has been granted in writing by the department.

Note: The department issued an emergency rule on pre-1930 schools on July 31, 1989, requiring code violations to be corrected by September 1, 1989, and a written implementation plan on the life-safety plan to be submitted to the department by December 1, 1989. Pre-1930 schools inspected prior to January 1, 1989, were evaluated using the inspection form SBD-8013.

(2) **PRE-1930 SCHOOLS INSPECTED AFTER JANUARY 1, 1989.** (a) *Codes and standards.* Any pre-1930 school inspected after January 1, 1989, shall be evaluated in accordance with ss. ILHR 56.63 to 56.66.

(b) *Compliance dates.* Individual compliance dates to implement the life-safety plan shall be established by the department for each school.

History: Cr. Register, April, 1990, No. 412, eff. 5-1-90.

ILHR 56.54 Schools constructed between January 1, 1930, and January 1, 1950. Schools constructed between January 1, 1930, and January 1, 1950, shall comply with the following requirements:

(1) **CODES AND STANDARDS.** The life-safety standards specified in ss. ILHR 56.63 to 56.66 shall be used to evaluate schools constructed between January 1, 1930, and January 1, 1950.

(2) **COMPLIANCE DATES.** All violations identified through the special department inspection program shall be corrected by September 1, 1991, unless an extension of time

for compliance as specified in s. ILHR 56.56 has been granted by the department.

History: Cr. Register, April, 1990, No. 412, eff. 5-1-90.

ILHR 56.56 Extension of time for compliance. A school district may request in writing an extension of time to comply with any code violation or the life-safety plan. Extensions may be granted in accordance with one or more of the following:

(1) **CONSTRUCTION PROBLEMS.** The department may grant a reasonable extension of time in order to permit a school district to:

(a) Prepare plans for construction and issue bids for construction;

(b) Complete construction that has been delayed due to availability of materials, weather conditions, or other construction-related problems;

(c) Implement interim approved safety measures to protect the building occupants during the time of extension; or

(d) Obtain written approval of an alternate life-safety plan.

(2) **FUNDING PROBLEMS.** (a) A school district may request a one year extension if the school district is unable to implement the life-safety plan due to inadequate funding.

(b) Requests for extensions indicating the school district is unable to correct the code violations or implement the life-safety plan due to inadequate funds shall be submitted to the department with:

1. A written statement obtained from the department of public instruction stating that the school district is unable to borrow money or to use the school's operating reserve to implement the required life-safety standards;

2. A copy of a written plan submitted to the department of public instruction on how the school district will obtain the funds to complete the life-safety plan; and

3. An alternate life-safety plan identifying the interim measures that will be provided to protect the building occupants. The alternate life-safety plan shall be prepared by a registered engineer or architect.

(3) **EXTENSION TO BUILD NEW SCHOOL OR MAJOR REMODELING.** A school district may request an extension of time to comply with the life-safety plan if a school district has approval to construct a new school or additions, or to do major remodeling in the existing building.

(a) The following criteria shall be submitted to the department for a written determination on the request for extension:

1. Written notification and commitment that the funding is in place and that a new school or addition will be constructed or the existing school will undergo major remodeling; and

2. An alternate life-safety plan identifying the interim measures that will be provided to protect the building occupants. The alternate life-safety plan shall be prepared by a registered engineer or architect.

ILHR 56.56

(b) Plans and specifications for any new construction, addition or major remodeling shall be submitted in accordance with s. ILHR 50.12.

(c) The department may grant a 2 year extension to complete the new construction or remodeling. The department may grant an extension longer than 2 years where the school district provides documentation from the architect or engineer and the contractor that the construction will take longer than 2 years.

History: Cr. Register, April, 1990, No. 412, eff. 5-1-90.

ILHR 56.57 Failure to comply. If the department determines that the rules or any extensions to comply with the rules have not been complied with, the department will notify the state superintendent of public instruction to review the matter under s. 115.33, Stats.

History: Cr. Register, April, 1990, No. 412, eff. 5-1-90.

ILHR 56.58 Life-safety evaluation procedures. A life-safety evaluation shall be conducted for each existing school in accordance with the following:

(1) **QUALIFICATIONS OF EVALUATOR.** The initial and follow-up inspection for the life-safety evaluation shall be performed by the department or a registered architect or engineer. School districts utilizing registered architects or engineers to perform the life-safety evaluation shall notify the department in writing.

(2) **STANDARDS FOR EVALUATION.** All life-safety evaluations shall be performed using the standards specified in ss. ILHR 56.63 to 56.66.

(3) **LIFE-SAFETY EVALUATION FORM.** The life-safety evaluation shall be conducted using the life-safety evaluation form which is based on ss. ILHR 56.63 to 56.66.

Note: Life-safety evaluation form (SBD-8259) is available from the Safety and Buildings Division, P.O. Box 7969, Madison, Wisconsin 53707.

(a) **Procedures.** Each school building shall be evaluated to determine compliance with the requirements specified in ss. ILHR 56.63 to 56.66, using the life-safety evaluation form as follows:

1. **Complies.** If the building complies, the evaluator shall check the "complies" column.
2. **Does not comply.** If the building does not comply, the evaluator shall check the "does not comply" column.
3. **Comments.** The evaluator shall specify how the building may be brought into compliance, or if other alternatives approved by the department have been utilized.
4. **Not applicable.** If a code section does not apply, write "NA" in each column.

(b) **Filing of life-safety evaluation form.** After completing the inspection and evaluation, the evaluator shall sign and date the life-safety evaluation form and submit the evaluation form to the department. Where a building does not comply with a specific item, the department shall issue written orders on these items and send notification to the school district.

Note: The evaluations for schools constructed between January 1, 1930, and January 1, 1950, were completed on January 1, 1990.

Register, January, 1994, No. 457

(4) **INTERIM NOTIFICATION.** On or before August 1, 1990, each school district having schools requiring compliance with life-safety plans shall notify the department in writing of what steps have been or will be taken to implement the life-safety standards.

(5) **CERTIFICATE OF COMPLIANCE.** Upon determination of compliance, the department shall certify in writing that the school complies with the life-safety standards. A copy of the reinspection report certificate shall be sent to the school district and the department of public instruction.

History: Cr. Register, April, 1990, No. 412, eff. 5-1-90.

ILHR 56.59 Plan of school. (1) FLOOR PLAN. The school district shall be responsible for preparing a floor plan of each school. The floor plan shall include:

- (a) The size and use of all rooms;
- (b) Location of all exit doors, exit lights, exit passageways and stairways;
- (c) Location of toilet facilities; and
- (d) Location of fire alarm horns and pull-stations.

(2) **DATES OF CONSTRUCTION.** The plan shall show the construction dates of the building and any additions.

History: Cr. Register, April, 1990, No. 412, eff. 5-1-90.

ILHR 56.60 Plans and specifications. Plans and specifications shall be submitted to the department in accordance with s. ILHR 50.12 for any new construction, additions, changing location of exits, structural alterations, or major alterations. A completion statement shall be filed in accordance with s. ILHR 50.10.

History: Cr. Register, April, 1990, No. 412, eff. 5-1-90.

ILHR 56.61 Approval of alternate life-safety plan. (1) TYPES OF ALTERNATIVES. (a) *Alternatives to smoke enclosures and smoke cut-offs.* Where the building configuration does not permit the installation of physical barriers to separate the stairway from the classroom and corridor areas, other alternatives approved by the department may be used. The alternatives may consist of providing a combination of the following items and shall be approved by the department:

1. Additional smoke detectors complying with NFPA 72E;
2. Smoke ventilation systems;
3. Fire suppression systems complying with s. ILHR 51.23; or other fire suppression systems not specified in s. ILHR 51.23, when approved by the local fire department;
4. Standard exits in addition to the required exits to reduce the required travel distance; or
5. Other alternatives providing an equivalency to the rule.

(b) *Other alternatives.* Alternatives to any other life-safety standard may be used, if an equivalency to the life-safety standard is provided and is approved by the department.

(2) **PLAN APPROVAL.** (a) *Plan submission.* Any alternative to a life-safety requirement shall be submitted to the

department as a "Preliminary Design Consultation-Aging Schools" prior to preparing final plans and specifications to implement the life-safety plan.

(b) *Notification.* The department shall make a written determination on the alternate life-safety plan and return it to the school district.

History: Cr. Register, April, 1990, No. 412, eff. 5-1-90.

ILHR 56.62 Re-evaluation. Re-evaluations for all public schools shall be performed every 5 years. This inspection shall be coordinated with the department of public instruction's standard audit inspection. The re-evaluation may be performed by the department or a registered architect or engineer.

History: Cr. Register, April, 1990, No. 412, eff. 5-1-90.

ILHR 56.63 Life-safety standards. Each existing school building as specified in this subchapter shall be surveyed and evaluated in accordance with the following minimum life-safety standards:

(1) **MAXIMUM CAPACITIES.** The maximum capacities for classrooms and spaces shall be determined in accordance with the following:

(a) Maximum capacities for auditoriums or gymnasiums shall comply with s. ILHR 56.02 for the class of construction requirements.

(b) Classrooms and other instructional spaces shall comply with the maximum capacities specified in s. ILHR 56.07.

(2) **EXITING.** The minimum exiting requirements shall be determined in accordance with the following:

(a) *Number of exits.* The total number of exits from each floor level and each building shall be determined on the basis of total aggregate exit width and distances to exit. Each building and each floor level shall be provided with at least 2 exits located as remote from each other as practical.

(b) *Type of exits.* At least 2 exits from each floor level shall lead directly to grade through standard exit doors, stairs, interior enclosed stairs, smokeproof stairtowers, fire-rated exit corridors, passageways or ramps. One-half of the remaining exits may be horizontal exits or fire escapes. Fire escapes shall be limited to buildings not more than 2 stories in height except that existing fire escapes may remain.

1. Standard exit doors. Standard exit doors shall be a minimum of 3'-0" in width.

2. Exit stairs. All new constructed stairs shall conform to the requirements of s. ILHR 51.16, except that handrails shall be provided on both sides. An outside weather-treated wood stairway may be used as a second exit from a building not more than 2 stories in height.

3. Enclosure of interior stairways. All exit stairways shall be enclosed in accordance with s. ILHR 56.06 (2) (c) or separated from the classroom and corridor area with a stairway smoke-enclosure having a one-hour rating as specified in s. ILHR 56.64.

4. Fire-rated exit corridors. All rated exit corridors required to satisfy limitations on exit distance shall be of not

less than one-hour fire-resistive construction, unless the fire-resistive ratings indicated in Table 51.03-A for required exit corridor enclosures are more restrictive.

5. Exit ramps. The minimum width of exit ramps shall be determined in accordance with the requirements of s. ILHR 56.07. The minimum width shall be not less than 3 feet 8 inches. Exit ramps, other than those required for the physically disabled, shall have a slope not exceeding 1:8. Ramp slopes exceeding 1:12 shall be provided with handrails. Ramps shall be provided with a slip-resistant finish.

6. Fire escapes. Fire escapes shall be constructed in accordance with the requirements of s. ILHR 51.20.

(c) *Travel distance.* 1. Non-sprinklered. Travel distance to an exterior exit door, a required fire-resistive rated exit corridor, interior enclosed stairs, smokeproof stair tower, horizontal exit, or fire escape, from any point in a building accessible to the public, may not exceed 150 feet.

2. Sprinklered. Where an approved automatic fire sprinkler system is provided throughout the building, an increase in the travel distance specified in subd. 1 to 200 feet will be permitted.

(d) *Location of exits.* 1. Distribution. All exits shall be distributed to provide the best possible means of egress. The exits shall be located so that in case any exit is blocked at any point some other exit is accessible through public passageways at all times.

2. Auditoriums and gymnasiums. Exits serving auditoriums and gymnasiums which have a capacity exceeding 600 persons shall comply with s. ILHR 56.06 (3) (c).

(e) *Classroom exiting.* 1. Classrooms with 50 or less persons. At least one exit is required from a classroom or other instructional spaces with a capacity of 50 persons or less, and the exit door shall be 3'-0" wide and may swing into the classroom.

2. Classrooms with 51-100 persons. At least 2 exits are required from classrooms or other instructional spaces with a capacity of 51-100 persons, and the exit doors shall be 3'-0" wide and shall swing toward the means of egress.

3. Classrooms with greater than 100 persons. At least 2 exits shall be provided from all classrooms or other instructional spaces having a capacity of more than 100 persons. The exits shall discharge directly to grade or to a public passageway which permits 2 directions of travel to the exterior. The exit width shall comply with s. ILHR 56.06 and the doors shall swing toward the means of egress.

(f) *Exit width.* The total required exit width shall be provided in accordance with s. ILHR 56.07.

(g) *Storage under stairs.* 1. Combustible construction. Stairways constructed of combustible materials may not have any type of material or equipment stored under the stairs.

2. Noncombustible construction. Stairways constructed of noncombustible material having a 2-hour fire-rating may have storage under the stairways. All openings shall be protected with fire-rated door assemblies as specified in s. ILHR 51.047. A smoke detector shall be provided in each storage room under a stairway and the smoke detec-

ILHR 56.63

tor shall activate an alarm audible in a normally occupied area or shall activate the building fire alarm.

(3) STAIRWAY HANDRAILS AND GUARDRAILS. Stairway handrails and guardrails shall be provided in accordance with the following:

(a) *Handrails.* Handrails shall be not less than 30 inches nor more than 34 inches above the nosing of the treads on stairways or above the surface of ramps, as specified in s. ILHR 51.161.

(b) *Guardrails.* Guardrails shall be provided on the open side of elevated platforms, landings, walks, balconies and mezzanines which are more than 24 inches in height. Guardrails shall not be less than 42 inches in height.

(4) EXIT SIGNS. Exit signs shall be provided in accordance with the following:

(a) Illuminated exit signs shall identify all required exits, as specified in s. ILHR 56.06.

(b) Directional exit signs shall be located to direct occupants to the exits.

(5) CORRIDORS. (a) *Corridor width.* All public corridors and passageways shall have an unobstructed width of at least 4 feet.

(b) *Dead-end corridors.* 1. Locked security gates and doors may not be placed so as to block required exit passageways or create dead-end corridors.

2. At least 2 directions of egress shall be provided from every room. Any room may be permitted one direction of egress provided the door setback from 2 directions of egress is not greater than the corridor width. The total number of persons beyond the 2 directions of egress may not exceed 50.

(6) FIRE DETECTION, PROTECTION AND SUPPRESSION. The manual fire alarm system, basement fire protection and portable fire extinguishers shall comply with the following:

(a) *Manual fire alarm system.* At least one fire alarm pull station shall be provided at each exit on each floor to activate the building fire alarm system. The manual fire alarm system shall be audible throughout the floor level.

(b) *Basement protection.* All basement corridors shall be protected with an automatic smoke detection system.

(c) *Portable fire extinguishers.* Portable fire extinguishers shall be located every 75 feet, or there shall be no more than 11,250 square feet per extinguisher as specified in NFPA 10. The extinguishers shall be charged or filled.

(7) CONSTRUCTION SEPARATION WALL. (a) *Openings used as standard exits.* If the opening in a construction separation wall is a required exit, the opening shall be provided with exit doors complying with s. ILHR 51.15 and the doors shall have a $\frac{3}{4}$ -hour fire-rating as specified in s. ILHR 51.047.

(b) *Existing rolling or sliding fire-doors.* Existing rolling or sliding fire-rated doors held open by a fusible link may remain as is, except a separate smoke detector shall be placed at these door locations. The smoke detector shall not be connected with the rolling or sliding fire-rated doors.

(8) ISOLATION OF HAZARDS. (a) *Rating of enclosures.* All fuel-fired heating boilers and furnaces, power boilers, fuel rooms, breeching, storage vaults for paints, oils and similar hazards, fuel-fired kilns and dryers, and other similar hazards shall be enclosed with the following:

1. The enclosures located in one story buildings shall be protected with 2-hour fire-rated construction or equivalent.

2. The enclosures located in buildings greater than one story in height shall be protected with 4-hour fire-rated construction or equivalent.

(b) *Protection of openings.* All openings in these enclosures shall be protected with self-closing doors as specified in s. ILHR 51.047.

(9) MECHANICAL EQUIPMENT. The heating and ventilating equipment shall comply with the following:

(a) Outside combustion air shall be provided as specified in s. ILHR 64.09.

(b) Air handling units servicing more than one floor level shall be provided with a smoke detection system capable of detecting products of combustion in the ductwork and a means of shutting down the system or stopping the flow of air upon activation of smoke detectors in the ducts. The smoke detectors shall comply with the following:

1. Smoke detectors approved for duct installation shall be installed at a suitable location in:

a. The main supply duct on the downstream side of the filters to automatically stop the fan; and

b. The return air stream, prior to exhausting from the building or being diluted by outside air, to automatically exhaust the smoke-laden return air or to stop the fan. The smoke detector may be omitted in the return air stream in systems of less than 15,000 cubic feet per minute.

2. Smoke detectors shall be installed in accordance with NFPA 72E. Activation of smoke detectors shall sound an alarm audible in a normally occupied area of the building or shall activate the building fire alarm system.

(10) STRUCTURAL ANALYSIS. A structural analysis will be required if any visible defects are found in:

- (a) Columns;
- (b) Beams and framing;
- (c) Floor system;
- (d) Roof deck and supports;
- (e) Exterior walls; or
- (f) Foundation walls.

(11) ELECTRICAL. The electrical systems shall be inspected in accordance with the following:

- (a) Conductors shall be protected against physical damage;
- (b) Working space in front of equipment shall be kept clear;
- (c) Proper overcurrent protection shall be provided; and

(d) Flexible cords shall be properly used.

History: Cr. Register, April, 1990, No. 412, eff. 5-1-90; am. (2) (b) 3., Register, March, 1991, No. 423, eff. 4-1-91; am. (2) (b) 2., Register, January, 1994, No. 457, eff. 2-1-94.

ILHR 56.64 Stairway smoke-enclosure. (1) WHERE REQUIRED. (a) Where stairway smoke-enclosures are required, they shall be installed to separate all open stairways from all other areas of the building in order to limit the spread of smoke and fumes into the stairways. Stairways leading to open balconies or mezzanines may remain open.

(b) Where it is impossible to construct a one-hour fire-rated stairway smoke-enclosure to separate the open stairway, the department will consider:

1. Stairway smoke cut-offs as specified in s. ILHR 56.65; or

2. Horizontal separations as specified in s. ILHR 56.66.

(2) CONSTRUCTION. (a) *Smoke-enclosure wall.* The wall of the stairway smoke-enclosure shall extend vertically from the finished floor to the underside of a floor/ceiling deck or ceiling/roof deck and extend horizontally from wall-to-wall.

(b) *Rating of smoke-enclosure wall.* The stairway smoke-enclosure wall which is located in a building classified as type 1, 2 or 3 construction in accordance with s. ILHR 51.03 (1) to (3) shall be constructed of at least one-hour noncombustible elements. The stairway smoke-enclosure wall which is located in a building classified as type 4, 5, 6, 7 or 8 in accordance with s. ILHR 51.03 (4) to (8) shall be constructed of material having at least a one-hour fire-resistive rating.

(c) *New and replacement door assemblies in a smoke-enclosure wall.* 1. New and replacement door assemblies in a stairway smoke-enclosure wall shall have a ¾-hour fire-rating and be self-closing. The frame, hardware, hinges, lock sets and closers shall be listed for use with fire-rated doors by U.L., Factory Mutual or other approved testing laboratories.

2. A fire-rated door shall be self-closing and shall remain closed at all times, unless the door is equipped with an automatic self-closing device activated by products of combustion other than heat, or a self-closing device activated by the building fire alarm system.

(d) *Existing doors and frames located in openings in smoke-enclosure walls.* Any framed opening in an existing wall of a stairway shall be equipped with at least a ¾-hour rated door and the hardware specified in par. (c). Existing doors, frames and light-panel frames located in the existing stairway enclosure walls may remain as is, provided:

1. The door is solid wood core;

2. The door is equipped with self-closing and latching devices;

3. Any transfer grille located in the door is eliminated and the opening is filled with solid wood that is at least as thick as the door;

4. Any glazing in the door is wired glass;

5. Any glazed transom above the door is wired glass; and

6. The existing frame is metal or solid wood at least ¾-inch thick.

(e) *Platform.* The stairway smoke-enclosure shall be constructed to provide a platform between the smoke-enclosure and the stairs. The platform shall be at least as wide as the stairway, measured at a right angle to the direction of travel. Every platform shall have a length of at least 3 feet, measured in the direction of travel. The swing of the exit doors may not block the required exit passage-way.

(f) *Penetrations.* Any opening around a duct, pipe, conduit or wiring penetrating through a stairway smoke-enclosure wall shall be filled solidly with draft stopping material in accordance with s. ILHR 53.63 (1).

(3) SMOKE DETECTION. (a) Where a stairway smoke-enclosure does not provide direct exiting to grade, the passageway connecting the stairway smoke-enclosure to the exterior exit shall be protected with smoke detectors. The detectors shall be located in accordance with NFPA 72E.

(b) The smoke detectors shall activate alarms audible in a normally occupied area of the building or shall activate the building fire alarm system.

History: Cr. Register, April, 1990, No. 412, eff. 5-1-90.

ILHR 56.65 Stairway smoke cut-offs. (1) WHERE REQUIRED. Where stairway smoke cut-offs are required, they shall be constructed at all open stairways at the basement level and all other floor levels other than the first or ground floor.

(2) CONSTRUCTION. The construction of the stairway smoke cut-off shall comply with s. ILHR 56.64 (2).

(3) SMOKE DETECTION. (a) Where stairway smoke cut-offs are provided, at least one smoke detector shall be placed at the head of the open stairway at the uppermost floor level. Additional smoke detectors shall be placed throughout the open corridor leading to the stairway. The smoke detectors shall be located in accordance with NFPA 72E.

(b) The smoke detectors shall activate alarms audible in a normally occupied area of the building or shall activate the building fire alarm system.

History: Cr. Register, April, 1990, No. 412, eff. 5-1-90.

ILHR 56.66 Horizontal separations. (1) WHERE REQUIRED. Horizontal separations may be used to subdivide a floor into at least 2 smoke compartments, provided the building is classified as type 6 metal frame unprotected construction in accordance with s. ILHR 51.03 (6) or better construction with noncombustible floors and stairways. Horizontal separations may be used as horizontal exits.

(2) CONSTRUCTION. Horizontal separations shall have at least a one-hour fire-resistive rating. Openings in the horizontal separations shall be protected with door or window assemblies having a ¾-hour fire-resistive rating.

History: Cr. Register, April, 1990, No. 412, eff. 5-1-90.

Chapter ILHR 57

RESIDENTIAL OCCUPANCIES

Subchapter I — General Standards for Residential Occupancies

ILHR 57.001	Scope
ILHR 57.01	Construction
ILHR 57.015	Height of first floor above grade for sheltered facilities for battered women
ILHR 57.016	Automatic fire sprinkler protection
ILHR 57.02	Allowable height and area
ILHR 57.03	Number and location of exits
ILHR 57.04	Capacity of buildings and exits
ILHR 57.05	Type of exits
ILHR 57.06	Doors
ILHR 57.07	Steps, stairs and shafts
ILHR 57.08	Enclosure of interior stairways and shafts
ILHR 57.09	Passageways
ILHR 57.10	Illumination of exits and exit signs
ILHR 57.11	Habitable rooms with floors below grade
ILHR 57.12	Sanitary facilities
ILHR 57.13	Windows
ILHR 57.14	Isolation of hazards
ILHR 57.145	Occupancy separations
ILHR 57.15	Fire protection systems
ILHR 57.16	Smoke detection
ILHR 57.165	Smoke detection for CBRF
ILHR 57.17	Fire alarms

ILHR 57.18	Fire extinguishers
ILHR 57.19	Rowhouse
ILHR 57.20	Accessibility requirements

Subchapter II — Accessibility Standards for Covered Multifamily Housing

ILHR 57.70	Scope
ILHR 57.71	Purpose
ILHR 57.74	Plan examination and department action
ILHR 57.77	Definitions
ILHR 57.78	Accessibility requirements, new construction
ILHR 57.79	Accessibility requirements for additions and remodeled covered multifamily housing
ILHR 57.81	Accessible building entrance on an accessible route
ILHR 57.82	Accessible and usable public and common use areas
ILHR 57.83	Usable doors
ILHR 57.84	Accessible route into and through the covered dwelling unit
ILHR 57.85	Light switches, electrical outlets, thermostats and other environmental controls in accessible locations
ILHR 57.86	Reinforced walls for grab bars
ILHR 57.87	Usable kitchens
ILHR 57.871	Usable bathrooms

Note: Chapter Ind 57 as it existed on December 31, 1981 was repealed and a new ch. Ind 57 was created effective 1-1-82, except for s. Ind 57.16 (2) which is effective 1-1-83; chapter Ind 57 was renumbered to be ch. ILHR 57 effective January 1, 1984.

Subchapter I — General Standards for Residential Occupancies

ILHR 57.001 Scope. (1) GENERAL. Except as provided in sub. (2), this subchapter applies to all places of abode, including, but not limited to:

- (a) Apartment buildings, residential condominiums, and townhouses, that exceed 60 feet in height or 6 stories;
- (b) Motels;
- (c) Hotels;
- (d) Dormitories;
- (e) Homes for the aged;
- (f) Sheltered facilities for battered women, as specified in s. 46.95, Stats., serving more than 20 occupants;
- (g) Rooming houses;
- (h) Convents and monasteries;
- (i) Community-based residential facilities serving 9 or more unrelated adults; and
- (j) Community-based facilities located in existing buildings serving more than 20 unrelated adults.

Note: See s. ILHR 51.01 (102a) and 51.01 (114a) for definitions of "places of abode" and "rowhouse", respectively.

(2) EXEMPTIONS. The requirements of this subchapter shall not apply to the following:

- (a) One- and 2-family dwellings;

(b) Buildings or motels, tourist courts and similar occupancies having separate buildings containing not more than 2 rental units each;

(c) Migrant labor camps;

(d) Health care facilities;

(e) Places of detention;

(f) Community-based residential facilities constructed on or after the effective date of this section and serving 3 to 8 unrelated adults;

(g) Community-based residential facilities, serving 9 to 20 unrelated adults, located in existing buildings as specified in ss. ILHR 61.001 (1) and 61.01 (7);

(h) Sheltered facilities for battered women, as specified in s. 46.95, Stats., serving 20 or less occupants as specified in s. ILHR 61.001 (3);

(i) Bed and breakfast establishments as defined in s. ILHR 51.01 (11a); and

(j) Multifamily dwellings within the scope of ch. ILHR 66.

Note: See chs. ILHR 20-25, Uniform Dwelling Code for requirements regarding one- and 2-family dwellings. The requirements of chs. ILHR 20-25 also apply to newly constructed community-based residential facilities serving 3 to 8 unrelated adults.

Note: See ch. ILHR 301, for requirements regarding migrant labor camps.

History: Cr. Register, December, 1981, No. 312, eff. 1-1-82; am. Register, October, 1982, No. 322, eff. 11-1-82; am. (1), Register, December, 1983, No. 336, eff. 1-1-84; cr. (2) (i), Register, August, 1985, No. 356, eff. 1-1-86; r. and recr. (1), am. (2) (intro.), Register, April, 1994, No. 460, eff. 5-1-94; am. (1) and (2) (g) to (i), cr. (2) (j), Register, March, 1995, No. 471, eff. 4-1-95.

ILHR 57.01

ILHR 57.01 Construction. (1) GENERAL. For the purpose of determining the maximum height and area of buildings and structures within the scope of this chapter, the building construction shall be classified in accordance with the construction standards as specified in s. ILHR 51.03.

Note: See ss. HSS 3.40-3.65, Wis. Adm. Code, for additional construction requirements pertaining to community-based residential facilities.

(2) LIVING UNIT SEPARATION. (a) Each living unit, except rowhouse units as specified in s. ILHR 51.01 (114a), shall be separated from other living units, common use areas and from the exit access corridors by construction protected with at least the equivalent of one layer of ½-inch Type X gypsum wallboard with taped joints.

1. The fire-protective membrane shall be provided on both sides of walls and on the ceiling beneath the floor construction providing the separation. The membrane shall be fastened to the framing or suspended in the manner as required for one-hour fire-resistive rated assemblies.

2. The membrane protection may be omitted on the ceiling of the top-most story if firestopping as specified in s. ILHR 53.63 (1) (d) is provided at the intersection of the living unit separation walls and the roof.

Note: See s. ILHR 51.03 for building elements required to have fire-resistive ratings to satisfy class of construction standards.

Note: This section is intended to apply to living unit separations only. The design and construction of required fire-resistive rated construction for stairway enclosures, hazardous occupancy separations, exit corridors, isolation of hazards enclosures, vertical division walls, fire division walls and other rated construction is governed by ss. ILHR 51.043 to 51.046.

(b) Doors separating one hotel or motel living unit from another shall have a ¾-hour fire-resistive rating. Where 2 doors are provided in one frame, only one of the doors is required to be rated. The connecting doors are not required to be equipped with self-closing devices.

(3) BASEMENT AND GROUND FLOOR PROTECTION. (a) Except as provided in par. (b), the ceiling of all spaces, except those within individual living units and crawl spaces located below the first story of all residential buildings, shall be protected with at least the equivalent of one layer of ½-inch type X gypsum wallboard with taped joints.

(b) This subsection shall not apply to buildings where such spaces are protected by an approved automatic sprinkler system.

(4) GARAGE SEPARATIONS. A residential occupancy shall be separated from a storage garage or repair garage in accordance with s. ILHR 51.08.

History: Cr. Register, December, 1981, No. 312, eff. 1-1-82; am. (4) (b) and (c), cr. (4) (d), Register, December, 1983, No. 336, eff. 1-1-84; r. and recr. (2), Register, August, 1985, No. 356, eff. 1-1-86; am. (2) (a) 2. and (3) (a), r. and recr. (4), Register, March, 1991, No. 423, eff. 4-1-91; cr. (2) (b), Register, January, 1994, No. 457, eff. 2-1-94.

ILHR 57.015 Height of first floor above grade for sheltered facilities for battered women. The elevation of the first floor and the sills of all required exit discharges from the first floor for existing buildings to be converted to sheltered facilities for battered women shall be at or not more than 6 feet above an exit discharge grade.

History: Cr. Register, December, 1983, No. 336, eff. 1-1-84.

ILHR 57.016 Automatic fire sprinkler protection. (1) A building more than 60 feet in height shall be protected

throughout the entire building in accordance with ss. ILHR 52.01 and 51.23, except that the sprinklers within the living units shall be residential type conforming to NFPA 13R, installed in accord with the recommendations and requirements of the manufacturer.

(2) A building less than 60 feet in height which provides housing for the elderly shall be protected by either:

(a) An automatic fire sprinkler system conforming with NFPA 13R, provided the building does not exceed 4 stories in height; or

(b) An automatic fire sprinkler system conforming with NFPA 13, except that the sprinklers within the living units shall be residential type conforming to NFPA 13R, installed in accord with the recommendations and requirements of the manufacturer.

Note: See s. ILHR 51.01 (71c) for the definition of "housing for the elderly".

History: Emerg. cr. eff. 9-6-86; cr. Register, November, 1986, No. 371, eff. 12-1-86; r. and recr. Register, March, 1991, No. 423, eff. 4-1-91; am. (1) and (2) (b), Register, January, 1994, No. 457, eff. 2-1-94.

ILHR 57.02 Allowable height and area. (1) GENERAL. Buildings and structures within the scope of this chapter shall not exceed the height and area limitations specified in this section.

(2) ALLOWABLE INCREASE IN FLOOR AREAS. (a) Limited area ch. ILHR 57 buildings. 1. Chapter ILHR 57 buildings not protected by automatic fire sprinkler systems as specified in s. ILHR 57.016 may not exceed the height and area limitations specified in Table 57.02-1.

2. A building may not exceed the height and area limitations specified in Table 57.02-2 if the building is protected by an automatic fire sprinkler system conforming with NFPA 13R.

Note: NFPA standard 13R applies only to buildings 4 stories or less in height.

3. A building may not exceed the height and area limitations specified in Table 57.02-3 if the building is protected by an automatic fire sprinkler system conforming with NFPA 13, except that the sprinklers within the living units shall be residential type conforming to NFPA 13R, installed in accord with the recommendations and requirements of the manufacturer.

(b) *Vertical division wall separations.* 1. No building shall be limited in area when divided into sections which do not exceed the maximum areas tabulated in this section by vertical division walls. Such vertical division walls shall extend from the foundation or the first floor level if the floor construction and supporting elements are of 3-hour rated non-combustible construction, to the underside of the roof deck and shall have at least the following fire-resistive ratings:

- a. 2-hour for type 4, 5A, 5B, 7 and 8 construction;
- b. NC-2 hour for type 3 and 6 construction; and
- c. NC-3 hour for type 1 and type 2 construction.

2. All openings in such walls shall be protected by fire-rated door assemblies as specified in s. ILHR 51.047. The doors protecting openings in such walls located in public

corridors shall be held open and equipped with an automatic closing device activated by products of combustion other than heat.

(c) *Street access for unlimited area buildings.* 1. Streets shall be within 50 feet of the adjacent building side with no obstructions between the street and the building which will impede fire-fighting efforts.

Note: See s. ILHR 51.01 (124) for definition of street.

2. a. Buildings with no area limitations as permitted under Table 57.02-3, shall have a continuous all-weather, hard-surfaced area 30 feet or more in width for a distance of not less than 50% of the perimeter of the building. These buildings shall have at least one wall facing a street for its entire length. At least 2 of the remaining building walls shall face streets for at least 50% of their respective lengths.

b. Unlimited area buildings of fire-resistive type 1 construction and one-story unlimited area buildings of fire-resistive type 2 construction shall be provided with street access as defined in s. ILHR 51.01 (124) to at least one side of the building.

(3) **ACCESS ROADWAYS FOR FIRE APPARATUS.** (a) Buildings shall be accessible to fire department apparatus by means of streets as specified in s. ILHR 51.01 (124) or access roadways. Access roadways shall be at least 20 feet in width, be capable of supporting the imposed loads of the fire apparatus and have a minimum of 13 feet 6 inches in vertical clearance.

1. For buildings 3 stories or less in height, the street or access roadway shall:

a. Be located within 150 feet of all portions of the exterior walls of the first story as measured along the perimeter of the building; or

b. Extend along at least one entire side of the building which constitutes at least 25% of the total building perimeter with the road edge closest to the building located at least 10 feet but not more than 50 feet from the building.

2. For buildings more than 3 stories in height, the street or access roadway shall extend along at least one entire side of the building which constitutes at least 25% of the total building perimeter with the road edge closest to the building at least 10 feet but not more than 50 feet from the building.

(b) The required streets and access roadways shall be kept free at all times of all obstructions, including parked vehicles and snow.

History: Cr. Register, December, 1981, No. 312, eff. 1-1-82; am. (2) (b) 2., cr. (3), Register, December, 1983, No. 336, eff. 1-1-84; am. (3) (a) 1., Register, August, 1985, No. 356, eff. 1-1-86; emerg. am. (1), r. and recr. (2), r. table 57.02, cr. tables 57.02-1, 57.02-2 and 57.02-3, eff. 9-6-86; am. (1), r. and recr. (2), r. table 57.02, cr. tables 57.02-1, 57.02-2 and 57.02-3, Register, November, 1986, No. 371, eff. 12-1-86; cr. (2) (c) 2. b., r. and recr. (2) (a) 2. and 3., renum. and am. (2) (c) 2. to (2) (c) 2. a., am. (3) (a) 1. a. and 2., Register, March, 1991, No. 423, eff. 4-1-91; reprinted to restore text in (3) (a), Register, June, 1991, No. 426, eff. 7-1-91; am. (2) (a) 3., (b) 1. c., and table 57.02-2, Register, January, 1994, No. 457, eff. 2-1-94.

ILHR 57.02

TABLE 57.02-1 — ALLOWABLE HEIGHT (STORIES) AND AREA (SQUARE FEET) FOR BUILDINGS WITHOUT COMPLETE AUTOMATIC FIRE SPRINKLER SYSTEM PROTECTION (MAXIMUM GROSS FLOOR AREA PER FLOOR)
NOTE: DO NOT USE FOR BUILDINGS EXCEEDING 60 FEET IN HEIGHT

CLASS OF CONSTRUCTION	OPEN SPACE AT LEAST 30 FEET IN WIDTH OR STREET WITHIN 50 FEET OF BUILDING	THE NUMBER OF STORIES								
		1	2	3	4	5	6	7	8	Over 8
		1. Fire-Resistive Type A	1	19,800	17,000	14,800	12,500	10,300	8,800	7,300
	2	23,900	20,800	18,500	15,900	13,600	11,800	10,300	9,500	8,300
	3	28,000	25,300	22,300	19,300	17,000	14,800	13,300	12,500	11,300
	4	32,100	29,300	26,000	22,600	20,400	17,800	16,300	15,500	14,300
2. Fire-Resistive Type B	1	17,800	15,000	12,800	10,500	8,300	6,800	5,300	4,500	N.P.
	2	21,900	18,800	16,500	13,900	11,600	9,800	8,300	7,500	N.P.
	3	26,000	23,300	20,300	17,300	15,000	12,800	11,300	10,500	N.P.
	4	30,100	27,800	24,000	20,800	18,400	15,800	14,300	13,500	N.P.
3. Metal Frame Protected	1	15,800	13,500	11,300	9,000	N.P.	N.P.	N.P.	N.P.	N.P.
	2	19,900	17,300	14,600	12,000	N.P.	N.P.	N.P.	N.P.	N.P.
	3	24,000	21,000	18,000	15,000	N.P.	N.P.	N.P.	N.P.	N.P.
	4	28,100	24,800	21,400	18,000	N.P.	N.P.	N.P.	N.P.	N.P.
4. Heavy Timber	1	12,800	10,500	7,400	6,800	N.P.	N.P.	N.P.	N.P.	N.P.
	2	16,500	14,300	12,000	10,100	N.P.	N.P.	N.P.	N.P.	N.P.
	3	20,300	18,000	15,800	13,500	N.P.	N.P.	N.P.	N.P.	N.P.
	4	24,000	21,800	19,500	16,900	N.P.	N.P.	N.P.	N.P.	N.P.
5A. Exterior Masonry Protected	1	11,600	9,600	7,200	6,000	N.P.	N.P.	N.P.	N.P.	N.P.
	2	15,000	12,800	10,700	8,800	N.P.	N.P.	N.P.	N.P.	N.P.
	3	18,400	16,100	13,900	11,600	N.P.	N.P.	N.P.	N.P.	N.P.
	4	21,800	19,500	17,100	14,500	N.P.	N.P.	N.P.	N.P.	N.P.
5B. Exterior Masonry Unprotected	1	10,500	8,600	6,800	N.P.	N.P.	N.P.	N.P.	N.P.	N.P.
	2	13,500	11,300	9,400	N.P.	N.P.	N.P.	N.P.	N.P.	N.P.
	3	16,500	14,300	12,000	N.P.	N.P.	N.P.	N.P.	N.P.	N.P.
	4	19,500	17,300	14,600	N.P.	N.P.	N.P.	N.P.	N.P.	N.P.
6. Metal Frame Unprotected	1	10,500	8,600	6,800	N.P.	N.P.	N.P.	N.P.	N.P.	N.P.
	2	13,500	11,300	9,400	N.P.	N.P.	N.P.	N.P.	N.P.	N.P.
	3	16,500	14,300	12,000	N.P.	N.P.	N.P.	N.P.	N.P.	N.P.
	4	19,500	17,300	14,600	N.P.	N.P.	N.P.	N.P.	N.P.	N.P.
7. Wood Frame Protected	1	10,500	8,600	6,800	N.P.	N.P.	N.P.	N.P.	N.P.	N.P.
	2	13,500	11,300	9,400	N.P.	N.P.	N.P.	N.P.	N.P.	N.P.
	3	16,500	14,300	12,000	N.P.	N.P.	N.P.	N.P.	N.P.	N.P.
	4	19,500	17,300	14,600	N.P.	N.P.	N.P.	N.P.	N.P.	N.P.
8. Wood Frame Unprotected	1	7,500	3,800	N.P.	N.P.	N.P.	N.P.	N.P.	N.P.	N.P.
	2	9,000	4,500	N.P.	N.P.	N.P.	N.P.	N.P.	N.P.	N.P.
	3	10,500	5,300	N.P.	N.P.	N.P.	N.P.	N.P.	N.P.	N.P.
	4	12,000	6,000	N.P.	N.P.	N.P.	N.P.	N.P.	N.P.	N.P.

N.P. MEANS NOT PERMITTED

TABLE 57.02-2 — ALLOWABLE HEIGHT (STORIES) AND AREA (SQUARE FEET) FOR BUILDINGS PROTECTED IN ACCORDANCE WITH NFPA 13R (MAXIMUM GROSS FLOOR AREA PER FLOOR) NOTE: USE FOR ALL BUILDINGS

CLASS OF CONSTRUCTION	OPEN SPACE AT LEAST 30 FEET IN WIDTH OR STREET WITHIN 50 FEET OF THE BUILDING	NUMBER OF STORIES								
		1	2	3	4	5	6	7	8	Over 8
		BUILDING								
1. Fire-Resistive Type A	1	39,600	34,000	29,600	25,000	N.A.	N.A.	N.A.	N.A.	N.A.
	2	47,800	41,600	37,000	31,800					
	3	56,000	50,600	44,600	38,600					
	4	64,200	59,600	52,000	45,200					
2. Fire-Resistive Type B	1	35,600	30,000	25,600	21,000	N.A.	N.A.	N.A.	N.A.	N.A.
	2	43,800	37,600	33,000	27,800					
	3	52,000	46,600	40,600	34,600					
	4	60,200	55,600	48,000	41,200					
3. Metal Frame Protected	1	31,600	27,000	22,600	18,000	N.P.	N.P.	N.P.	N.P.	N.P.
	2	39,800	34,600	29,200	24,000					
	3	48,000	42,000	36,000	30,000					
	4	56,200	49,600	42,800	36,000					
4. Heavy Timber	1	25,600	21,000	14,800	13,600	N.P.	N.P.	N.P.	N.P.	N.P.
	2	33,000	28,600	24,000	20,200					
	3	40,600	36,000	31,600	27,000					
	4	48,000	43,600	39,000	33,800					
5A. Exterior Masonry Protected	1	23,200	19,200	14,400	12,000	N.P.	N.P.	N.P.	N.P.	N.P.
	2	30,000	26,600	21,400	17,600					
	3	36,800	32,200	27,800	23,200					
	4	43,600	39,000	34,200	29,000					
5B. Exterior Masonry Unprotected	1	21,000	17,200	13,600	N.P.	N.P.	N.P.	N.P.	N.P.	N.P.
	2	27,000	22,600	18,800						
	3	33,000	28,600	24,000						
	4	39,000	34,600	29,200						
6. Metal Frame Unprotected	1	21,000	17,200	13,600	N.P.	N.P.	N.P.	N.P.	N.P.	N.P.
	2	27,000	22,600	18,800						
	3	33,000	28,600	24,000						
	4	39,000	34,600	29,200						
7. Wood Frame Protected	1	21,000	17,200	13,600	N.P.	N.P.	N.P.	N.P.	N.P.	N.P.
	2	27,000	22,600	18,800						
	3	33,000	28,600	24,000						
	4	39,000	34,600	29,200						
8. Wood Frame Unprotected	1	15,000	7,600	N.P.	N.P.	N.P.	N.P.	N.P.	N.P.	N.P.
	2	18,000	9,000							
	3	21,000	10,600							
	4	24,000	12,000							

N.P. MEANS NOT PERMITTED; N.A. MEANS NOT APPLICABLE

ILHR 57.02

TABLE 57.02-3 — ALLOWABLE HEIGHT (STORIES) AND AREA (SQUARE FEET) FOR BUILDINGS PROTECTED IN ACCORDANCE WITH NFPA 13 (MAXIMUM GROSS FLOOR AREA PER FLOOR) NOTE: USE FOR ALL BUILDINGS

CLASS OF CONSTRUCTION	OPEN SPACE AT LEAST 30 FEET IN WIDTH OR STREET WITHIN 50 FEET OF THE BUILDING	NUMBER OF STORIES									
		1	2	3	4	5	6	7	8	9	Over 9
		NO LIMIT									
1. Fire-resistive Type A stories and area may be unlimited subject to s. ILHR 57.02 (2) (c) 2.	1 2 3 4										
2. Fire-resistive type B 1 to 9 story area may be unlimited subject to s. ILHR 57.02 (2) (c) 2.	1 2 3 4	NO LIMIT	53,400	45,000	38,400	31,500	24,900	20,400	15,900	13,500	N.P.
3. Metal frame protected 1 to 5 story area may be unlimited subject to s. ILHR 57.02 (2) (c) 2.	1 2 3 4	63,200	47,400	40,500	33,900	27,000	N.P.	N.P.	N.P.	N.P.	N.P.
4. Heavy Timber 1 to 3 story area may be unlimited subject to s. ILHR 57.02 (2) (c) 2.	1 2 3 4	51,200	38,400	31,500	22,200	20,400	N.P.	N.P.	N.P.	N.P.	N.P.
5A. Exterior Masonry Protected 1 to 3 story area may be unlimited subject to s. ILHR 57.02 (2) (c) 2.	1 2 3 4	46,400	34,800	28,800	21,600	16,000	N.P.	N.P.	N.P.	N.P.	N.P.
5B. Exterior Masonry Unprotected 1 story area may be unlimited subject to s. ILHR 57.02 (2) (c) 2.	1 2 3 4	42,000	31,500	25,800	20,400	N.P.	N.P.	N.P.	N.P.	N.P.	N.P.
6. Metal Frame Unprotected 1 story area may be unlimited subject to s. ILHR 57.02 (2) (c) 2.	1 2 3 4	54,000	40,500	33,900	28,200						
7. Wood Frame Protected	1 2 3 4	42,000	31,500	25,800	20,400	N.P.	N.P.	N.P.	N.P.	N.P.	N.P.
8. Wood Frame Unprotected	1 2 3 4	30,000	22,500	11,400	N.P.	N.P.	N.P.	N.P.	N.P.	N.P.	N.P.

N.P. MEANS NOT PERMITTED

ILHR 57.03 Number and location of exits. (1) NUMBER OF EXITS. (a) Except as provided in par. (b), all living units shall have exits or exit accesses in accordance with one of the following:

1. The unit shall have at least one exit access door into a common area of the building arranged such that there are 2 directions of travel from the unit's exit access door leading to separate exits;

2. The unit shall be provided with 2 separate exits contained within the unit;

3. The unit shall be provided with 2 exit access doors into separate common areas, with each common area provided with at least one exit; or

4. The unit shall be provided with an exit access door into a common area with at least one exit, in addition to an exit contained within the unit.

(b) Units with habitable rooms on a floor of exit discharge may be provided with at least one exit, directly from the unit to the exterior, with the unit exit door sill at or within 6 feet of grade at the exit door.

(c) A minimum of 2 exits or exit access doors shall be provided from any living unit which accommodates more than 8 people.

(2) EXIT DISTRIBUTION. The number and location of exits shall be such that in case any exit or passageway is blocked at any point, some other exit will still be accessible through public passageways from every living unit.

(3) DISTANCE TO EXIT. (a) 1. Exits shall be distributed so that the entrance to each living unit will be not more than 100 feet distant from an exit, measuring along public passageways.

Note: Also see s. ILHR 57.08 (2).

2. Where automatic fire sprinkler system protection as specified in s. ILHR 57.016 is provided an increase in exit distance to 150 feet will be permitted.

(b) The exit distances required by this section shall be measured to exits to grade, to doors leading to stairway enclosures as specified in ss. ILHR 51.165, 51.17 and 51.18, or to horizontal exits as specified in s. ILHR 51.19.

(4) **EXITS FOR NONRESIDENTIAL PORTIONS OF BUILDINGS.** Exits serving portions of buildings without sleeping rooms or living units (i.e., basements of apartment buildings, hotel lobbies, and similar areas) shall be provided in accordance with the appropriate occupancy chapter, chs. ILHR 54 to 62, which may govern.

(5) **DIRECTIONS FOR ESCAPE.** An exiting diagram shall be conspicuously posted in every habitable room to be used by transients, including but not limited to those habitable rooms of hotels, motels, rooming houses and dormitories. The exit diagram shall depict the location of the room with respect to other rooms and at least 2 exits.

History: Cr. Register, December, 1981, No. 312, eff. 1-1-82; am. (1), Register, August, 1985, No. 356, eff. 1-1-86; emerg. renum. (2) (a) to be (2) (a) 1., cr. (2) (a) 2., eff. 9-6-86; renum. (2) (a) to be (2) (a) 1., cr. (2) (a) 2., Register, November, 1986, No. 371, eff. 12-1-86; r. and recr. (1) (a) and (b) and (5), renum. (2) to (5) to be (3), (2), (5), and (4) and am. (4), Register, March, 1991, No. 423, eff. 4-1-91; am. (1) (b), Register, January, 1994, No. 457, eff. 2-1-94; correction in (3) (a) 2. made under s. 13.93 (2m) (b) 7, Stats., Register, January, 1994, No. 457.

ILHR 57.04 Capacity of buildings and exits. (1) BUILDINGS. (a) *Sleeping areas.* The capacity of the habitable rooms of the living units of the building, other than a community-based residential facility, shall be established as follows:

1. 400 cubic feet for each occupant over 12 years of age; and

2. 200 cubic feet for each occupant 12 years of age or under.

(b) *Minimum size.* The size of habitable rooms shall provide the minimum volumes specified in par. (a).

(c) *Nonsleeping areas.* The capacity of the areas not within the living units of the building shall be established as specified in s. ILHR 54.05 or 55.06.

(d) *Overcrowding.* The number of occupants permitted in any room or in the building shall not exceed the capacities specified in this section.

(2) **COMMUNITY-BASED RESIDENTIAL FACILITIES.** (a) *Facilities serving 9 to 20 residents.* The minimum size of resident bedrooms in community-based residential facilities serving 9 to 20 residents shall be as follows:

1. Sixty square feet of habitable floor space per ambulatory resident;

2. Eighty square feet of habitable floor space per semiambulatory or nonambulatory resident in multiple bed sleeping rooms; and

3. One hundred square feet of habitable floor space per semiambulatory or nonambulatory resident in single bed sleeping room.

(b) *Facilities serving more than 20 residents.* The minimum size of resident bedrooms in community-based resi-

dential facilities serving more than 20 residents shall be as follows:

1. Eighty square feet of habitable floor space per ambulatory resident;

2. Eighty square feet of habitable floor space per semiambulatory and nonambulatory resident in multiple bed sleeping rooms; and

3. One hundred square feet of habitable floor space per semiambulatory and nonambulatory resident in single bed sleeping rooms.

(c) *Nonsleeping rooms.* In addition to the floor areas required under pars. (a) and (b), a community-based residential facility shall provide habitable floor space, other than sleeping rooms of not less than:

1. Sixty square feet in area for each ambulatory resident;

2. Ninety square feet in area for each semiambulatory resident; and

3. Ninety square feet in area for each nonambulatory resident.

(3) **EXITS.** The total required exit width from each level of the building shall be as specified in ss. ILHR 51.15 (6) and 51.16 (3).

History: Cr. Register, December, 1981, No. 312, eff. 1-1-82; cr. (2) (c), Register, March, 1991, No. 423, eff. 4-1-91.

ILHR 57.05 Type of exits. (1) GENERAL. Except as provided in sub. (2), at least one-half of the required exits, accessible from each living unit, shall be exits to grade or stairways as specified in ss. ILHR 51.15 and 51.16. The remaining exits shall be either stairways, interior enclosed stairways, exits to grade or horizontal exits. Fire escapes placed against blank walls may be used as exits from floors which are not more than 40 feet above grade.

(2) **EXCEPTIONS.** (a) Every building which accommodates more than one family, or 8 persons, above the second story shall have at least 2 stairways.

(b) A rescue platform of combustible construction may be used as a required second exit for buildings of type 5 through type 8 construction, provided the following conditions are satisfied:

1. The exit serves a single living unit;

2. The exit platform is located not more than 15 feet above the adjacent exit discharge grade;

3. The platform area is at least 14 square feet, with a minimum dimension of 3 feet;

4. The platform is designed for 80 pounds per square foot live load plus dead load;

5. Railings are provided as specified in s. ILHR 51.162;

6. Platforms having solid floors are provided with a roof equal in area to that of the platform;

7. All wood used in the construction of the rescue platform shall be pressure treated wood satisfying the requirements of the applicable standards specified in s. ILHR 53.63 (6) unless the wood is inherently resistant to decay; and

8. The building is not a residential care facility, group foster home or home for the elderly.

History: Cr. Register, December, 1981, No. 312, eff. 1-1-82; am. (2) (b) (intro.) and 6., renum. (2) (b) 7. to be (2) (b) 8., cr. (2) (b) 7., Register, December, 1983, No. 336, eff. 1-1-84; am. (2) (b) (intro.) and 7., Register, March, 1991, No. 423, eff. 4-1-91; am. (2) (b) 2., Register, March, 1995, No. 471, eff. 4-1-95.

ILHR 57.06 Doors. (1) EXIT DOORS. Exit doors shall be as specified in s. ILHR 51.15, except:

(a) Sliding glazed patio-type doors may serve as the second exit from individual living units, provided there is a means to prevent accumulation of snow and ice in the door track or freezing of the door; and

(b) A door which is used by not more than 25 persons is not required to swing in the direction of egress.

(2) **OPENINGS INTO CORRIDORS.** All doors from living units opening into public exit access corridors shall be protected by at least 20-minute labeled fire-door assemblies. Such doors shall be self-closing.

(3) **ACCESS DOORS.** Exit access doors from individual living units shall be at least 3 feet 0 inches in width.

History: Cr. Register, December, 1981, No. 312, eff. 1-1-82; r. and recr. (1), am. (2), cr. (3), Register, March, 1991, No. 423, eff. 4-1-91.

ILHR 57.07 Steps, stairs and shafts. (1) EXTERIOR STAIRS. Exterior stairs shall be as specified in s. ILHR 51.16, except that less than 3 steps may be provided between exterior platforms and grade serving only apartments, row houses and town houses, and the platforms or treads between such risers do not exceed 5 feet 0 inches in length in the direction of travel.

(2) **INTERIOR STAIRS.** (a) Interior stairs used by not more than 25 persons shall be not less than 3 feet wide.

(b) Common use interior stairs and steps not provided along an accessible route as specified in s. ILHR 57.82 shall comply with s. ILHR 51.16 (4), except the stairs and steps shall have a rise not more than 7 $\frac{1}{4}$ inches and a tread not less than 9 $\frac{1}{2}$ inches, measured from tread to tread and from riser to riser.

Note: See s. ILHR 57.77 (5) for definition of "common use".

(3) **CHANGES OF ELEVATION WITHIN INDIVIDUAL LIVING UNITS.** (a) Changes of elevation within the living unit shall be overcome by means of steps, stairs or ramps and shall be as specified in s. ILHR 21.04, except a spiral stairway as specified in s. ILHR 51.16 (7) may serve as the only exit from floor levels within an individual living unit, if the floor level served is no larger than 400 square feet in net area.

Note: See appendix for a reprint of s. ILHR 21.04.

(b) A spiral stairway as specified in s. ILHR 51.16 (7) may serve as the only exit from floor levels within an individual living unit, if the floor level served is no larger than 400 square feet.

History: Cr. Register, December, 1981, No. 312, eff. 1-1-82; r. and recr. (3), Register, August, 1985, No. 356, eff. 1-1-86; r. and recr. (3) (a), Register, March, 1991, No. 423, eff. 4-1-91; renum. (2) to be (2) (a), cr. (2) (b), Register, April, 1994, No. 460, eff. 5-1-94.

ILHR 57.08 Enclosure of interior stairways and shafts. (1) APPLICATION. Except as provided in sub. (2), all stairways, including landings, ramps and shafts, shall be enclosed as specified in s. ILHR 51.02 (11) with fire-resistive rated construction as specified in Table 51.03-A.

(2) **EXCEPTIONS.** (a) The exit access stairway or shaft connecting the first and second floor in residential buildings 2 stories or less in height may be left open in the following applications providing the conditions specified in par. (b) are satisfied:

1. Buildings having not more than 4 individual living units per floor each of which is served by 2 or more means of egress; or

2. A building which is used as a rooming house, dormitory or congregate living facility and which has a maximum occupancy limit of 16 persons per floor.

(b) 1. Every exit access stairway or shaft to the basement or ground floor is cut off at the first floor or first adjacent basement or ground floor level with fire resistive construction as specified in Table 51.03-A or better; and

2. The distance to an exit, including the horizontal travel distance on the exit stair, does not exceed 50 feet in buildings not completely protected with an automatic fire sprinkler system or 75 feet in buildings completely protected as specified in s. ILHR 57.016 (1) (b).

History: Cr. Register, December, 1981, No. 312, eff. 1-1-82; am. Register, October, 1982, No. 322, eff. 11-1-82; emerg. am. (2) (b) 2., eff. 9-6-86; am. (2) (b) 2., Register, November, 1986, No. 371, eff. 12-1-86; r. and recr. (2) (a) 2., Register, March, 1991, No. 423, eff. 4-1-91.

ILHR 57.09 Passageways. (1) WHERE REQUIRED. Where there is not direct access to outside exit doors, safe and continuous passageways, aisles or corridors leading directly to every exit shall be maintained at all times on all floors of all buildings.

(2) **MINIMUM WIDTH.** Every public passageway leading from an exit shall be at least as wide as the required width of the exit as specified in s. ILHR 51.15 (6), but in no case shall the width be less than 3 feet.

(3) **WIDTH DETERMINATION.** Widths shall be measured in the clear, at their narrowest points produced by any projection, radiator, pipe or other object.

(4) **MAINTENANCE.** The required width shall be kept clear and unobstructed at all times.

History: Cr. Register, December, 1981, No. 312, eff. 1-1-82.

ILHR 57.10 Illumination of exits and exit signs. (1) ILLUMINATION. (a) Buildings having more than 4 living units or accommodating more than 30 persons or accommodating transients shall have public passageways, stairways and exit doors illuminated from one hour after sunset to one hour before sunrise.

(b) The illumination requirements specified in par. (a) shall be provided at all intersections or passageways, at all exits and at the head, foot and landing of every stairway.

(2) **EXIT LIGHTS.** (a) Except as provided in par. (b), every required exit, from each floor shall be indicated by an approved illuminated, exit sign.

(b) 1. Exits within an individual living unit need not be provided with exit signs.

2. Exits in buildings having 4 living units or less per floor need not be provided with exit signs if the building contains not more than 8 living units and the path of exit from all floor levels including the basement to the outside is readily apparent.

(c) Exit lights shall be as specified in s. ILHR 51.15 (5).

History: Cr. Register, December, 1981, No. 312, eff. 1-1-82; am. (2), Register, December, 1983, No. 336, eff. 1-1-84; am. (2) (c), Register, January, 1994, No. 457, eff. 2-1-94.

ILHR 57.11 Habitable rooms with floors below grade. (1) GENERAL. Living units in residential buildings other than housing for the elderly having habitable rooms or parts on floor levels below grade shall comply with the following:

(a) The grade at the building does not include the grade level within the perimeter of an areaway;

(b) Every habitable room shall have at least one exterior wall adjoining an areaway or court;

(c) Every habitable room shall have at least one outside window which can be opened from the inside without the use of tools to provide a clear opening of not less than 20 inches in width, 24 inches in height, and 5.7 square feet in area, with the bottom of the opening not more than 44 inches above the floor.

(d) All living units with floors below grade shall have access to 2 exits complying with s. ILHR 57.05, except living units having one exit door leading directly outside and not to an areaway need not have access to a second exit.

(2) HOUSING FOR THE ELDERLY. Living units in housing for the elderly having habitable rooms or parts on floor levels below grade shall have at least one exterior wall with a full exterior exposure from the ground floor level to the ceiling. The exterior exposure shall not be made by the construction of an areaway.

(3) AREAWAYS. Areaways used as specified in this section shall:

(a) Be 1½ times the depth to the bottom of the opening with a minimum width of 3 feet measured perpendicular to the building wall; and

Note: See s. ILHR 64.07 for additional requirements.

(b) Have stairway exits complying with ss. ILHR 51.16 and 52.21, when used as a required exit.

(4) MOISTURE PROTECTION. All buildings having living units below grade shall be designed and constructed to prevent undue collection of moisture in all stories below grade.

Note 1: Surface and subsoil draining systems for areaways and foundation walls are regulated under the requirements of ch. ILHR 82.

Note 2: See s. ILHR 50.07 (2) Note 3 for reference to flood plain requirements.

(a) All foundation walls shall be thoroughly damp proofed prior to backfilling of soil.

(b) Provisions shall be made to prevent the accumulation of moisture due to condensation of high humidity so as to prevent slippery floors and to prevent conditions susceptible to mildew or other undesirable fungi or bacteria. The inside design conditions for cooling or dehumidification shall be on the basis of a dry bulb temperature of 75° F. and a relative humidity not greater than 50%.

History: Cr. Register, December, 1981, No. 312, eff. 1-1-82; r. and recr. (1) (c), r. (1) (d) and (e), renum. (1) (f) to be (1) (d), Register, December, 1983, No. 336, eff. 1-1-84; am. (3) (a), Register, January, 1994, No. 457, eff. 2-1-94.

ILHR 57.12 Sanitary facilities. (1) TOILET ROOMS. Every building included under the scope of this chapter shall be provided with separate toilet rooms for each sex, except that a single toilet room to accommodate both sexes may be provided in individual living or sleeping units.

(2) SANITARY FIXTURES. (a) Residents. The number of sanitary fixtures required for each sex shall be determined in accordance with the numbers and ratios established in Table 57.12.

**TABLE 57.12
NUMBER OF SANITARY FIXTURES REQUIRED FOR
RESIDENTIAL OCCUPANCIES^{1,2}**

Type of Occupancy	Type of Fixture					
	Water Closets (WC)		Urinals (U)	Drinking Facilities (DF)	Lavatories (L)	Bathtubs or Showers (S)
	Males (M)	Females (F)				
With individual unit toilet rooms	One for each living unit		0	0	One for each living unit	One for each living unit
With communal use sanitary facilities	One for each 10 (M), or fraction; one for each 10 (F), or fraction		Urinals may be substituted for up to ¼ required (WC) for (M)	One for each 100 persons	One for each 10 persons	One for each 20 persons

¹ For structures with additions or alterations, the required number of sanitary fixtures shall be the sum of the fixtures required for the existing portion at the time it was constructed plus the fixtures required by this table for the new addition or altered area. At such time as the summation of the addition/alteration area is equal to or greater than 51% of the building area calculated as specified in s. ILHR 50.03 (4) (d), fixtures shall be provided in conformance to this table utilizing the capacity of the entire building.

² Where a single toilet room designated as UNISEX is provided, it shall be considered as accommodating no more than 10 employees and 25 occupants.

(b) **Employees.** Sanitary facilities for employees who do not sleep in the building shall be provided as specified in

Table 54.12-A, unless the employees have access to the sanitary facilities provided for the residents during all shifts.

ILHR 57.12

(c) *General public.* Sanitary facilities for the general public shall be provided as specified in Table 54.12-A or Table 54.12-B, unless the general public has access to the facilities provided for the residents.

(3) **FOOD PREPARATION.** One kitchen sink, equipped with hot and cold running water, shall be provided in living units equipped for food preparation.

History: Cr. Register, December, 1981, No. 312, eff. 1-1-82; r. and recr., Register, August, 1993, No. 452, eff. 3-1-94.

ILHR 57.13 Windows. (1) LIGHT. (a) Every habitable room shall be provided with natural light by means of glazed openings.

1. Glazed openings shall consist of windows or skylights or a combination of the two.

2. The area of glazed openings shall equal at least 8% of the floor area of the room served.

3. Glazed openings serving habitable rooms shall view onto the outside, except the glazed openings may obtain borrowed light from naturally lighted pool or recreational areas to serve:

a. Habitable rooms in motels and hotels, or

b. Other similar sleeping rooms accommodating transients.

(2) **VENTILATION.** (a) Except as provided in par. (b), every habitable room shall be provided with natural ventilation by means of openable doors or windows. The openable amount of such doors and windows shall be at least 4% of the floor area of the room.

(b) Habitable rooms in motels and hotels and similar sleeping rooms in buildings accommodating transients shall not be required to be provided with openable doors and windows for ventilation purposes if the rooms are provided with mechanical ventilation supplying tempered outside air as specified in s. ILHR 64.06.

History: Cr. Register, December, 1981, No. 312, eff. 1-1-82; am. (1)(a), Register, October, 1982, No. 322, eff. 11-1-82; am. (1) (a), Register, August, 1985, No. 356, eff. 1-1-86; r. and recr., Register, March, 1991, No. 423, eff. 4-1-91; am. (1) (a) 2., January, 1994, No. 457, eff. 2-1-94.

ILHR 57.14 Isolation of hazards. (1) GENERAL. (a) *Buildings 3 or more stories.* Except as provided in par. (c), all boilers and furnaces, fuel rooms and breeching, storage vaults for paints, oils and similar combustibles and other similar hazards in buildings 3 or more stories in height shall be isolated from the rest of the building by at least a 2-hour fire-resistive rated enclosure as specified in s. ILHR 51.043.

(b) *Buildings less than 3 stories.* Except as provided in par. (c), the hazards specified in par. (a) in buildings less than 3 stories in height shall be isolated from the rest of the building by at least a one-hour fire-resistive rated enclosure as specified in s. ILHR 51.043.

(c) *Exceptions.* 1. The hourly rating of hazard enclosures in mixed use buildings shall comply with the most stringent requirement for the occupancies located in the building.

2. Gas-fired space heaters may be used within living units of apartment buildings and within habitable rooms

Register, April, 1994, No. 460

of motels or tourist courts without an enclosure if approved by the department.

3. Space heaters fired with liquid fuel may be used without an enclosure in motels and apartment buildings not more than one story in height.

4. A residential fuel-fired clothes dryer having a rated capacity of 37,000 Btu/hour or less, may be used without an enclosure.

5. Direct vent sealed combustion chamber appliances may be used without a fire-resistive rated enclosure.

(2) **PROTECTION OF OPENINGS.** All openings in rated enclosures shall be protected by labeled self-closing fire-door assemblies as specified in s. ILHR 51.047.

History: Cr. Register, December, 1981, No. 312, eff. 1-1-82; cr. (1) (c) 5., Register, August, 1985, No. 356, eff. 1-1-86.

ILHR 57.145 Occupancy separations. Occupancies within the scope of this chapter shall be separated from other occupancies or uses in accordance with s. ILHR 51.08.

History: Cr. Register, March, 1991, No. 423, eff. 4-1-91.

ILHR 57.15 Fire protection systems. (1) SPRINKLER SYSTEMS. Automatic fire sprinkler systems shall be provided as outlined in ss. ILHR 52.01, 52.011, 52.012 and 52.013.

(2) **STANDPIPE SYSTEMS.** (a) *Fire department standpipes.* Fire department standpipes shall be provided in all buildings exceeding 60 feet in height.

(b) *Dry standpipes.* Dry standpipes shall be provided in all buildings 3 stories or more in height which accommodate more than 20 occupants, unless an approved automatic sprinkler system as specified in s. ILHR 57.016 is installed. Dry standpipes that are required under this paragraph shall comply with s. ILHR 51.21 (3) (b) and (k).

Note: Dry standpipes that are required under this paragraph are required by s. ILHR 51.21 (6) (b) to be located within stairway enclosures. Other stairway enclosures may be provided that do not include dry standpipes.

History: Cr. Register, December, 1981, No. 312, eff. 1-1-82; emerg. r. and recr. (2), eff. 9-6-86; r. and recr. (2), Register, November, 1986, No. 371, eff. 12-1-86; r. and recr., Register, March, 1991, No. 423, eff. 4-1-91; am. (2) (b), Register, January, 1994, No. 457, eff. 2-1-94.

ILHR 57.16 Smoke detection. (1) NUMBER OF DETECTORS REQUIRED AND LOCATION. (a) All buildings within the scope of this chapter, except CBRF shall be provided with approved smoke detectors as specified in this section.

(b) The owner shall install at least one smoke detector:

1. In the basement;

2. At the head of every open stairway;

3. At the door on each floor level leading to every enclosed stairway; and

4. Either in each sleeping area of each living unit or elsewhere in the unit within 6 feet from the doorway of each sleeping area and not within a kitchen.

(c) All smoke detectors in stairways, corridors and other public places in the building shall be correctly and permanently wired to a proper unswitched circuit.

1. Such detectors shall be connected to the emergency electrical power system, when the system is required by ch. ILHR 16.

2. Such detectors shall be electrically interconnected to the required manual fire alarm system. All smoke detectors, which are electrically interconnected to the manual fire alarm system, shall be a latching type, system detector intended for use with a control panel and shall utilize a supervised circuit.

Note: See s. ILHR 51.245 for additional requirements pertaining to smoke detectors.

(d) Smoke detectors shall be installed and maintained in accordance with s. 101.145 (3), Stats.

Note: Section 101.145 (3), Stats., states: "The owner of a residential building shall install any smoke detector required under this section according to the directions and specifications of the manufacturer of the smoke detector and maintain any smoke detector which is located in a common area of that residential building. The occupant of a unit in a residential building shall maintain any smoke detector in that unit, except that if an occupant who is not an owner, or a state, county, city, village or town officer, agent or employee charged under statute or municipal ordinance with powers or duties involving inspection of real or personal property, gives written notice to the owner that a smoke detector in the unit is not functional the owner shall provide, within 5 days after receipt of that notice, any maintenance necessary to make that smoke detector functional."

(2) RETROACTIVITY. (a) The provisions of sub. (1) (a) and (b) shall apply to all buildings constructed on or after the effective date of this section and to those buildings previously constructed.

(b) 1. If the owner of a building constructed prior to the effective date of this paragraph elects to interconnect the smoke detectors with each other, no more than 6 single station, self-contained, nonlatching smoke detectors shall be so interconnected.

2. If the owner of a building constructed prior to the effective date of this paragraph elects to interconnect the smoke detectors with the manual fire alarm system, the detectors shall be a latching type, system detector intended for use with a control panel and shall utilize a supervised circuit.

History: Cr. (1), Register, December, 1981, No. 312, eff. 1-1-82; cr. (2), eff. 1-1-83; am. (1)(c) 2., Register, October, 1982, No. 322, eff. 11-1-82, am. (2), eff. 1-1-83; am. (1) (a), Register, August, 1985, No. 356, eff. 9-1-85; r. and recr. (1) (b), cr. (1) (d), Register, April, 1990, No. 412, eff. 5-1-90.

ILHR 57.165 Smoke detection for CBRF. (1) GENERAL. All CBRF within the scope of this chapter shall be provided with an approved smoke detection system.

(2) TYPE OF SYSTEM. The smoke detection system specified in sub. (1) shall be at least a low voltage interconnected smoke detection system designed to protect the entire facility and capable of sounding an alarm throughout the facility or at a central location upon actuation of any smoke detector.

(3) SMOKE DETECTOR LOCATION. At least 1 approved interconnected smoke detector shall be provided at the following locations:

(a) At the head of every open stairway;

(b) At the door leading to every enclosed stairway on each floor level;

(c) In every corridor, spaced not more than 30 feet apart and not further than 15 feet from any wall;

(d) In each common use room, including living rooms, dining rooms, family rooms, lounges and recreation rooms but not including kitchens; and

(e) In each sleeping room in which smoking is allowed.

(4) APPLICABILITY. The provisions of this section shall apply to all CBRF constructed on or after the effective date of this section and to those CBRF previously constructed.

Note: See s. ILHR 51.245 for additional requirements pertaining to smoke detectors.

History: Cr. Register, August, 1985, No. 356, eff. 9-1-85.

ILHR 57.17 Fire alarms. (1) GENERAL. (a) Except as provided in par. (b), every building, which can accommodate 20 or more persons, as determined by the requirements specified in s. ILHR 57.04, shall be provided with a manual fire alarm system as specified in s. ILHR 51.24.

(b) Residential occupancies, including hotels and motels, not more than one story in height in which each living unit has a primary swinging exit door at grade level are exempted from the provisions of par. (a).

(2) APPLICATION. This section shall apply to all buildings in existence on the effective date of this section and to those buildings constructed thereafter.

History: Cr. Register, December, 1981, No. 312, eff. 1-1-82; am. (1), Register, October, 1982, No. 322, eff. 11-1-82; am. (1) (b), Register, December, 1983, No. 336, eff. 1-1-84.

ILHR 57.18 Fire extinguishers. (1) GENERAL. Portable fire extinguishers shall be provided in buildings more than one story in height. The extinguishers shall be located in the public areas of the building and comply with the requirements of Table 57.18.

Note: See Appendix A for further explanatory material.

Table 57.18

Basic Minimum Extinguisher Rating for Area Specified	Maximum Travel Distance to Extinguishers (feet)	Area to be Protected per Extinguisher (square feet)
2A	75	6,000
3A	75	9,000
4A	75	11,250
6A	75	11,250

(2) LOCATION. (a) Extinguishers shall be conspicuously located where they are readily accessible and immediately available in the event of fire.

(b) Extinguishers shall not be obstructed or obscured from view.

(3) MAINTENANCE. Portable fire extinguishers shall be maintained as specified in s. ILHR 51.22.

History: Cr. Register, December, 1981, No. 312, eff. 1-1-82; emerg. am. (1), eff. 9-6-86; am. (1), Register, November, 1986, No. 371, eff. 12-1-86; r. and recr. Table, Register, March, 1991, No. 423, eff. 4-1-91.

ILHR 57.19 Rowhouse. (1) VERTICAL OCCUPANCY SEPARATIONS. (a) Each living unit shall be separated from the adjacent living unit by a vertical occupancy separation of not less than one hour fire-resistive construction, ex-

ILHR 57.19

tending from the foundation to the underside of the roof deck.

(b) Piercing of the vertical occupancy separation between the units by doors or windows shall be prohibited.

(c) Piercing of the vertical occupancy separation by mechanical, electrical or plumbing elements may be permitted provided the piercing is as specified in s. ILHR 51.049 and it does not violate the hourly rating of the wall.

Note: Mechanical, electrical or plumbing systems may be located in the occupancy separation wall and components may penetrate one or both sides of the wall within the same stud space. See s. ILHR 51.049 (3) for additional requirements pertaining to plastic components.

(2) **EXITS.** Each living unit shall have a separate exit within 6 feet of the exit discharge grade.

(3) **ATTIC ACCESS.** Each living unit shall have attic access as specified in s. ILHR 51.02 (18) (a). Compliance with the provisions of s. ILHR 51.02 (18) (b) is not required.

(4) **EXCEPTIONS.** Where each living unit has a separate heating system, compliance with ss. ILHR 57.14 and 57.17 is not required.

History: Cr. Register, December, 1981, No. 312, eff. 1-1-82; renum. (1) (a) and (b) to be (1) (b) and (c), cr. (1) (a), Register, August, 1985, No. 356, eff. 1-1-86; am. (2), Register, January, 1994, No. 457, eff. 2-1-94.

ILHR 57.20 Accessibility requirements. All places of abode covered under this subchapter shall comply with the applicable requirements of s. ILHR 52.04.

History: Cr. Register, April, 1994, No. 460, eff. 5-1-94.

Subchapter II — Accessibility Standards for Covered Multifamily Housing

Part 1 — Scope, Purpose and Application

ILHR 57.70 Scope. This subchapter applies to all covered multifamily housing including, but not limited to, apartment buildings, rowhouses, townhouses and condominiums.

History: Cr. Register, April, 1994, No. 460, eff. 5-1-94.

ILHR 57.71 Purpose. (1) **GENERAL.** The purpose of this subchapter is to ensure that all buildings under the scope of this subchapter are designed and constructed to be accessible to people with disabilities.

(2) **SEPARATE BUILDINGS.** Dwelling units within a single structure separated by any fire-resistive rated walls within a structure do not create separate buildings, unless the walls are 4-hour fire-resistive building division walls as defined in s. ILHR 50.01 (144) (a).

Note: This subchapter does not invalidate or limit the remedies, rights and procedures of federal laws or local laws that provide greater or equal protection for the rights of individuals with disabilities or individuals associated with them.

History: Cr. Register, April, 1994, No. 460, eff. 5-1-94.

Part 2 — Departmental Action

ILHR 57.74 Plan examination and department action. Conformance with the accessibility requirements as specified in this subchapter shall be presented as a part of the Register, April, 1994, No. 460

general plan submittals as required under s. ILHR 50.12.

History: Cr. Register, April, 1994, No. 460, eff. 5-1-94.

Part 3 — Definitions

ILHR 57.77 Definitions. In this subchapter:

(1) "Accessible" means able to be approached, entered and used by persons with disabilities.

(2) "Accessible route" means a continuous unobstructed path connecting accessible elements and spaces in a building or within a site or from a site to a vehicular route, that can be negotiated by all persons with a disability. Interior accessible routes include corridors, floors, ramps, elevators and lifts. Exterior accessible routes include parking access aisles, curb ramps, walks, ramps and lifts.

(3) "Bathroom" means a room which contains a water closet, lavatory and bathtub or shower.

(4) "Clear" means unobstructed.

(5) "Common use areas" means rooms, spaces or elements inside or outside of a building that are made available for the use of residents of a building or their guests and which are not within an individual living unit.

(6) "Covered multifamily housing" means any of the following housing or dwelling units that are first ready for occupancy on or after October 1, 1993:

(a) Housing consisting of 3 or more dwelling units if the housing has one or more elevators;

(b) Grade-level dwelling units, in housing without elevators, consisting of 3 or more dwelling units; or

(c) Multilevel dwelling units without elevators in any housing consisting of 3 or more dwelling units with separate exterior entrances.

(7) "Dwelling unit" means a single unit of residence for a household of one person or a family.

(8) "Entrance" means any exterior access door to a building or portion of a building used by residents to enter the building. An "entrance" does not include a door to a loading dock or a door used primarily as a nonrequired service entrance, even if nondisabled residents occasionally use that door to enter.

(9) "Finished grade" means the ground surface of the site after all construction, leveling, grading, and development has been completed.

(10) "Grade-level floor" means the floor of a building closest to finished grade that contains dwelling units.

Note: See s. ILHR 57.81 (1) for accessible building entrances to a grade-level floor.

(11) "Loft" means an intermediate level floor between the floor and ceiling of any story located within a room or rooms of a dwelling unit.

(12) "Multilevel dwelling unit" means an individual dwelling unit with finished living space located on one floor level and a floor level immediately above or below it.

(13) "Powder room" means a room which contains a water closet and a lavatory.

(14) "Primary floor" means a floor which is intended for use by the employes or patrons, or both. A floor used primarily for mechanical purposes or storage, or both, will not be considered as a primary floor.

(15) "Public use areas" means interior or exterior rooms or spaces of a building that are made available to the general public.

(16) "Single-level dwelling unit" means an individual dwelling unit with all of the finished living space located on one floor.

(17) "Site" means a parcel of land bounded by property lines.

(18) "Slope" means the relative steepness of the land between two points.

(19) "Undisturbed site" means the site before any construction, leveling, grading, or development associated with the current project.

(20) "Vehicular or pedestrian arrival points" means public or resident parking areas, public transportation stops, passenger loading zones, and public streets or sidewalks.

(21) "Vehicular route" means a route intended for vehicular traffic, such as a street, driveway or parking lot.

History: Cr. Register, April, 1994, No. 460, eff. 5-1-94.

Part 4 — General Requirements

ILHR 57.78 Accessibility requirements, new construction. All covered multifamily housing constructed on or after May 1, 1994 shall comply with the accessibility requirements in ss. ILHR 57.81 to 57.871.

History: Cr. Register, April, 1994, No. 460, eff. 5-1-94.

ILHR 57.79 Accessibility requirements for additions and remodeled covered multifamily housing. (1) GENERAL. All existing multifamily housing being remodeled or added to under this section shall comply with the following:

(a) *More than 50% remodeled or added.* If more than 50% of the gross interior area of an existing multifamily housing building is remodeled or added to, the entire building shall be designed and constructed in accordance with the accessibility requirements specified in ss. ILHR 57.81 to 57.871.

(b) *25% to 50% remodeled or added.* If 25% to 50% of the gross interior area of an existing multifamily housing building is remodeled or added to, that portion of the building being remodeled or added to shall be designed and constructed in accordance with the accessibility standards specified in ss. ILHR 57.81 to 57.871.

(c) *Less than 25% remodeled or added.* If less than 25% of the gross interior area of an existing multifamily housing building is remodeled or added to, the remodeling is not subject to the accessibility standards specified in ss. ILHR 57.81 to 57.871, unless the alteration involves work on in-

terior doors, entrances, exits, bathrooms or toilet rooms, in which case the interior doors, entrances, exits, bathroom or toilet rooms shall comply with the standards specified in ss. ILHR 57.81 to 57.871.

(2) REMODELING OR ADDING IN STAGES. The percentage requirements established in this section apply to the accumulative sum of any remodeling or additions, or both, undertaken after May 1, 1994.

(3) EXISTING BUILDINGS WITH MIXED OCCUPANCIES. (a) *Buildings with an area of 20,000 square feet or less.* If an existing building with mixed occupancies is remodeled or added to and the gross interior area of the building after remodeling or adding to is 20,000 square feet or less, access and interior circulation shall be provided to a primary floor. Interior circulation between floor levels is not required.

(b) *Buildings with an area greater than 20,000 square feet.* If an existing building with mixed occupancies is remodeled or added to and the gross interior area of the building after the remodeling or adding to is greater than 20,000 square feet, access and interior circulation shall be provided to all floor levels. The method of interior circulation provided between the floor levels shall comply with the applicable provisions in s. ILHR 52.04.

(4) CHANGE OF USE. If the use of an existing building is changed to a covered multifamily housing use and building is remodeled or added to, the building shall comply with this section.

History: Cr. Register, April, 1994, No. 460, eff. 5-1-94.

Part 5 — Accessibility requirements

ILHR 57.81 Accessible building entrance on an accessible route. Covered multifamily housing shall comply with this section and Table 57.81 for the number of accessible entrances and exits, dwelling units and the accessible interior features required in the dwelling units.

(1) ACCESSIBLE BUILDING ENTRANCES TO A GRADE-LEVEL FLOOR. Except for covered multifamily housing with site impracticality as specified in sub. (4), the grade-level floor of each covered multifamily housing building on a site shall be served by a building entrance on an accessible route. In addition to the designated grade-level floor with dwelling units, all other floors containing dwelling units which are located within 30 inches of finished grade shall be served by a building entrance on an accessible route.

(2) ACCESSIBLE ENTRANCE DOOR. Each accessible entrance door to a covered multifamily housing building shall be at least 36 inches in width. Minimum space requirements at the latch side of the door shall comply with the applicable portions of Table 57.82.

(3) ACCESSIBLE ROUTE. Except for covered multifamily housing with site impracticality as specified in sub. (4), each building on a site shall have at least one accessible route complying with applicable portions of Table 57.82.

ILHR 57.81

Table 57.81
NEW CONSTRUCTION REQUIREMENTS

Types of Covered Multifamily Housing	Number of Accessible Entrances ¹	Number of Required Accessible Exits from Grade-Level Floor ²	Number of Accessible Dwelling Units	Accessible Features of Dwelling Unit
I. Covered multifamily housing without elevators				
A. Housing with common entrances to a grade-level floor with dwelling units				
1. Single-level dwelling units	All entrances ³	All required exits ^{4, 5, 6}	All dwelling units on the grade-level floor	ss. ILHR 57.82 to 57.871
2. Multilevel dwelling units	All entrances ³	All required exits ^{4, 5, 6}	Grade-level portion of dwelling units on the grade-level floor	ss. ILHR 57.82 to 57.871
B. Housing with separate exterior entrances to each dwelling unit				
1. Single-level dwelling units	All entrances ³	All required exits ^{4, 5, 6}	All grade-level dwelling units	ss. ILHR 57.82 to 57.871
2. Multilevel dwelling units	All entrances ³	All required exits ^{4, 5, 6}	At least 25% or fraction thereof of the total number of dwelling units in each building shall have accessible entrances The other dwelling units do not require accessible entrances	ss. ILHR 57.82 to 57.871 required on the grade-level portion of all multilevel dwelling units The multilevel dwelling units having accessible entrances shall be designed with accessible features, ss. ILHR 57.82 to 57.87, on all floor levels ⁷
II. Covered multifamily housing with elevators ⁸				
A. Single-level dwelling units	All entrances ³	All required exits ^{4, 5, 6}	All dwelling units on all floors served by an elevator shall be accessible	ss. ILHR 57.82 to 57.871 required in all dwelling units on all floors served by an elevator
B. Multilevel dwelling units	All entrances ³	All required exits ^{4, 5, 6}	Grade-level portions of all multilevel dwelling units on all floors served by an elevator shall be accessible	ss. ILHR 57.82 to 57.871 required in grade-level portion of all dwelling units on all floors served by an elevator

¹An accessible entrance may also serve as a required exit.

²Exits required by chs. ILHR 50 to 64.

³Where all entrances are not accessible, site impracticality for the nonaccessible entrances shall be determined through the petition process.

⁴Where a rescue platform as specified in s. ILHR 57.05 (2) or an exterior stairway is provided as a second exit from an individual dwelling unit, the rescue platform or exterior stairway shall be sized to accommodate at least one wheelchair space. The wheelchair space shall measure at least 30 inches by 48 inches and the swing of the exit door shall not infringe into the wheelchair space.

⁵A second exit from a grade-level floor with dwelling units may be to an exterior stairway, providing the exit stairway platform is sized to accommodate space for two wheelchairs. Each wheelchair space shall measure at least 30 inches by 48 inches and the swing of the exit door shall not infringe into the wheelchair spaces.

⁶Where all exits are not accessible, site impracticality for the nonaccessible exits shall be determined through the petition process.

⁷Interior circulation via an elevator or mechanical lifting device is not required between floor levels.

⁸Where a building elevator is provided only as a means of creating an accessible route to dwelling units on a grade-level floor, the building is not considered an elevator building, only the grade-level dwelling units shall be accessible.

(4) **SITE IMPRACTICALITY DUE TO TERRAIN OR UNUSUAL CHARACTERISTICS OF THE SITE.** (a) *Petition for variance.* Except for housing in floodplains or coastal high-hazard areas as specified in par. (d), the department may grant a variance from the requirements relating to an accessible entrance or an accessible route to a covered multifamily housing without elevators, if the person designing, constructing or remodeling the housing shows that complying with the accessible entrance or an accessible route is impractical because of the terrain or unusual characteristics of the site. Site impracticality shall be determined through the petition for variance procedure specified in s. ILHR 50.25.

(b) *Determining site impracticality.* To determine the site impracticality of an undisturbed site, the designer shall use the site impracticality requirements as specified in requirement number 1., (2) of the federal fair housing accessibility guidelines, as printed in the federal register, volume 56, number 44, on March 6, 1991.

Note: See Appendix for a copy of the site impracticality guidelines from the federal register.

(c) *Petition conditions and waiver.* Exterior accessibility shall be provided to at least 50% of the dwelling units of covered multifamily housing at one site. The department may impose specific conditions in granting a variance to promote exterior accessibility of the covered multifamily housing to persons with disabilities. If the department finds that exterior accessibility is impractical to all dwelling units at a site, the department may grant a waiver from the exterior requirements under sub. (1).

(d) *Floodplains and coastal high-hazard areas.* A petition for variance is not required for covered multifamily housing located in a federally, state or locally designated floodplain or coastal high-hazard area. Written documentation shall be submitted to this department for approval indicating the covered multifamily housing building is located such that the lowest floor or the lowest structural member of the lowest floor must be raised to a specified level at or above the base flood elevation.

History: Cr. Register, April, 1994, No. 460, eff. 5-1-94.

ILHR 57.82 Accessible and usable public and common use areas. (1) **GENERAL PUBLIC AND COMMON USE AREAS.** All public and common use areas, such as hallways, lounges, lobbies, laundry rooms, refuse rooms, mail rooms, recreational areas and passageways among and between buildings in covered multifamily housing shall comply with Table 57.82 and the appropriate sections of the Americans with Disabilities Act Accessibility Guidelines (ADAAG), as printed in Part III of the July 26, 1991 Federal Register and the September 6, 1991 Federal Register and as corrected in the January 14, 1992 Federal Register. Table 57.82 cites the appropriate section of the ADAAG standards and describes the appropriate application of the standards, including modifications to the referenced standard.

Note: Copies of the ADAAG standards can be obtained from the New Orders, Superintendent of Documents, P.O. Box 371954, Pittsburgh, Pennsylvania 15250-7954.

(2) **ACCESSIBLE PARKING SPACES.** If parking spaces, such as surface parking or garage parking, are provided at covered multifamily housing, accessible parking spaces shall be provided and designed in accordance with the following:

(a) *Size.* 1. 'Tenant parking.' a. Except as specified in subpar. b, an accessible parking space shall be at least 96 inches wide with an adjacent marked access aisle at least 60 inches wide.

b. A private garage serving an individual accessible dwelling unit shall have a minimum clear inside dimension of 13 feet in width.

2. 'Visitor parking.' An accessible parking space when provided for visitors shall be at least 96 inches wide with an adjacent marked access aisle at least 60 inches wide.

(b) *Number of accessible parking spaces.* 1. 'Tenant parking.' At least 2% of the total number of tenant parking spaces at each type of parking facility, such as surface parking or garage parking, shall be accessible. In no case shall there be less than one accessible parking space at each type of parking facility at each building.

2. 'Visitor parking.' If visitor parking is provided in addition to the tenant parking, at least 2% of the visitor parking spaces, with a minimum of one, shall be accessible.

(c) *Accessible route.* 1. 'General.' Except as specified in subd. 2., an exterior accessible route shall be provided from each accessible parking space to an accessible building entrance. The accessible parking spaces shall be located as close as possible to the accessible building entrance.

2. 'Exceptions.' a. In a covered multifamily housing building with underground parking, interior circulation to a grade-level floor with dwelling units may be provided in lieu of an exterior accessible route from the underground parking to an accessible building entrance. The method of interior circulation shall be an elevator or another approved method of interior circulation as specified in s. ILHR 52.04 and ch. ILHR 18.

b. In a covered multifamily housing building without elevators and having underground parking, on-grade covered garage parking located on an exterior accessible route to an accessible building entrance may be used in lieu of the underground accessible parking spaces and the exterior accessible route from the underground parking facility.

3. 'Private attached garages.' If a single-level dwelling unit or an accessible multilevel dwelling unit has an attached garage which serves only that dwelling unit, an exterior or interior accessible route shall be provided from the attached garage to an accessible dwelling unit entrance.

(d) *Passenger loading zones.* If passenger loading zones are provided, the passenger loading zones shall be designed and installed to comply with ADAAG 4.6.6.

(e) *Identification.* 1. 'Tenant parking.' The accessible tenant parking spaces provided at covered multifamily housing shall be designated with a sign which clearly states that the parking space is reserved for use by tenants with disabilities. The sign specified in s. Trans 200.07 shall not be used to identify tenant accessible parking spaces.

2. 'Visitor parking.' Accessible visitor parking spaces shall be identified with a sign complying with s. Trans 200.07. Additional signs shall be installed to direct persons from the accessible parking space to the accessible entrance.

TABLE 57.82
BASIC COMPONENTS FOR ACCESSIBLE AND USABLE PUBLIC
AND COMMON USE AREAS OR FACILITIES

Accessible element or space	ADAAG Section	Application
1. Accessible route(s)	4.3	(1) Except as specified in (2), within the boundary of the site: (a) From public transportation stops, accessible parking spaces, accessible passenger loading zones, and public streets or sidewalks to accessible building entrances. (b) Connecting accessible buildings, facilities, elements and spaces that are on the same site. Handrails are not required on accessible walks. Handrails shall be provided on ramps with a slope of 1:12. (c) Connecting accessible building or facility entrances with accessible spaces and elements within the building or facility, including adaptable dwelling units. (2) Where site or legal constraints prevent a route accessible to persons using wheelchairs between covered multifamily dwellings and public or common use facilities elsewhere on the site, a vehicular route may be provided as an alternative accessible route, providing there is accessible parking at each facility. Other site provisions shall comply with the applicable portions of this table.
2. Protruding objects	4.4	Accessible route or maneuvering space including, but not limited to halls, corridors, passageways or aisles.
3. Ground and floor surface treatments	4.5	Accessible routes, rooms and spaces, including floors, walks, ramps, stairs and curb ramps.
4. Parking and passenger loading zones	4.6.6	If provided, accessible parking at covered multifamily housing shall comply with s. ILHR 57.82 (2). If provided, passenger loading zones shall comply with ADAAG 4.6.6.
5. Curb ramps	4.7	Accessible routes crossing curbs.
6. Ramps	4.8	Accessible routes with slopes greater than 1:20 shall comply with ADAAG 4.8, except the ramp width shall be at least 48 inches.
7. Stair	4.9	Stairs on accessible routes connecting levels not connected by an elevator. Stairs not on accessible routes shall comply with s. ILHR 57.07.
8. Elevator	4.10	If provided, elevators shall comply with s. ILHR 52.04 and ch. ILHR 18.
9. Platform lift	4.11	May be used in lieu of an elevator or ramp only as specified in s. ILHR 52.04.
10. Drinking fountains and water coolers	4.15	Fifty percent of fountains and coolers on each floor, or at least one, water coolers if provided in the facility or at the site.
11. Toilet rooms and bathing facilities (including water closets, toilet rooms and stalls, urinals, lavatories and mirrors, bathtubs, shower stalls and sinks)	4.22	Where provided in public use and common use facilities, at least one of each fixture provided per room.
12. Seating, tables or work surfaces	4.32	If provided in accessible spaces, at least one of each type provided.
13. Places of assembly	4.33	If provided in the facility or at the site.
14. Common use spaces and facilities (including swimming pools, playgrounds, entrances, rental offices, lobbies, elevators, mailbox areas, lounges, halls and corridors, and the like)	4.1 through 4.33	If provided in the facility or at the site: (a) Where multiple recreational facilities such as, but not limited to tennis or racketsball courts, are provided at least 10% with a minimum of one recreational facilities or game area of each type shall be accessible. (b) Access is required to all spectator viewing for recreational facilities. (c) Access is required only to the deck area of such facilities as, but not limited to, swimming pools and whirlpools. (d) Where practical, access to all or a portion of nature trails and jogging paths.
15. Laundry rooms	4.32.6	If provided in the facility or at the site, at least one of each type of appliance provided in each accessible laundry area shall be accessible. Where washers are provided, at least one washer shall be front-loading.

History: Cr. Register, April, 1994, No. 460, eff. 5-1-94.

ILHR 57.83 Usable doors. All covered multifamily housing shall provide usable doors as follows:

(1) **PUBLIC AND COMMON USE AREAS.** (a) *Doorways.* All doorways that are part of an accessible route in the public and common use areas of covered multifamily housing shall have a minimum clear opening of 32 inches in width and shall comply with the applicable portions of Table 57.82, and Figures 57.83-1 and 57.83-2.

(b) *Double leaf doorways.* Where double leaf doorways are used in covered multifamily housing at least one door

leaf shall provide a minimum clear opening of 32 inches in width.

(c) *Lever door handles.* Lever door handles shall be provided on all entrance and exit doors and on all entrance doors to individual dwelling units of covered multifamily housing.

(2) **INDIVIDUAL DWELLING UNITS.** (a) *Doorways.* All single leaf doorways and at least one door leaf of double leaf doorways into and within individual dwelling units shall provide a minimum clear opening of at least 32 inches nominal width between the face of the door and stop.

Note: A 34-inch door, hung in the standard manner, provides an acceptable nominal 32-inch clear opening. This door can be adapted to provide a wider opening by using offset hinges, by removing lower portions of the door stop or both. Pocket or sliding doors are acceptable doors in covered multifamily dwelling units and have the added advantage of not impinging on clear floor space in small rooms. The nominal 32-inch clear opening provided by a standard six-foot sliding patio door assembly is acceptable.

with the minimum design standards specified in Figure 57.83-2.

(c) *Lever door handles.* Lever door handles on interior dwelling unit doors may be requested by the renter and shall be provided by the landlord at no additional cost to the renter.

(b) *Doorways and corridors.* All doorways and corridors shall be designed to provide access and shall comply

FIGURE 57.83-1 CLEAR DOORWAY WIDTH AND DEPTH

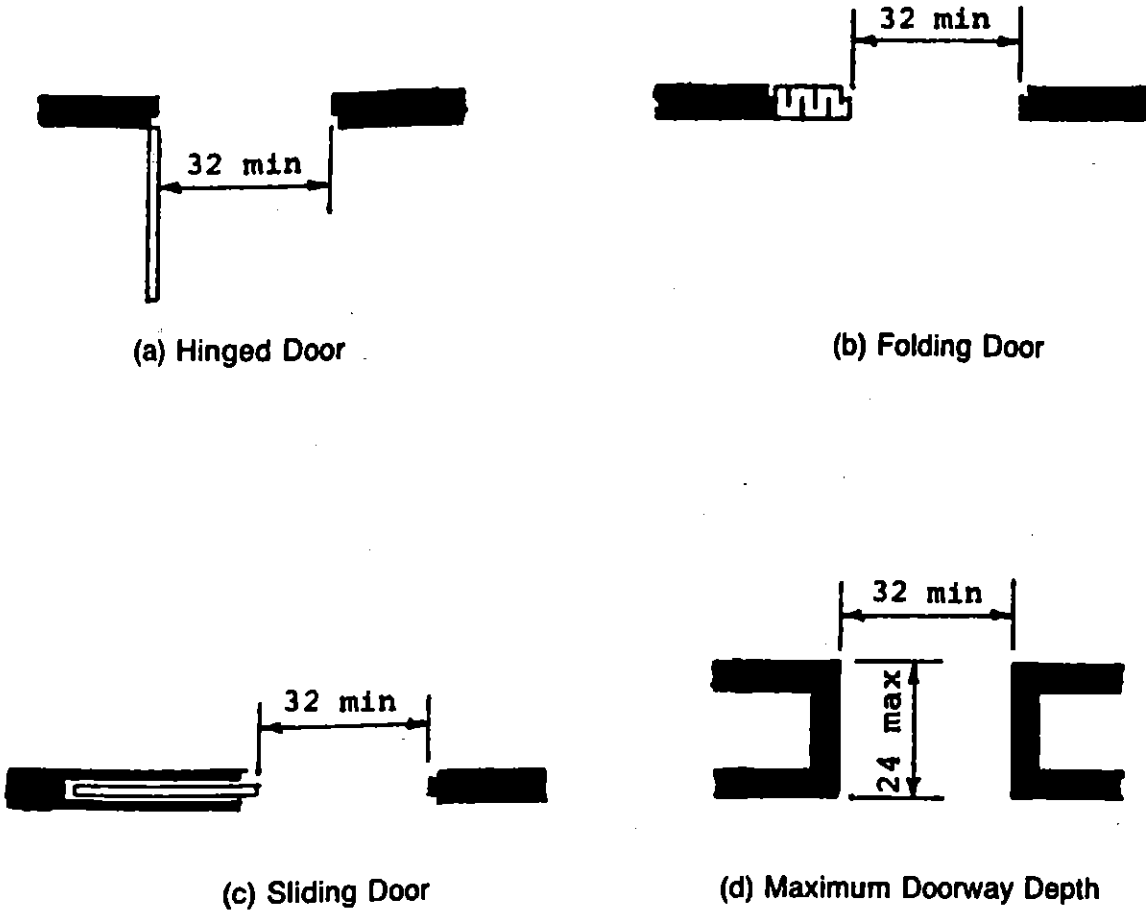
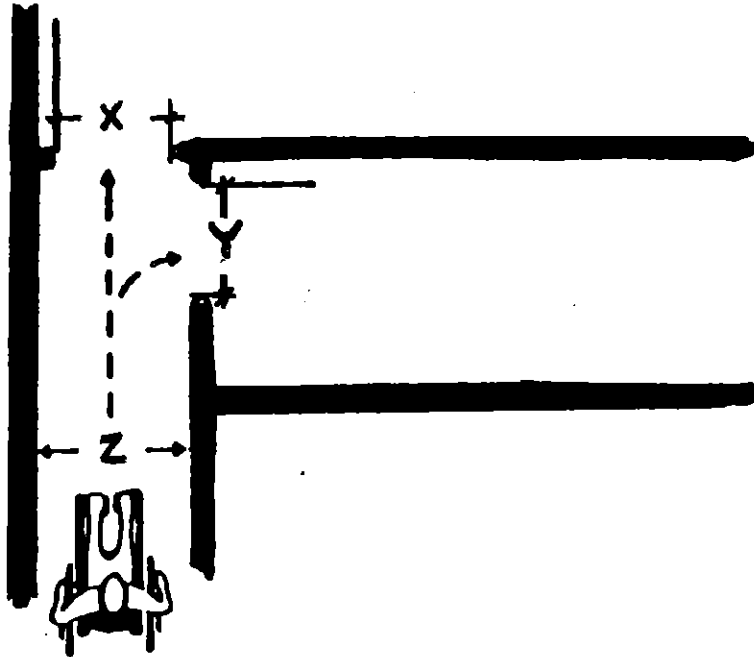


FIGURE 57.83-2 DOORWAYS AND CORRIDORS



MINIMUM CLEAR DOORWAY AND CORRIDOR DIMENSIONS

CORRIDOR WIDTH Z Dimension ¹	DOORWAY CLEARANCES	
	X (Straight run)	Y (90 degree turn)
36 inches	32 inches	36 inches
38 inches	32 inches	36 inches
40 inches	32 inches	34 inches
42 inches and greater	32 inches	32 inches

¹The corridor width, Z dimension, shall be maintained for a distance of at least 5 feet from the edge of the door opening.

History: Cr. Register, April, 1994, No. 460, eff. 5-1-94.

ILHR 57.84 Accessible route into and through the covered dwelling unit. (1) ACCESSIBLE ROUTE. Except as specified in sub. (2), an accessible route complying with the following requirements shall be provided throughout a dwelling unit in covered multifamily housing.

(a) *Minimum width.* An accessible route shall provide a minimum clear width of 36 inches.

(b) *Changes in floor level.* Within dwelling units, changes in floor levels between $\frac{1}{4}$ inch and $\frac{1}{2}$ inch shall be beveled with a slope no greater than 1:2. Changes in level greater than $\frac{1}{2}$ inch shall be ramped in accordance with the applicable portions of Table 57.82.

(c) *Thresholds at exterior doors.* Thresholds at exterior doors, including sliding door tracks, shall be no higher

than $\frac{3}{4}$ inch. Thresholds and changes in level at exterior door locations shall be beveled with a slope no greater than 1:2.

(d) *Exterior landing.* 1. Except as specified in subd. 2., an exterior landing shall be provided at all required exits or entrances of covered multifamily housing and the landing shall be no more than $\frac{1}{2}$ inch below the floor level of the interior of the dwelling unit. The exterior landing shall have a side slope not greater than 1/8 inch per foot and shall be at least 5 feet deep measured perpendicular to the door and shall provide at least 18 inches of clear landing surface adjacent to the door knob side of the door.

2. Exterior deck, patio or balcony surfaces shall be no more than $\frac{1}{2}$ inch below the floor level of the interior of the dwelling unit, unless the exterior deck, patio or balcony surfaces are constructed of impervious material such

as, but not limited to, concrete, brick or flagstone. In such cases, the surface shall be no more than 4 inches below the floor level of the interior of the dwelling unit.

(2) **EXCEPTIONS.** (a) *Raised or sunken areas.* An accessible route is not required to a raised or sunken area of an individual dwelling unit. The raised or sunken area shall not interrupt the accessible route throughout the remainder of the dwelling unit.

(b) *Single-level dwelling units with lofts.* Single-level dwelling units may include lofts. In single-level dwelling units with lofts, all spaces other than the loft shall be on an accessible route. All portions of a loft shall be open and unobstructed to the room in which they are located, except for columns and posts and protective walls or railings not more than 44 inches in height. The area of the loft shall not be more than one-third of the area of the floor level located directly below the loft in the dwelling unit.

(c) *Multilevel dwelling units in housing with elevators.* In multilevel dwelling units in buildings with elevators, an accessible route shall be provided on the level of the dwelling unit which is served by the building elevator and shall:

1. Include the primary entry to the dwelling unit;
2. Comply with the accessibility standards specified under this subchapter with respect to the rooms located on the entry or accessible floor; and
3. Contain a bathroom or a powder room which complies with ss. ILHR 57.86 and 57.871.

(d) *Multilevel dwelling units in housing without elevators.*

1. All grade-level portions of multilevel dwelling units shall comply with the accessibility standards under this subchapter with respect to the rooms located on a grade-level floor and shall contain a bathroom or powder room on the grade-level floor;

2. At least 25% of the total number of multilevel dwelling units with separate exterior entrances, in housing without elevators, shall be designed and constructed with interior accessible features as specified in ss. ILHR 57.83 to 57.871 on all floors.

History: Cr. Register, April, 1994, No. 460, eff. 5-1-94.

ILHR 57.85 Light switches, electrical outlets, thermostats and other environmental controls in accessible locations. Light switches, electrical outlets, thermostats,

circuit controls and other environmental controls installed in covered multifamily housing shall be located for use by the tenant as follows:

(1) **HEIGHT OF CONTROLS.** Except as specified in sub. (2), operable parts of the controls shall be located no higher than 48 inches and no lower than 15 inches above the floor.

(2) **HEIGHT OF CONTROLS OVER OBSTRUCTIONS.** If a person is required to reach over an obstruction which is between 20 and 25 inches in depth, the maximum height shall be reduced to 44 inches for a forward approach or 46 inches for a side approach. Obstructions shall not extend more than 25 inches from the wall beneath a control.

Note: See Appendix for example of reach dimensions over an obstruction.

History: Cr. Register, April, 1994, No. 460, eff. 5-1-94.

ILHR 57.86 REINFORCED WALLS FOR GRAB BARS. All covered multifamily housing shall provide reinforced walls for grab bars as follows:

(1) **LOCATION.** (a) Except as specified in sub. (2), reinforced bathroom walls shall be provided to allow the later installation of grab bars around the water closet, tub, shower stall and shower seat, where such facilities are provided. Reinforced areas shall be provided at least at those points where grab bars will be mounted as shown in Figures 57.86-1, 57.86-2 and 57.86-3.

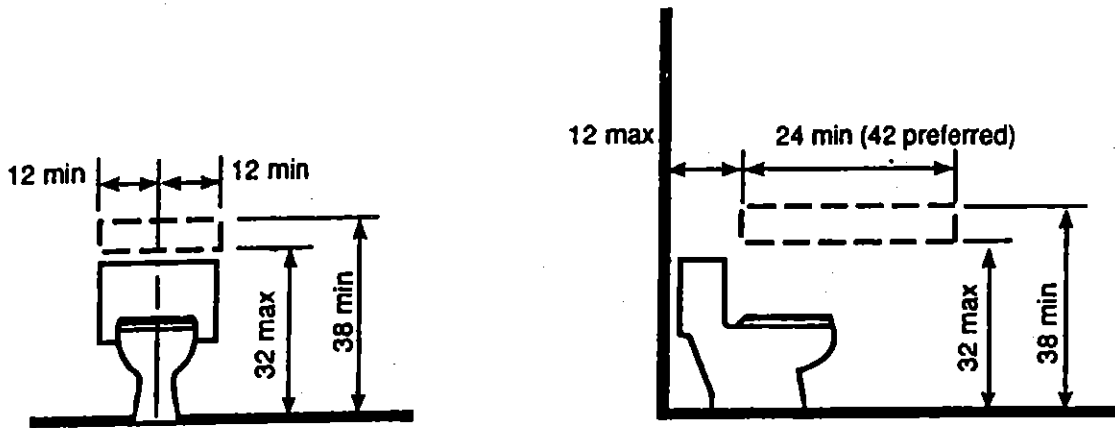
(b) If a powder room, containing a water closet and sink, is the only toilet facility located on an accessible level of a multilevel dwelling unit, reinforced bathroom walls shall be provided to allow the later installation of grab bars around the water closet and sink.

(2) **EXCEPTION.** Where the water closet is not placed adjacent to a side wall, the areas where the installation of floor mounted, foldaway or similar alternative grab bars would be installed shall be reinforced.

Note 1: A sunken tub placed away from walls could have reinforced areas for installation of floor-mounted grab bars. The same principle applies to shower stalls; for example glass-walled stalls could be planned to allow floor-mounted grab bars to be installed later.

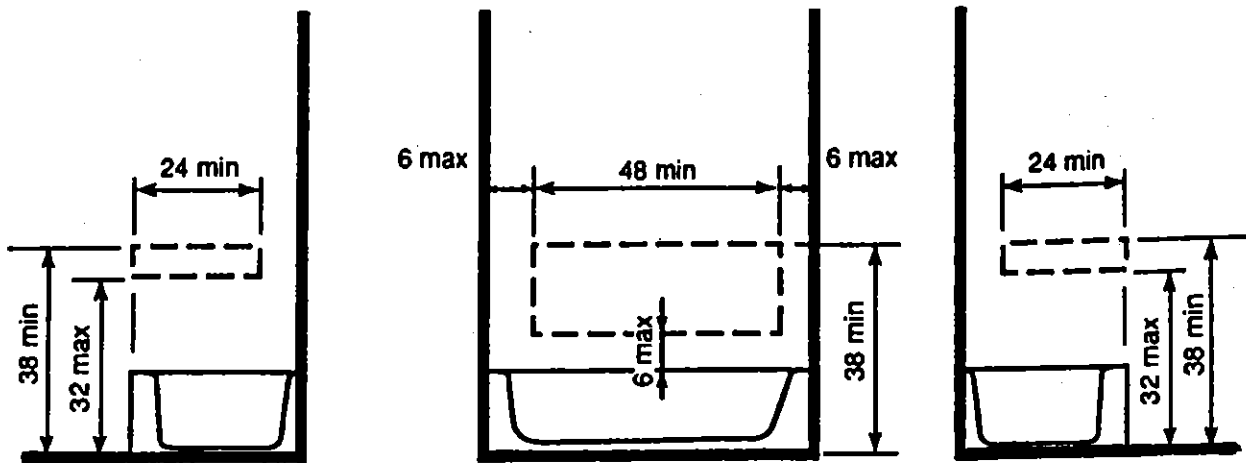
Note 2: Reinforcement for grab bars may be provided in a variety of ways such as, by plywood or wood blocking, so long as the necessary reinforcement is placed so as to permit later installation of appropriate grab bars.

FIGURE 57.86-1
LOCATION OF GRAB BAR REINFORCEMENT FOR WATER CLOSETS



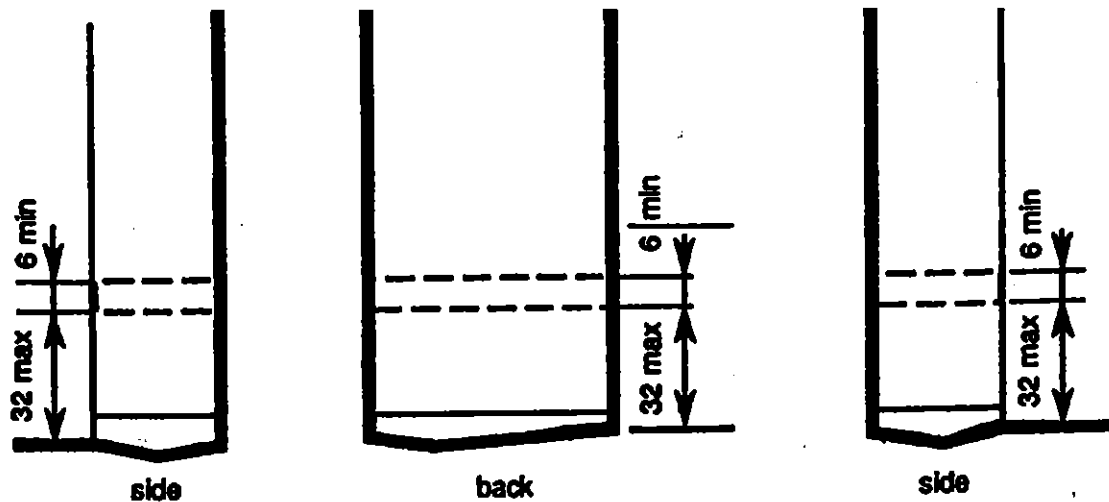
Reinforced Areas for Installation
of Grab Bars

FIGURE 57.86-2
LOCATION OF GRAB BAR REINFORCEMENT FOR ADAPTABLE BATHTUBS



NOTE: The areas outlined in dashed lines represent locations for future installation of grab bars for typical fixture configurations.

FIGURE 57.86-3
LOCATION OF GRAB BAR REINFORCEMENTS FOR ADAPTABLE SHOWERS



NOTE: The areas outlined in dashed lines represent locations for future installation of grab bars.

History: Cr. Register, April, 1994, No. 460, eff. 5-1-94.

ILHR 57.87 Usable kitchens. Kitchens of covered multi-family housing shall be designed and constructed as follows:

(1) **CLEAR FLOOR SPACE.** A clear floor space at least 30 inches by 48 inches that allows a parallel approach by a person in a wheelchair shall be provided at the range or cooktop and sink, and either a parallel or forward approach shall be provided at the oven, dishwasher, refrigerator, freezer or trash compactor.

Note: See Appendix for the minimum clear floor space for wheelchairs.

(2) **CLEARANCE BETWEEN COUNTERS.** Clearance between counters and all opposing base cabinets, countertops, appliances or walls shall be at least 40 inches.

(3) **U-SHAPED KITCHENS.** In U-shaped kitchens with a sink, range or cooktop at the base of the "U," a 60-inch turning radius shall be provided to allow a parallel approach, or the base cabinets shall be removable at that location to allow knee space for a forward approach.

History: Cr. Register, April, 1994, No. 460, eff. 5-1-94.

ILHR 57.871 Usable bathrooms. At least one bathroom in a dwelling unit shall be designed in accordance with sub. (2). All other bathrooms shall comply with sub. (1).

(1) **BASIC USABILITY.** (a) *Design of bathroom.* Maneuvering space shall be provided within the bathroom for a person using a wheelchair or other mobility aid to enter and close the door, use the fixtures, reopen the door and exit. Doors may swing into the clear floor space provided at any fixture if the maneuvering space is provided. Maneuvering spaces may include any kneespace or toespace available below bathroom fixtures.

Note: See Appendix for an example of a bathroom complying with the basic usability requirements.

(b) *Clear floor space.* Clear floor space of 30 inches by 48 inches shall be provided at all fixtures. Clear floor space at fixtures may overlap.

Note 1: See Appendix for examples of clear floor space at bathroom fixtures.

Note 2: Cabinets under lavatories are acceptable provided the bathroom has space to allow a parallel approach by a person in a wheelchair. If a parallel approach is not possible within the space, any cabinets provided would have to be removable to afford the necessary knee clearance for a forward approach.

(c) *Shower stall.* If a shower stall is the only bathing facility provided in the covered dwelling unit, the shower stall shall have an inside dimension at least 36 inches by 36 inches.

(2) **HIGHER LEVEL OF USABILITY.** (a) *Design of bathroom.*
1. Where the door swings into the bathroom, a clear floor space of 30 inches by 48 inches shall be provided within the room for a person to position a wheelchair or other mobility aid clear of the swing of the door and to permit use of fixtures. This clear floor space may include any kneespace and toespace available below bathroom fixtures.

2. Where the door swings out of the bathroom, a clear floor space of 30 inches by 48 inches shall be provided within the bathroom for a person using a wheelchair or other mobility aid to position the wheelchair such that the person is allowed use of fixtures. Clear floor space shall be provided to allow persons using wheelchairs to reopen the door to exit.

Note: See Appendix for examples of bathrooms complying with the higher level of usability.

(b) *Water closets.* Water closets shall be located within bathrooms so that a grab bar may be installed on one side of the water closet. In locations where water closets are adjacent to walls or bathtubs, the centerline of the water

closet shall be a minimum of 18 inches from the obstacle. The side of the water closet without a grab bar shall be a minimum of 15 inches measured from the centerline of the water closet to the finished surface of adjacent walls, vanities or the edge of a lavatory.

Note: See Appendix for examples of clear floor space at water closets.

(c) *Vanities and lavatories.* When 2 or more lavatories are provided in a bathroom, at least one lavatory shall be made accessible.

1. Vanities and lavatories shall be installed with the centerline of the lavatory a minimum of 15 inches, measured horizontally, from an adjoining wall or fixture.

2. The top of the fixture rim shall be a maximum height of 34 inches above the finished floor.

3. A clear floor space at least 30 inches by 48 inches shall be provided at a lavatory for either a parallel or

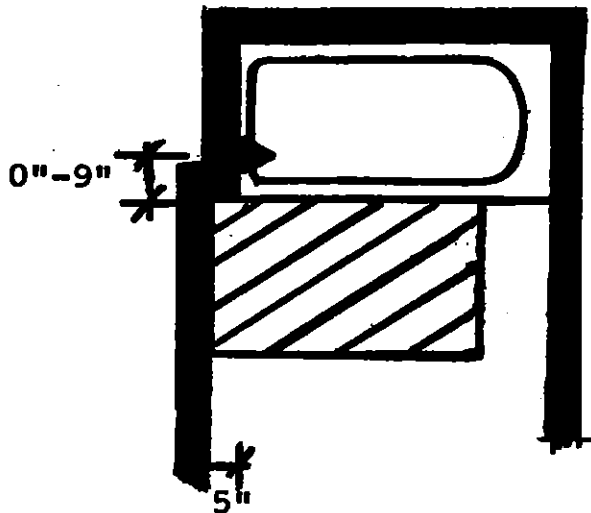
front approach. If a front approach is used, full kneespace shall be provided below the lavatory at least 17 inches in depth. If kneespace is provided below the vanity, the bottom of the apron shall be at least 27 inches above the floor.

Note: See Appendix for examples of clear floor space at lavatories.

(d) *Bathtub and shower fixtures.* When both bathtub and shower fixtures are provided in the bathroom, at least one fixture shall be made accessible.

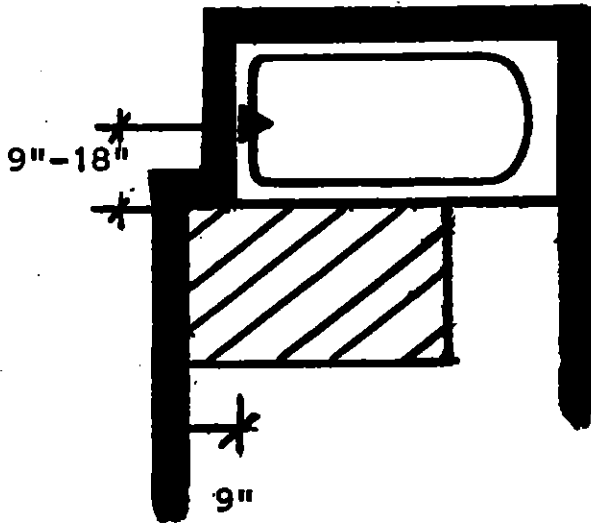
1. 'Bathtubs.' a. Where the centerline of the controls is located not more than 9 inches from the apron of the bathtub, a clear floor space at least 30 inches by 48 inches shall extend at least 5 inches beyond the head of the bathtub as shown in Figure 57.871-1.

FIGURE 57.871-1
CLEAR FLOOR SPACE/OFFSET CONTROLS



 Clear floor space at bathtub (30" by 48")

FIGURE 57.871-2
CLEAR FLOOR SPACE/CENTERED CONTROLS



 Clear floor space at bathtub (30" by 48")

b. Where the centerline of the controls is located between 9 inches and 18 inches from the apron of the bathtub, a clear floor space at least 30 inches by 48 inches shall extend at least 9 inches beyond the head of the bathtub as shown in Figure 57.871-2.

2. 'Shower stalls.' a. Shower stalls in a bathroom shall have an inside dimension [at] least 36 inches by 36 inches.

b. A minimum clear floor space 30 inches wide by 48 inches shall be provided outside the stall.

Note: See Appendix for an example of clear floor space.

c. If the shower stall is the only bathing facility provided in the covered dwelling unit, or on the accessible level of a covered multilevel unit, the shower stall shall have reinforcing to allow for installation of a wall hung bench seat.

(3) POWDER ROOMS. Where a powder room is the only toilet room provided on the grade-level floor of a multilevel dwelling unit, the powder room shall be designed and constructed in accordance with the applicable portions of sub. (2).

Note: See Appendix for examples of adaptable powder rooms.

(4) SINGLE-LEVER PLUMBING CONTROLS. Single-lever plumbing controls or other controls which are approved by the department, may be requested by the renter for installation on plumbing fixtures used by the renter and shall be provided by the landlord at no additional cost to the renter.

History: Cr. Register, April, 1994, No. 460, eff. 5-1-94; corrections in (2) (d) 1. made under s. 13.93 (2m) (b) 12, Stats., Register, October, 1994, No. 466.

Next page is numbered 150-13

Chapter ILHR 57

APPENDIX

A-57.81 Requirement 1. (4) SITE IMPRACTICALITY GUIDELINES.

(2) Site impracticality. Covered multifamily dwellings with elevators shall be designed and constructed to provide at least one accessible entrance on an accessible route, regardless of terrain or unusual characteristics of the site. Covered multifamily dwellings without elevators shall be designed and constructed to provide at least one accessible entrance on an accessible route unless terrain or unusual characteristics of the site are such that the following conditions are found to exist:

(a) Site impracticality due to terrain. There are two alternative tests for determining site impracticality due to terrain: the individual building test provided in paragraph (i), or the site analysis test provided in paragraph (ii). These tests may be used as follows.

A site with a single building having a common entrance for all units may be analyzed only as described in paragraph (i).

All other sites, including a site with a single building having multiple entrances serving either individual dwelling units or clusters of dwelling units, may be analyzed using the methodology in either paragraph (i) or paragraph (ii). For these sites for which either test is applicable, regardless of which test is selected, at least 20% of the total ground floor units in nonelevator buildings, on any site, must comply with the guidelines.

(i) Individual building test. It is impractical to provide an accessible entrance served by an accessible route when the terrain of the site is such that:

(A) the slopes of the undisturbed site measured between the planned entrance and all vehicular or pedestrian arrival points within 50 feet of the planned entrance exceed 10 percent; and

(B) the slopes of the planned finished grade measured between the entrance and all vehicular or pedestrian arrival points within 50 feet of the planned entrance also exceed 10 percent.

If there are no vehicular or pedestrian arrival points within 50 feet of the planned entrance, the slope for the purposes of this paragraph (i) will be measured to the closest vehicular or pedestrian arrival point.

For purposes of these guidelines, vehicular or pedestrian arrival points include public or resident parking areas; public transportation stops; passenger loading zones; and public streets or sidewalks. To determine site impracticality, the slope would be measured at ground level from the point of the planned entrance on a straight line to (i) each vehicular or pedestrian arrival point that is within 50 feet of the planned entrance, or (ii) if there are no vehicular or pedestrian arrival points within that

specified area, the vehicular or pedestrian arrival point closest to the planned entrance. In the case of sidewalks, the closest point to the entrance will be where a public sidewalk entering the site intersects with the sidewalk to the entrance. In the case of resident parking areas, the closest point to the planned entrance will be measured from the entry point to the parking area that is located closest to the planned entrance.

(ii) Site analysis test. Alternatively, for a site having multiple buildings, or a site with a single building with multiple entrances, impracticality of providing an accessible entrance served by an accessible route can be established by the following steps:

(A) The percentage of the total buildable area of the undisturbed site with a natural grade less than 10% slope shall be calculated. The analysis of the existing slope (before grading) shall be done on a topographic survey with two foot (2') contour intervals with slope determination made between each successive interval. The accuracy of the slope analysis shall be certified by a professional licensed engineer, landscape architect, architect or surveyor.

(B) To determine the practicality of providing accessibility to planned multifamily dwellings based on the topography of the existing natural terrain, the minimum percentage of ground floor units to be made accessible should equal the percentage of the total buildable area (not including floodplains, wetlands, or other restricted use areas) of the undisturbed site that has an existing natural grade of less than 10% slope.

(C) In addition to the percentage established in paragraph (B), all ground floor units in a building, or ground floor units served by a particular entrance, shall be made accessible if the entrance to the units is on an accessible route, defined as a walkway with a slope between the planned entrance and a pedestrian or vehicular arrival point that is no greater than 8.33%.

(b) Site impracticality due to unusual characteristics. Unusual characteristics include sites located in a federally-designed floodplain or coastal high-hazard area and sites subject to other similar requirements of law or code that the lowest floor or the lowest structural member of the lowest floor must be raised to a specified level at or above the base flood elevation. An accessible route to a building entrance is impractical due to unusual characteristics of the site when:

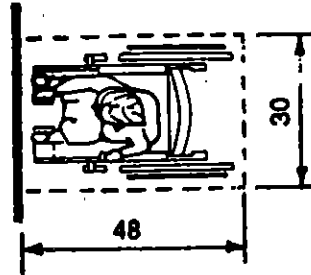
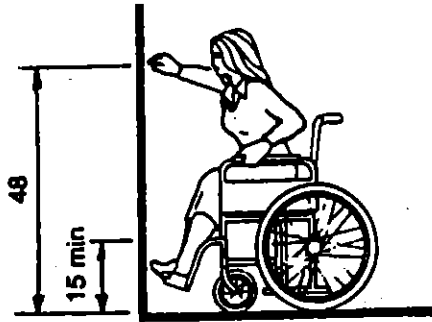
(i) the unusual site characteristics result in a difference in finished grade elevation exceeding 30 inches and 10 percent measured between an entrance and all vehicular or pedestrian arrival points within 50 feet of the planned entrance; or

ILHR 57 Appendix

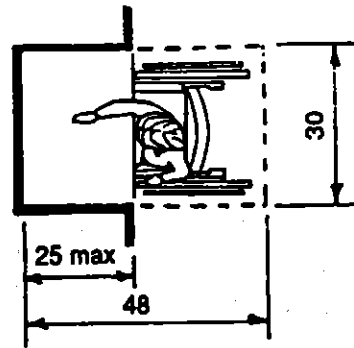
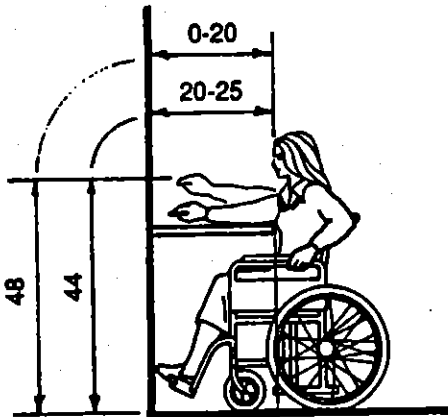
(ii) if there are no vehicular or pedestrian arrival points within 50 feet of the planned entrance, the unusual characteristics result in a difference in finished grade

elevation exceeding 30 inches and 10 percent measured between an entrance and the closest vehicular or pedestrian arrival point.

A-57.85 REACH DIMENSIONS OVER AN OBSTRUCTION.

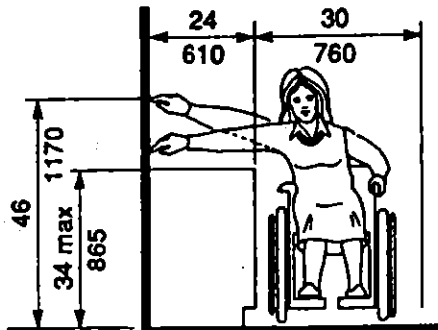


(a) Forward Reach Limit



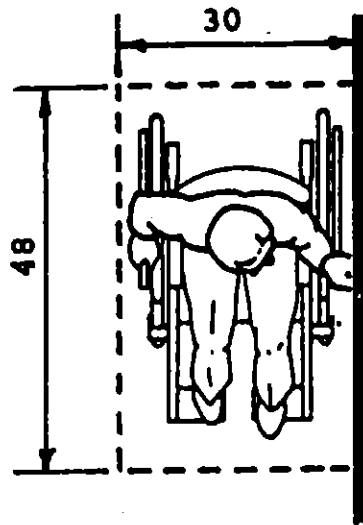
NOTE: Clear knee space should be as deep as the reach distance.

(b) Maximum Forward Reach Over an Obstruction

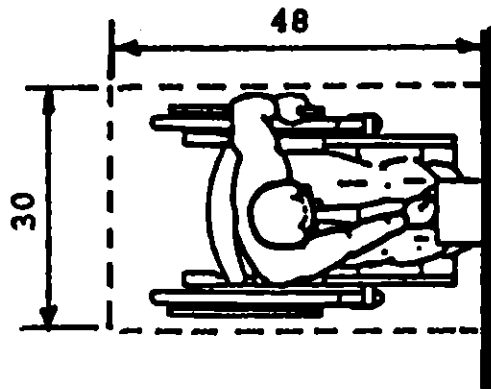


(c) Maximum Side Reach Over Obstruction

A-57.87 Usable kitchens. MINIMUM CLEAR FLOOR SPACE FOR WHEELCHAIRS.



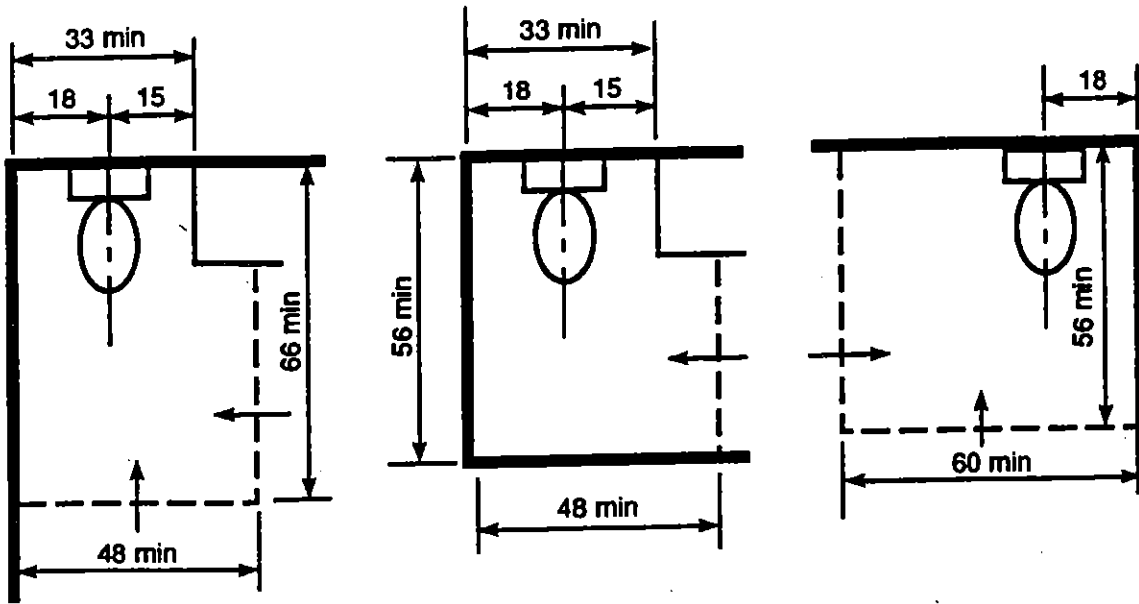
(a) Parallel Approach



(b) Forward Approach

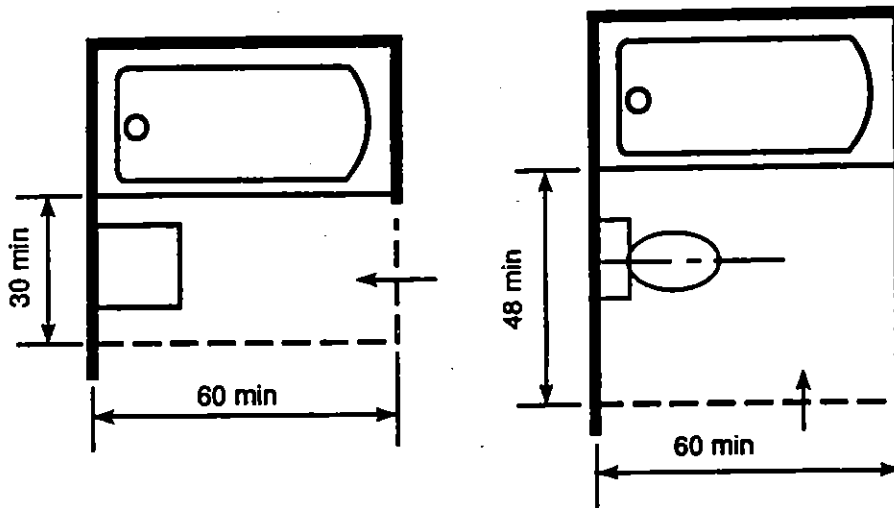
ILHR 57 Appendix

A-57.871 (1) BASIC USABILITY AND 57.871 (2) HIGHER LEVEL OF USABILITY: CLEAR FLOOR SPACE FOR WATER CLOSETS.



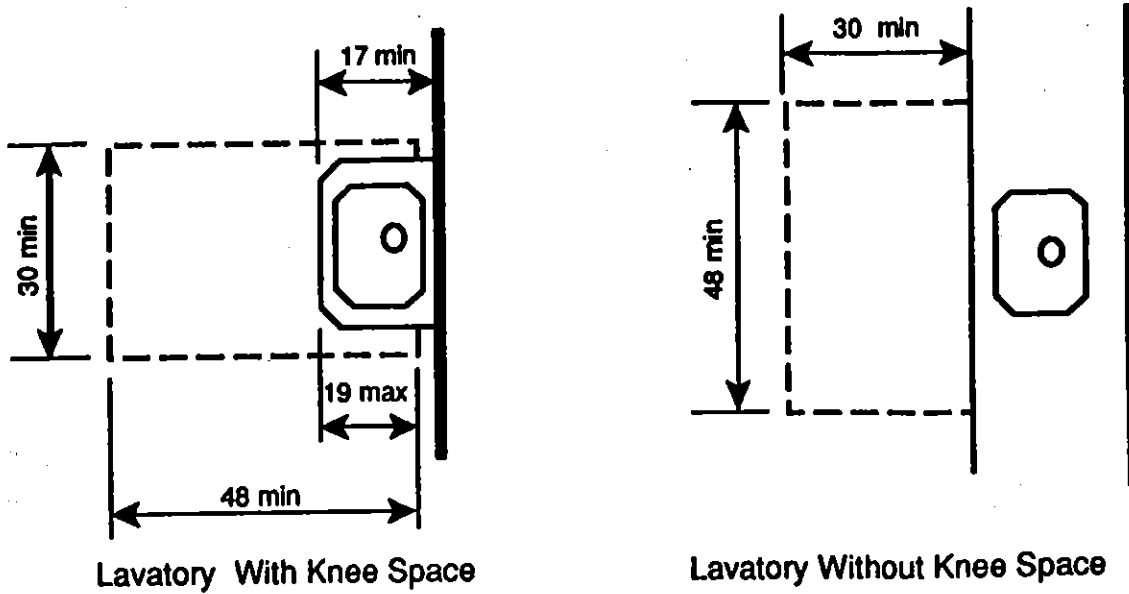
Clear Floor Space for Water Closets

A-57.871 (1) BASIC USABILITY: CLEAR FLOOR SPACE AT BATHTUBS.



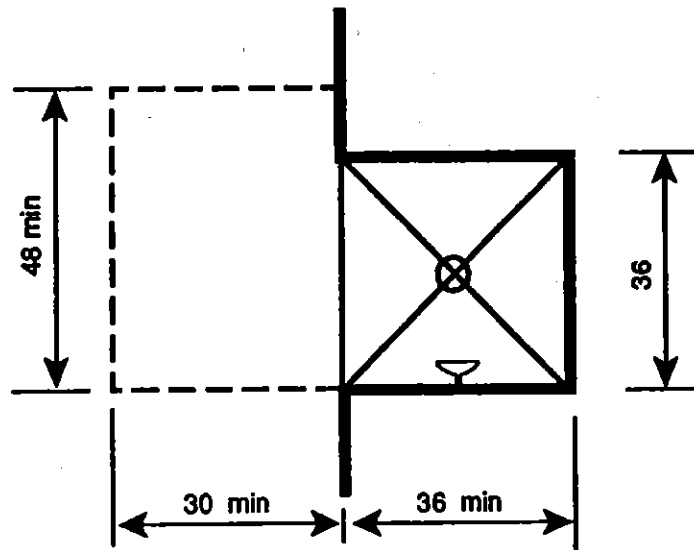
Clear Floor Space at Bathtubs

A-57.871 (1) BASIC USABILITY AND 57.871 (2) HIGHER LEVEL OF USABILITY: CLEAR FLOOR SPACE AT LAVATORIES.



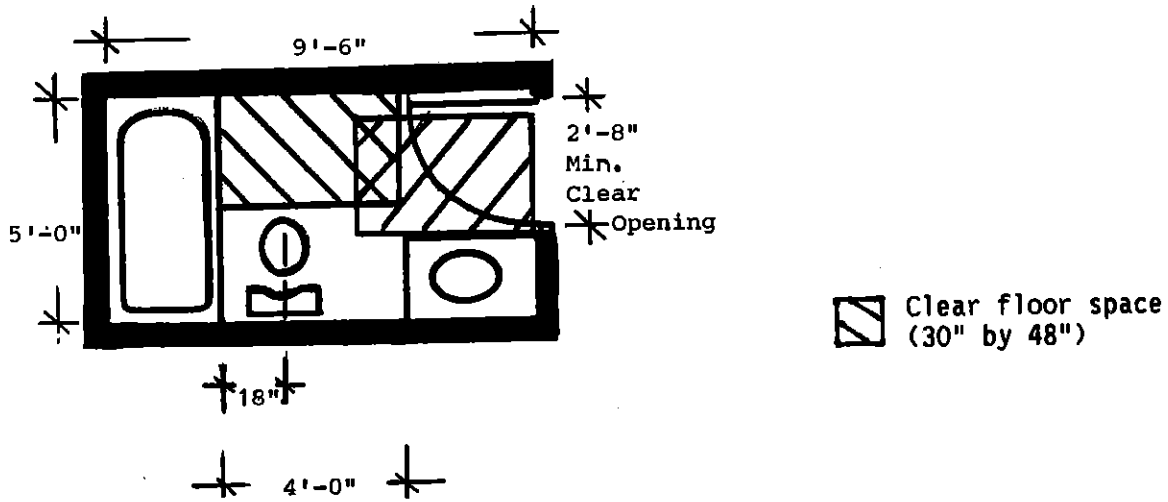
Clear Floor Space at Lavatories

A 57.871 (1) BASIC USABILITY AND 57.871 (2) HIGHER USABILITY: CLEAR FLOOR SPACE AT SHOWERS.

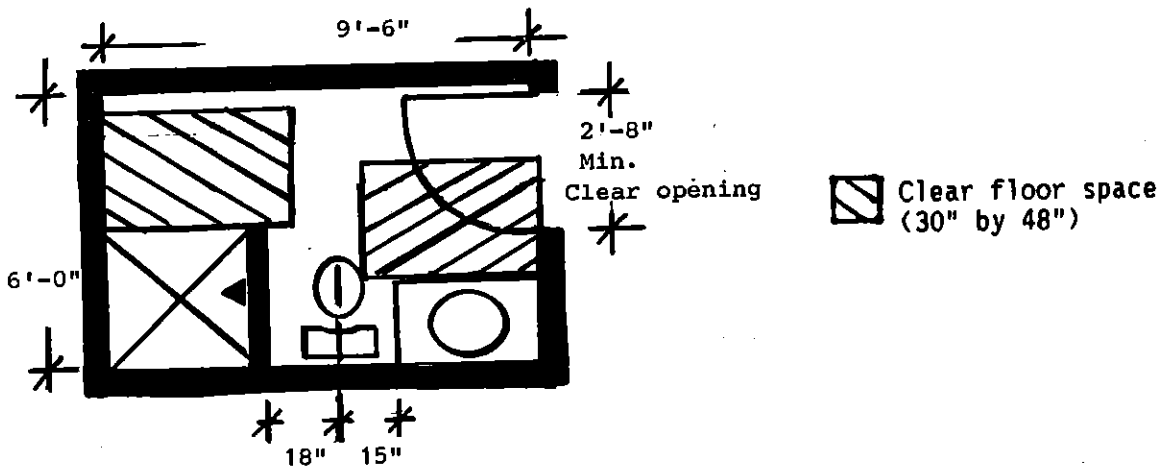
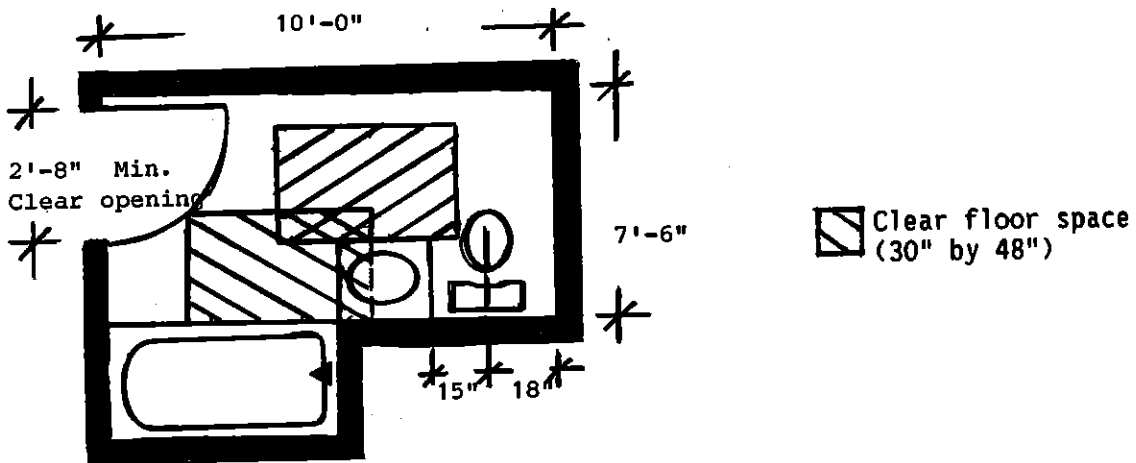


ILHR 57 Appendix

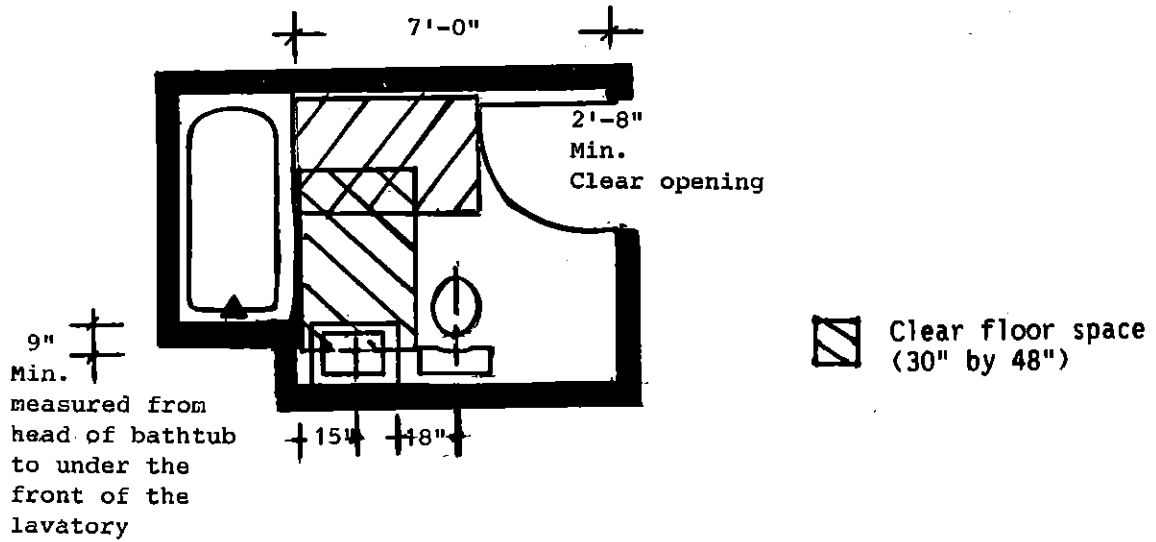
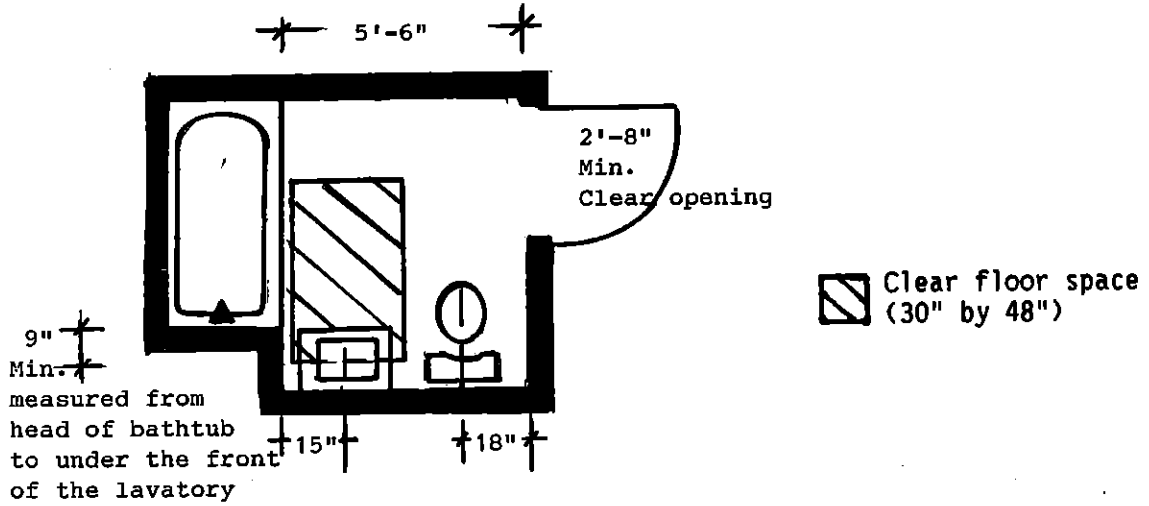
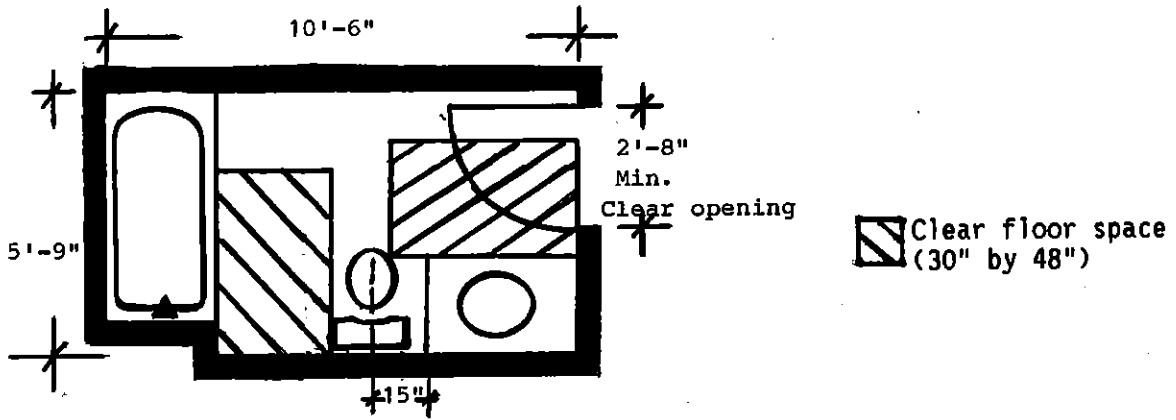
A-57.871 (1) BASIC USABILITY: EXAMPLE OF A COMPLETE BATHROOM COMPLYING WITH BASIC USABILITY.



A-57.871 (2) HIGHER LEVEL OF USABILITY: EXAMPLES OF COMPLETE BATHROOMS COMPLYING WITH THE HIGHER LEVEL OF USABILITY.

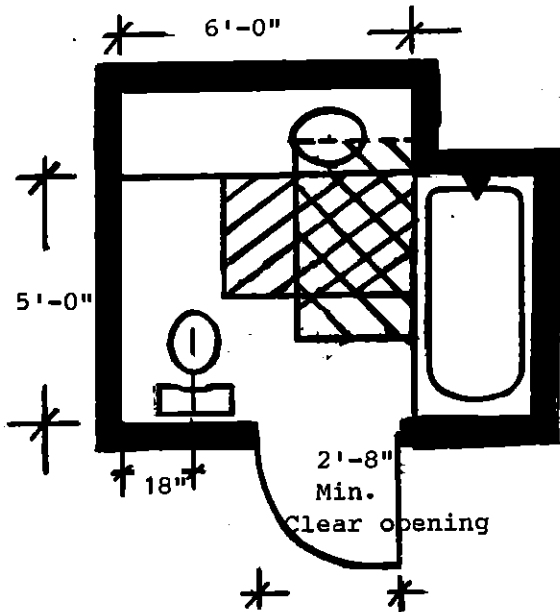



A-57.871 (2) HIGHER LEVEL OF USABILITY: EXAMPLES OF COMPLETE BATHROOMS COMPLYING WITH THE HIGHER LEVEL OF USABILITY.

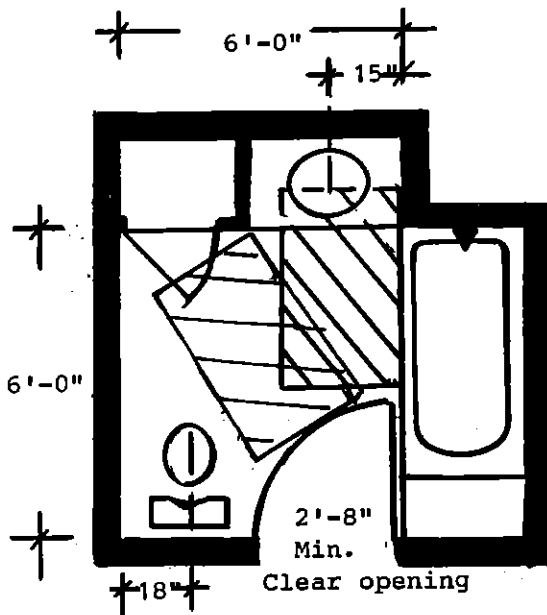



ILHR 57 Appendix

A-57.871 (2) HIGHER LEVEL OF USABILITY. Examples of complete bathroom complying with the higher degree of usability.

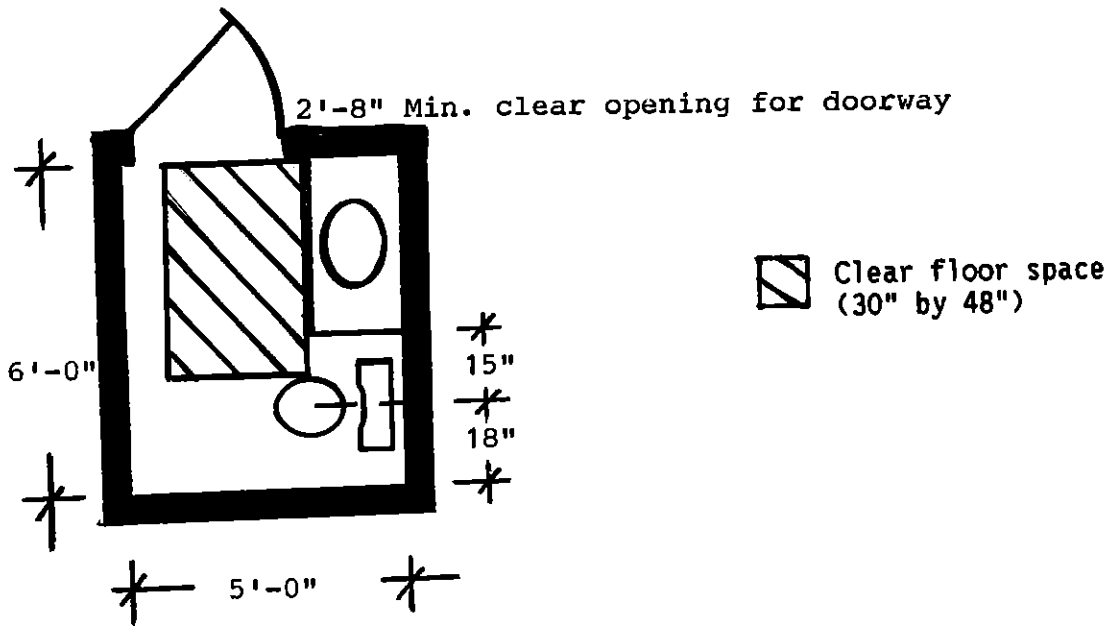
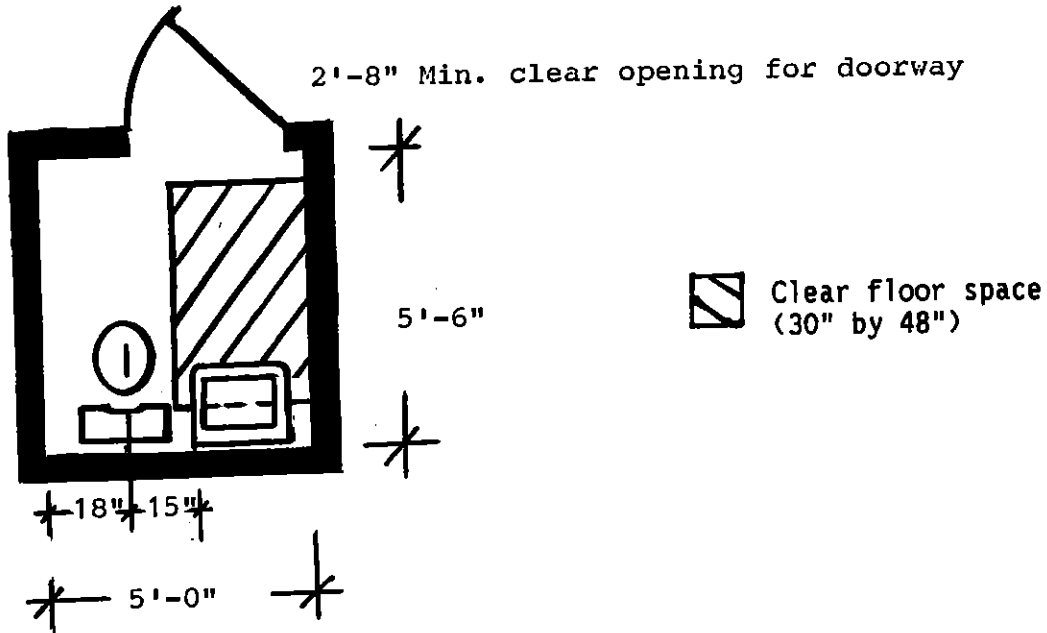


 Clear floor space (30" by 48")



 Clear floor space (30" by 48")

A-57.871 (3) POWDER ROOMS: EXAMPLES OF ADAPTABLE POWDER ROOMS.



Chapter ILHR 58

HEALTH CARE, DETENTION AND CORRECTIONAL FACILITIES

Subchapter I — Health Care Facilities

		<i>Part 1 - Scope</i>
ILHR 58.001	Scope	
		<i>Part 2 - General Requirements</i>
ILHR 58.01	Class of construction	
ILHR 58.02	Separation from other occupancies	
ILHR 58.03	Windows	
		<i>Part 3 - Means of Egress Requirement</i>
ILHR 58.04	Required means of egress	
ILHR 58.05	Number and type of exits	
ILHR 58.06	Stairs	
ILHR 58.07	Handrails	
ILHR 58.08	Guardrails	
ILHR 58.09	Smokeproof towers	
ILHR 58.10	Horizontal exits	
ILHR 58.11	Ramps	
ILHR 58.12	Capacity of means of egress	
ILHR 58.13	Arrangement of means of egress	
ILHR 58.14	Measurement of travel distance to exits	
ILHR 58.15	Discharge from exits	
ILHR 58.16	Illumination of means of egress	
ILHR 58.17	Emergency lighting	
ILHR 58.18	Marking of means of egress	
ILHR 58.19	Headroom	
ILHR 58.20	Key locking hardware	
		<i>Part 4 - Protection</i>
ILHR 58.21	Protection of openings	
ILHR 58.22	Elevator lobby enclosures	
ILHR 58.23	Protection of vertical openings	
ILHR 58.24	Protection from hazards	
ILHR 58.25	Rubbish chutes and laundry chutes	
ILHR 58.26	Interior finish	
ILHR 58.27	Detection, alarm and communication systems	
ILHR 58.28	Standpipes	
ILHR 58.29	Automatic sprinkler and other suppression systems	
ILHR 58.30	Smoke barrier	
ILHR 58.31	Construction of corridor walls	
		<i>Part 5 - Sanitary Facilities</i>
ILHR 58.32	Sanitary facilities	

Subchapter II — Detention and Correctional Facilities

		<i>Part 1 - Scope</i>
ILHR 58.40	Scope	
ILHR 58.41	Definitions	
		<i>Part 2 - General Requirements</i>
ILHR 58.42	Class of construction	
ILHR 58.43	Program support facilities	
ILHR 58.44	Separation from other occupancies	
ILHR 58.45	Windows	
ILHR 58.46	Size of sleeping rooms	
ILHR 58.47	Sleeping rooms below grade	
		<i>Part 3 - Means of Egress Requirements</i>
ILHR 58.48	Required means of egress	
ILHR 58.49	Exit doors, number and type of exits	
ILHR 58.50	Stairways	
ILHR 58.51	Smokeproof towers	
ILHR 58.52	Horizontal exits	
ILHR 58.53	Ramps	
ILHR 58.54	Required exit width	
ILHR 58.55	Arrangement of means of egress	
ILHR 58.56	Measurement of travel distance to exits	
ILHR 58.57	Illumination of means of egress	
ILHR 58.575	Emergency lighting	
ILHR 58.58	Marking of means of egress	
		<i>Part 4 - Protection</i>
ILHR 58.59	Door locks	
ILHR 58.60	Protection of openings	
ILHR 58.61	Protection of vertical openings	
ILHR 58.62	Isolation of hazards	
ILHR 58.63	Fire protection systems	
ILHR 58.64	Fire alarms	
ILHR 58.65	Automatic smoke detection system	
ILHR 58.66	Interior finishes	
ILHR 58.67	Smoke barrier	
		<i>Part 5 - Sanitary Facilities</i>
ILHR 58.68	Sanitary facilities	
		<i>Part 6 - Guard Towers</i>
ILHR 58.69	Guard towers and observation stations	

Note: Chapter Ind 58 was renumbered to be chapter ILHR 58 effective January 1, 1984.

Subchapter I — Health Care Facilities

Part 1 - Scope

ILHR 58.001 Scope. (1) GENERAL. The provisions of this subchapter shall apply, on or after the effective date of this section, to the following:

(a) New health care facilities and additions to existing health care facilities;

(b) Alterations and remodeling affecting structural strength, fire hazard, natural lighting or replacement of major equipment. Alterations and remodeling do not include minor repairs necessary for the maintenance of any building or structure. Where buildings are being remodeled or altered, only those components or systems being remodeled or altered shall be made to conform with the rules in effect at the time the remodeling or alteration occurs; and

(c) Change of use where the requirements for the new use are more stringent than those for the previous use.

(2) APPLICATION. (a) The rules of this subchapter are not retroactive unless specifically stated in the individual administrative rule.

(b) The rules of this subchapter do not apply to alterations or remodeling of buildings, constructed prior to the effective date of this paragraph, being undertaken solely for the purpose of obtaining federal certification or state licensure.

(c) Where other sections of chs. ILHR 50-64 specify different requirements than those contained in this subchapter, the requirements of this subchapter shall govern.

(3) VARIANCE. Where explicit conformance with the rules of this subchapter is not attained, the department will consider and may grant a variance as specified in s. ILHR 50.25. The department will consider the results obtained from nationally recognized evaluation procedures (for example, Fire Safety Evaluation System (FSES) as specified in Appendix C of the National Fire Protection

ILHR 58.001

Association (NFPA) Life Safety Codes 101-1981) in evaluating requests for variance.

Special Note: The purpose of this subchapter is to eliminate conflicting rules between DILHR and DH & SS. DH & SS is involved with the enforcement of the federal requirements for the Title XVIII (Medicare) and Title XIX (Medicaid) programs. Since the basis of the federal program for construction purposes is compliance with the NFPA, 101 Life Safety Code, the rules of this subchapter reflect the rules of the NFPA, 101 Life Safety Code, 1981 edition.

History: Cr. Register, December, 1981, No. 312, eff. 1-1-82; cr. (2) (c), Register, October, 1982, No. 322, eff. 11-1-82.

Part 2 - General Requirements

ILHR 58.01 Class of construction. (1) TWO OR MORE STORIES. Except as provided in par. (d), all health care facilities 2 or more stories in height shall be of fire-resistive type 1 construction as specified in s. ILHR 51.03 (1) with the following modifications:

(a) *Floor framing support assemblies.* Floor framing support assemblies shall have a minimum fire-resistive rating of 2 hours.

(b) *Roof assemblies.* Roof assemblies shall have a minimum fire-resistive rating of 1½ hours.

(c) *Exterior bearing walls.* All exterior bearing walls shall have a minimum fire-resistive rating of 3 hours.

(d) Health care facilities up to and including 3 stories in height may be of Type 3 construction if completely protected by an approved automatic fire sprinkler system.

(2) ONE-STORY CONSTRUCTION. (a) Hospitals. 1. Except as provided in subd. 2., one story hospitals shall be of type 3 metal frame protected construction or better as specified in Table 51.03-A with the following specifications:

a. Roof framing assemblies for types 1, 2 and 3 construction shall have a minimum fire-resistive rating of one hour.

b. All exterior bearing walls of type 3 construction shall have a minimum fire-resistive rating of one hour.

2. One story hospitals provided with a complete automatic fire sprinkler system installed in accordance with s. ILHR 51.23 may be of type 7, wood frame protected construction or better as specified in Table 51.03-A.

(b) *Nursing homes.* One story nursing homes shall be of type 7 wood frame protected construction or better as specified in Table 51.03-A.

History: Cr. Register, December, 1981, No. 312, eff. 1-1-82; am. (2) (a) 2., Register, October, 1982, No. 322, eff. 11-1-82; am. (1) (a), r. and recr. (2), Register, December, 1983, No. 336, eff. 1-1-84; cr. (5), Register, August, 1985, No. 356, eff. 1-1-86; am. (1) (intro.) and cr. (1) (d), Register, August, 1985, No. 356, eff. 1-1-86.

ILHR 58.02 Separation from other occupancies. A health care facility shall be separated from any other occupancy in accordance with s. ILHR 51.08.

History: Cr. Register, December, 1981, No. 312, eff. 1-1-82; am. (3) (a), Register, October, 1982, No. 322, eff. 11-1-82; am. (4), Register, December, 1983, No. 336, eff. 1-1-84; cr. (5), Register, August, 1985, No. 356, eff. 1-1-86; r. and recr., Register, March, 1991, No. 423, eff. 4-1-91.

ILHR 58.03 Windows. (1) OUTSIDE WINDOWS. Every habitable room shall be provided with outside windows having a total glazed area of at least 8% of the floor area of the room. The bottom of the window opening in sleeping rooms shall be not more than 36 inches above the floor.

Register, January, 1994, No. 457

(2) VENTILATION. (a) Where required. Every patient sleeping room and every habitable room shall have an outside window or outside door located so it can be opened from the inside to permit the venting of products of combustion and to permit any occupant to have direct access to outside air in case of an emergency. Where windows require the use of tools or keys for operation, written approval from the department shall be obtained. The keys or tools shall be accessible to staff and located on each floor having such windows.

(b) *Openable area of outside windows.* The openable area of outside windows shall be equal to at least 4% of the floor area served, except as follows:

1. Rooms intended for occupancy for less than 24 hours, such as those housing obstetrical labor beds, recovery beds, observation beds in emergency department and newborn nurseries;

2. Rooms where persons are forcibly confined, such as psychiatric wards, alcohol and drug abuse areas or other similar areas of protective placement; or

3. Buildings designed with an engineered smoke control system as specified in NFPA 90A, Standard for the Installation of Air Conditioning and Ventilating Systems.

History: Cr. Register, December, 1981, No. 312, eff. 1-1-82; am. (1), Register, January 1994, No. 457, eff. 2-1-94

Part 3 - Means of Egress Requirements

ILHR 58.04 Required means of egress. (1) GENERAL. All required means of egress shall comply with the requirements as specified in s. ILHR 51.15, except as modified in this section.

(2) EXIT DOORS. (a) Width. All exit doors shall be not less than 44 inches and not more than 48 inches in width, except that doors serving enclosed stairways may be a minimum of 36 inches in width.

(b) *Door swing.* A door which is used by 25 persons or less shall not be required to open in the direction of egress.

(c) *Force to open door.* The force required to fully open doors shall not exceed 37 pounds applied to the latch side.

(d) *Door platforms.* The floor on both sides of an exit door, except as specified in s. ILHR 51.16 (4) (c), shall be at the same elevation and be level for a distance at least the width of the door, or as specified in s. ILHR 52.04 (9) (b).

(3) EXIT ACCESS DOORS. (a) Width. 1. All exit access doors from hospital and nursing home sleeping rooms; patient or resident use areas; diagnostic and treatment areas, such as x-ray, surgery, or physical therapy; and all doors between these spaces and the required exits shall be at least 44 inches wide.

2. Exit access doors not subject to use by patients, shall be at least 36 inches wide.

(b) *Door swing.* A door which is used by not more than 25 persons shall not be required to open in the direction of egress.

History: Cr. Register, December, 1981, No. 312, eff. 1-1-82; am. (2) (b), Register, October, 1982, No. 322, eff. 11-1-82.

ILHR 58.05 Number and type of exits. (1) **NUMBER.** At least 2 exits, located remote from each other, shall be provided from each floor and fire section of the building.

(2) **TYPE OF EXITS.** (a) At least one exit from each floor or smoke compartment shall be by a door leading directly to a stairway, smokeproof tower, ramp, horizontal exit, exit passageway, or to the outside of the building as specified in this subchapter.

(b) No more than one-half of the required exits shall be horizontal exits.

History: Cr. Register, December, 1981, No. 312, eff. 1-1-82; am. (2) (a), Register, January, 1994, No. 457, eff. 2-1-94.

ILHR 58.06 Stairs. (1) **STAIR DETAILS.** All stairs shall comply with the requirements specified in ss. ILHR 51.16 and 51.164, except as modified in this section.

(a) All stairways and steps shall conform to the requirements of ss. ILHR 51.16 to 51.166, except that steps shall have a rise of not less than 4 inches measured from tread to tread, and treads shall be solid.

(b) Every landing or platform shall be at least as wide as the stairway, measured at right angles to the direction of travel. The length of every landing or platform shall be at least as wide as the stairway. The length of the landing or platform need not exceed 48 inches.

(c) The aggregate width for stairways shall comply with the requirements specified in s. ILHR 58.12.

(2) **ENCLOSURE.** (a) All stairways shall be enclosed as specified in s. ILHR 51.18.

(b) Stairways in addition to those required by these rules, need not lead to the outside, but shall comply with the enclosure requirements.

(c) Nonrequired stairways and ramps connecting different levels within the same floor as defined in s. ILHR 51.01 (56a) are not required to be enclosed.

History: Cr. Register, December, 1981, No. 312, eff. 1-1-82; am. (1) (a) and (2) (a), Register, October, 1982, No. 322, eff. 11-1-82; r. and recr. (1) (a), Register, December, 1983, No. 336, eff. 1-1-84; cr. (2) (c), Register, August, 1985, No. 356, eff. 1-1-86; am. (1) (a) and (2) (c), Register, January, 1994, No. 457, eff. 2-1-94.

ILHR 58.07 Handrails. Handrails shall be provided as specified in s. ILHR 51.161, except that handrails protecting the open sides of stairways and ramps shall have intermediate rails or an ornamental pattern designed to prevent the passage of an object with a diameter larger than 6 inches.

History: Cr. Register, December, 1981, No. 312, eff. 1-1-82; am. Register, August, 1985, No. 356, eff. 1-1-86.

ILHR 58.08 Guardrails. Guardrails shall be provided as specified in s. ILHR 51.162, except that guardrails shall have intermediate rails or an ornamental pattern designed to prevent the passage of an object with a diameter larger than 6 inches.

History: Cr. Register, December, 1981, No. 312, eff. 1-1-82.

ILHR 58.09 Smokeproof towers. Smokeproof stair towers shall comply with the requirements specified in ss. ILHR 51.17, 58.04 and 58.06.

History: Cr. Register, December, 1981, No. 312, eff. 1-1-82.

ILHR 58.10 Horizontal exits. (1) **GENERAL.** Horizontal exits shall comply with the requirements specified in s. ILHR 51.19, except as modified in this section.

(2) **AREA.** At least 30 net square feet per occupant in a facility shall be provided within areas such as corridors, patient rooms, treatment rooms, lounge or dining areas on each side of the horizontal exit for the total number of people in the adjoining compartment.

(3) **DOORS.** (a) A single door used as a horizontal exit shall serve one direction only, be at least 44 inches wide, swing in the direction of egress and comply with the requirements specified in s. ILHR 58.21.

(b) A horizontal exit in a corridor 8 feet or more in width serving as a means of egress from both sides of the doorway shall have the opening protected by a pair of swinging doors, arranged to swing in the opposite direction from the other, with each door being at least 44 inches wide.

(c) Center mullions are prohibited.

(d) A vision panel, complying with the requirements specified in s. ILHR 51.048 and not exceeding 100 square inches, shall be provided in each horizontal exit door. Vision panels shall be set in steel frames and shall be tested as part of the entire rated door assembly.

(4) **RESTRICTIONS.** If a horizontal exit is used as a smoke barrier it shall comply with the requirements specified in s. ILHR 58.30.

History: Cr. Register, December, 1981, No. 312, eff. 1-1-82; am. (2), Register, December, 1983, No. 336, eff. 1-1-84.

ILHR 58.11 Ramps. (1) **MINIMUM WIDTH.** (a) *Interior ramps.* Interior ramps shall be a minimum of 44 inches wide, of which not more than 4 inches on each side may be occupied by a handrail.

(b) *Exterior ramps.* Exterior ramps shall be a minimum of 48 inches wide of which not more than 4 inches on each side may be occupied by a handrail.

(2) **SLOPE.** Ramps shall have a slope of not more than 1 foot of rise in 12 feet of run.

(3) **ENCLOSURE.** Ramps used as a required means of egress and that connect different floors shall comply with the enclosure requirements for stairways specified in s. ILHR 58.06 (2).

(4) **LANDINGS AND PLATFORMS.** (a) If a door is provided at the top or bottom or both of a ramp, a landing or platform shall be placed between the door and the ramp regardless of the direction of swing of the door.

(b) Every landing or platform shall be at least as wide as the ramp, measured at right angles to the direction of travel. The length of every landing or platform shall be at least as wide as the ramp, but need not exceed 48 inches.

History: Cr. Register, December, 1981, No. 312, eff. 1-1-82; cr. (4), Register, December, 1983, No. 336, eff. 1-1-84; am. (3), Register, August, 1985, No. 356, eff. 1-1-86.

ILHR 58.12 Capacity of means of egress. (1) **OCCUPANT LOAD.** (a) *Capacity.* The occupant load for which means of egress shall be provided for any floor shall be the maximum number of persons to occupy that floor, but not less than one person for each 120 square feet gross floor area.

Register, January, 1994, No. 457

ILHR 58.12

(b) *Exits serving more than one floor.* Where exits serve more than one floor, only the occupant load of each floor considered individually need to be used in computing the capacity of the exits at that floor, provided the exit capacity is not decreased in the direction of exit travel.

(2) **REQUIRED EXIT WIDTH.** (a) *Units of exit width.* The required exit width shall be measured in units of exit width of 22 inches. Fractions of a unit less than 12 inches shall not be counted. Fractions of a unit 12 inches or more, added to one or more full units, shall be counted as 1/2 unit of exit width.

(b) *Clear width.* The clear width of the means of egress shall be measured at the narrowest point of the exit component under consideration, except as provided below:

1. The exit width for doorways shall be the measured width of each door leaf;

2. A handrail may project inside the measured width on each side not more than 4 inches; or

3. A stringer may project inside the measured width on each side not more than 1½ inches.

(3) **CAPACITY PER UNIT OF EXIT WIDTH.** (a) *Stairways.* The capacity of means of egress providing travel by means of stairs shall be 22 persons per exit unit, except that in buildings protected with a complete automatic sprinkler system the capacity shall not exceed 35 persons per exit unit.

(b) *Horizontal travel.* The capacity of means of egress providing horizontal travel, such as doors, ramps, or horizontal exits shall be 30 persons per exit unit, except that in buildings protected with a complete automatic sprinkler system the capacity shall not exceed 45 persons per exit unit.

History: Cr. Register, December, 1981, No. 312, eff. 1-1-82.

ILHR 58.13 Arrangement of means of egress. (1) PATIENT SLEEPING ROOMS. Every patient sleeping room shall have an exit access door leading directly to an exit access corridor, except as provided below:

(a) If there is an exit door opening directly to the outside from the room at ground level; or

(b) One adjacent room, such as a sitting room or anteroom, may intervene, if all doors along the means of egress are equipped with nonlockable hardware, except as specified in s. ILHR 51.15 (3), and if the intervening room is not used to serve as an exit access for more than 8 patient sleeping beds.

(2) **CORRIDORS.** Every aisle, corridor and hallway shall provide access to at least 2 exits complying with the requirements specified in s. ILHR 58.05.

(a) *Dead end corridor.* Every exit or exit access shall be so arranged that no corridor, aisle or passageway has a pocket or dead end exceeding 30 feet.

(b) *Exit access corridors.* 1. Every aisle, corridor and hallway used for exit access shall be at least 8 feet in clear and unobstructed width of which not more than 4 inches on each side may be occupied by a handrail.

Register, January, 1994, No. 457

2. Where doors are placed in the exit access corridor, they shall be a pair of doors, each at least 44 inches in width. Where the exit access corridor serves as a means of egress from both sides of the doorway, the doors shall be arranged to swing in the opposite direction from the other.

(c) *Areas not intended for patient use.* Aisles, corridors and hallways in areas not intended for the housing, treatment or use of patients shall be at least 44 inches in clear and unobstructed width.

(3) **SUITE EXITING.** Any room, suite of rooms, space or area more than 1,000 square feet in area, shall have at least 2 exit access doors remote from each other.

History: Cr. Register, December, 1981, No. 312, eff. 1-1-82; am. (2) (a), Register, December, 1983, No. 336, eff. 1-1-84; renum. (2) (a) and (b) to be (2) (b) and (c), cr. (2) (a), r. (3), renum. (4) to be (3), Register, August, 1985, No. 356, eff. 1-1-86.

ILHR 58.14 Measurement of travel distance to exits. All exits of health care facilities shall be located to provide remote means of egress.

(1) **EXIT ACCESS TO AN EXIT.** Travel distance measured along passageways between any room door required as an exit access and an exit shall not exceed 100 feet, except that in buildings protected with a complete automatic sprinkler system the distance shall not exceed 150 feet.

(2) **ROOM TO AN EXIT.** Travel distance measured along passageways between any point in a room and an exit shall not exceed 150 feet, except that in buildings protected with a complete automatic sprinkler system the distance shall not exceed 200 feet.

(3) **SLEEPING ROOM TO AN EXIT ACCESS.** Travel distance measured along passageways between any point in a health care sleeping room or suite and an exit access door to that room or suite shall not exceed 50 feet.

History: Cr. Register, December, 1981, No. 312, eff. 1-1-82.

ILHR 58.15 Discharge from exits. All required ramps or stairs serving as exits shall discharge directly to the outside at grade or be arranged to travel through an exit passageway discharging to the outside at grade. Unenclosed exterior ramps or stairways may not be used as required exits as specified in s. ILHR 58.04.

History: Cr. Register, December, 1981, No. 312, eff. 1-1-82; am. Register, August, 1985, No. 356, eff. 1-1-86.

ILHR 58.16 Illumination of means of egress. (1) ILLUMINATION. Artificial lighting shall be provided at all exits and for such period of times as required to maintain safe exit-ing.

(2) **ILLUMINATION LEVEL.** The floors of means of egress shall be illuminated at all points including angles and intersections of corridors and passageways, stairways, landings of stairs and exit doors to the values specified in ch. Ind 19.

History: Cr. Register, December, 1981, No. 312, eff. 1-1-82.

ILHR 58.17 Emergency lighting. Emergency lighting shall comply with the requirements specified in ch. ILHR 16.

History: Cr. Register, December, 1981, No. 312, eff. 1-1-82.

ILHR 58.18 Marking of means of egress. (1) EXIT SIGNS. Every required exit shall be identified with an internal illuminated, red exit sign bearing the word "EXIT" or "OUT" in plain letters not less than 6 inches high, with the principal strokes of letters not less than 3/4 inches.

(2) DIRECTIONAL SIGNS. An illuminated sign, not less than 6 inches high, reading "EXIT" or similar designation, with an arrow indicating the direction, shall be placed in every location where the direction of travel to reach the nearest exit is not immediately apparent.

(3) OBSTRUCTIONS. (a) Decorations, furnishings or equipment which impair visibility of an exit sign shall not be permitted. Displays, objects in or near the line of vision to the required exit sign or brightly illuminated signs used for purposes other than exits shall not be permitted so as to detract attention from the exit sign.

(b) Hangings or draperies shall not be placed over exit doors or be located as to conceal or obscure any exit. Mirrors shall not be placed on exit doors. Mirrors shall not be placed in or adjacent to any exit in such a manner as to confuse the direction of exit.

(4) SPECIAL SIGNS. Any door, passage, or stairway which is neither an exit nor a way of exit access, and which is located or arranged that it may be mistaken for an exit, shall be identified by a sign indicating it is not an exit.

History: Cr. Register, December, 1981, No. 312, eff. 1-1-82.

ILHR 58.19 Headroom. Every means of egress shall be provided with a ceiling clearance of not less than 7 feet 6 inches.

History: Cr. Register, December, 1981, No. 312, eff. 1-1-82.

ILHR 58.20 Key locking hardware. Key locking hardware on exit doors and exit access doors is prohibited except in areas accommodating residents who must be detained for their protection and the protection of the general public and the building complies with the requirements of ch. ILHR 58, subchs. I and II. Where the requirements of the 2 subchapters differ, the additional or more stringent requirement shall govern.

History: Cr. Register, December, 1981, No. 312, eff. 1-1-82; r. and recr. Register, December, 1983, No. 336, eff. 1-1-84.

Part 4 - Protection

ILHR 58.21 Protection of openings. (1) DOORS. Doors protecting openings in occupancy separations, smoke barriers, or horizontal exits shall be fire-resistive door assemblies as specified in s. ILHR 51.047.

(2) CLOSING DEVICE. Doors protecting such openings shall be equipped with a closing device and shall normally be kept closed, except the doors may be held open by a hold open device actuated by products of combustion

other than heat. The closing device shall be arranged such that the activation of any one or all of the following systems will initiate the self-closing action of all such doors:

(a) Manual fire alarm system;

(b) Automatic smoke detection system or a local device designed to detect smoke on either side of the opening; and

(c) Automatic sprinkler system or fire detection system, if provided.

History: Cr. Register, December, 1981, No. 312, eff. 1-1-82; am. (1), (2) (intro.) and (c), Register, December, 1983, No. 336, eff. 1-1-84.

ILHR 58.22 Elevator lobby enclosures. (1) GENERAL. All elevator lobbies shall be enclosed with at least one-hour fire-resistive construction as specified in s. ILHR 51.04, to limit the spread of smoke and fire. All openings shall be protected with fire-resistive door assemblies as specified in s. ILHR 58.21.

(2) OPENINGS IN THE ENCLOSURE. Openings in the elevator lobby enclosure shall be limited to exit access doors serving public passageways or corridors and openings into elevator shaft enclosures. The elevator lobby shall not be used as a portion of the exit access passageway.

History: Cr. Register, December, 1981, No. 312, eff. 1-1-82; am. Register, December, 1983, No. 336, eff. 1-1-84; r. and recr. Register, August, 1985, No. 356, eff. 1-1-86.

ILHR 58.23 Protection of vertical openings. (1) INTERIOR SHAFTS. Every elevator shaft, dumbwaiter shaft, pipe shaft and other similar vertical shaft in buildings, shall be enclosed as specified in Table 51.03-A, except as provided in pars. (a) and (b):

(a) One-hour rated enclosures are permitted in hospitals of type 3 construction; or

(b) Duct penetrations of floor assemblies which are protected as specified in NFPA 90A.

(2) ESCALATORS. All escalators shall be enclosed as specified in s. ILHR 58.06 (2).

History: Cr. Register, December, 1981, No. 312, eff. 1-1-82; am. (1) (intro.), Register, October, 1982, No. 322, eff. 11-1-82; am. (1) (b), Register, January, 1994, No. 457, eff. 2-1-94.

ILHR 58.24 Protection from hazards. (1) ENCLOSURES. (a) *General.* All hazards listed in Table 58.24-A shall be enclosed from other areas of the building with fire-resistive rated construction as specified in Table 58.24-A.

(b) *Openings.* 1. All openings into boiler, furnace or emergency generator enclosures shall be protected with self-closing fire-resistive door assemblies as specified in s. ILHR 51.047.

2. All openings into other hazard enclosures shall be protected with fire-resistive door assemblies as specified in ss. ILHR 51.047 and 58.21.

ILHR 58.24

TABLE 58.24-A

HAZARDS	FIRE-RESISTIVE RATING IN HOURS	
	Buildings 3 Stories or Less ¹	Buildings Over 3 Stories
Boilers (including fuel room and breeching)	2	3
Furnaces (including fuel room and breeching)	2	3
Laundries and drying rooms	2	3
Emergency generators (cannot be located in boiler or furnace room)	2	3

¹The minimum hourly ratings specified may be reduced by one hour in buildings less than 3 stories in height and protected by a complete automatic fire sprinkler system. The minimum rating shall not be less than one hour.

(2) SEPARATIONS. All hazards listed in Table 58.24-B shall be vertically separated from other areas of the building with fire-resistive rated construction as specified in Table 58.24-B. All openings shall be protected with fire-resistive door assemblies as specified in s. ILHR 51.047.

TABLE 58.24-B

HAZARDS	FIRE RESISTIVE RATING IN HOURS
†Soiled Linen Rooms	1
Kitchens ¹	1
Handicraft Shops ¹	1
†Carpenter Shops	1
Repair Shops ¹	1
†Paint Shops	1
†Trash Collection Rooms	1
†Storage Rooms (containing quantities of flammable or combustible material exceeding 1 lb. of material per square foot of floor area)	1
Gift Shops ¹	1
†Laboratories (containing quantities of flammable or combustible material exceeding 1 lb. of material per square foot of floor area)	1
— All other laboratories ¹	1
Employee Locker Rooms ¹	1

¹These areas are required to be protected with an automatic sprinkler system in addition to the fire-resistive enclosure requirements specified in the table.

¹The minimum hourly ratings specified may be reduced to a smoke separation with a self-closing door in buildings protected by a complete automatic sprinkler system.

(3) FIREPLACES. Fireplaces shall be permitted in health care facilities provided:

(a) The fireplace is installed and used in areas other than patient sleeping areas which are separated from the patient sleeping areas by construction having at least a one-hour fire-resistive rating;

(b) The fireplace is equipped with safety screens and a heat tempered glass fireplace enclosure capable of withstanding temperatures of 650°F; and

(c) Combustion air for the fireplace is taken directly from outside the building.

History: Cr. Register, December, 1981, No. 312, eff. 1-1-82; am. Table 58.24-B, Register, October, 1982, No. 322, eff. 11-1-82; am. (1) and (2), cr. (3), r. and recr. Table 58.24-A, am. Table 58.24-B, Register, December, 1983, No. 336, eff. 1-1-84.

ILHR 58.25 Rubbish chutes and laundry chutes. (1) VERTICAL PROTECTION. Any rubbish chute or laundry chute shall be enclosed with walls or partitions of at least 2-hour fire-resistive construction specified in s. ILHR 51.043, except that horizontal portions of pneumatic rubbish and laundry chute systems need not be enclosed. All openings shall be protected with fire-resistive door assemblies as specified in ss. ILHR 51.047 and 58.21 (2), and shall include the opening from the chute into the collection room.

(a) All rubbish chutes may discharge into trash collecting rooms, which are used for no other purpose and are enclosed as specified in Table 58.24-B. The incinerator shall not be directly flue-fed nor shall any floor discharging chute directly connect with the combustion chamber.

(b) All laundry chutes shall discharge into laundry rooms or laundry collecting rooms, which are used for no other purpose and are enclosed as specified in Tables 58.24-A and 58.24-B.

(2) SPRINKLER PROTECTION. All rubbish chutes or laundry chutes, including pneumatic rubbish and laundry systems, shall be provided with automatic sprinkler protection specified in s. ILHR 51.23.

(3) FIRE DAMPERS. Fire dampers are required where chutes penetrate 2-hour or better fire-rated floor or wall systems in a horizontal run.

History: Cr. Register, December, 1981, No. 312, eff. 1-1-82; am. (1) (a) and (b), Register, October, 1982, No. 322, eff. 11-1-82; am. (1) (intro.), Register, December, 1983, No. 336, eff. 1-1-84.

ILHR 58.26 Interior finish. (1) SCOPE. The requirements of this section apply to the interior finishes and surfaces of a building.

Note: See s. ILHR 51.06 for specific requirements pertaining to foam plastics.

(2) WALLS AND CEILINGS. (a) *Materials.* Except as provided in par. (b), all walls and ceilings shall be Class A as specified in s. ILHR 51.01 (75a).

Note: See ch. ILHR 18 for interior finish for elevator cabs.

(b) *Exceptions.* 1. Walls and ceilings of individual rooms having a capacity of not more than 4 persons may have a Class B interior finish as specified in s. ILHR 51.01 (75a).

2. Interior finish not in excess of 10% of the aggregate wall and ceiling areas of any room or space may be Class C materials in occupancies where interior finish of Class A or Class B is required.

(c) *Napped, tufted and looped materials.* Materials such as carpeting having a napped, tufted, looped, or similar surface, when applied on walls or ceilings, shall meet the requirements of Class A interior finish.

(3) **FLOORS.** All interior finishes of floor materials shall be Class I or better as specified in s. ILHR 51.01 (75a).

(a) *Tongue and groove wood flooring.* Tongue and groove wood flooring, one-half inch thick or greater, shall be permitted.

(b) *Floor material.* Floor material, such as carpeting, shall be fire tested with the underlayment used and shall comply with the requirements as specified in ASTM E648-78, Test for Criteria Radiant Flux of Floor Covering Systems Using a Radiant Heat Source.

(4) **FIRE RETARDANT PAINTS OR SOLUTIONS.** Fire retardant paints or surface applied solutions shall not be used to satisfy the requirements of this section.

History: Cr. Register, December, 1981, No. 312, eff. 1-1-82; r. and recr. (2), Register, December, 1983, No. 336, eff. 1-1-84.

ILHR 58.27 Detection, alarm and communication systems. (1) **GENERAL.** All required detection and signaling devices and systems shall comply with the requirements of this section.

(a) All such systems shall be tested at least once a week and a record of such tests shall be kept. All system components or equipment shall be restored to normal condition promptly after each test or alarm and shall be maintained in an operable condition.

(b) The system shall be so arranged that the operation of any one station will actuate all devices connected to the system.

(c) A signaling system may be arranged to automatically perform local, incidental control functions to make the premises safer in the event of fire or to make it possible to hear alarm signals. The performance of incidental control functions, such as the release of self-opening or self-closing doors, shutting off supplies of gas, fuel oil, or electrical power, switching on emergency lights, switching off air supply ventilating fans, and other similar functions, shall not in any way impair the effective response of all required alarm indicating devices. The performance of incidental control functions shall not interfere with the power for lighting or for operating elevators.

(2) **FIRE ALARMS.** Every building shall have a manually operated fire alarm system as specified in s. ILHR 51.24 and shall comply with the following requirements:

(a) The operation of any fire alarm activating device shall automatically, without delay, accomplish general alarm indication and control functions as specified in sub. (1). Zoned, coded systems may be used.

(b) The fire alarm system shall be arranged to transmit an alarm automatically to the fire department required to serve the area in which the health care facility is located, by the most direct and reliable method approved by local regulations.

(3) **AUTOMATIC SMOKE DETECTION SYSTEM.** (a) Except as provided in par. (b), an approved automatic smoke detection system shall be installed in all corridors in nursing homes. Such systems shall be installed and maintained as specified in NFPA 72E but in no case shall smoke detectors be spaced more than 30 feet apart on center or more than 15 feet from any wall. All automatic smoke detection

systems required by this section shall be electrically interconnected to the fire alarm system.

(b) Corridor smoke detection systems are not required on the patient sleeping room floors, where each patient sleeping room is protected by an approved smoke detection system.

(4) **FIRE EXTINGUISHERS.** Portable fire extinguishers shall be provided and maintained as specified in s. ILHR 51.22.

History: Cr. Register, December, 1981, No. 312, eff. 1-1-82; am. (3) (a), Register, December, 1983, No. 336, eff. 1-1-84.

ILHR 58.28 Standpipes. (1) **FIRST-AID STANDPIPES.** First-aid standpipes shall be provided as specified in s. ILHR 51.21 for all health care facilities, unless an approved automatic sprinkler system is installed.

(2) **FIRE DEPARTMENT STANDPIPES.** Fire department standpipes shall be provided in all buildings exceeding 60 feet in height and shall comply with the requirements specified in s. ILHR 51.21.

History: Cr. Register, December, 1981, No. 312, eff. 1-1-82.

ILHR 58.29 Automatic sprinkler and other suppression systems. Automatic sprinkler systems shall comply with the requirements specified in s. ILHR 51.23, except as modified in this section.

(1) **WHERE REQUIRED.** (a) *Hospitals.* Automatic sprinkler systems shall be provided as specified in ss. ILHR 52.01 and 58.24.

(b) *Nursing homes.* 1. A complete automatic fire sprinkler system shall be provided in all nursing homes constructed after the effective date of this rule.

2. Additions to existing nursing homes shall be provided with a complete automatic fire sprinkler system. The sprinkler protection shall be provided throughout unless the addition is separated from the existing building by at least 2-hour fire-resistive construction in which case only the addition shall be protected by an automatic fire sprinkler system.

(2) **SPRINKLER CONTROL VALVES.** (a) The main sprinkler control valves shall be electrically supervised so that at least a local alarm will sound at a constantly supervised location when the valve is closed.

(b) All valves other than the main sprinkler control valve shall be electrically supervised or secured with a key locking device.

(3) **WATER FLOW SWITCH.** The water flow alarm switch for the automatic sprinkler system shall be electrically interconnected with the fire alarm system.

(4) **PARTIAL AUTOMATIC SPRINKLER SYSTEM.** The sprinkler piping serving no more than 6 sprinklers for any isolated hazardous area, may be connected directly to a domestic water supply system having a capacity sufficient to provide 0.15 gallons per minute per square foot of floor area throughout the entire enclosed area.

(a) *Indicating shut-off valve.* An indicating shut-off valve shall be installed in an accessible location between the sprinklers and the connection to the domestic water supply.

ILHR 58.29

(b) *Water flow detection.* Where more than 2 sprinklers are installed in a single area, water flow detection shall be provided to sound the building fire alarm system in the event of sprinkler operation.

(5) **OTHER AUTOMATIC SUPPRESSION SYSTEMS.** (a) *Types.* Other automatic suppression systems such as, but not limited to, carbon dioxide, dry chemical, foam and Halon 1301, may be installed in lieu of an automatic water sprinkler system in any occupancy where the extinguishment or control of fire may be more effectively accomplished by this type of automatic suppression system.

(b) *Activation.* These suppression systems shall be installed such that the fire alarm system will sound when the suppression system is activated.

History: Cr. Register, December, 1981, No. 312, eff. 1-1-82; am. (2) (a), Register, December, 1983, No. 336, eff. 1-1-84; am. (1) (b), Register, August, 1985, No. 356, eff. 1-1-86.

ILHR 58.30 Smoke barrier. (1) **DEFINITION.** A smoke barrier is a separation wall which is continuous from outside wall to outside wall and from floor slab to the underside of the floor slab or roof slab above, including all concealed spaces such as those found above a ceiling including interstitial spaces.

(2) **FIRE-RESISTIVE RATING.** Smoke barriers shall have a one-hour fire-resistive rating specified in s. ILHR 51.043.

(3) **WHERE REQUIRED.** Smoke barriers are required to:

(a) Limit the area on any story to a length and width of not more than 150 feet;

(b) Divide every story into at least 2 compartments; and

(c) Enclose elevator lobbies on each floor.

(4) **DOORS.** (a) Corridor openings in smoke barriers shall be protected by a pair of swinging doors, each door to swing in a direction opposite from the other. Each door shall have a minimum width of 44 inches, except corridor openings in areas not intended for the housing, treatment, or use of patients may be protected by a single door having a minimum width of 36 inches.

(b) Doors in smoke barriers shall be self-closing and have at least a 20 minute fire-resistive rating, except doors may be held open as specified in s. ILHR 58.21.

(c) Door louvers and grills are prohibited. Doors may be undercut to a maximum of $\frac{3}{4}$ inches.

(d) A vision panel complying with the requirements of s. ILHR 51.048 and not exceeding 1,296 square inches in area, shall be provided in each door in a smoke barrier and shall be set in steel frames. The bottom of the vision panel shall be located not more than 40 inches off the floor.

(e) Rabbits, bevets, or astragals are required at the meeting edges, and stops are required on the head and sides of door frames. Positive latching hardware is not required.

(f) Center mullions are prohibited.

(5) **DAMPERS.** An approved damper designed to resist the passage of smoke shall be provided at each point a duct penetrates a smoke barrier. The damper shall close upon

detection of smoke by an approved smoke detector, located within the duct except that:

(a) The approved damper, if located above a smoke barrier door, may be arranged to close upon detection of smoke by the local device designed to detect smoke on either side of the smoke barrier door opening.

(b) Buildings designed with an engineered smoke control system as specified in NFPA 90A, Standard for the Installation of Air Conditioning and Ventilating Systems, need not comply with this requirement.

(6) **VISION PANELS.** (a) Except as provided in par. (b), fixed wire glass vision panels shall be permitted in smoke barrier walls, provided the vision panels do not exceed 1,296 square inches in area. The vision panels shall have bolted steel frames and the glazing material shall be listed by an approved testing laboratory.

(b) Vision panels shall not be restricted in area and in fire resistance of glass or frames in buildings equipped throughout with an approved automatic extinguishing system.

History: Cr. Register, December, 1981, No. 312, eff. 1-1-82.

ILHR 58.31 Construction of corridor walls. (1) **FIRE-RESISTIVE RATING.** Except as otherwise provided in this section, corridors shall be separated from all other areas by partitions which are continuous from the floor slab to the underside of the roof or floor slab above, through any concealed spaces such as those above suspended ceilings, and through interstitial structural and mechanical spaces, and shall have at least a one-hour fire-resistive rating as specified in s. ILHR 51.043.

(a) In health care facilities equipped throughout with an approved automatic extinguishing system, a corridor may be separated from all other areas by nonfire-rated partitions, and where suspended ceilings are provided, the partitions may be terminated at the suspended ceiling.

(b) Corridor partitions may terminate at ceilings which are not an integral part of a floor construction if there is at least 5 feet of space between the top of the ceiling subsystem and the bottom of the floor or roof above provided:

1. The ceiling is of membrane type with a finish rating of 15 minutes;

2. Corridor partitions form smoke-tight joints with the ceilings (joint filler, if used, must be noncombustible);

3. Each compartment of interstitial space which constitutes a separate smoke area is vented, in case of smoke emergency, to the outside by mechanical means having a capacity to provide at least 2 air changes per hour, but in no case having a capacity less than 5,000 cfm;

4. The interstitial space shall not be used for storage; and

5. The space shall not be used as a plenum for supply, exhaust or return air except as provided in subd. 3.

(c) Waiting areas on a patient sleeping floors may be open to the corridor, provided:

1. The area does not exceed 250 square feet;

2. The area is located to permit direct supervision by the facility staff;

3. The area is equipped with an electrically supervised automatic smoke detection system installed as specified in s. ILHR 58.27; and

4. Not more than one such waiting area is permitted in each smoke compartment.

(d) Waiting areas on floors other than institutional sleeping floors may be open to the corridor, provided:

1. Each area does not exceed 600 square feet;

2. The area is located to permit direct supervision by the facility staff;

3. The area is arranged not to obstruct any access to required exits;

4. The area is equipped with an electrically supervised, automatic smoke detection system installed as specified in s. ILHR 58.27.

(e) Buildings equipped throughout with an approved automatic sprinkler system may have spaces open to the corridor which are unlimited in size provided:

1. The spaces are not used for patient sleeping rooms, treatment rooms or hazardous areas;

2. Each space is located to permit direct supervision by the facility staff;

3. The space and corridors which the space opens onto in the same smoke compartment are protected by an electrically supervised automatic smoke detection system installed as specified in s. ILHR 58.27; and

4. The space is arranged not to obstruct access to required exits.

(f) Space for doctors' and nurses' charting, communications, and related clerical areas may be open to the corridor.

(2) **VISION PANELS.** (a) Fixed wire glass vision panels shall be permitted in corridor walls provided they do not exceed 1,296 square inches in area and comply with the requirements specified in s. ILHR 51.048.

(b) Vision panels shall not be restricted in area and in fire resistance of glass or frames in buildings equipped throughout with an approved automatic extinguishing system.

(3) **DOORS.** Except as otherwise provided in this subsection, doors protecting corridor openings, other than required enclosures of exits or hazardous areas, shall have a 20-minute fire-resistive rating and be provided with latches. Fixed wire glass vision panels installed in these doors shall not exceed 720 square inches in area and shall be mounted in approved steel frames.

(a) In buildings equipped with a complete approved automatic sprinkler system:

1. Such doors and frames are not required to have a fire-resistive rating, but shall be constructed to resist the passage of smoke;

2. Such doors are provided with latches of a type suitable for keeping the door tightly closed; and

3. There is no restriction on the area of vision panels in these doors, the vision panels do not need to be wired, and there is no restriction in the type of frames.

(b) Door closing devices are not required on doors in corridor wall openings, other than those exits or required enclosures of hazardous areas.

(c) Labeled door frames are not required on openings other than those serving exits or required enclosures of hazardous areas, providing the door frames and stops are of steel construction.

(d) Doors to toilet rooms, bathrooms, shower rooms, sink closets, and similar auxiliary spaces which do not contain flammable or combustible materials need not comply with this section.

(4) **TRANSFER GRILLS.** Transfer grills shall not be used in these walls or doors, except doors to toilet rooms, bathrooms, shower rooms, sink closets and similar auxiliary spaces which do not contain hazardous quantities of flammable or combustible materials may have ventilating louvers or may be undercut.

History: Cr. Register, December, 1981, No. 312, eff. 1-1-82.

Part 5 – Sanitary Facilities

ILHR 58.32 Sanitary facilities. (1) TOILET ROOMS. Every building included under the scope of this subchapter shall be provided with separate toilet rooms for each sex, and shall comply with the requirements as specified in this section and:

(a) Sections ILHR 52.50 (2) (b) to 52.62; and

(b) Sections ILHR 52.04 (4) and (8), 52.041 and 52.042.

(2) **SANITARY FIXTURES.** (a) *Patients.* The number of fixtures required for each sex shall comply with the ratios as specified in Table 58.32.

(b) *Employees.* The number of fixtures for employees shall comply with the requirements as specified in Table 54.12-B.

(c) *General public.* The number of fixtures for the general public shall comply with the requirements as specified in Table 54.12-A and s. ILHR 52.04 (4) and (8).

Note: See ch. HSS 124 — Hospitals and ch. HSS 132 — Nursing Homes, for special requirements and locations for water closets, lavatories and bathing facilities.

TABLE 58.32
NUMBER OF SANITARY FIXTURES REQUIRED FOR
RESIDENTS OF HEALTH CARE FACILITIES^{1,2}

Type of Occupancy	Type of Fixture			
	Water Closets (WC)	Lavatories (L)	Bathtubs or Showers	Drinking Facilities (DF)
Nursing Homes	One (WC) per every 2 patient rooms and not more than 4 beds	One (L) per every 2 patient rooms and not more than 4 persons per each (L)	One per each 20 patients or fraction	One (DF) for each 100 persons
Hospitals	One (WC) per every 2 patient rooms and not more than 4 beds	One (L) per every 2 patient rooms and not more than 4 persons per each (L)	One per each 15 patients or fraction	One (DF) for each 100 persons

¹ For structures with additions or alterations, the required number of sanitary fixtures shall be the sum of the fixtures required for the existing portion at the time it was constructed plus the fixtures required by this table for the new addition or altered area. At such time as the summation of the addition and alteration area is equal to or greater than 51% of the building area calculated as specified in s. ILHR 50.03 (4) (d), fixtures shall be provided in conformance to this table utilizing the capacity of the entire building.

² Where a single toilet room designated as UNISEX is provided, it shall be considered as accommodating no more than 10 employees and 25 occupants.

History: Cr. Register, December, 1981, No. 312, eff. 1-1-82; r. and recr. Register, August, 1993, No. 452, eff. 3-1-94.

Subchapter II — Detention and Correctional Facilities

Part 1 — Scope

ILHR 58.40 Scope. The requirements of this subchapter shall apply to all detention and correctional facilities, constructed on or after the effective date of this subchapter.

History: Cr. Register, December, 1981, No. 312, eff. 1-1-82.

ILHR 58.41 Definitions. For the purpose of this subchapter, the following terms are defined:

(1) "Borrowed light" means an opening in an interior partition which provides natural light to an interior space.

(2) "Dayroom" means any room used as a group activity space and located contiguous to the sleeping rooms.

(3) "Detention and correctional facilities" means any building or part of a building used for purposes such as jails, detention centers, correctional institutions, reformatories, houses of correction, pre-release centers, and other residential care facilities where occupants are forcibly confined.

(4) "Holding room" means any room used for confining persons for a maximum of 72 hours for the purpose of booking, court appearances and similar type functions.

(5) "Program support facility" means any detention or correctional facility, other than sleeping areas, containing only those facilities such as schools, theaters, assembly halls, shops, gyms, offices, medical facilities, food service and dining facilities, laundries, gatehouses and other similar facilities, where the occupancy of these areas is primarily residents or detention staff or both.

(6) "Smoke barrier" means a separation wall which extends continuously from outside wall to outside wall and from the floor to the underside of the floor slab or roof slab above, including all concealed spaces such as those found above a ceiling including interstitial spaces.

Register, January, 1994, No. 457

(7) "Smoke compartment" means a space within a building enclosed by smoke barriers on all sides.

(8) "Security vestibule" means a compartment provided with 2 or more doors with the intended purpose to prevent the continuous and unlimited passage by allowing the release of only one door at a time.

History: Cr. Register, December, 1981, No. 312, eff. 1-1-82; am. (4), Register, December, 1983, No. 336, eff. 1-1-84.

Part 2 — General Requirements

ILHR 58.42 Class of construction. (1) BUILDINGS OR PORTIONS OF BUILDINGS WITH SLEEPING ROOMS. All detention and correctional facilities containing sleeping facilities or holding rooms or both shall be at least type 2 construction as specified in s. ILHR 51.03.

(2) PROGRAM SUPPORT FACILITIES. All program support facilities shall be constructed in accordance with the following:

(a) *One-story building.* All buildings one-story in height shall be at least type 6, totally non-combustible construction as specified in s. ILHR 51.03.

(b) *Two-stories or more in height.* All buildings 2-stories or more in height shall be at least type 2 construction as specified in s. ILHR 51.03.

History: Cr. Register, December, 1981, No. 312, eff. 1-1-82; am. (1), Register, December, 1983, No. 336, eff. 1-1-84.

ILHR 58.43 Program support facilities. All program support facilities shall comply with the specific occupancy chapter requirements as specified in chs. ILHR 54 to 62, except as modified in ss. ILHR 58.59 and 58.64.

History: Cr. Register, December, 1981, No. 312, eff. 1-1-82.

ILHR 58.44 Separation from other occupancies. (1) OCCUPANCY SEPARATION. Occupancies not within the scope of this subchapter, built in connection with any detention or correctional facility shall be separated from any such detention or correctional facility by at least 2-hour fire-resistive rated construction as specified in s. ILHR 51.04. Auditoriums, chapels, dining rooms, residential facilities and other similar areas provided for the residents need not be

separated with rated construction. Class of construction separations shall comply with s. ILHR 51.02 (20).

(2) **GARAGES.** (a) Storage garages and repair garages shall be separated from detention and correctional facilities as specified in s. ILHR 59.22.

(b) Areas accommodating vehicles for the purpose of loading or unloading persons or material need not be separated from detention and correctional facilities. Storage or repair of the vehicles is prohibited in the loading and unloading areas, unless the type of construction meets the requirements for a garage.

(3) **PROTECTION OF OPENINGS.** All openings in occupancy separations shall be protected by fire-resistive door assemblies as specified in s. ILHR 58.60.

(4) **EXITING FROM MIXED OCCUPANCIES.** Required means of egress from all detention and correctional occupancies may exit through non-detention and non-correctional occupancies provided the means of egress complies with the requirements specified in this subchapter.

History: Cr. Register, December, 1981, No. 312, eff. 1-1-82; am. (2) (a), Register, October, 1982, No. 322, eff. 11-1-82; am. (3), Register, December, 1983, No. 336, eff. 1-1-84; cr. (4), Register, August, 1985, No. 356, eff. 1-1-86.

ILHR 58.45 Windows. (1) **NATURAL LIGHTING.** Every sleeping room, except holding rooms where residents are detained for a time period not to exceed 72 hours, shall be provided with natural light. The natural light may be provided directly to the sleeping room by windows or sky lights or may be transferred indirectly to the space through the use of borrowed lights. The natural light shall be provided through either clear or translucent glazing with the area of the sash being at least 8% of the floor area served.

(2) **VENTILATION.** Every sleeping room shall be provided with ventilation in accordance with one of the following:

(a) Windows or skylights with an openable area not less than 4% of the floor area served and located within the sleeping room; or

(b) Mechanical ventilation as specified in s. ILHR 64.58 (2) and provided with an emergency source of power.

History: Cr. Register, December, 1981, No. 312, eff. 1-1-82; am. (1), Register, October, 1982, No. 322, eff. 11-1-82.

ILHR 58.46 Size of sleeping rooms. Every sleeping room shall provide at least 400 cubic feet of space for each occupant. In places of detention, day rooms may be used to satisfy the 400-cubic-foot-per-person volume requirement provided the following criteria are met:

(1) The shared day room space shall be immediately adjacent to the sleeping room and the combined volume of the day room and the sleeping room shall be a minimum of 400 cubic feet per occupant; and

(2) Ventilation shall be provided by one of the following methods:

(a) Natural ventilation shall be based on the ratio of 2 square feet per person of openable windows or skylights. The natural ventilation may be drawn from any openable windows or skylights located accessible to the sleeping room. A minimum of 50% of the vertical plane separating

the sleeping room from the day room shall be open, such as may be provided with bars or security grilles.

(b) Mechanical ventilation shall be provided in accord with s. ILHR 58.45 (2) (b) if a minimum of 50% of the vertical plane separating the sleeping room from the day room is not open. The sleeping room shall have a minimum of 35 square feet of floor area per person. The floor area shall include all area within the walls of the sleeping room, including the space taken up by beds, lavatories, water closets and furniture.

Note 1: Section DOC 350.05 requires a ceiling height of at least 8 feet in sleeping rooms, and a floor area of at least 54 square feet in single occupancy cells.

Note 2: Section DOC 350.07 requires the floor area in double occupancy cells to be at least 70 square feet for jails constructed or substantially remodeled on or after March 1, 1990, and at least 54 square feet for jails constructed before March 1, 1990.

History: Cr. Register, December, 1981, No. 312, eff. 1-1-82; r. and recr. Register, January, 1994, No. 457, eff. 2-1-94.

ILHR 58.47 Sleeping rooms below grade. All buildings having sleeping rooms below grade shall be designed and constructed to prevent penetration or collection of moisture within occupied spaces.

History: Cr. Register, December, 1981, No. 312, eff. 1-1-82.

Part 3 - Means of Egress Requirements

ILHR 58.48 Required means of egress. (1) **GENERAL REQUIREMENTS.** All required means of egress doors shall comply with s. ILHR 51.15, except as modified in this section and s. ILHR 58.59.

(2) **DOORS IN MEANS OF EGRESS.** (a) Doors in a means of egress may be of the horizontal sliding type, providing the force to slide the door to its fully open position does not exceed 37 pounds.

(b) A door which serves an area with a capacity not more than 25 persons is not required to open in the direction of egress.

(3) **EXIT DISCHARGE.** Exit discharge may terminate at one of the following:

(a) Directly at the exterior of the building;

(b) At a horizontal exit; or

(c) Into a fenced or walled court, provided that not more than 2 walls of the court are the walls of the building from which exit is being made. Enclosed yards or courts shall be sized to accommodate all occupants, a minimum of 30 feet from the building with a net area of 15 square feet per person. Access from the fenced or walled court to the public thoroughfare may be fenced and locked.

(4) **EXIT ACCESS.** A dayroom may serve as a portion of the exit access from a sleeping room.

History: Cr. Register, December, 1981, No. 312, eff. 1-1-82.

ILHR 58.49 Exit doors, number and type of exits. (1) **NUMBER.** At least 2 exits shall be accessible from each floor of the building and shall be located such that in case any exit is blocked, some other exit will still be accessible.

(2) **EXIT DOORS.** All exit doors shall be at least 36 inches in width.

ILHR 58.49

(3) **EXIT ACCESS DOORS.** All exit access doors shall be at least 36 inches in width, except for the following modifications:

(a) Doors to sleeping rooms shall be at least 28 inches in width;

(b) Doors to sleeping rooms designated for use by the physically disabled shall be at least 32 inches in width; or

(c) Doors to dayrooms shall be at least 32 inches in width.

(4) **TYPE OF EXITS.** (a) Required exits shall be by a door leading directly to a stairway, smokeproof tower, ramp, horizontal exit, exit passageway or outside the building as specified in this subchapter. No more than one-half of the required exits may be horizontal exits.

(b) Where a detention or correctional facility, other than a hospital or nursing home, is located on the upper floors of a building having a different occupancy, at least one of the exits from the detention or correctional facility shall be a separate smokeproof tower as specified in s. ILHR 51.17. The smokeproof tower shall serve only the detention or correctional facility and there shall be no doors opening into the smokeproof tower from any other occupancy of the building.

History: Cr. Register, December, 1981, No. 312, eff. 1-1-82.

ILHR 58.50 Stairways. (1) GENERAL. (a) All required exit stairways shall comply with the requirements specified in s. ILHR 51.16 and shall be enclosed as specified in s. ILHR 51.18.

(b) 1. Except as provided in subd. 2., stairways in addition to those required by this chapter need not lead to the outside but shall be enclosed as required in par. (a).

2. Nonrequired stairways serving open mezzanines need not be enclosed.

(2) **STAIRWAY TERMINATION.** Stairways provided in addition to those required by this subchapter shall be enclosed as specified in s. ILHR 51.18 but need not lead to the outside. A sign or label shall be posted on the doors of the stair enclosures and shall bear the following: "Not an Exit".

History: Cr. Register, December, 1981, No. 312, eff. 1-1-82; am. Register, December, 1983, No. 336, eff. 1-1-84; am. (1) (a) and cr. (1) (b), Register, August, 1985, No. 356, eff. 1-1-86.

ILHR 58.51 Smokeproof towers. Smokeproof stair towers shall comply with the requirements specified in ss. ILHR 51.17 and 58.48.

History: Cr. Register, December, 1981, No. 312, eff. 1-1-82.

ILHR 58.52 Horizontal exits. (1) GENERAL. Horizontal exits shall comply with the requirements in s. ILHR 51.19, except as modified in this section.

(2) **AREA.** At least 6 net square feet of accessible space per occupant shall be provided on each side of the horizontal exit for the total number of people in the adjoining compartment.

(3) **DOORS.** (a) A single door used as a horizontal exit shall serve one direction only, be at least 36 inches wide and swing in the direction of egress.

Register, January, 1994, No. 457

(b) Horizontal exit doors may be locked as specified in s. ILHR 58.59.

(4) **RESTRICTIONS.** If a horizontal exit is used as a smoke barrier, it shall comply with s. ILHR 58.67.

History: Cr. Register, December, 1981, No. 312, eff. 1-1-82.

ILHR 58.53 Ramps. (1) MINIMUM WIDTH. (a) *Interior ramps.* Interior ramps shall be a minimum of 44 inches wide, of which not more than 4 inches on each side may be occupied by a handrail.

(b) *Exterior ramps.* Exterior ramps shall be a minimum of 48 inches wide, of which not more than 4 inches on each side may be occupied by a handrail.

(2) **SLOPE.** Ramps shall have a slope of not more than one foot of rise in 8 feet of run, except ramps providing access for the disabled shall comply with s. ILHR 52.04 (7).

(3) **ENCLOSURE.** Ramps used as a required means of egress shall comply with the enclosure requirements for stairways in s. ILHR 51.18.

(4) **LANDINGS AND PLATFORMS.** (a) If a door is provided at the top or bottom or both of a ramp, a landing or platform shall be placed between the door and the ramp regardless of the direction of swing of the door.

(b) Every landing or platform shall be at least as wide as the ramp, measured at right angles to the direction of travel. The length of every landing or platform shall be at least as wide as the ramp, but need not exceed 48 inches.

History: Cr. Register, December, 1981, No. 312, eff. 1-1-82; cr. (4), Register, December, 1983, No. 336, eff. 1-1-84.

ILHR 58.54 Required exit width. (1) OCCUPANT LOAD. The occupant load for which means of egress shall be provided shall be the maximum number of persons occupying that floor, but not less than one person for each 120 sq. ft. gross floor area.

(2) **REQUIRED EXIT WIDTH.** The required exit width shall comply with s. ILHR 51.15 (6).

History: Cr. Register, December, 1981, No. 312, eff. 1-1-82.

ILHR 58.55 Arrangement of means of egress. (1) SLEEPING ROOM. Every sleeping room shall have a door leading directly to an exit access, except where an exit door opens directly to the outside from the room at the ground level.

(2) **CORRIDOR ACCESS.** (a) Every aisle, corridor and hallway shall provide access to at least 2 exits complying with s. ILHR 58.48.

(b) Every aisle, corridor and hallway used for exit access shall be at least 44 inches in clear and unobstructed width.

(3) **EXIT PASSAGEWAYS.** Every exit passageway shall be at least 44 inches in width.

(4) **AREA EXITING.** Any room, suite of rooms, space or area accommodating 25 persons or more, shall have at least 2 exit access doors distributed to provide the best possible means of egress from the room.

(5) **SECURITY VESTIBULE EXITING.** A security vestibule may be permitted in a means of egress where there are pro-

visions for continuous and unobstructed passage through the security vestibule during an emergency exit condition.

(6) **DEAD END CORRIDOR.** Every exit or exit access shall be so arranged that no corridor, aisle or passageway has a pocket or dead end exceeding 30 feet.

History: Cr. Register, December, 1981, No. 312, eff. 1-1-82; cr. (6), Register, August, 1985, No. 356, eff. 1-1-86.

ILHR 58.56 Measurement of travel distance to exits. All exits in detention and correctional facilities shall be located to provide means of egress remote from one another.

(1) **EXIT ACCESS TO AN EXIT.** Travel distance shall be measured along passageways. The distance between any room door required as an exit access and an exit shall not exceed 100 feet, except that in buildings protected with a complete automatic sprinkler system the distance shall not exceed 150 feet.

(2) **ROOM TO AN EXIT.** Travel distance shall be measured along passageways. The distance between any point in a room and an exit shall not exceed 150 feet, except that in buildings protected with a complete automatic sprinkler system the distance shall not exceed 200 feet.

(3) **SLEEPING ROOM TO AN EXIT ACCESS.** Travel distance shall be measured along passageways. The distance between any point in a sleeping room or suite and an exit access door to that room or suite shall not exceed 50 feet.

History: Cr. Register, December, 1981, No. 312, eff. 1-1-82.

ILHR 58.57 Illumination of means of egress. (1) **ILLUMINATION.** Artificial lighting shall be provided at all exits and for such period of times as required to maintain safe exiting.

(2) **ILLUMINATION LEVEL.** The floors of means of egress shall be illuminated at all points including angles and intersections of corridors and passageways, stairs, landings of stairs and exit doors to values specified in ch. Ind 19.

History: Cr. Register, December, 1981, No. 312, eff. 1-1-82.

ILHR 58.575 Emergency lighting. Emergency lighting complying with the requirements specified in ch. ILHR 16 shall be required when 20 or more resident beds are provided.

History: Cr. Register, December, 1983, No. 336, eff. 1-1-84.

ILHR 58.58 Marking of means of egress. (1) **EXIT SIGNS.** Every required exit shall be identified with an internal illuminated, red exit sign bearing the word "EXIT" or "OUT" in plain letters not less than 6 inches high, with the principal strokes of the letter not less than $\frac{3}{4}$ inches.

(2) **DIRECTIONAL SIGNS.** An illuminated sign, not less than 6 inches high, reading "EXIT" or similar designation, with an arrow indicating the direction, shall be placed in every location where the direction of travel to reach the nearest exit is not immediately apparent.

(3) **OBSTRUCTIONS.** (a) Decorations, furnishings or equipment which impair visibility of an exit sign shall not be permitted. Displays, objects in or near the line of vision to the required exit sign, or brightly illuminated signs used for purposes other than exits shall not be permitted so as to detract attention from the exit sign.

(b) Hangings or draperies shall not be placed over exit doors or be located as to conceal or obscure any exit. Mirrors shall not be placed on exit doors. Mirrors shall not be placed in or adjacent to any exit in such a manner as to confuse the direction of exit.

(4) **SPECIAL SIGNS.** Any door, passage, or stairway which is neither an exit nor a way of exit access, and which is located or arranged that it may be mistaken for an exit, shall be identified by a sign indicating it is not an exit.

History: Cr. Register, December, 1981, No. 312, eff. 1-1-82.

ILHR 58.59 Door locks. All doors in detention and correctional facilities having locking devices shall comply with the following requirements:

(1) **LOCKING OF MEANS OF EGRESS DOORS.** All doors in detention and correctional facilities may be locked in accordance with this section, providing that staff is on duty 24 hours a day.

(a) *Locks at sleeping rooms.* 1. Single sleeping room. A single sleeping room may be key locked.

2. Two or more sleeping rooms. Where 2 or more sleeping rooms within a smoke compartment are locked, a remote locking and unlocking device shall be provided. The remote locking and unlocking device shall be located outside of the sleeping room areas.

(b) *Locks at exterior doors, stairways and horizontal exits.* Doors from the secured areas to the exterior of the building, into stairway enclosures or at horizontal exits may be locked with a key lock. The keys to unlock such doors shall be maintained and available at the facility at all times and the locks shall be operable from the outside.

(2) **REMOTE RELEASE.** All remote release operated doors shall be provided with a back-up means of operation as follows:

(a) Power-operated sliding doors or power operated locks shall be so constructed that in the event of power failure a manual mechanical means to release and open the doors is provided at each door and either emergency power in accordance with ch. ILHR 16 is provided for the power operation or a remote manual mechanical release is provided.

(b) Mechanically operated sliding doors or mechanically operated locks shall be provided with a manual mechanical means to release and open the door at the door.

(3) **REMOTE UNLOCKING.** Doors remotely unlocked under emergency conditions shall not automatically relock when closed unless specific action is taken at the remote location to enable doors to relock.

(4) **STANDBY EMERGENCY POWER.** Standby emergency power shall be provided for all electrically power-operated doors and power-operated locks. Power shall be arranged to automatically operate upon failure of normal power within 10 seconds and to maintain the necessary power source for at least 1½ hours.

History: Cr. Register, December, 1981, No. 312, eff. 1-1-82; am. (1) (b), Register, December, 1983, No. 336, eff. 1-1-84; r. and recr. (2), Register, August, 1985, No. 356, eff. 1-1-86.

ILHR 58.59

Part 4 - Protection

ILHR 58.60 Protection of openings. (1) DOORS. Doors protecting openings in occupancy separations, smoke barriers, or horizontal exits shall be self-closing fire-resistive door assemblies as specified in s. ILHR 51.047.

(2) CLOSING DEVICE. Doors protecting such openings shall be equipped with a closing device and shall normally be kept closed, except the doors may be held open by a hold open device actuated by products of combustion other than heat. The closing device shall be arranged such that the activation of any of the following systems will initiate the self-closing action of all such doors:

- (a) Manual fire alarm systems;
- (b) Automatic smoke detection systems;
- (c) Fire detection systems; or
- (d) Automatic sprinkler systems.

History: Cr. Register, December, 1981, No. 312, eff. 1-1-82; am. (2) (intro.), Register, December, 1983, No. 336, eff. 1-1-84.

ILHR 58.61 Protection of vertical openings. (1) Every elevator shaft, dumbwaiter shaft, laundry chute, wastepaper chute, pipe shaft, rubbish chute and other similar vertical shafts in buildings shall be enclosed with at least 2-hour fire-resistive construction as specified in s. ILHR 51.043. All openings shall be protected with fire-resistive door assemblies as specified in s. ILHR 51.047.

(2) (a) Vertical open shafts serving tiered multilevel residential housing areas shall be enclosed in accordance with s. ILHR 51.02 (11), unless:

1. The entire normally occupied area, including all communicating floor levels, is sufficiently open and unobstructed so that it may be assumed that a fire or other dangerous condition in any part will be readily obvious to the occupants or supervisory personnel in the area;

2. Exit capacity is sufficient to provide simultaneously for all the occupants of all communicating levels and areas, with all communicating levels in the same fire area being considered as a single floor area for purposes of determination of required exit capacity; and

3. The height between the highest and lowest finished floor levels does not exceed 13 feet and the number of levels is not restricted.

History: Cr. Register, December, 1981, No. 312, eff. 1-1-82; am. Register, December, 1983, No. 336, eff. 1-1-84; 58.61 renum. to 58.61 (1), cr. (2), Register, March, 1991, No. 423, eff. 4-1-91.

ILHR 58.62 Isolation of hazards. (1) ENCLOSURES. All hazards shall be enclosed from other areas of the building with fire-resistive rated construction and specified in Table 58.62.

(2) OPENINGS. (a) All openings into boiler, furnace and emergency generator enclosures shall be protected with self-closing fire-resistive door assemblies as specified in s. ILHR 51.047.

(b) All openings into other hazard enclosures shall be protected with fire-resistive door assemblies as specified in ss. ILHR 51.047 and 58.60 (2).

TABLE 58.62

HAZARDS	FIRE-RESISTIVE RATING IN HOURS	
	Buildings 3 Stories or Less ¹	Buildings Over 3 Stories
Boiler (including fuel room and breeching)	2	3
Furnace (including fuel room and breeching)	2	3
Emergency generators (cannot be located in boiler or furnace rooms)	2	3
Laundries (having gas or open flame equipment)	2	3
Kitchens (commercial type)	2	3
Handicraft shops	2	3
Carpenter shops	2	3
Repair shops	2	3
Paint shops	2	3
Trash collection	2	3
Storage rooms (containing quantities of flammable or combustible material exceeding 1 lb. of material per square foot of floor area)	2	3

¹The minimum hourly ratings specified may be reduced by one hour in buildings less than 3 stories in height and protected by a complete automatic fire sprinkler system. The minimum rating shall not be less than one hour.

History: Cr. Register, December, 1981, No. 312, eff. 1-1-82; r. and rec. Table, am., Register, December, 1983, No. 336, eff. 1-1-84; am. Table, Register, January, 1994, No. 457, eff. 2-1-94

ILHR 58.63 Fire protection systems. (1) SPRINKLER SYSTEMS. Automatic fire sprinkler systems shall be provided as outlined in ss. ILHR 52.01, 52.011, 52.012 and 52.013.

(2) STANDPIPE SYSTEMS. (a) First-aid standpipes. First-aid standpipes shall be provided as specified in s. ILHR 51.21 for all detention and correctional facilities 60 feet or

Register, January, 1994, No. 457

less in height, unless an approved automatic sprinkler system is installed.

(b) Fire department standpipes. Fire department standpipes shall be provided in all detention and correctional facilities exceeding 60 feet in height and shall comply with s. ILHR 51.21.

(3) FIRE EXTINGUISHERS. Portable fire extinguishers shall be provided and maintained as specified in s. ILHR 51.22.

Note: The department will accept placing portable fire extinguishers in a manner as indicated in s. ILHR 58.64 (1) or (2) to minimize their potential for being used as weapons.

History: Cr. Register, December, 1981, No. 312, eff. 1-1-82; r. and recr., Register, March, 1991, No. 423, eff. 4-1-91; cr. (3), Register, January, 1994, No. 457, eff. 2-1-94.

ILHR 58.64 Fire alarms. All detention and correctional facilities shall have a manually operated fire alarm system as specified in s. ILHR 51.24, except as modified in this section.

(1) **MANUAL FIRE ALARM BOXES.** Manual fire alarm boxes may be locked, providing all staff carry the key which will unlock the fire alarm box.

(2) **LOCATION OF MANUAL FIRE ALARM BOXES.** Manual fire alarm boxes may be located at staff locations in lieu of being located at exits and stairways.

History: Cr. Register, December, 1981, No. 312, eff. 1-1-82.

ILHR 58.65 Automatic smoke detection system. (1) **LOCATION.** An approved automatic smoke detection system shall be installed in all sleeping rooms, holding rooms and in all corridors in connection with the sleeping room areas. Such systems shall be installed in accordance with NFPA 72E but in no case shall smoke detectors be spaced more than 30 feet apart on center or more than 15 feet from any wall, except as provided in sub. (2). All automatic smoke detection systems required by this section shall be electrically interconnected to the fire alarm system.

(2) **EXCEPTION.** Other arrangements and positioning of smoke detectors may be used to prevent damage or tampering or for other purposes provided the function of detecting any fire is fulfilled. This may include the location of detectors in exhaust ducts from sleeping rooms, behind grills, or in other locations.

Note: See s. ILHR 52.015 for requirements pertaining to automatic fire sprinkler systems for detention and correctional facilities.

History: Cr. Register, December, 1981, No. 312, eff. 1-1-82; am. (1), Register, December, 1983, No. 336, eff. 1-1-84.

ILHR 58.66 Interior finishes. (1) **WALLS AND CEILINGS.** Interior finish of walls and ceilings in corridors, exits and any space not separated from exit access corridors and exits by a partition capable of retarding the passage of smoke shall be Class A. All other areas shall be Class A, B or C as defined in s. ILHR 51.01 (75a).

(2) **FLOORS.** Interior floor finish in corridors and exits and any space not separated from exit access corridors and exits by a partition capable of retarding the passage of smoke shall be Class I as defined in s. ILHR 51.01 (75a).

History: Cr. Register, December, 1981, No. 312, eff. 1-1-82.

ILHR 58.67 Smoke barrier. (1) **FIRE-RESISTIVE RATING.** Smoke barriers shall have a one-hour fire-resistive rating as specified in s. ILHR 51.04.

(2) **WHERE REQUIRED.** Smoke barriers are required to:

(a) Divide every story used by residents for sleeping, and any other story having an occupant load of 50 or more persons, into at least 2 compartments;

(b) Limit the housing of a maximum of 175 residents in any smoke compartment; and

(c) Limit on any story the length and width of each smoke compartment to no more than 150 feet.

(3) **AREA.** At least 6 square feet of accessible area per occupant shall be provided on each side of the smoke barrier for the total number of occupants in adjoining compartments.

(4) **DOORS.** (a) Openings in smoke barriers shall be protected by doors at least 36 inches wide, and such doors shall swing in the direction of egress. Where egress may be in either direction, a pair of swinging doors shall be provided where each door swings in a direction opposite from the other, except doors in a means of egress may be of the horizontal sliding type providing the force to slide the door to its fully open position does not exceed 37 lbs.

(b) Doors in smoke barriers shall have at least a 20 minute fire-resistive rating, except that doors may be held open as specified in s. ILHR 58.60.

(c) Louvers and grills in smoke barrier doors are prohibited. Doors may be undercut to a maximum of 3/4 inches.

(d) A vision panel, complying with s. ILHR 51.048 for wired glass and not exceeding 1,296 square inches and set in steel frames, shall be provided in each door in a smoke barrier.

(e) Rabbits, bevets, or astragals are required at the meeting edges of doors, and stops are required on the head and sides of door frames.

(5) **DAMPERS.** An approved damper designed to resist the passage of smoke shall be provided at each point a duct penetrates a smoke barrier. The damper shall close upon detection of smoke by an approved smoke detector, located within the duct except that:

(a) The approved damper, if located above a smoke barrier door, may be arranged to close upon detection of smoke by the local device designed to detect smoke on either side of the smoke barrier door opening; or

(b) Buildings designed with an engineered smoke control system as specified in NFPA 90A, Standard for the Installation of Air Conditioning and Ventilating Systems, need not comply with this requirement.

History: Cr. Register, December, 1981, No. 312, eff. 1-1-82; am. (4) (b), Register, December, 1983, No. 336, eff. 1-1-84.

Part 5 - Sanitary Facilities

ILHR 58.68 Sanitary facilities. (1) **TOILET ROOMS.** Every building included under the scope of this subchapter shall be provided with separate toilet rooms for each sex, and shall comply with the requirements specified in this section and ss. ILHR 52.52 to 52.62.

(a) **Exceptions.** 1. Enclosure of fixtures as specified in s. ILHR 52.59 shall be required only for fixtures used by the staff or visitors, or both.

2. Water closet seats as specified in s. ILHR 52.60 (1) are not required on water closets used by residents in maximum security detention and correctional facilities.

(2) **SANITARY FIXTURES.** (a) *Residents.* The number of sanitary fixtures required for each sex shall be determined in accordance with the ratios as specified in Table 58.68.

Register, January, 1994, No. 457

ILHR 58.68

(b) *Employees.* The number of sanitary fixtures for employees shall be provided in accordance with the requirements as specified in Table 54.12-B and s. ILHR 52.04 (4) and (8).

(c) *General public.* The number of sanitary fixtures for the general public shall be provided in accordance with the requirements as specified in Table 54.12-A and s. ILHR 52.04 (4) and (8).

TABLE 58.68

**NUMBER OF SANITARY FIXTURES REQUIRED
FOR RESIDENTS OF DETENTION AND
CORRECTIONAL FACILITIES^{1,2}**

Water Closets (WC)		Type of Fixture		Lavatories (L)	Bathtubs or Showers ³
Males (M)	Females (F)	Urinals (U)	Males (M)		
One (WC) for each 8 (M) or fraction	One (WC) for each 8 (F) or fraction	Urinals may be substituted for up to 2/3 of the required number of (WC) for (M)	One (L) for each 8 persons or fraction	One for each 10 persons or fraction	

¹ For structures with additions or alterations, the required number of sanitary fixtures shall be the sum of the fixtures required for the existing portion at the time it was constructed plus the fixtures required by this table for the new addition or altered area. At such time as the summation of the addition and alteration area is equal to or greater than 51% of the building area calculated as specified in s. ILHR 50.30 (4) (d), fixtures shall be provided in conformance to this table utilizing the capacity of the entire building.

² Where a single toilet room designated as UNISEX is provided, it shall be considered as accommodating no more than 10 employees and 25 occupants.

³ In places of detention, the number of shower heads as specified in this table may be reduced provided a written statement is submitted to the department from the sheriff or jail administrator confirming that the shower facilities will be operated under scheduled shower times. In this case, the number of shower heads may be based on the number of occupants using the shower facilities at one scheduled time period. A minimum of 2 shower heads shall be provided.

History: Cr. Register, December, 1981, No. 312, eff. 1-1-82; r. and recr., Register, August, 1993, No. 452, eff. 3-1-94.

Part 6 - Guard Towers

ILHR 58.69 Guard towers and observation stations. (1) CLASS OF CONSTRUCTION. (a) Except as provided in par. (b), guard towers shall be of type 1, 2 or 3 construction as specified in s. ILHR 51.03.

(b) Guard towers classified as Type 3 construction may have a non-combustible roof assembly with no fire-resistive rating. A Class A roof covering is acceptable.

(2) MEANS OF EGRESS. At least one exit stairway shall be provided from a guard tower or observation station and shall be a minimum of 28 inches in width. Spiral stairways are permitted to serve guard towers and observation stations not greater than 150 net square feet. Spiral stairways shall comply with s. ILHR 51.16 (7).

(3) INTERIOR FINISH. The interior finish of guard towers and observation stations shall be of Class A or B as defined in s. ILHR 51.01 (75a).

(4) HIGH HAZARD MATERIAL. Storage of high hazard material is prohibited in the guard tower, observation station, or immediate vicinity, except for weapons, ammuni-

tion, and control chemicals in quantities required for use by the staff occupying the tower or observation station.

(5) PROTECTION OF VERTICAL OPENINGS. Every stairway, elevator shaft, dumbwaiter shaft, or other similar vertical openings shall be enclosed with at least 2-hour fire-resistive construction as specified in s. ILHR 51.043, except guard towers and observation stations where there is no occupancy below the top floor level, stairs may be unenclosed.

(6) SANITARY FACILITIES. (a) Toilet facilities are not required in guard towers or observation stations provided toilet facilities are available in adjacent buildings to accommodate the number of occupants in the guard towers or observation stations.

(b) Toilet fixtures which are provided in single employe guard towers need not be enclosed as specified in ss. ILHR 52.50 and 52.59.

(7) DOOR LOCKS. Doors to guard towers may be locked in accordance with s. ILHR 58.59.

History: Cr. Register, December, 1981, No. 312, eff. 1-1-82; am. (2), Register, December, 1983, No. 336, eff. 1-1-84; am. (1), Register, August, 1985, No. 356, eff. 1-1-86; am. (6) (intro.), cr. (6) (b), Register, August, 1993, No. 452, eff. 3-1-94.

Chapter ILHR 59

HAZARDOUS OCCUPANCIES

ILHR 59.001	Scope
ILHR 59.01	Definitions
ILHR 59.10	Scope
ILHR 59.11	Construction
ILHR 59.12	Height and area
ILHR 59.13	Types of exits
ILHR 59.14	Number and location of exits
ILHR 59.15	Required exit width
ILHR 59.16	Capacity of structures

ILHR 59.17	Enclosure of stairways and shafts
ILHR 59.18	Vehicular guardrails
ILHR 59.19	Illumination levels
ILHR 59.20	Sanitary facilities
ILHR 59.21	Isolation of hazards and separations
ILHR 59.22	Occupancy separations
ILHR 59.23	Fire protection systems
ILHR 59.24	Fire alarms

Note: Chapter Ind 59 was renumbered chapter ILHR 59 effective January 1, 1984.

ILHR 59.001 Scope. This chapter applies to all hazardous occupancies as indicated in the scope of each subchapter.

History: Cr. Register, December, 1981, No. 312, eff. 1-1-82.

ILHR 59.01 Definitions. (1) "Combustible liquid" means a liquid as defined in s. ILHR 10.01 (22).

(2) "Flammable liquid" means a liquid as defined in s. ILHR 10.01 (37).

(3) "Motor vehicle" means any self-propelled device fueled by a flammable or combustible liquid used to transport people or goods.

(4) "Open parking structure" means a structure as defined in s. ILHR 62.10.

(5) "Private garage" means a structure or a part of a structure, either attached to a one- or 2-family dwelling or unattached but serving the dwelling, housing one or more motor vehicles owned by the occupant of the dwelling and used only for personal or family service, not serving as a place of employment.

(6) "Repair garage" means a structure or any part of a structure in which one or more motor vehicles are primarily repaired or serviced.

(7) "Storage garage" means any structure or part of a structure in which one or more motor vehicles are stored or parked and which is not a repair garage, private garage or open parking structure.

History: Cr. Register, December, 1981, No. 312, eff. 1-1-82; corrections in (1) and (2) made under s. 13.93 (2m) (b) 7, Stats., Register, January, 1994, No. 457, eff. 2-1-94.

ILHR 59.10 Scope. (1) The requirements of this subchapter apply to storage garages and repair garages.

(2) This chapter does not apply to the following occupancies:

(a) Storage garages serving community-based residential facilities within the scope of ch. ILHR 61;

Note: See s. ILHR 61.10 (2).

(b) Areas of factories and plants used for the manufacture or assembly of motor vehicles or their components;

(c) Drive-in or drive-through facilities not used for the storage of motor vehicles including, but not limited to those of banks, restaurants, hospitals, car washes, film processing centers or other similar occupancies; and

(d) Attached storage garages 500 sq. ft. or less in area serving a residential occupancy as specified in ch. ILHR 57.

History: Cr. Register, December, 1981, No. 312, eff. 1-1-82; am. (1) and (2) (d), Register, March, 1991, No. 423, eff. 4-1-91; am. (2) (intro.), Register, January, 1994, No. 457, eff. 2-1-94.

ILHR 59.11 Construction. (1) FLOORS. (a) The floor areas accommodating motor vehicles shall be of earth, gravel or noncombustible, nonabsorbent materials.

(b) Service pits and other similar depressions in the floor of a storage or repair garage shall be ventilated in accordance with ch. ILHR 64.

(2) CLEARANCE REQUIREMENTS. Headroom clearances shall be maintained in accordance with s. ILHR 51.164.

(3) CANOPIES. Free standing canopies and their supports or other similar structures over fuel dispensing equipment, when located less than 10 feet from a property line, shall be constructed of noncombustible materials.

History: Cr. Register, December, 1981, No. 312, eff. 1-1-82; am. (1) (a), Register, October, 1982, No. 322, eff. 11-1-82.

ILHR 59.12 Height and area. (1) STORAGE GARAGES. Storage garages shall not exceed the number of stories and corresponding area limitations of Table 59.12-1 or 59.12-2.

(2) REPAIR GARAGES. Repair garages shall not exceed the number of stories and 75% of the corresponding area limitations of Table 59.12-1 or 59.12-2.

(3) ALLOWABLE INCREASE OF FLOOR AREAS. (a) Automatic fire sprinkler system protection. 1. Chapter ILHR 59 buildings not protected by automatic fire sprinkler systems may not exceed the height and area limitations specified in subs. (1) or (2) and Table 59.12-1.

2. a. Chapter ILHR 59 buildings protected by complete automatic fire sprinkler systems may not exceed the height and area limitations specified in subs. (1) or (2) and Table 59.12-2.

b. The area of one story aircraft hangars of type No. 1 to 6 construction may be unlimited provided the building is completely protected by an automatic fire sprinkler sys-

Register, January, 1994, No. 457

ILHR 59.12

tem and the building is provided with street access around its entire perimeter.

(b) *Fire divisions.* No storage or repair garage shall be limited in area where divided into sections which do not exceed the maximum areas tabulated in this section by fire division walls as specified in s. ILHR 51.02 (13). All openings in such walls shall be protected by swinging, sliding or overhead fire-resistive door assemblies as specified in s. ILHR 51.047. Doors protecting such openings may be held open if equipped with rate of rise heat or photoelec-

tric activated automatic closing devices. Doors used as required exits shall comply with the requirements of s. ILHR 51.15.

History: Cr. Register, December, 1981, No. 312, eff. 1-1-82; correction in (3) (a) made under s. 13.93 (2m) (b) 7, Stats., cr. (4), Register, August, 1985, No. 356, eff. 1-1-86; emerg. r. table 59.12 and cr. tables 59.12-1 and 59.12-2, am. (1) and (2), r. and recr. (3) (a), eff. 9-6-86; r. table 59.12 and cr. table 59.12-1 and 59.12-2, am. (1) and (2), r. and recr. (3) (a), Register, November, 1986, No. 371, eff. 12-1-86; r. (4), am. tables, Register, January, 1994, No. 457, eff. 2-1-94.

TABLE 59.12-1 — ALLOWABLE HEIGHT (STORIES) AND AREA (SQUARE FEET) FOR BUILDINGS WITHOUT COMPLETE AUTOMATIC FIRE SPRINKLER SYSTEM PROTECTION (MAXIMUM GROSS FLOOR AREA PER FLOOR)

NOTE #1: DO NOT USE FOR BUILDINGS EXCEEDING 60 FEET IN HEIGHT

NOTE #2: FOR STORAGE GARAGES ONLY. USE 75% OF VALUES FOR REPAIR GARAGES

CLASS OF CONSTRUCTION	BUILDING FRONTAGE STREET* EXPOSURE	NUMBER OF STORIES								
		1	2	3	4	5	6	7	8	Over 8
1. Fire-Resistive Type A	1	25,000	22,000	19,000	16,000	13,000	11,000	9,000	8,000	6,000
	2	30,500	27,000	24,000	20,500	17,500	15,000	13,000	12,000	10,000
	3	36,000	33,000	29,000	25,000	22,000	19,000	17,000	16,000	14,000
	4	41,500	39,000	34,000	29,500	26,500	23,000	21,000	20,000	18,000
2. Fire-Resistive Type B	1	23,000	20,000	17,000	14,000	11,000	9,000	7,000	6,000	
	2	28,500	25,000	22,000	18,500	15,500	13,000	11,000	10,000	N.P.
	3	34,000	31,000	27,000	23,000	20,000	17,000	15,000	14,000	
	4	39,500	37,000	32,000	27,500	24,500	21,000	19,000	18,000	
3. Metal Frame Protected	1	21,000	18,000	15,000	12,000					
	2	26,500	23,000	19,500	16,000	N.P.	N.P.	N.P.	N.P.	N.P.
	3	32,000	28,000	24,000	20,000					
	4	37,500	33,000	28,500	24,000					
4. Heavy Timber	1	17,000	14,000	11,000	9,000					
	2	22,000	19,000	16,000	13,500	N.P.	N.P.	N.P.	N.P.	N.P.
	3	27,000	24,000	21,000	18,000					
	4	32,000	29,000	26,000	22,500					
5A. Exterior Masonry Protected	1	15,500	13,500	9,500	8,000					
	2	20,000	17,000	14,000	12,500	N.P.	N.P.	N.P.	N.P.	N.P.
	3	24,500	21,500	18,500	15,500					
	4	29,000	26,000	23,000	19,500					
5B. Exterior Masonry Unprotected	1	14,000	11,500	9,000	7,000					
	2	18,000	15,000	12,500	10,000	N.P.	N.P.	N.P.	N.P.	N.P.
	3	22,000	19,000	16,000	13,000					
	4	26,000	23,000	19,500	16,000					
6. Metal Frame Unprotected	1	14,000	11,500	9,000						
	2	18,000	15,000	12,500	N.P.	N.P.	N.P.	N.P.	N.P.	N.P.
	3	22,000	19,000	16,000						
	4	26,000	23,000	19,500						
7. Wood Frame Protected	1	12,500								
	2	16,000	N.P.	N.P.	N.P.	N.P.	N.P.	N.P.	N.P.	N.P.
	3	19,000								
	4	22,000								
8. Wood Frame Unprotected	1	10,000								
	2	12,000	N.P.	N.P.	N.P.	N.P.	N.P.	N.P.	N.P.	N.P.
	3	14,000								
	4	16,000								

N.P. MEANS NOT PERMITTED

* A 4-HOUR FIRE DIVISION WALL MAY BE CONSIDERED AS A STREET FOR THE PURPOSE OF COMPUTING THE AREA LIMITATIONS FOR THIS TABLE PROVIDED THAT NO SUBDIVIDED PORTION OF THE BUILDING HAS MORE STREETS THAN THE ENTIRE BUILDING HAS.

TABLE 59.12-2 — ALLOWABLE HEIGHT (STORIES) AND AREA (SQUARE FEET) FOR BUILDINGS COMPLETELY PROTECTED BY AUTOMATIC FIRE SPRINKLER SYSTEM (MAXIMUM GROSS FLOOR AREA PER FLOOR)
NOTE #1: USE FOR ALL BUILDINGS
NOTE #2: FOR STORAGE GARAGES ONLY. USE 75% OF VALUES FOR REPAIR GARAGES

	BUILDING FRONTAGE STREET* EXPOSURE	NUMBER OF STORIES									
		1	2	3	4	5	6	7	8	9	Over 9
1. Fire-resistive Type A One street required for unlimited area. See s. ILHR 51.01 (124)	1										
	2										
	3										
	4										
2. Fire-resistive type B One street required for unlimited area. See s. ILHR 51.01 (124)	1		69,000	60,000	51,000	42,000	33,000	27,000	21,000	18,000	N.P.
	2	NO	85,500	75,000	66,000	55,500	46,500	39,000	33,000	30,000	
	3	LIMIT	102,000	93,000	81,000	69,000	60,000	51,000	45,000	42,000	
	4		118,500	111,000	96,000	82,500	73,500	63,000	57,000	54,000	
3. Metal frame protected	1	84,000	63,000	54,000	45,000	36,000	N.P.	N.P.	N.P.	N.P.	N.P.
	2	106,000	79,500	69,000	58,500	48,000					
	3	128,000	96,000	84,000	72,000	60,000					
	4	150,000	112,500	99,000	85,500	72,000					
4. Heavy Timber	1	68,000	51,000	42,000	33,000	27,000	N.P.	N.P.	N.P.	N.P.	N.P.
	2	88,000	66,000	57,000	48,000	40,500					
	3	108,000	81,000	72,000	63,000	54,000					
	4	128,000	96,000	87,000	78,000	67,500					
5A. Exterior Masonry Protected	1	62,000	46,500	40,500	28,500	24,000	N.P.	N.P.	N.P.	N.P.	N.P.
	2	80,000	60,000	51,000	42,000	37,500					
	3	98,000	73,500	64,500	55,500	46,500					
	4	116,000	87,000	78,000	69,000	58,500					
5B. Exterior Masonry Unprotected	1	56,000	42,000	34,500	27,000	N.P.	N.P.	N.P.	N.P.	N.P.	N.P.
	2	72,000	54,000	45,000	37,500						
	3	88,000	66,000	57,000	48,000						
	4	104,000	78,000	69,000	58,500						
6. Metal Frame Unprotected	1	56,000	42,000	34,500	27,000	N.P.	N.P.	N.P.	N.P.	N.P.	N.P.
	2	72,000	54,000	45,000	37,500						
	3	88,000	66,000	57,000	48,000						
	4	104,000	78,000	69,000	58,500						
7. Wood Frame Protected	1	50,000	37,500	N.P.	N.P.	N.P.	N.P.	N.P.	N.P.	N.P.	N.P.
	2	64,000	48,000								
	3	76,000	57,000								
	4	88,000	66,000								
8. Wood Frame Unprotected	1	40,000	30,000	N.P.	N.P.	N.P.	N.P.	N.P.	N.P.	N.P.	N.P.
	2	48,000	36,000								
	3	56,000	42,000								
	4	64,000	48,000								

N.P. MEANS NOT PERMITTED

*A 4-HOUR FIRE DIVISION WALL MAY BE CONSIDERED AS A STREET FOR THE PURPOSE OF COMPUTING THE AREA LIMITATIONS FOR THIS TABLE PROVIDED THAT NO SUBDIVIDED PORTION OF THE BUILDING HAS MORE STREETS THAN THE ENTIRE BUILDING HAS.

ILHR 59.13 Types of exits. (1) GENERAL. (a) Only the following types of exits shall be used to comply with the provisions of s. ILHR 59.14:

1. Standard exit as specified in s. ILHR 51.15, except as provided in sub. (2);
2. Stairways as specified in s. ILHR 51.16, except as provided in sub. (2);
3. Smokeproof stair tower as specified in s. ILHR 51.17;
4. Interior enclosed stairway as specified in s. ILHR 51.18;
5. Horizontal exit as specified in s. ILHR 51.19;
6. Fire escapes as specified in s. ILHR 51.20; and
7. Nonparking access ramps with a maximum slope of 1:8.

(b) At least half of the exits required under s. ILHR 59.14 shall be standard exits, stairways, smokeproof stair towers or interior enclosed stairways to grade.

(2) EXCEPTIONS. (a) A spiral stairway shall not serve as a required exit, but may be used as an employee convenience stairway if located in nonpublic areas.

(b) The width of required exit stairways serving unoccupied areas, such as storage areas, equipment mezzanines and similar areas not exceeding 750 sq. ft. may be reduced to 3 feet 0 inches.

(c) Doors in standard exits serving rooms, spaces or areas with an occupancy load of 25 persons or less are not required to swing in the direction of egress.

(d) A door not complying with s. ILHR 51.15 (2), may be used as a standard exit serving storage garages or storage areas not exceeding 3,000 square feet in area.

Note: Where accessibility and interior circulation for persons with functional limitations must be provided, the requirements of s. ILHR 52.04 (9) govern.

History: Cr. Register, December, 1981, No. 312, eff. 1-1-82; am. (2) (d), Register, August, 1985, No. 356, eff. 1-1-86.

ILHR 59.14 Number and location of exits. (1) GENERAL. (a) Every floor level and every room, space or area of a

ILHR 59.14

storage garage and a repair garage shall be provided with at least 2 exits.

(b) One exit is permitted in the following conditions:

1. Any room, space or area used for storage garage purposes with an occupancy load of 10 persons or less and which does not exceed 3,000 sq. ft. in net floor area;

2. Any room, space or area used for repair garage purposes and which does not exceed 750 sq. ft. in net floor area;

3. Any room, space or area used as other than a storage or repair garage with a capacity of 25 persons or less; and

4. A mezzanine floor level, provided the mezzanine is:

a. Three thousand square feet or less in net floor area;

b. Used only for storage purposes;

c. Open on at least one side to the floor below; and

d. Not more than 12 feet above the floor below.

(2) **EXIT DISTANCE.** Exits shall be provided and distributed as follows:

(a) *Storage garages.* 1. No area of a storage garage shall be more than 100 feet from an exit, unless the entire storage garage is protected by an automatic sprinkler system.

2. No area of a storage garage entirely protected by an automatic fire sprinkler system shall be more than 200 feet from an exit.

(b) *Repair garages.* 1. No area of a repair garage shall be more than 75 feet from an exit, unless the entire repair garage is protected by an automatic fire sprinkler system.

2. No area of a repair garage entirely protected by an automatic fire sprinkler system shall be more than 150 feet from an exit.

(c) *Measurement of exit distance.* The exit distances required by this section shall be measured along public passageways and aisles to:

Note: See Appendix A for further explanatory material.

1. Standard exits leading to grade as specified in s. ILHR 51.15;

2. Doors opening into smokeproof stair towers as specified in s. ILHR 51.17, interior enclosed stairways as specified in s. ILHR 51.18, or fire escapes as specified in s. ILHR 51.20; or

3. Horizontal exits as specified in s. ILHR 51.19.

(3) **LOCATION OF EXITS.** Except as provided in sub. (1) (b), exits in all storage garages and repair garages shall be located and distributed so that in the event an exit is blocked, another exit is available from every area of the storage garage or repair garage.

(4) **EXIT LIGHTS.** All required exits shall be identified by an approved exit light. Directional exit lights shall be provided to direct occupants to the exits. Exit lights and directional exit lights shall be as specified in s. ILHR 51.15 (5).

Register, January, 1994, No. 457

(5) **EXIT MAINTENANCE.** Exits shall be maintained in accordance with s. ILHR 52.21.

History: Cr. Register, December, 1981, No. 312, eff. 1-1-82; cr. (4), Register, December, 1983, No. 336, eff. 1-1-84; emerg. am. (2) (a) 2. and (b), eff. 9-6-86; am. (2) (a) 2. and (b), Register, November, 1986, No. 371, eff. 12-1-86; am. (1) (a) and (b) (intro.), 2. and 3., Register, January, 1994, No. 457, eff. 2-1-94.

ILHR 59.15 Required exit width. (1) GENERAL. Every floor level of a storage garage and repair garage shall be provided with at least the required aggregate width of exits as specified in ss. ILHR 51.15 (6) and 51.16 (3).

(2) **HORIZONTAL EXITS.** Horizontal exits may provide up to one-half of the required aggregate width of exits for a floor level.

History: Cr. Register, December, 1981, No. 312, eff. 1-1-82.

ILHR 59.16 Capacity of structures. In calculating the required aggregate width of exits under s. ILHR 59.15 and the required number of sanitary facilities under s. ILHR 59.20, the capacities of structures and floor levels shall be computed on the following basis:

(1) Storage garages and repair garages - 300 sq. ft. per person; and

(2) Other areas as dictated by the appropriate sections of chs. ILHR 54 to 62.

Note: See ss. ILHR 54.05, 55.06, 56.07 for additional requirements.

History: Cr. Register, December, 1981, No. 312, eff. 1-1-82.

ILHR 59.17 Enclosure of stairways and shafts. (1) TWO FLOOR LEVELS. (a) All stairways and vertical openings serving 2 floor levels shall be enclosed with smoke partitions, unless:

1. The stairway or opening serves an open storage mezzanine less than 3,000 square feet in area;

2. The opening is not a required means of egress and the opening is separated from any exit access corridor or exit stairway by at least smoke partitions as specified in par. (a); or

3. The two-connected floor levels:

a. Are each provided with 6 air changes of exhaust ventilation per hour;

b. Are provided with interconnected fire detectors in accordance with NFPA 72;

c. Do not have open flame equipment located in the lower level; and

d. Have only pneumatic power equipment available for use.

(b) Smoke partitions enclosing stairways or vertical openings shall be constructed of solid and rigid materials.

(c) Openings in smoke partitions shall be protected with doors equipped with automatic closing devices.

(2) **THREE OR MORE FLOOR LEVELS.** Stairways and shafts serving 3 or more floor levels shall be enclosed pursuant to

s. ILHR 51.18 with fire-resistive construction as specified in Table 51.03-A.

History: Cr. Register, December, 1981, No. 312, eff. 1-1-82; reprinted to correct error in (2), Register, February, 1982, No. 314; am. (2), Register, October, 1982, No. 322, eff. 11-1-82; r. and recr. (1), Register, March, 1991, No. 423, eff. 4-1-91; am. (1) (a) 3. a., Register, January, 1994, No. 457, eff. 2-1-94.

ILHR 59.18 Vehicular guardrails. Vehicular guardrails shall be provided at all floor openings and at all differences in floor level elevations as follows:

(1) **DRIVE LANES.** Vehicular guardrails shall be installed at the end of drive lanes and shall be designed for a minimum horizontal live load of 1000 pounds per linear foot acting at 18 inches above the floor level; and

(2) **PARKING STALLS.** Vehicular guardrails shall be installed at the end of parking stalls and shall be designed for a minimum horizontal live load of 500 pounds per linear foot acting at 18 inches above the floor level.

History: Cr. Register, December, 1981, No. 312, eff. 1-1-82.

ILHR 59.19 Illumination levels. (1) **EXITS.** All stairways and exits and the passageways leading to them shall be illuminated to facilitate egress. The intensity of illumination shall be not less than 10 footcandles at the floor or step level.

(2) **DRIVING AREAS.** The minimum illumination level for driving areas at a horizontal plane 30 inches above the floor shall be an intensity of at least 2 footcandles.

History: Cr. Register, December, 1981, No. 312, eff. 1-1-82.

ILHR 59.20 Sanitary facilities. (1) **GENERAL.** Sanitary facilities shall be provided as specified in ss. ILHR 54.12, 55.32 or 56.16, as appropriate for the use of the building.

(2) **UNATTENDED STORAGE GARAGES.** Sanitary facilities are not required to be provided in unattended storage garages.

History: Cr. Register, December, 1981, No. 312, eff. 1-1-82.

ILHR 59.21 Isolation of hazards and separations. All fuel-fired heating equipment, except direct vent sealed combustion chamber appliances, within a storage garage and a repair garage, including, but not limited to boilers, furnaces and water heaters, shall be isolated from the remainder of the storage garage or repair garage by at least 2-hour fire-resistive construction as specified in s. ILHR 51.04 or shall be installed as specified in sub. (3).

(1) **PROTECTION OF OPENINGS.** All openings in required enclosures shall be protected with self-closing fire-resistive door assemblies as specified in s. ILHR 51.047. The installation or use of hold-open devices for these doors shall be prohibited.

(2) **PROHIBITED OPENINGS.** (a) Except as provided in par. (b), openings shall be prohibited in any building component separating garage areas and fuel-fired heating equipment where the fuel-fired heating equipment is located below the elevation of the garage floor.

(b) Supply and return air grilles or registers in garage areas are permitted if the bottom of the grille or register opening is at least 18 inches above the garage floor.

(3) **SUSPENDING EQUIPMENT.** (a) Except as provided in par. (b), boilers up to 200,000 Btu input, water heaters up

to 200,000 Btu input, gas and liquid fuel-fired space heaters, suspended furnaces, vented and unvented unit heaters may be used without an enclosure where approved by the department. Where suspended furnaces, vented and unvented unit heaters, boilers and water heaters are used without an enclosure, all units shall be located at least 8 feet above the floor or, in aircraft hangars, 10 feet above the upper surface of the wing or engine enclosure of the aircraft. The blow-off pipe for suspended boilers and water heaters shall be extended down to within 6 inches of the floor.

(b) The rated enclosure for heating equipment in storage or repair garages may be omitted if the burner of the equipment is located at least 8 feet off the floor and the equipment is protected from physical damage.

Note: See s. ILHR 64.21 for additional requirements.

History: Cr. Register, December, 1981, No. 312, eff. 1-1-82; am. (intro.) and (2) (a), Register, December, 1983, No. 336, eff. 1-1-84; am. (intro) and cr. (3), Register, August, 1985, No. 356, eff. 1-1-86.

ILHR 59.22 Occupancy separations. A storage garage or repair garage shall be separated from any other occupancy in accordance with s. ILHR 51.08.

History: Cr. Register, December, 1981, No. 312, eff. 1-1-82; am. table, Register, October, 1982, No. 322, eff. 11-1-82; am. table, Register, December, 1983, No. 336, eff. 1-1-84; r. and recr., Register, March, 1991, No. 423, eff. 4-1-91.

ILHR 59.23 Fire protection systems. (1) **SPRINKLER SYSTEMS.** Automatic fire sprinkler systems shall be provided as outlined in ss. ILHR 52.01, 52.011, 52.012 and 52.013.

(2) **STANDPIPES.** (a) Fire department standpipes shall be provided as follows:

1. In all storage garages and repair garages 3 or more stories in height; and

2. In all storage garage and repair garage floor levels more than 500 sq. ft. in area, located below grade and not accessible to fire fighting vehicles.

(b) Required fire department standpipes with a fire department siamese connection greater than 50 feet to a street shall be interconnected to a standpipe system with such a connection 50 feet or less to a street.

(c) Required fire department standpipes shall be provided in each stair enclosure serving a storage or repair garage and shall be provided with approved 2 1/2 in. valve hose connections at each floor level with one connection in the stair tower and one immediately outside.

(d) Fire department standpipes shall conform to the requirements specified in s. ILHR 51.21 (3) (e) to (i).

(e) 1. The department will recognize alternative systems and designs in lieu of required fire department standpipes, if an equivalent degree of safety is provided in storage or repair garages 60 feet or less in height.

2. The department will accept storage garages or repair garages without fire department standpipes, if clearances are provided to allow fire fighting vehicles access through-out the storage or repair garages.

3. Fire department standpipes as specified in this subsection need not be provided in buildings 60 feet or less in

ILHR 59.23

height completely protected by an automatic fire sprinkler system.

4. Fire department standpipes shall be provided in buildings more than 60 feet in height in accordance with s. ILHR 51.21 (3).

(3) FIRE EXTINGUISHERS. Portable fire extinguishers shall be provided and maintained as specified in s. ILHR 51.22.

Note 1: See ch. ILHR 52, subch. II for requirements pertaining to automatic fire sprinkler systems.

Note 2: See Appendix A for further explanatory material.

History: Cr. Register, December, 1981, No. 312, eff. 1-1-82; r. (2), renum. (3) to be (2), Register, June, 1983, No. 330, eff. 7-1-83; emerg. cr.

(1) (e) 3. and 4., eff. 9-6-86; cr. (1) (e) 3. and 4., Register, November, 1986, No. 371, eff. 12-1-86; renum. and am. (1) to be (2), renum. (2) to be (3), cr. (1), Register, March, 1991, No. 423, eff. 4-1-91.

ILHR 59.24 Fire alarms. A fire alarm system complying with s. ILHR 51.24 shall be provided in every storage garage and repair garage where more than 10 persons are employed above the second story except storage garages and repair garages which are provided with a complete automatic sprinkler system.

History: Cr. Register, December, 1981, No. 312, eff. 1-1-82.

Chapter ILHR 60

CHILD DAY CARE FACILITIES

ILHR 60.001 Scope
 ILHR 60.01 Definition
 ILHR 60.10 Occupancy separations
 ILHR 60.105 Height of first floor above grade
 ILHR 60.11 Capacity of buildings
 ILHR 60.12 Doors
 ILHR 60.13 Windows and outside openings
 ILHR 60.15 Sanitary facilities
 ILHR 60.16 Electrical work
 ILHR 60.17 Illumination
 ILHR 60.18 Heating and ventilating

ILHR 60.19 Operating features
 ILHR 60.30 Class of construction
 ILHR 60.31 Exiting
 ILHR 60.32 Required exit width
 ILHR 60.33 Passageways
 ILHR 60.34 Stair and shaft enclosure
 ILHR 60.35 Fire protection systems
 ILHR 60.36 Fire alarm and smoke detection systems
 ILHR 60.37 Hazardous areas
 ILHR 60.38 Exit and emergency lighting

Note: Chapter Ind 60 was renumbered chapter ILHR 60, effective in January 1, 1984.

Note: See ch. HSS 45 relating to day care licensing.

ILHR 60.001 Scope. (1) (a) The requirements of this chapter shall apply to all buildings or parts of buildings which accommodate public or private day care centers for 9 or more children.

(b) The requirements of this chapter shall not apply to public school programs defined in s. 115.01 (1), Stats., or private school programs defined in s. 121.51 (3), Stats., or to short-time programs such as Boy Scouts, Girl Scouts, Sunday school and similar type programs.

Note: Refer to ch. HSS 45, rules of the department of health and social services for requirements pertaining to day care centers serving 4 to 8 children.

(2) Chapters ILHR 50 to 53 are applicable for general and structural design requirements. Chapters ILHR 63 and 64 are applicable to newly constructed day care centers and to alterations to mechanical systems.

(3) School age day care programs for children 5 years of age and older shall comply with the requirements of one of the following chapters:

(a) Ch. ILHR 56 - Schools and Other Places of Instruction; or

(b) Ch. ILHR 60 - Child Day Care Facilities.

History: Cr. Register, October, 1974, No. 226, eff. 11-1-74; am. (4), Register, December, 1983, No. 336, eff. 1-1-84; cr. (5), Register, August, 1985, No. 356, eff. 9-1-85; emerg. r. and recr. eff. 9-1-89; r. and recr. Register, February, 1990, No. 410, eff. 3-1-90.

ILHR 60.01 Definition. (1) "Day care center" means a facility required to be licensed under s. 48.65, Stats.

History: Cr. Register, October, 1974, No. 226, eff. 11-1-74; r. and recr. (1), Register, March, 1991, No. 423, eff. 4-1-91.

ILHR 60.10 Occupancy separations. A day care center shall be separated from any other occupancy in accordance with s. ILHR 51.08.

History: Cr. Register, October, 1974, No. 226, eff. 11-1-74; r. and recr., Register, December, 1981, No. 312, eff. 1-1-82; r. and recr., Register, March, 1991, No. 423, eff. 4-1-91.

ILHR 60.105 Height of first floor above grade. The elevation of the first floor and the sills of all required exit dis-

charges from the first floor shall be at or not more than 6 feet above an exit discharge grade for existing buildings to be licensed as child day care centers.

History: Cr. Register, December, 1983, No. 336, eff. 1-1-84.

ILHR 60.11 Capacity of buildings. The occupant load shall be the maximum number of children intended to occupy that floor, but not more than one child per 35 square feet of net floor area. Licensing limitations of the department of health and social services may supersede this requirement.

Note: The minimum staff-to-child ratio under ch. HSS 55 is:

MAXIMUM GROUP SIZE AND MINIMUM NUMBER OF CHILD CARE WORKERS IN GROUP DAY CARE CENTERS

Age of Children	Minimum Number of Child Care Workers to Children	Maximum Number of Children in a Group
Birth to 2 years	1:4	8
2 years to 2½ years	1:6	12
2½ years to 3 years	1:8	16
3 years to 4 years	1:10	20
4 years to 5 years	1:13	24
5 years to 6 years	1:17	32
6 years and over	1:18	32

History: Cr. Register, October, 1974, No. 226, eff. 11-1-74.

ILHR 60.12 Doors. (1) All exit doors, and all doors along the path of travel to an exit, shall meet the requirements of s. ILHR 51.15 with the following exceptions:

(a) The width of all required exit doors may be reduced to 2 feet 8 inches in existing buildings not accommodating more than 8 children;

(b) All such doors used by not more than 25 persons need not swing outward;

(c) All such doors in centers serving 20 or less children need not be provided with illuminated exit signs; and

(d) Sliding glazed patio-type doors may serve as the second exit. A means to prevent accumulation of snow and ice in the door track or freezing of the door shall be provided.

ILHR 60.12

(2) Every closet door latch shall be such that children can open the door from inside the closet.

(3) Every toilet room door lock shall be designed to permit opening of the locked door from the outside in an emergency, and the opening device shall be readily accessible to the staff.

History: Cr. Register, October, 1974, No. 226, eff. 11-1-74; cr. (1)(d), Register, December, 1977, No. 264, eff. 1-1-78; r. (1)(a), renum. (1)(b) to (d) to be (1)(a) to (c), Register, January, 1980, No. 289, eff. 2-1-80; am. (1) (c), Register, May, 1980, No. 293, eff. 6-1-80; cr. (1) (d), Register, December, 1981, No. 312, eff. 1-1-82.

ILHR 60.13 Windows and outside openings. (1) All areas used for sleeping purposes shall be provided with vision panels or windows facing directly upon a street, alley, or open court. The vision panels or windows shall be glazed with glass or other approved material.

(2) The windows or vision panels shall have a total glazed area of at least 8% of the floor area of the room served. The openable area of the windows shall be equal to at least 4% of the floor area of the room served.

(3) See s. ILHR 60.18 (2) for exception to the requirement for openable windows.

History: Cr. Register, October, 1974, No. 226, eff. 11-1-74; am. (2) and (3), Register, January, 1980, No. 289, eff. 2-1-80; r. and recr. (2), Register, December, 1981, No. 312, eff. 1-1-82; am. (2), Register, October, 1982, No. 322, eff. 11-1-82; am. (1), Register, December, 1983, No. 336, eff. 1-1-84.

ILHR 60.15 Sanitary facilities. (1) **TOILET ROOMS.** Toilet facilities consisting of at least one water closet shall be provided in all day care centers.

(2) **SANITARY FIXTURES.** (a) *Number required for children.* 1. One water closet shall be provided for the first 10 children over the age of 30 months. One water closet shall be provided for each additional 15 children, or fraction, over the age of 30 months.

2. Children under the age of 30 months need not be included when determining the number of required water closets; however, in all cases at least one water closet shall be provided in each day care center.

3. Lavatories shall be provided in the ratio of one lavatory for every 2 water closets and urinals, or fraction.

Note: Section ILHR 52.60 (2) (b) allows only stall type urinals in child day care facilities.

(b) *Number required for staff members.* 1. For day care centers with 10 or more staff members at one time, sanitary facilities, in accordance with Table 54.12-B, shall be provided in addition to those required for the children, as specified in par. (a).

2. Urinals may be substituted for up to 1/3 of the total required water closets for staff members.

(3) **PRIVACY.** Doors to the toilet rooms and water closet compartments may be omitted for toilet rooms used by children, provided that other toilet facilities equipped with toilet room doors and water closet compartment doors, are available for staff members and children 5 years of age and older.

(4) **SEX DESIGNATION.** Separate toilet rooms for each sex shall be provided and available for staff members in day Register, January, 1994, No. 457

care centers having 10 or more staff members at any one time.

Note 1: The term "staff member," as used in this section, is intended to include all employees, whether on pay status or on a volunteer status.

Note 2: The intent of sub. (3) is to allow toilet rooms used in common by both sexes in day care centers with less than 10 adults, and to omit the privacy requirements of toilet room doors and water closet compartment doors only for children who have not reached the age of sex awareness.

History: Cr. Register, October, 1974, No. 226, eff. 11-1-74; r. and recr. Register, December, 1976, No. 252, eff. 1-1-77; r. and recr., Register, December, 1977, No. 264, eff. 1-1-78; am. (1) (b) and (e), Register, August, 1985, No. 356, eff. 9-1-85; r. and recr., Register, August, 1993, No. 452, eff. 3-1-94.

ILHR 60.16 Electrical work. (1) The electrical systems in existing buildings proposed to be used as day care centers shall conform to the Wisconsin state electrical code, volume 2, ch. ILHR 16.

(2) Special protective receptacle covers shall be installed in all areas occupied by children.

History: Cr. Register, October, 1974, No. 226, eff. 11-1-74.

ILHR 60.17 Illumination. The illumination for occupied areas, other than sleeping areas, shall have a minimum intensity of 20 foot-candles at a horizontal plane 24 inches above the floor. All other spaces shall meet the requirements of s. Ind 19.04.

History: Cr. Register, October, 1974, No. 226, eff. 11-1-74.

ILHR 60.18 Heating and ventilating. (1) The heating system shall be capable of maintaining an inside temperature of not less than 67° F.

(2) Fresh air at the rate of 5 cubic feet per minute per occupant shall be provided for centers that do not comply with the openable window requirements of s. ILHR 60.13 (2).

History: Cr. Register, October, 1974, No. 226, eff. 11-1-74; am. (2), Register, January, 1980, No. 289, eff. 2-1-80.

ILHR 60.19 Operating features. (1) Fire prevention inspections shall be conducted monthly. A copy of the latest completed inspection form shall be posted in a conspicuous place in the day care facility.

(2) A fire evacuation plan shall be practiced not less than once per month. Fire alarm and/or smoke detection systems shall be tested at weekly intervals. It is recommended that fire safety be a part of the educational program of the center.

(3) Furnishings, decorations, or other objects shall not be so placed as to obstruct exits, access thereto, egress therefrom, or visibility thereof.

(4) Flammable and combustible liquids shall be stored in areas accessible only to designated individuals and as recommended in NFPA standard No. 30, Flammable and Combustible Liquids Code.

Note 1: NFPA standard No. 30 is not a mandatory standard.

Note 2: See Appendix A for further explanatory material.

(5) Guardrails protecting open sides of stairways, elevated platforms, walks, balconies and mezzanines shall have intermediate rails or an ornamental pattern designed

to prevent the passage of a sphere with a diameter larger than 6 inches.

History: Cr. Register, October, 1974, No. 226, eff. 11-1-74; cr. (5), Register, January, 1980, No. 289, eff. 2-1-80; r. and recr. (5), Register, January, 1994, No. 457, eff. 2-1-94.

ILHR 60.30 Class of construction. (1) Class of construction for day care centers shall comply with Table 60.30. Day care centers located in buildings of more than 4 stories shall be provided with one independent stairway serving the day care center only and restricted to the height indicated in Table 60.30.

TABLE 60.30

Type of Construction	Maximum Allowable Height (feet)	Maximum Allowable Number of Stories			
		1	2	3	4
Fire-resistive Type A No. 1 and Type B No. 2	85	X	X	X	X
Metal Frame Protected No. 3 and Heavy Timber No. 4	75	X	X	X	
Exterior Masonry No. 5	50	X	(c)	(a) & (b) or (a) & (d)	
Metal Frame Unprotected No. 6	50	X	(c)	(a)	
Wood Frame Protected No. 7	40	X	X		
Wood Frame Unprotected No. 8	35	X	(c)		

X = permitted.

(a) All floors and supporting members shall have a one-hour fire-resistive rating.

(b) The entire building shall be equipped with an automatic sprinkler system in accordance with s. ILHR 51.23.

(c) All ceilings shall be covered with 1/2-inch gypsum wallboard or equivalent.

(d) All floor systems shall be of noncombustible construction.

History: Cr. Register, October, 1974, No. 226, eff. 11-1-74.

ILHR 60.31 Exiting. (1) Each floor shall have not less than 2 exits. All required exits shall lead directly, or through an enclosed stairway, to the outside.

(2) The exits shall be located to provide the best possible means of egress.

(3) Travel distance measured along safe passageways between:

(a) Any point in a sleeping room or suite and an exit access door of that room or suite shall not exceed 50 feet;

(b) Any room door intended as an exit access and an exit shall not exceed 50 feet; and

(c) Any point in a room or suite and an exit shall not exceed 100 feet.

(4) The travel distances in sub. (3) shall be reduced by 50% for children under the age of 24 months.

(5) The travel distances in sub. (3) may be increased by 50 feet in buildings completely protected with an automatic fire sprinkler system. No increase in travel distance is permitted for children under the age of 24 months.

(6) Children under the age of 24 months shall be restricted to the first floor, as determined in s. ILHR 51.02 (14), or to ground floors as defined in s. ILHR 51.01 (67).

History: Cr. Register, October, 1974, No. 226, eff. 11-1-74; am. (4), (5) and (6) Register, December, 1977, No. 264, eff. 1-1-78; am. (6), Register, December, 1983, No. 336, eff. 1-1-84; am. (4) and (5), Register, August, 1985, No. 356, eff. 9-1-85.

ILHR 60.32 Required exit width. (1) The total required exit width from a building level shall be in accordance with the requirements of ss. ILHR 51.15 (6) and 51.16 (3).

(2) If horizontal exits (s. ILHR 51.19) are provided for any floor, the number of persons accommodated on such floor may be increased at the rate of 100 persons for each 40 inches of width of such exits, provided such increase shall not exceed 100% of the number of persons accommodated by the stairways.

History: Cr. Register, October, 1974, No. 226, eff. 11-1-74; r. and recr. Register, December, 1974, No. 228, eff. 1-1-75.

ILHR 60.33 Passageways. (1) The minimum unobstructed width of corridors and passageways shall be determined in the same manner as specified for stairways and exits in s. ILHR 60.32. The minimum width shall be not less than 3 feet 8 inches.

(2) The minimum passageway width shall not be less than 3 feet in existing buildings proposed to be used as day care centers, provided the capacity of the day care center does not exceed 40 persons.

History: Cr. Register, October, 1974, No. 226, eff. 11-1-74.

ILHR 60.34 Stair and shaft enclosure. (1) GENERAL. Except as provided in sub. (2), all stairs and vertical shafts serving 2 or more floor levels shall comply with the requirements of s. ILHR 51.02 (11) and Table 51.03-A. All required stair enclosures shall lead to the outside without interruption.

(2) EXCEPTIONS. (a) Exit stairways serving day care centers located in one story places of worship need not be enclosed.

(b) Exit stairways serving day care centers located in one and two story schools constructed prior to January 1, 1982 need not be enclosed.

(c) Unenclosed stairways, connecting the floor of exit discharge with one adjacent floor level, may be used as required exits for day care centers accommodating 9 to 39 children, provided the stairways are enclosed at all other levels with fire-resistive rated construction equal to or better than the hourly rating specified in Table 51.03-A.

History: Cr. Register, October, 1974, No. 226, eff. 11-1-74; am. (1), Register, October, 1982, No. 322, eff. 11-1-82; r. and recr. Register, August, 1985, No. 356, eff. 9-1-85.

ILHR 60.35 Fire protection systems. (1) SPRINKLER SYSTEMS. Automatic fire sprinkler systems shall be provided as outlined in s. ILHR 52.012.

(2) FIRE EXTINGUISHERS. Portable fire extinguishers suitable for Class B fires shall be provided in kitchens or cooking areas in accordance with s. ILHR 51.22.

ILHR 60.35

TABLE 60.35

Basic Minimum Extinguisher Rating for Area Specified	Maximum Travel Distance to Extinguisher (feet)	Area to be Protected per Extinguisher (square feet)
2A	75	6,000
3A	75	9,000
4A	75	11,250
6A	75	11,250

Note: See Appendix A for further explanatory material.

History: Cr. Register, October, 1974, No. 226, eff. 11-1-74; r. and recr., Register, March, 1991, No. 423, eff. 4-1-91; am. (2), Register, January, 1994, No. 457, eff. 2-1-94.

ILHR 60.36 Fire alarm and smoke detection systems. (1) 9-20 CHILDREN. (a) Except as specified in par. (b), in every building or portion of a building accommodating a day care center serving 9 to 20 children, stand-alone, battery-operated smoke detectors shall be installed in front of doors to the stairways and in the corridors of all floors occupied by the day care center. Smoke detectors shall also be installed in lounges, recreation areas and sleeping rooms in the day care center. The smoke detector alarm shall be audible throughout the day care center.

(b) Smoke detectors are not required in:

1. Day care centers housed only in one room; or
2. Day care centers serving children 6 years of age or older if no sleeping facilities are provided.

(2) OVER 20 CHILDREN. In every building or portion of a building accommodating a day care center serving more than 20 children, a fire alarm system shall be installed which complies with s. ILHR 51.24, or an approved smoke detection system shall be installed which complies with s. ILHR 51.245.

History: Cr. Register, October, 1974, No. 226, eff. 11-1-74; am., Register, December, 1981, No. 312, eff. 1-1-82; r. and recr. Register, January, 1994, No. 457, eff. 2-1-94.

ILHR 60.37 Hazardous areas. (1) GENERAL. Except as provided in sub. (2), hazardous areas, including boiler or furnace rooms, fuel storage, maintenance shops, wood-working shops, painting areas, and laundries having gas-

or oil-fired units with a maximum aggregate input of 37,000 Btu or more, shall be separated from other parts of the building by construction having not less than a one-hour fire-resistive rating. All openings shall be protected by 3/4-hour self-closing doors in buildings of 3 stories or less in height. Enclosures shall have a 2-hour fire-resistive rating with 1 1/2-hour "B" label doors in buildings more than 3 stories in height.

(2) EXCEPTION. As outlined in Table 64.21 direct vent sealed combustion chamber appliances may be used without a fire-resistive enclosure.

(3) COMBUSTIBLE AND FLAMMABLE LIQUIDS. Combustible and flammable liquids shall be isolated in accordance with ch. ILHR 10.

History: Cr. Register, October, 1974, No. 226, eff. 11-1-74; 60.37 renum. and am. to 60.37 (1), cr. (2) and (3), Register, March, 1991, No. 423, eff. 4-1-91.

ILHR 60.38 Exit and emergency lighting. (1) EXIT SIGNS. (a) *Where required.* All required exit doors and exit stairways in day care centers serving 20 or more children shall be clearly marked with an illuminated exit sign as specified in s. ILHR 51.15 (5).

(b) *Standby Emergency Power.* Standby emergency power of a type recognized by ch. ILHR 16 shall be supplied to all illuminated exit signs.

(2) STANDBY EMERGENCY POWER FOR OTHER LIGHTING. Standby emergency power of a type recognized by ch. ILHR 16 shall be provided as a source of electrical power for required exit lights or emergency lighting for exit passageways in:

(a) Day care centers where there are 20 or more children receiving nighttime care between the hours of 6 p.m. to 6 a.m.; and

(b) Day care center multipurpose rooms with 2,000 square feet or more of floor area.

History: Cr. Register, October, 1974, No. 226, eff. 11-1-74; am. (1); Register, May, 1980, No. 293, eff. 6-1-80; am. (1), Register, December, 1983, No. 336, eff. 1-1-84; r. and recr. (2), Register, March, 1991, No. 423, eff. 4-1-91; r. and recr. Register, January, 1994, No. 457, eff. 2-1-94.

Chapter ILHR 61

**COMMUNITY-BASED RESIDENTIAL FACILITIES (CBRF)
AND SHELTERED FACILITIES FOR BATTERED WOMEN**

ILHR 61.001	Scope
ILHR 61.01	Definitions
ILHR 61.10	Building construction and site
ILHR 61.11	Minimum class of construction
ILHR 61.12	Exiting and doors
ILHR 61.13	Sizes of rooms
ILHR 61.14	Smoke detection
ILHR 61.15	Windows
ILHR 61.16	Privacy
ILHR 61.17	Sanitary facilities

ILHR 61.18	Requirements for barrier-free environment
ILHR 61.19	Kitchen and cooking areas
ILHR 61.20	Fire extinguishers
ILHR 61.21	Maintenance and cleanliness
ILHR 61.215	Combustible and flammable liquids
ILHR 61.22	Building service equipment
ILHR 61.23	Potable water and plumbing
ILHR 61.24	Heating and ventilating
ILHR 61.25	Electrical
ILHR 61.26	Retroactivity

Note: Chapter Ind 61 was renumbered chapter ILHR 61 effective January 1, 1984.

ILHR 61.001 Scope. (1) CBRF SERVING 9-20. (a) The requirements of this chapter shall apply to all community-based residential facilities, herein afterwards referred to as CBRF, providing care, treatment and services to 9 through 20 unrelated adults, to be located in existing buildings.

Note: Refer to Ch. HSS 82, rules of the department of health and social services for requirements pertaining to CBRF to be located in existing buildings providing care, treatment and services to 3 through 8 unrelated adults. Refer to ch. ILHR 57 for CBRF requirements for buildings containing more than 20 unrelated adults.

(b) Except for s. ILHR 51.01, the requirements of chs. ILHR 51 to 53 and 64 do not apply to existing conditions unless specifically referred to in this chapter. Additions, alterations and remodelings shall conform to the current applicable portions of these chapters.

(2) NEWLY CONSTRUCTED CBRF. (a) All newly constructed CBRF providing care, treatment and services for 3 to 8 unrelated adults shall be within the scope of chs. ILHR 20-25.

(b) All newly constructed CBRF providing care, treatment and services for 9 or more unrelated adults shall be within the scope of ch. ILHR 57.

Note 1: This code is not intended to limit the power of cities, villages and towns to make, or enforce, additional or more stringent regulations, provided the regulations do not conflict with this code, or with any other rule of the department or law.

Note 2: CBRF intending to utilize federal funds may have to comply with other requirements in addition to those outlined herein, such as NFPA 101 — Life Safety Code, ANSI standards for barrier-free design, and miscellaneous federal regulations.

(3) SHELTERED FACILITIES FOR BATTERED WOMEN. (a) The requirements of this chapter shall apply to all sheltered facilities for battered women, as specified in s. 46.95, Stats., serving 20 or less occupants.

(b) Except for s. ILHR 51.01, the requirements of chs. ILHR 51 to 53 and 64 do not apply to existing conditions unless specifically referred to in this chapter. Additions, alterations and remodelings shall conform to the current applicable portions of these chapters.

(4) SHELTERS FOR THE HOMELESS. The requirements of this chapter shall apply to shelter facilities serving 20 or less occupants.

Note: Refer to ch. ILHR 57 for sheltered facilities serving more than 20 occupants.

History: Cr. Register, May, 1978, No. 269, eff. 7-1-78; am. Register, October, 1982, No. 322, eff. 11-1-82; correction in (2) (a) made under s. 13.93 (2m) (b) 7, Stats., Register, August, 1985, No. 366; cr. (4), Register, March, 1991, No. 423, eff. 4-1-91.

ILHR 61.01 Definitions. (1) AMBULATORY. Ambulatory means able to walk without assistance or difficulty.

(2) CAPACITY. The capacity for CBRF is that maximum number of residents as allowed by rules of the department of health and social services.

(3) CLASSES OF CBRF. (a) Class A. Class A CBRF serve residents all of whom are ambulatory, capable of following directions and taking independent action for self-preservation under emergency conditions.

(b) Class B. Class B CBRF serve residents one or more of whom are semiambulatory or nonambulatory, but all of whom are mentally and physically capable of taking independent action for self-preservation under emergency conditions.

(c) Class C. Class C CBRF serve residents one or more of whom are not physically or mentally capable of taking independent action for self-preservation under emergency conditions.

(6) ELECTRICAL SERVICE. Electrical service means the conductors and equipment for delivering electrical energy from the supply system to and including the wiring system of the CBRF.

(7) EXISTING BUILDING. An existing building, for the purposes of this code (ch. ILHR 61), is one which was constructed and occupied, or ready for occupancy, at least 24 months prior to the date of first application for licensure as a CBRF. Existing buildings which do not satisfy these requirements shall be considered new construction as specified in s. ILHR 61.001 (2).

(7a) EXISTING BUILDING, CURRENTLY LICENSED. A facility licensed or certified within 24 months prior to the effective date of this code.

ILHR 61.01

tive date of these rules (ch. ILHR 61) is considered an existing building for the purposes of this code (ch. ILHR 61).

(8) **FLOORS AND STORIES.** (a) *Attic floor.* Attic floor containing habitable rooms and that are occupied shall be counted as a story.

(b) *Basement floor.* A basement is a floor level partially or totally below grade and not having any required exit for any floor level above it.

(c) *First floor.* The first floor is the lowest floor having one or more required exits for that floor and for any floor above or below it.

(9) **HABITABLE FLOOR SPACE.** Habitable floor space is the area of habitable rooms with a ceiling height more than 5 feet 6 inches, used for the purposes of sleeping, living, cooking or dining.

(10) **HABITABLE ROOM.** A habitable room is any room used for the purposes of sleeping, living, cooking or dining, excluding such places as closets, bath or toilet rooms, pantries, stairways, corridors, service rooms, laundries, utility rooms, cellars or basements unless finished for occupancy, storage spaces, foyers, unfinished attics, administrative offices, garages and similar spaces.

(11) **NONAMBULATORY.** Nonambulatory means not able to walk at all.

(12) **OUTSIDE WINDOWS.** Outside windows are windows which open directly to the out-of-doors or to unheated enclosed spaces, such as exterior balconies or sun porches.

(13) **PRIMARY FUNCTION.** Primary function is the basic or essential care, treatment or service provided to residents of the facility.

(14) **SEMIAMBULATORY.** Semiambulatory means able to walk with difficulty or able to walk only with assistance of aids, such as crutches, canes or walkers.

History: Cr. Register, May, 1978, No. 269, eff. 7-1-78; r. (4) and (5), Register, March, 1991, No. 423, eff. 4-1-91.

ILHR 61.10 Building construction and site. (1) **CONDITION OF BUILDING AND SITE.** All buildings utilized as CBRF shall be structurally sound without visible evidence of structural failure or deterioration.

(a) All courts, yards, or other areas on the premises shall be properly drained or graded to divert water away from the building.

(b) Fences, other minor construction, driveways, parking areas and similar paved areas shall be properly maintained in a safe condition.

(c) Walks shall provide convenient all-weather access to buildings and shall be properly maintained in a safe condition.

(d) Exterior surfaces of buildings and structures not inherently resistant to deterioration shall be treated with a protective coating of paint or other suitable preservative which will provide adequate resistance to weathering. Any exterior surface treated with paint or other preservative shall be maintained so as to prevent chipping, cracking or other deterioration of the exterior surface or the surface

treatment. All paint or other preservative shall be applied in a workmanlike fashion. Lead-based paint shall not be used.

(e) Every interior floor, wall and ceiling shall be kept in proper repair. Interior walls and ceiling in spaces subjected to moisture shall be provided with water-resistant, hard surfaces and shall have no serious surface irregularities or cracking.

Note: The use of "indoor-outdoor" carpeting, or other such carpeting approved for application on floors subjected to moisture, is acceptable.

(f) Every foundation wall, exterior wall, floor and roof shall be watertight, rodent-proof and reasonably weathertight, and shall be kept in proper repair.

(g) Every exterior window, exterior door and exterior basement hatchway shall be watertight, rodent-proof and reasonably weathertight and kept in proper repair. Every interior door shall be kept in proper repair. All installed door and window hardware shall be maintained in proper working condition.

(h) Every inside and outside stair, every porch and every appurtenance to the building shall be so maintained as to be safe in use.

(i) Abrasive strips or nonskid surfaces to reduce or prevent slipping shall be used when slippery surfaces present a hazard.

(2) **GARAGES AND ACCESSORY BUILDINGS.** Garages and accessory buildings located on the same property with a CBRF shall comply with the following:

(a) A CBRF shall be separated from an attached storage garage or repair garage in accordance with s. ILHR 51.08.

(b) *Detached garages.* 1. Detached garages shall be located a minimum of 3 feet 0 inches from the CBRF.

2. Detached garages less than 3 feet 0 inches from the CBRF shall comply with the requirements for attached garages as found in sub. (2) (a).

(c) *Detached accessory buildings.* 1. Detached accessory buildings in which fueled, motorized vehicles and appliances (snowmobiles, power lawn mowers, motorcycles, snow blowers and similar equipment) are stored shall be located a minimum of 3 feet 0 inches from the CBRF.

2. Detached accessory buildings in which fueled, motorized vehicles and appliances are stored, less than 3 feet 0 inches from the CBRF, shall comply with the requirements for attached garages as found in sub. (2) (a).

(3) **SMOKE SEPARATION.** (a) A door shall be provided at any interior stair between the basement and the first floor. This door shall be provided with a latch and an automatic closing device and normally be kept closed.

(b) Any shaft (clothes chute, dumbwaiter, laundry chute and similar shafts) leading to the basement shall be provided with a door on each level above the lowest floor. The door shall be provided with a latch and an automatic closing device and shall normally be kept closed.

Note: A spring of sufficient strength to close the door and activate the door latch will be acceptable for meeting the automatic closing device portion of these requirements.

History: Cr. Register, May, 1978, No. 269, eff. 7-1-78; r. and recr. (2) (a), Register, March, 1991, No. 423, eff. 4-1-91; am. (1) (f), Register, December, 1993, No. 456, eff. 1-1-94.

ILHR 61.11 Minimum class of construction. Class of construction for CBRF shall comply with Table 61-I.

TABLE 61-I

MINIMUM CLASS OF CONSTRUCTION (s. ILHR 51.03)

Number of Stories	Minimum Type of Construction for Class of CBRF		
	Class A	Class B	Class C
1	8	8	3(c),(d)
2	8	8(b),(c)	2(e)
3	5(a)	2(d)	2
4	5	2	2
5 to 8	2	2	2
Over 8	1	1	1

(a) Type 8 construction will be permitted if the basement is protected by a complete automatic sprinkler system or if all ceilings, including basements, are completely protected with 1/2-inch gypsum wallboard, or equivalent, and all stairway exits are interior stairs, one of which is completely enclosed, with at least one-hour rated construction, to a first-story outside exit.

Type 8 construction will be permitted if building is protected by a complete automatic sprinkler system or if only ambulatory residents are permitted above the first story and in the basement.

Types 5 and 6 construction will be permitted if of totally noncombustible construction.

Type 8 construction will be permitted if building is protected by a complete automatic sprinkler system and provided only ambulatory residents are permitted above the first story and in the basement.

Types 3, 5 and 6 construction will be permitted if of totally noncombustible construction and the building is protected by a complete automatic sprinkler system.

Note: The following brief descriptions of construction types are included as guidelines only. Designers and builders should refer to s. ILHR 51.03 and Table 51.03-A for detailed descriptions and requirements for the various construction types.

Type 8 — Wood framed walls, floors, roofs and partitions, including wood framed exterior walls faced with masonry veneers (typical residential construction).

Type 6 — Metal framed walls and roofs with steel structural framing; sheet metal covered exterior walls and roof (typical pre-engineered metal building).

Type 5 — Exterior walls entirely of masonry (concrete block, brick, concrete, etc.); floor and roof systems of wood, steel or concrete; interior partitions are wood framed. (Buildings with wood floor and roof systems or with wood framed partitions are not considered noncombustible.)

Type 3 — Totally noncombustible building with floors, roof and structural framing protected with hourly rated fireproofing material.

Types 2 and 1 — The same as Type 3 but with higher degrees for fireproofing.

History: Cr. Register, May, 1978, No. 269, eff. 7-1-78.

ILHR 61.12 Exiting and doors. (1) NUMBER, TYPE AND ACCESS TO EXITS. (a) All CBRF, and each floor level having habitable rooms, shall have at least 2 means of exit which provide unobstructed travel to the outside at street or grade level.

1. *Exception.* A single exit will be permitted from basements or attics utilized for recreational, nonsleeping purposes only.

2. A wooden balcony or a flat roof, within 10 feet of grade, or an exterior wood stair may serve as one of the required exits from the second floor of a 2-story CBRF, except Class B and C CBRF with nonambulatory residents on the second floor.

(b) Exits shall be standard exits to grade (doors), stairways as specified in sub. (3), or fire escapes. (See exception under sub. (1) (a) 1.)

(c) No exit passageway shall be through a private room or bath/toilet room.

(d) Exit passageways and stairways to the outside exits shall be at least 3 feet wide, except existing secondary exit passageways, stairways and doors may be reduced to 2 feet 4 inches in width.

(e) The required width shall be maintained clear and unobstructed at all times.

(2) DOORS. (a) Outside exit doors and doors in exit access corridors shall be at least 2 feet 8 inches in width, except as provided in sub. (1) (d) for existing secondary exit doors.

(b) All doors shall have such fastenings or hardware that they can be opened from the inside with one hand without the use of a key.

(c) Closet doors shall be openable from the inside.

(d) All interior doors equipped with locks shall be designed to permit opening of the locked doors from either side in case of emergency.

(3) STAIRS: GENERAL. (a) *Treads and risers.* All required interior and exterior exit stairways shall have a minimum tread width (exclusive of nosing or projection) of 9 inches and a maximum riser height of 8 inches.

1. *Exception.* Stairs serving basements and attics without habitable rooms may have a minimum tread width (exclusive of nosing or projection) of 8 inches and a maximum riser height of 9 inches.

(b) *Handrails.* One or more handrails, at least 29 inches above the nose of the tread, shall be provided on all stairways. Handrails shall be provided on the open sides of stairways and platforms.

(c) *Winder stairs.* 1. Winders in stairways shall be provided with handrails on both sides, at least 29 inches above the nose of the tread.

2. Winders in stairways used as required exits shall have treads of at least 7 inches in width at a point one foot from the narrow end of the tread.

(d) *Spiral stairs.* Spiral stairs shall be prohibited for use as required exit stairs.

(4) STAIRS: ENCLOSURE. (a) Three-story CBRF shall have at least one stairway exit, enclosed with at least one-hour rated construction, leading to a first-story outside exit.

(b) CBRF, 4 or more stories in height, shall have all stairways enclosed with at least one-hour rated construction. All required exit stairways shall have such enclosures leading to a first-story outside exit.

ILHR 61.12

Note: Buildings of Type 1 and 2 construction require 2-hour rated stair enclosures in accordance with s. ILHR 51.03 (1) and (2).

(5) **ILLUMINATION.** All exit passageways and stairways shall be capable of being illuminated at all times.

History: Cr. Register, May, 1978, No. 269, eff. 7-1-78.

ILHR 61.13 Sizes of rooms. (1) HABITABLE FLOOR SPACE.

(a) Each sleeping room for ambulatory residents shall contain not less than 60 square feet of habitable floor space; and each sleeping room for semiambulatory or nonambulatory residents shall contain not less than 90 square feet of habitable floor space.

(b) In addition to the area required in sub. (1) (a), the CBRF shall provide habitable floor space, other than sleeping rooms, of not less than 60 square feet of area for each ambulatory resident and of not less than 90 square feet in area for each semiambulatory or nonambulatory resident.

(c) All habitable rooms shall have an average ceiling height of not less than 7 feet 0 inches.

History: Cr. Register, May, 1978, No. 269, eff. 7-1-78.

ILHR 61.14 Smoke detection. (1) GENERAL. All CBRF within the scope of this chapter shall be provided with an approved smoke detection system.

(2) **TYPE OF SYSTEM.** The smoke detection system specified in sub. (1) shall be at least a low voltage interconnected smoke detection system designed to protect the entire facility and capable of sounding an alarm throughout the facility or at a central location upon activation of any smoke detector.

(3) **SMOKE DETECTOR LOCATION.** At least one approved interconnected smoke detector shall be provided at the following locations:

(a) At the head of every open stairway;

(b) At the door leading to every enclosed stairway on each floor level;

(c) In every corridor, spaced not more than 30 feet apart and not further than 15 feet from any wall;

(d) In each common use room, including living rooms, dining rooms, family rooms, lounges and recreation rooms but not including kitchens; and

(e) In each sleeping room in which smoking is allowed.

(4) **APPLICABILITY.** The provisions of this section shall apply to all CBRF constructed on or after September 1, 1985, and to those CBRF previously constructed.

Note: See s. ILHR 51.245 for additional requirements pertaining to smoke detectors.

History: Cr. Register, May, 1978, No. 269, eff. 7-1-78; r. and recr. Register, December, 1978, No. 276, eff. 1-1-79; am., Register, December, 1981, No. 312, eff. 1-1-82, except (2) eff. 1-1-83; r. and recr. Register, August, 1985, No. 356, eff. 9-1-85; correction in (4) made under s. 13.93 (2m) (b) 14, Stats., Register, January, 1994, No. 457.

ILHR 61.15 Windows. (1) MINIMUM SIZE. Every living and sleeping room shall have outside windows with a total glazed area of at least 10% of the floor area of the room.

Register, January, 1994, No. 457

The openable area of such windows shall be equal to not less than 5% of the floor area of the room served.

(2) **MINIMUM OPENING FOR SLEEPING ROOMS.** At least one window in each sleeping room shall be openable from the inside without the use of tools and shall provide a clear opening of not less than 16 inches in the least dimension.

(3) **STORM WINDOWS AND SCREENS.** All windows serving habitable rooms shall be provided with storm windows in winter and openable windows serving habitable rooms shall be provided with insect-proof screens in summer.

(a) *Exception.* Insulated windows need not be provided with storm windows.

History: Cr. Register, May, 1978, No. 269, eff. 7-1-78; am. (1), Register, January, 1994, No. 457, eff. 2-1-94.

ILHR 61.16 Privacy. Privacy for sleeping rooms shall be provided by full-height partitions and rigid, swing-type room doors.

History: Cr. Register, May, 1978, No. 269, eff. 7-1-78.

ILHR 61.17 Sanitary facilities. (1) TOILET ROOMS. (a) A CBRF shall be provided with at least 2 separate toilet rooms which are accessible from public areas, such as non-sleeping areas, during all hours of operation.

(b) Toilet rooms shall be provided with locks to ensure privacy.

(2) **SANITARY FIXTURES.** (a) *Minimum number provided.* A CBRF shall be provided with at least 2 water closets, 2 lavatories connected to hot and cold water and 2 bathtubs or showers connected to hot and cold water.

(b) *Determination of number provided.* The ratio of occupants to water closets and lavatories shall be not less than one water closet and one lavatory for each 8 occupants, or fraction. The ratio of occupants to bathtubs and showers shall be not less than one bathtub or shower for each 10 occupants, or fraction.

(3) **ACCESSIBILITY.** Toilet rooms shall be so located that the maximum vertical travel distance between toilet rooms and sleeping rooms shall be not more than one floor level.

Note: Also refer to ch. HSS 3 — Community-based Residential Facilities, for additional requirements.

History: Cr. Register, May, 1978, No. 269, eff. 7-1-78; r. and recr., Register, August, 1993, No. 452, eff. 3-1-94.

ILHR 61.18 Requirements for barrier-free environment.

(1) **SCOPE.** The requirements of this section are intended to ensure that all CBRF licensed for mentally retarded or physically disabled residents shall be accessible and usable by such residents.

(2) **DEFINITIONS.** (a) *Primary floor.* The primary floor is any floor level at least 50% of which is used for habitable floor space.

(3) **REQUIREMENTS FOR ACCESSIBILITY.** All CBRF shall comply with the requirements found in Table 61.18.

TABLE 61.18

Barrier-Free Requirements	Class of CBRF		
	A	B	C
Ramped or grade-level entrance from street, alley or ancillary parking to a primary floor	Not required	Not required ¹	Required
Stepped entrance to a primary floor within 2'0" of grade	Not required	Required ¹	Not permitted
All passageway doors on primary floor minimum 2'-8" wide	Not required	Not required ^{2,3}	Required
All passageway doors on primary floor minimum 2'-6" wide	Not required	Required ²	Not permitted ³
Elevators, ramps or lifts to other floor levels	Not required	Required ⁴	Required ⁴
Interior access to all common-use areas	Not required	Required	Required
Interior access to at least one bathing and toilet facility	Not required	Required	Required
Grab bars for toilet and bath fixtures	Not required	Required ⁵	Required ⁵
Compliance with s. ILHR 52.04 (8)	Not required	Required ⁶	Required ⁶

¹Ramped or grade-level entrance required if residents are not capable of negotiating stairs.

²2'-8" doors required if residents in wheelchairs are allowed.

³2'-6" sleeping room doors permitted for rooms used by ambulatory residents.

⁴May be omitted if use of other floors is restricted to ambulatory or semiambulatory residents physically capable of negotiating stairs or if there are no one-of-a-kind, common-use areas located on those floors.

⁵Not required in rooms used only by ambulatory residents.

⁶Not required in rooms used only by ambulatory residents or residents not confined to a wheelchair.

(4) **RAMP REQUIREMENTS.** Ramps, as required in Table 61.18, shall comply with the following:

(a) **Ramp slope.** Ramps shall have a slope of not more than one foot of rise in 12 feet of run. An interior ramp with a slope of one foot of rise in 8 feet will be permitted. The ramps shall have a slip-resistant surface and shall have no side slope;

(b) **Ramp width.** Ramps shall be at least 4 feet wide, of which not more than 4 inches on each side may be occupied by a handrail;

(c) **Ramp handrails.** Ramps shall have a handrail on each side which shall be at least 2 feet 6 inches high (preferable height, 2 feet 8 inches). Handrails on unenclosed ramps shall include an intermediate parallel rail at mid height;

(d) **Ramp clearance.** Where ramps are provided to doorways, the ramp on each side of the doorway shall be level for a distance of 5 feet from the door; and

(e) **Ramp platforms.** Ramps having a 1:8 slope shall have a 5-foot long level platform at 16-foot intervals. Ramps having a 1:12 slope shall have a level platform at 30-foot intervals. Both types of ramps shall have a level platform at least 5 feet long where they turn and at least 5 feet of level clearance at the bottom of the ramps.

History: Cr. Register, May, 1978, No. 269, eff. 7-1-78.

ILHR 61.19 Kitchen and cooking areas. All CBRF shall have a kitchen or an area set aside for cooking and dining accessible from public (non-sleeping) areas. Kitchens or cooking areas shall be provided with one sink, in good working condition, connected to hot and cold water; utility service connections; and space for a stove and a refrigerator.

History: Cr. Register, May, 1978, No. 269, eff. 7-1-78.

ILHR 61.20 Fire extinguishers. A portable, dry chemical fire extinguisher, with a minimum 2A, 10 B-C rating, shall be provided on each occupied floor level. On the floor con-

taining the kitchen, the fire extinguisher shall be located in the kitchen or cooking area.

History: Cr. Register, May, 1978, No. 269, eff. 7-1-78; am. Register, August, 1985, No. 356, eff. 9-1-85.

ILHR 61.21 Maintenance and cleanliness. All CBRF, and all parts thereof, shall be maintained and kept in good repair, shall be kept clean, and shall also be kept free from any accumulation of dirt, trash or debris.

History: Cr. Register, May, 1978, No. 269, eff. 7-1-78.

ILHR 61.215 Combustible and flammable liquids. Combustible and flammable liquids shall be isolated in accordance with ch. ILHR 10.

History: Cr. Register, March, 1991, No. 423, eff. 4-1-91.

ILHR 61.22 Building service equipment. Each gas line providing service piping connections for appliances shall have a separate shut-off (stop cock) for each appliance served.

History: Cr. Register, May, 1978, No. 269, eff. 7-1-78.

ILHR 61.23 Potable water and plumbing. Where a public water supply is available it shall be used to provide a continuing and adequate supply of potable water. When a public water system is not available the well, or wells, shall be approved by the department of natural resources. Water samples from an approved well shall be tested at the state laboratory of hygiene, or a state approved laboratory, at least annually. The water supply shall be bacteriologically safe prior to use.

Note: Refer to ch. ILHR 82 for requirements pertaining to the plumbing system.

History: Cr. Register, May, 1978, No. 269, eff. 7-1-78.

ILHR 61.24 Heating and ventilating. (1) HEATING. (a) General. All occupied rooms in CBRF shall be provided with a permanently connected heating system.

(b) **Operation and maintenance.** 1. The heating system shall be maintained in a clean and safe condition. A minimum temperature, as specified in the licensing rules, shall be maintained in all CBRF.

2. Replacement equipment shall be of an approved type.

Register, January, 1994, No. 457

ILHR 61.24

Note: The department recognizes listings of independent testing agencies such as American Gas Association (AGA) and Underwriters' Laboratories (UL).

(c) *Chimneys and breeching.* 1. Chimneys (masonry or factory-built) and breeching shall be kept in good repair and shall be of the type required for the type of connected heating equipment.

2. Every chimney shall be provided with an access panel to permit inspection and servicing.

(d) *Clearance to combustibles and combustible construction.* 1. Heating equipment shall be installed in accordance with the manufacturer's recommendations to provide minimum clearance. In the absence of manufacturer's recommendations, a minimum clearance of 36 inches shall be provided.

a. Exception: Existing installations providing less than 36 inches of clearance will be accepted if there is no physical evidence of problem (charring, etc.).

2. New combustible construction, such as partitions, shelving or storage lockers, shall not encroach upon the required clearance.

(e) *Safety features.* 1. All oil- and gas-fired equipment shall be provided with automatic controls that will shut off the fuel supply to the burner in case of ignition failure.

2. Fixed electric heating equipment shall be of a type equipped with safety and temperature controls.

3. Gas-fired fireplaces shall be provided with automatic controls that will shut off the fuel supply in case of flame-out and shall be properly vented.

4. Solid-fuel fireplaces shall be equipped with safety screen.

(f) *Space heaters.* Portable and fixed fuel-fired, and portable electric space heaters are prohibited in CBRF.

1. Exception. Fixed, gas-fired pre-vented wall heaters may be used.

(2) **VENTILATION: GENERAL REQUIREMENTS.** (a) *Kitchen or cooking areas.* Kitchens or cooking areas shall be provided with at least one openable outside window, an exhaust fan vented to the outside, or a means of filtered mechanical air circulation.

(b) *Bath and toilet rooms.* Bath and toilet rooms shall have at least one openable outside window at least 2 square feet in area, or a mechanical or gravity exhaust vented to the outside, or an approved ductless exhaust fan.

History: Cr. Register, May, 1978, No. 269, eff. 7-1-78; r. (1) (e) 2. and 3., renum. (1) (e) 4. to 6. to 2. to 4., Register, March, 1991, No. 423, eff. 4-1-91.

ILHR 61.25 Electrical. (1) GENERAL. (a) Every CBRF shall be supplied with electrical service, wiring, outlets and fixtures which shall be properly installed and shall be maintained in good and safe working condition.

(b) The electrical service shall be of the proper size to handle the load connected to it.

Note: As a guide to the owner/operator for determining the adequacy of existing electrical service, the habitable rooms should have electrical ser-

vice capable of providing at least 3 watts per square foot of total floor area in addition to that provided for air conditioning, ranges, fixed electric heaters and motor-driven equipment $\frac{1}{2}$ hp or over.

(2) **PROTECTION.** The branch circuits shall be protected by S-type or equivalent safety type, tamper-proof fuses, or circuit breakers not to exceed the ampacity of the smallest wire size in the circuit.

(3) **MINIMUM NUMBER OF FIXTURES AND OUTLETS.** The minimum number of fixtures and outlets shall be as follows:

(a) Every lavatory, bathroom, kitchen or kitchenette, dining room, laundry room, and furnace room shall contain at least one approved ceiling or wall-type electric light fixture equipped with sufficient lamps or tubes to provide no less than 5 footcandles at the floor level at the center of room. A switched outlet may be substituted for a ceiling or wall fixture in dining rooms; and

(b) Electric duplex outlet receptacles shall be provided as follows. (To determine room area, measurements shall be taken at room perimeter and shall include doors and door-alcoves.)

1. Living room, one per 75 sq. ft. of floor area or major fraction (minimum of 2).

2. Dining room, one per 75 sq. ft. of floor area or major fraction (minimum of 2).

3. Kitchen, one per 8 lineal feet or fraction of countertop and preparation area, including island-type areas. In addition, kitchens used for dining purposes, one per 75 sq. ft. of floor area or major fraction. Separate outlets shall be provided for refrigerators.

Note: Preparation areas include countertops and all other similar areas at counter height.

4. Bedroom, one per 75 sq. ft. of floor area or major fraction (minimum of 2).

5. Laundry, one.

6. Toilet rooms, one (may be part of wall fixture if 72 inches or less from floor).

7. Other habitable rooms, minimum of 2.

(4) **OUTLET AND SWITCH LOCATIONS; EXPOSED WIRING.** (a) *Outlets.* Convenience outlets shall be located to discourage use of extension cords.

(b) *Switches.* Switches or equivalent devices for turning on one light in each room or passageway shall be located so as to conveniently control the lighting in the area.

(c) *Exposed wiring.* All temporary wiring and exposed, abandoned wiring shall be removed.

History: Cr. Register, May, 1978, No. 269, eff. 7-1-78; am. (3) (a), Register, March 1991, No. 423, eff. 4-1-91.

ILHR 61.26 Retroactivity. The rules of this chapter shall apply to buildings with occupancies under the scope of this chapter now in existence and to buildings hereafter converted to use as a CBRF.

History: Cr. Register, May, 1978, No. 269, eff. 7-1-78.

Chapter ILHR 62

SPECIALTY OCCUPANCIES

ILHR 62.001	Scope	ILHR 62.54	Vehicle storage
ILHR 62.10	Definitions	ILHR 62.55	Tower construction
Subchapter I Open Parking Structures			
ILHR 62.20	Scope	ILHR 62.56	Location of tower
ILHR 62.205	Classifications	ILHR 62.57	Concession and motion picture machine booth
ILHR 62.21	Construction requirements	ILHR 62.58	Sanitary facilities
ILHR 62.22	Setbacks	ILHR 62.59	Ramps and speaker equipment
ILHR 62.23	Separated from other occupancies	ILHR 62.60	Lighting
ILHR 62.24	Construction, height and allowable area	ILHR 62.61	Speed limit
ILHR 62.25	Clearance limitations	ILHR 62.62	Running of engines
ILHR 62.26	Number, location and type of pedestrian exits	Subchapter V Assembly Seating Facilities	
ILHR 62.27	Stairway enclosures	ILHR 62.70	Scope
ILHR 62.28	Pedestrian and perimeter guardrails	ILHR 62.71	Approval and supervision
ILHR 62.29	Illumination and exit lights	ILHR 62.72	Inspection and maintenance
ILHR 62.30	Standpipes	ILHR 62.73	Design loads
ILHR 62.31	Sanitary facilities	ILHR 62.74	Construction requirements
ILHR 62.32	Isolation of hazards	ILHR 62.75	Means of egress
ILHR 62.33	Exceptions for mechanical access open parking structures	ILHR 62.76	Seating
ILHR 62.34	Barrier-free requirements	ILHR 62.77	Guardrails
Subchapter II Television and Radio Antenna			
ILHR 62.35	Scope	ILHR 62.78	Isolation of hazards
ILHR 62.36	Construction requirements	ILHR 62.79	Sanitary facilities
ILHR 62.37	Design loads	ILHR 62.80	Illumination and emergency lighting
ILHR 62.38	Antenna systems on buildings	ILHR 62.81	Fire prevention
ILHR 62.39	Setbacks	Subchapter VI Greenhouses	
ILHR 62.40	Antenna system support	ILHR 62.90	Scope
ILHR 62.41	Electrical requirements	ILHR 62.91	Classifications
Subchapter III Tents			
ILHR 62.42	Scope	ILHR 62.92	Construction
ILHR 62.43	Area limitation and setbacks	ILHR 62.93	Separations
ILHR 62.44	Structural requirements	ILHR 62.94	Height and allowable area
ILHR 62.45	Flame resistance	ILHR 62.95	Exits
ILHR 62.46	Fire hazards	ILHR 62.96	Design loads
ILHR 62.47	Exits	ILHR 62.965	Isolation of hazards
ILHR 62.48	Toilet facilities	Subchapter VII Pedestrian Access Structures Connecting Buildings	
ILHR 62.49	Electrical installations	ILHR 62.97	Scope
ILHR 62.50	Fire extinguishers	ILHR 62.98	General requirements
ILHR 62.51	Illumination; exit lights and signs	ILHR 62.99	Exiting
Subchapter IV Outdoor Theaters			
ILHR 62.52	Scope	ILHR 62.991	Special requirements
ILHR 62.53	Entrances and exits	Subchapter VIII Amusement Facility and Specialty Event Centers	
Subchapter V Assembly Seating Facilities			
ILHR 62.70	Scope	ILHR 62.992	Specialty event centers
ILHR 62.71	Approval and supervision	Subchapter IX Mini-Storage Buildings	
ILHR 62.72	Inspection and maintenance	ILHR 62.995	Mini-storage buildings
ILHR 62.73	Design loads		
ILHR 62.74	Construction requirements		
ILHR 62.75	Means of egress		
ILHR 62.76	Seating		
ILHR 62.77	Guardrails		
ILHR 62.78	Isolation of hazards		
ILHR 62.79	Sanitary facilities		
ILHR 62.80	Illumination and emergency lighting		
ILHR 62.81	Fire prevention		

Note: Chapter Ind 62 was renumbered chapter ILHR 62 effective January 1, 1984.

ILHR 62.001 Scope. This classification includes all specialty occupancies as indicated in the scope of each subchapter of this chapter.

History: Cr. Register, December, 1977, No. 264, eff. 1-1-78; am. Register, December, 1981, No. 312, eff. 1-1-82.

ILHR 62.10 Definitions. (1) "Assembly seating facilities" means structures including but not limited to, bleachers, grandstands and stadiums on which persons are seated for such purposes as entertainment, worship or deliberation.

(1m) "Greenhouses" means structures clad with light-transmitting material designed primarily for the purpose of cultivating plant life and used as public buildings or places of employment.

(2) "Open parking structure" means a structure with open areas in the exterior walls or ventilation shafts, or

combination of both, as specified in s. ILHR 62.21 used solely for the parking of passenger vehicles without any facilities for repairing or fueling of vehicles within the structure.

(3) "Outdoor theater" means a place of outdoor assembly used for the showing of plays, operas, motion pictures and similar forms of entertainment in which the audience views the performance from self-propelled vehicles parked within the theater enclosure.

(4) "Permanent" means in place for more than 180 consecutive calendar days.

(5) "Repair garage" means a structure as defined in s. ILHR 59.01 (4).

(6) "Storage garage" means a structure as defined in s. ILHR 59.01 (5).

ILHR 62.10

(7) "Tents" mean portable, temporary shelters or structures, the covering of which is made of pliable material.

History: Cr. Register, December, 1977, No. 264, eff. 1-1-78; cr. (3) and (4), Register, January, 1980, No. 289, eff. 2-1-80; r. and recr., Register, December, 1981, No. 312, eff. 1-1-82; cr. (1m), Register, December, 1983, No. 336, eff. 1-1-84.

Subchapter I — Open Parking Structures

ILHR 62.20 Scope. This subchapter provides the minimum requirements for the design and construction of open parking structures as specified in s. ILHR 62.10 (2).

History: Cr. Register, December, 1977, No. 264, eff. 1-1-78; am., Register, December, 1981, No. 312, eff. 1-1-82.

ILHR 62.205 Classifications. Open parking structures shall be classified as either ramp access or mechanical access types as follows:

(1) Ramp access, open parking structures employ a series of continually sloped floors or a series of interconnected ramps between floors permitting the movement of vehicles under their own power between the street level and parking areas; or

(2) Mechanical access, open parking structures employ fully automated parking machines, lifts, elevators or other mechanical devices for moving vehicles between the street level and the parking area, and in which public occupancy is prohibited above street level.

History: Cr. Register, December, 1981, No. 312, eff. 1-1-82.

ILHR 62.21 Construction requirements. (1) GENERAL. Open parking structures shall be provided with open areas in the exterior walls or ventilation shafts, or a combination of both, on each level of at least 4% of the total floor area of that level, distributed on at least 2 exterior sides so as to provide cross ventilation.

(2) MATERIAL. All open parking structures shall be constructed of noncombustible materials.

Note: Structural components of open parking structures are subjected to corrosive and deteriorating elements. The designer should consider the effects of such elements and should consider the use of air-entrained concrete, concrete sealers and coatings, additional cover for reinforcing and other accepted engineering practices to protect the components.

(3) FLOORS. Floors shall be provided with drainage as specified in s. ILHR 82.36.

History: Cr. Register, December, 1977, No. 264, eff. 1-1-78; r. and recr. Register, December, 1981, No. 312, eff. 1-1-82; correction in (3) made under s. 13.93 (2m) (b) (7), Stats., Register, August, 1985, No. 356.

ILHR 62.22 Setbacks. Open parking structures may be erected without enclosing walls, except that enclosing walls of not less than 2-hour fire-resistive construction, as specified in s. ILHR 51.04, shall be provided on all sides which are less than 10 feet from a property line between premises or any other building.

History: Cr. Register, December, 1977, No. 264, eff. 1-1-78.

ILHR 62.23 Separated from other occupancies. Any open parking structure shall be separated from any other occupancy in accordance with s. ILHR 51.08.

History: Cr. Register, December, 1977, No. 264, eff. 1-1-78; r. and recr. Register, March, 1991, No. 423, eff. 4-1-91.
Register, January, 1994, No. 457

ILHR 62.24 Construction, height and allowable area. (1) CONSTRUCTION AND HEIGHT. Open parking structures shall be of the type of construction and shall not exceed the height as specified in this section. The maximum floor area of any such structure shall not exceed that permitted for the corresponding type of construction and height as follows:

(a) Open parking structures of noncombustible zero-hour (NC-0) rating shall not exceed 70 feet in height or 700,000 square feet in total area.

(b) Open parking structures of noncombustible 2-hour rating or better shall not be limited in height or area per floor level. Exterior walls need not be rated, except as provided in s. ILHR 62.22.

Note: Open parking structures in excess of 60 feet in height are exempt from the administrative rules and statutes requiring automatic fire sprinkler systems (see s. ILHR 52.01 (1) and (2) and s. 101.14, Stats.).

History: Cr. Register, December, 1977, No. 264, eff. 1-1-78; am. (1) (intro.), Register, December, 1981, No. 312, eff. 1-1-82.

ILHR 62.25 Clearance limitations. (1) PRINCIPAL VEHICLE AND PEDESTRIAN TRAFFIC AREAS. The clear height of each floor level in principal vehicle and pedestrian traffic areas shall be not less than 7 feet 0 inches.

Note: See Appendix A for further explanatory material.

(2) CLEARANCE SIGNS. Clearance limitation signs shall be prominently posted at all vehicle entrances.

Note: A lesser clear height may be permitted in mechanical-access open parking structures when approved by the department.

History: Cr. Register, December, 1977, No. 264, eff. 1-1-78.

ILHR 62.26 Number, location and type of pedestrian exits. (1) NUMBER OF EXITS. Every open parking structure and every floor level thereof shall have at least 2 exits.

(2) DISTANCE TO EXITS. Additional exits shall be provided so that no part of the open parking structure will be more than 200 feet distant to the exit discharge grade or to a stair enclosure if the walls separating the stair from the open parking structure are of at least noncombustible one-hour (NC-1) rating or better and the enclosure is continuous to an outside exit.

Note: In all cases, required exit stairs are required to be enclosed (see s. ILHR 62.27). If the designer elects to increase the exit distance by measuring to the stair enclosure, the enclosure must have at least a noncombustible one-hour (NC-1) rating.

(3) LOCATION OF EXITS. Exits in all open parking structures shall be placed as far apart as practicable and so located that if any exit is blocked, some other exit will still be available from every part of the structure.

(4) TYPE OF EXITS. At least one-half of the exits required by this section shall be standard exits to grade, stairways or horizontal exits as specified in ss. ILHR 51.15, 51.16 and 51.19, respectively. The other exits may be non-parking access ramps with a maximum slope of 1:8.

History: Cr. Register, December, 1977, No. 264, eff. 1-1-78; am. (4), Register, December, 1978, No. 276, eff. 1-1-79; am. (4), Register, January, 1980, No. 289, eff. 2-1-80.

ILHR 62.27 Stairway enclosures. Stair enclosures of NC-0 hour rating, or better, shall be provided for all required exit stairways, unless otherwise required to be rated.

Note: It is the intent of s. ILHR 62.27 to require all required exit stairs to be enclosed. If the designer elects to measure the exit distance to the stair enclosure, the enclosure must be then rated. (See s. ILHR 62.26 (2).)

History: Cr. Register, December, 1977, No. 264, eff. 1-1-78.

ILHR 62.28 Pedestrian and perimeter guardrails. (1) PEDESTRIAN GUARDRAILS. (a) Pedestrian guardrails, or equivalent, conforming to the requirements of s. ILHR 51.162, shall be provided on all open sides of the structure on each level.

(b) Pedestrian guardrails as specified in s. ILHR 62.28 (1) (a) shall be provided at changes of elevation within the structure where the clear vertical opening at the elevation change is one foot 6 inches or greater.

(2) PERIMETER GUARDRAILS. (a) Perimeter guardrails shall be installed at the end of drive lanes and shall be designed for a minimum horizontal live load of 1000 pounds per lineal foot acting at 18 inches above the floor level.

(b) Perimeter guardrails shall be installed at the end of parking stalls and shall be designed for a minimum horizontal live load of 500 pounds per lineal foot acting at 18 inches above the floor.

History: Cr. Register, December, 1977, No. 264, eff. 1-1-78; am. (1), Register, January, 1980, No. 289, eff. 2-1-80.

ILHR 62.29 Illumination and exit lights. (1) ILLUMINATION LEVELS. Minimum illumination levels at a horizontal plane 30 inches above the floor shall conform to the requirements of Table 62-1.

(2) EXIT LIGHTS. Every required exit from each floor shall be indicated by an approved exit sign as specified in s. ILHR 51.15 (5).

TABLE 62-1
MINIMUM ILLUMINATION LEVELS

Area	Intensity (in footcandles)
Stairways and exits	10
Parking areas	2

History: Cr. Register, December, 1977, No. 264, eff. 1-1-78; am. (2), Register, December, 1983, No. 336, eff. 1-1-84.

ILHR 62.30 Standpipes. (1) FIRE DEPARTMENT STANDPIPES. Fire department standpipes shall be provided in all open parking structures 3 or more stories in height.

(a) Fire department standpipes shall be dry standpipes systems.

(b) Fire department standpipes with a fire department connection greater than 50 feet to a street shall be interconnected to a standpipe system with such a connection 50 feet or less to a street.

(c) Fire department standpipes shall be provided in each stair enclosure and shall be provided with approved 2½ inch valve hose connections at each floor level with one connection in the stair enclosure and one connection immediately outside the enclosure.

(d) Fire department standpipes shall be as specified in s. ILHR 51.21 (3) (e) to (i).

(2) EXCEPTIONS. (a) The department will recognize alternative systems and designs if an equivalent degree of

safety is provided in lieu of required fire department standpipes in open parking structures 60 feet or less in height.

(b) The department will accept open parking structures without fire department standpipes if clearances are provided to allow fire-fighting vehicles access throughout the open parking structure.

History: Cr. Register, December, 1977, No. 264, eff. 1-1-78; am. (1) (d) 2., Register, December, 1978, No. 276, eff. 1-1-79; r. and recr., Register, December, 1981, No. 312, eff. 1-1-82; am. (1) (intro.) and (c), Register, March, 1991, No. 423, eff. 4-1-91.

ILHR 62.31 Sanitary facilities. (1) UNATTENDED PARKING STRUCTURES. Sanitary facilities need not be provided in unattended parking structures.

(2) ATTENDED PARKING STRUCTURES. Sanitary facilities for employes at attended parking structures shall be provided in accordance with s. ILHR 54.12 (1) (a) 3.

Note: Sanitary facilities for parking patrons need not be provided.

History: Cr. Register, December, 1977, No. 264, eff. 1-1-78; am (2); Register, August, 1993, No. 462, eff. 3-1-94.

ILHR 62.32 Isolation of hazards. (1) FIRE PROTECTION. (a) Except as provided in par. (b), boilers, furnaces, including fuel rooms and breeching, and all open-flame equipment within open parking structures shall be isolated from the rest of the open parking structure by at least 2-hour fire-resistive construction as specified in ss. ILHR 51.04 to 51.049.

(b) Direct vent sealed combustion chamber appliances and suspended heating equipment as specified in Table 64.21 need not be enclosed with fire-resistive construction as specified in par. (a).

(2) PROTECTION OF OPENINGS. All openings in such enclosure shall be protected with self-closing fire-resistive doors as specified in s. ILHR 51.047.

(3) SUSPENDED EQUIPMENT. Space heaters, suspended furnaces, and direct-fired unit heaters, fired with various fuels, may be used without an enclosure where approved by the department. Where such equipment is used without an enclosure, they shall be located at least 8 feet above the floor.

(4) COMBUSTIBLE AND FLAMMABLE LIQUIDS. Combustible and flammable liquids shall be isolated in accordance with ch. ILHR 10.

History: Cr. Register, December, 1977, No. 264, eff. 1-1-78; am. (1), Register, December, 1981, No. 312, eff. 1-1-82; am. (1), Register, August, 1985, No. 356, eff. 1-1-86; cr. (4), Register, March, 1991, No. 423, eff. 4-1-91.

ILHR 62.33 Exceptions for mechanical access open parking structures. Mechanical access open parking structures need not comply with ss. ILHR 62.25 to 62.29, inclusive.

History: Cr. Register, December, 1977, No. 264, eff. 1-1-78.

ILHR 62.34 Barrier-free requirements. (1) PARKING SPACES. Accessible parking spaces shall be provided in accordance with the applicable requirements specified in s. ILHR 52.04 (3) (a).

ILHR 62.34

(2) TOILET FACILITIES. Toilet facilities provided for the employes, as specified in s. ILHR 62.31 (2), shall comply with the requirements of s. ILHR 52.04 (4) (c).

History: Cr. Register, December, 1978, No. 276, eff. 1-1-79.

Subchapter II — Television and Radio Transmitting and Receiving Antenna

ILHR 62.35 Scope. The requirements of this part shall apply to the outdoor portion of all apparatus, more than 12 feet in height, used for transmitting and receiving television or radio waves.

History: Cr. Register, December, 1978, No. 276, eff. 1-1-79.

ILHR 62.36 Construction requirements. All television and radio antenna systems, including the supporting tower or mast, shall be constructed of galvanized steel or other corrosive-resistant noncombustible material. Where approved by the department, towers constructed of wood or wood poles set in the ground may be used to support antenna systems, but no wood tower or wood pole may be mounted on the roof of any building structure.

History: Cr. Register, December, 1978, No. 276, eff. 1-1-79.

ILHR 62.37 Design loads. (1) DEAD AND ICE LOADS. The supporting tower shall be designed for the dead load of the structure and all appurtenances plus an ice load of at least 1/2 inch in radial thickness. The ice load shall be considered on all members of the structure including guys.

(2) WIND LOADS. (a) Self-supporting towers shall be designed for the wind loads specified in s. ILHR 53.12.

1. Open face or latticed tower structures shall be designed for wind pressure applied to the projected area of all members, including ice, in one face multiplied by the following factors:

- a. 1.75 for towers of square cross-section; or
- b. 1.5 for towers of triangular cross-section.

2. Wind loads shall be considered basic design loads with no increase in allowable unit stresses permitted.

(b) Guyed towers shall be designed in accordance with a recognized engineering standard.

Note: "Structural Standards for Steel Antenna Towers and Antenna Supporting Structures", EIA Standard RS-222-C, published by Electronic Industries Association, 2001 Eye Street, N.W., Washington, D.C. 20006, is an acceptable standard for the design of guyed towers and self-supporting towers.

History: Cr. Register, December, 1978, No. 276, eff. 1-1-79; r. and recr. Register, December, 1983, No. 336, eff. 1-1-84.

ILHR 62.38 Antenna systems on buildings. Antenna systems installed on the roof of a building shall not be supported by or attached to a chimney. All such installations shall be mounted on an independent platform or base and anchored in place. The platform or base of the tower shall be sized to distribute the weight of the structure so the roof construction will safely support the weight of the structure in addition to the required live and dead roof loads.

History: Cr. Register, December, 1978, No. 276, eff. 1-1-79.
Register, January, 1994, No. 457

ILHR 62.39 Setbacks. No wires, cables, or guy wires shall extend over any street or other public thoroughfare or over any electric power or communication lines.

History: Cr. Register, December, 1978, No. 276, eff. 1-1-79; am. Register, December, 1983, No. 336, eff. 1-1-84.

ILHR 62.40 Antenna system support. Poles used for electric power or for communication lines may not be used for supporting or for guying any antenna system.

History: Cr. Register, December, 1978, No. 276, eff. 1-1-79; am. Register, March, 1991, No. 423, eff. 4-1-91.

ILHR 62.41 Electrical requirements. Electrical installations in connection with antenna systems, including the grounding of the tower or mast, shall comply in all respects with the requirements of the Wisconsin state electrical code, volume 2, ch. ILHR 16.

History: Cr. Register, December, 1978, No. 276, eff. 1-1-79.

Subchapter III — Tents

ILHR 62.42 Scope. The requirements of this part shall apply to all tents, except those used exclusively for construction purposes.

History: Cr. Register, January, 1980, No. 289, eff. 2-1-80.

ILHR 62.43 Area limitation and setbacks. (1) AREA OF GROUND COVERED. No tent shall be erected to cover more than 75% of the premises on which it is located.

(2) SETBACK TO PROPERTY LINE AND OTHER STRUCTURES. (a) Tents used for assembly purposes which cover 1500 square feet or more of ground area shall be located at least 20 feet from any other structure or adjoining property lines.

(b) Concession and other tents not used for assembly purposes need not be separated from each other and may be located less than 20 feet from other structures.

(3) SETBACK FOR EXITING. Stake lines of adjacent tents used for assembly purposes shall be sufficient distance from each other to provide an emergency exit passageway not less than 6 feet in width between stake lines. Proper protection shall be provided along such stake lines to eliminate tripping hazards.

History: Cr. Register, January, 1980, No. 289, eff. 2-1-80.

ILHR 62.44 Structural requirements. (1) MATERIAL SIZE AND STRENGTH. Poles and other members supporting tents shall be of sufficient size and strength to support the structure safely without exceeding the stresses specified in ch. ILHR 53.

(2) WIND LOAD. (a) All tents shall be adequately guyed, supported and braced to withstand a wind pressure or suction of not less than 10 pounds per square foot.

(b) The poles, guys, stakes, fastenings and similar devices shall be of sufficient strength and so attached as to resist a wind pressure of at least 20 pounds per square foot of projected area of the tent.

History: Cr. Register, January, 1980, No. 289, eff. 2-1-80.

ILHR 62.45 Flame resistance. All tents used for assembly purposes or in which animals are stabled and all other tents used by the public in places of outdoor assembly

shall be effectively flameproofed. The owner shall furnish a certificate or a test report by a recognized testing engineer or laboratory as evidence that such tents have the required flame resistance.

History: Cr. Register, January, 1980, No. 289, eff. 2-1-80.

ILHR 62.46 Fire hazards. (1) CLEARING OF GROUND. The ground enclosed by a tent used in connection with a place of outdoor assembly and for a distance of not less than 10 feet outside such structure on all sides shall be cleared of all flammable material or vegetation which will transmit fire. The premises shall be kept free from such flammable material during the period the premises are used by the public.

(2) COMBUSTIBLE MATERIAL FOR CARE OF ANIMALS. No hay, straw, shavings or similar combustible materials other than that necessary for the current feeding and care of animals shall be permitted within any tents used for public assembly except that sawdust and shavings may be used if kept damp.

(3) NO SMOKING. No smoking or unapproved open flame of any kind shall be permitted in any tent while occupied by the public. "No Smoking" signs shall be conspicuously posted in all tents open to the public.

(4) SAFETY FILM. Tents shall not be used for motion picture performances unless safety film is used.

(5) COMBUSTIBLE AND FLAMMABLE LIQUIDS. Combustible and flammable liquids shall be isolated in accordance with ch. ILHR 10.

History: Cr. Register, January, 1980, No. 289, eff. 2-1-80; cr. (5), Register, March, 1991, No. 423, eff. 4-1-91.

ILHR 62.47 Exits. (1) NUMBER OF EXITS. (a) Every tent occupied by the public shall have at least 2 standard exits located at or near opposite ends of the structure.

(b) In tents used for assembly purposes, exits shall be provided on 3 sides if the capacity exceeds 600 persons and on 4 sides where the capacity exceeds 1,000 persons.

(2) EXIT DISTANCE. Exits shall be uniformly distributed but in no case shall the line of travel to an exit be greater than 150 feet.

(3) EXIT WIDTH. The total width of exits from a tent used for assembly purposes shall be not less than 44 inches per 100 persons. Exit openings shall comply in all respects with the requirements of ss. ILHR 51.15 and 55.10.

History: Cr. Register, January, 1980, No. 289, eff. 2-1-80.

ILHR 62.48 Toilet facilities. Separate toilet facilities, in conjunction with all tents used as places of outdoor assembly, shall be provided in accordance with s. ILHR 55.32. Toilet rooms and equipment shall comply with the requirements of ss. ILHR 52.50-52.64 of this code or as approved by the department.

History: Cr. Register, January, 1980, No. 289, eff. 2-1-80.

ILHR 62.49 Electrical installations. (1) GENERAL. Electrical systems in all tents used as places of outdoor assembly shall be installed in accordance with the requirements of the Wisconsin state electrical code, volume 2, ch. ILHR 16. All such systems shall be maintained and operated in a safe and workmanlike manner.

(2) PROTECTION AND ISOLATION. The electrical system and equipment shall be isolated from the public by proper elevation and guarding. All electrical fuses and switches shall be installed in approved enclosures. Cables laid on the ground or in areas traversed by the public shall be placed in trenches or protected by approved covers.

History: Cr. Register, January, 1980, No. 289, eff. 2-1-80.

ILHR 62.50 Fire extinguishers. (1) GENERAL. Portable fire extinguishers shall be installed as specified in Table 62.50.

Note: See Appendix A for further explanatory material.

TABLE 62.50

Basic Minimum Extinguisher Rating	Maximum Travel Distance to Extinguisher (feet)	Area to be Protected per Extinguisher (sq. ft.)
1A	75	3,000
2A	75	6,000
3A	75	9,000
4A or larger	75	11,250

(2) LOCATION. (a) Extinguishers shall be conspicuously located where they will be readily accessible and immediately available in the event of fire.

(b) Extinguishers shall not be obstructed or obscured from view.

(3) MAINTENANCE. Portable fire extinguishers shall be maintained as specified in s. ILHR 51.22.

History: Cr. Register, January, 1980, No. 289, eff. 2-1-80; r. and recr., Register, December, 1981, No. 312, eff. 1-1-82.

ILHR 62.51 Illumination; exit lights and signs. (1) LIGHTING OF EXITS. All exits, aisles and passageways leading to exits in tents used as places of outdoor assembly shall be kept adequately lighted at all times when the structure is

occupied by the public. Artificial illumination having an intensity of not less than 2.5 footcandles at the floor line shall be provided when natural light is inadequate.

(2) ILLUMINATED EXIT SIGNS. Exit lights and signs complying with the requirements of s. ILHR 55.11 shall be provided in all tents used as places of outdoor assembly where more than 100 persons can be accommodated.

History: Cr. Register, January, 1980, No. 289, eff. 2-1-80.

Subchapter IV — Outdoor Theaters

ILHR 62.52 Scope. The requirements of this part shall apply to all outdoor theaters now in existence and to out-

ILHR 62.52

door theaters hereafter constructed, except as provided in s. ILHR 62.56.

History: Cr. Register, January, 1980, No. 289, eff. 2-1-80.; correction made under s. 13.93 (2m) (b) 7, Stats., Register, August, 1985, No. 356.

ILHR 62.53 Entrances and exits. All entrances and exits for outdoor theaters shall comply with the regulations of the department of transportation for driveways from property abutting state highways and the following additional requirements:

(1) NUMBER OF ENTRANCES. Not more than one entrance shall be provided for each access road but each such entrance may be divided into 2 roadways and channelized to properly provide for vehicles turning right or left from the highway.

(2) HIGHWAY RIGHT-OF-WAY. That portion of an entrance or exit lying within the highway right-of-way shall comply with the regulations of the authority in charge of the maintenance of the highway or, in the event this authority has no regulation, it shall comply with regulations prescribed by the state department of transportation.

(3) NUMBER OF EXITS. Not more than one exit shall be provided for each access highway but such exit may be suitably channelized to provide for right and left turns to the highway, and not more than one traffic lane shall be permitted for each traffic lane on the highway available to vehicles leaving the theater.

History: Cr. Register, January, 1980, No. 289, eff. 2-1-80.

ILHR 62.54 Vehicle storage. (1) AREA NEEDED. A storage area for vehicles, equal to not less than 10% of the theater capacity, shall be provided between the highway and the ticket booth. In all cases, sufficient storage space shall be provided so the vehicles will not back up on the traveled way of the highway. Storage area shall be calculated on the basis of 162 square feet per vehicle.

(2) HOLD-OVER AREA. A hold-over storage area having sufficient capacity to accommodate not less than 15% of the theater capacity shall be provided between the ticket booth and the ramp area.

History: Cr. Register, January, 1980, No. 289, eff. 2-1-80.

ILHR 62.55 Tower construction. The tower supporting the motion picture screen shall be designed to resist a horizontal wind pressure of not less than 30 pounds for every square foot of exposed surface.

History: Cr. Register, January, 1980, No. 289, eff. 2-1-80.

ILHR 62.56 Location of tower. The screen shall be so oriented that the picture is not visible from any major highway. This requirement does not apply to towers erected prior to January 1, 1952.

History: Cr. Register, January, 1980, No. 289, eff. 2-1-80.

ILHR 62.57 Concession and motion picture machine booth. (1) MOTION PICTURE BOOTH. The motion picture booth and equipment shall comply in all respects with the requirements of ss. ILHR 55.40 through 55.49.

(2) CONCESSION BUILDINGS. Concession buildings in connection with outdoor theaters shall comply with the requirements of ch. ILHR 54.

History: Cr. Register, January, 1980, No. 289, eff. 2-1-80.
Register, January, 1994, No. 457

ILHR 62.58 Sanitary facilities. (1) TOILET ROOMS. Outdoor theaters and other occupancies under this chapter shall be provided with separate toilet rooms for each sex. Toilet rooms and equipment shall comply with the requirements of ss. ILHR 52.50 through 52.64.

(2) SANITARY FIXTURES. Toilet fixture ratios shall be provided as required by s. ILHR 55.32. In determining the number of fixtures required for toilet rooms in connection with outdoor theaters, the capacity of the theater shall be established by using 2 $\frac{1}{4}$ persons for each vehicle accommodated, exclusive of vehicles parked in the waiting or hold-over area. The total number of persons will be considered equally divided between men and women.

(3) ACCESSIBILITY. Where toilet rooms are provided for the public and are so located that the patrons must cross the ramp area in order to reach the toilet rooms, a suitable approach or passageway leading to the toilet rooms shall be maintained. Such passageways shall be properly lighted and unobstructed.

History: Cr. Register, January, 1980, No. 289, eff. 2-1-80; r. and recr., Register, August, 1993, No. 452, eff. 3-1-94.

ILHR 62.59 Ramps and speaker equipment. (1) RAMP SPACING. Ramps shall be spaced not less than 38 feet apart. The ramps shall be so designed that any vehicle can move from its parked position to the exit driveway without being required to back up.

(2) SURFACE REQUIRED. All ramps, parking areas, entrance and exit driveways shall be properly surfaced with a gravel surfacing or better, adequate to withstand the weight of the vehicles accommodated.

(3) PUBLIC TRANSPORTATION SPEAKER FACILITIES. Where additional seating space is provided in the theater enclosure for patrons using public transportation facilities, the speaker arrangement shall be such that the sound will be confined to the immediate seating area and not broadcast beyond the theater enclosure.

(4) SPACING OF SPEAKER POSTS AND ELECTRICAL WIRING. There shall not be less than 18 feet distance between speaker posts, measured parallel to the ramps, except in seated areas for patrons using public transportation. All electrical wiring and electrical equipment shall be installed in accordance with the provisions of the Wisconsin state electrical code, volume 2, ch. ILHR 16. Each speaker post shall be wired with wire approved for underground use laid in trenches not less than 12 inches in depth.

History: Cr. Register, January, 1980, No. 289, eff. 2-1-80.

ILHR 62.60 Lighting. All entrance and exit driveways shall be adequately lighted and properly marked to avoid congestion and confusion and shall remain lighted throughout the performance and until the audience has left the area.

History: Cr. Register, January, 1980, No. 289, eff. 2-1-80.

ILHR 62.61 Speed limit. In every outdoor theater, notices of a permanent character shall be prominently displayed designating the maximum speed limit permitted for cars driven within the area. Parking lights shall be used when cars are moving in the theater enclosure.

History: Cr. Register, January, 1980, No. 289, eff. 2-1-80.

ILHR 62.62 Running of engines. At each performance, an instructive trailer shall be shown on the screen informing the patrons of the danger of carbon monoxide poisoning when the engine is running and stating that when it becomes necessary to run the engine, the windows of the vehicle should be opened at least one inch.

History: Cr. Register, January, 1980, No. 289, eff. 2-1-80.

Subchapter V — Assembly Seating Facilities

ILHR 62.70 Scope. The requirements of this subchapter apply to all assembly seating facilities and stadiums intended primarily to support persons for the purpose of spectator seating.

History: Cr. Register, December, 1981, No. 312, eff. 1-1-82; am., Register, August, 1993, No. 452, eff. 3-1-94.

ILHR 62.71 Approval and supervision. (1) APPROVAL OF PLANS. Plans and specifications shall be submitted to the department in accordance with the applicable provisions of ch. ILHR 50. The following information shall also be included with each submittal:

(a) A plot plan for outdoor seating facilities showing location of facility relative to property lines and adjacent buildings or structures on the same premises; or a floor plan for indoor seating facilities showing location of seating relative to all required exits, aisles and passageways;

(b) Location and size of all structural members, seating area and number of seats, aisles and guardrail assemblies and number and spacing of all rows; and

(c) Structural calculations or a test report made by an independent testing agency and certified by a Wisconsin registered architect or engineer showing that the dead and live load in the open or partially open position and dead load in the closed position can be safely carried by the supporting structure.

1. Exception. The information specified in this paragraph need not be submitted if the seating facility has been granted a materials approval as specified in sub. (2).

(2) **APPROVAL OF DESIGN.** The design of each type or model of a seating facility may be approved by the department prior to installation for designs that are structurally repetitive in nature.

Note: See s. ILHR 50.19 for further information.

(3) **INSTALLATION SUPERVISION.** (a) The installation of all permanent seating facilities having more than 5 rows in height shall be erected under the supervision of a Wisconsin registered architect or engineer.

(b) Every temporary seating facility shall be inspected for proper erection in accordance with the manufacturer's instructions prior to initial public occupancy.

History: Cr. Register, December, 1981, No. 312, eff. 1-1-82.

ILHR 62.72 Inspection and maintenance. Every seating facility shall be inspected at least annually. Any loose connections, defective or broken members shall be repaired before the facility is used. All repairs and maintenance shall conform with the provisions of chs. ILHR 50-

64.

History: Cr. Register, December, 1981, No. 312, eff. 1-1-82.

ILHR 62.73 Design loads. (1) DEAD LOADS. All seating facilities shall be designed and constructed to support the actual dead weight of all component members.

(2) **LIVE LOADS.** All seating facilities shall be designed and constructed to support the superimposed minimum live loads specified in Table 62.73. In every case where the live load is greater than the minimum, the actual load shall be used. The most severe distribution, concentration and combination of design loads and forces shall be taken into consideration.

TABLE 62.73

MINIMUM STRUCTURAL LOADINGS

Component or Load Orientation	Load*
Vertical loads:	
Seating structure with load applied over the horizontal projected area	100 PSF
Seats and footboards	120 PLF
Seating platforms	100 PSF
Nonseating areas, such as aisles and passageways	100 PSF
Sway loads in combination with vertical loads:	
Acting parallel to seating	24 PLF
Acting normal to seating, such as front to rear and rear to front	10 PLF
Wind loads in combination with live, dead and sway loads:	
Vertical projected area when occupied	15 PSF
Vertical projected area when unoccupied	30 PSF
Guardrail loads:	
All rail members with load acting vertically and horizontally	50 PLF
Floor and ground loadings:	
Floors supporting seating facilities	See Table 53-I
Ground supporting seating facilities	See ch. ILHR 53-Part II

* PSF = Pounds per square foot; PLF = Pounds per linear foot

(3) **PARTIAL LOADING.** (a) Except as provided in par. (b), structural members in which the stresses are greater under a partial loading than under full loading shall be designed to meet the conditions of greatest stress.

(b) Allowable stresses due to dead and live loads combined with either the wind or sway load or both, may be increased 33% provided the structural capacity of the component used is not less than that required for dead and live loads alone.

(4) **ANCHORAGE LOADS.** Folding or telescoping seating facilities that are attached to a floor or wall shall be anchored to withstand all impact loads in addition to the required live and dead loads.

(5) **STRUCTURAL MEMBER OMISSION.** All seating facilities shall be designed and manufactured so that if any structural member essential to the strength and stability of the structure is omitted during erection, the absence of such unused member will be self-evident.

(6) **FOUNDATIONS, BASE PLATES AND MUDSILLS.** (a) Where provided, foundations for seating facilities shall comply with the requirements of ch. ILHR 53, Part II.

(b) Mudsills of approved material sized to prevent settlement shall be provided when seating facilities rest directly on the ground. All bearing surfaces between mud-

ILHR 62.73

sills and base plates shall be in full contact with each other.

History: Cr. Register, December, 1981, No. 312, eff. 1-1-82.

ILHR 62.74 Construction requirements. (1) AREA LIMITATIONS. (a) *Combustible construction.* Seating facilities constructed entirely of combustible construction shall not exceed 10,000 square feet in ground area or 200 feet in length.

(b) *Partially noncombustible construction.* Seating facilities shall not exceed 20,000 square feet in ground area or 400 feet in length when constructed of any of the following:

1. Noncombustible framing and combustible seatboards or footboards;
2. Entirely of fire retardant treated wood; or
3. Entirely of members conforming to dimensions for heavy timber construction as specified in s. ILHR 51.03 (4).

(c) *Noncombustible construction.* Seating facilities constructed of totally noncombustible construction shall not be limited in ground area or length.

(2) HEIGHT LIMITATION. (a) *Combustible construction.* Seating facilities constructed entirely of combustible materials shall not exceed 20 feet above the ground or floor.

(b) *Noncombustible construction.* Seating facilities constructed of totally or partially noncombustible construction shall not be limited in height.

(c) *Within tents.* The highest level of seat platforms of any portable seating facility within a tent shall not exceed 12 feet above the ground or floor.

(d) *Folding or telescoping.* The highest level of seat platforms of any folding or telescoping seating facility not attached to a wall shall not exceed 12 rows or 11 feet above the floor, whichever is lower.

(3) CLEARANCE LIMITATIONS. A minimum of 7 feet vertical clearance shall be provided between any platform, seatboard or footboard and any ceiling or projection beneath the ceiling.

(4) LOCATION AND SETBACK. Outdoor seating facilities shall be located at least 10 feet from any other building or adjoining property line unless the exterior walls of such adjacent building are of one-hour fire-resistive construction or better and all openings therein are protected with fire-resistive doors and windows as specified in ss. ILHR 51.047 and 51.048.

(5) BARRIER-FREE REQUIREMENTS. Permanent, elevated seating facilities such as bleachers and grandstands shall provide accessible seating in accordance with the applicable requirements in ch. ILHR 69.

History: Cr. Register, December, 1981, No. 312, eff. 1-1-82; r. and recr. (5), Register, November, 1994, No. 467, 12-1-94.

ILHR 62.75 Means of egress. (1) TYPE OF EXITS. (a) Except as provided in par. (b), all required exits from any part of a seating facility shall be doorways, stairways or ramps conforming to the requirements specified in ss. ILHR 55.08 through 55.10.

(b) Doorways, stairways and ramps are not required for assembly seating facilities when aisles are not required.

(2) NUMBER OF EXITS. (a) *Outdoor seating.* Every outdoor seating facility, and every balcony or tier considered separately, shall be provided with at least 2 exits located as remote from each other as practicable and leading directly to the outside at grade. If the capacity of any such facility, balcony or tier exceeds 1,000 persons, there shall be at least 3 exits and where the capacity exceeds 4,000 persons, there shall be at least 4 exits.

(b) *Indoor seating.* The number of exits for every indoor seating facility shall comply with the requirements as specified in s. ILHR 55.07.

(3) DISTANCE TO EXITS. Exits shall be distributed uniformly to prevent congestion and shall be so located that the line of travel to an exit or to a street, alley or open court is not greater than 150 feet.

(4) AGGREGATE WIDTH OF EXITS. (a) *Outdoor seating.* The total clear width of exits from any outdoor seating facility shall be not less than 22 inches for each 500 persons, or fraction thereof.

(b) *Indoor seating.* The total clear width of exits off of any indoor seating facility shall be not less than 22 inches per 100 persons, or fraction thereof. The required exit width of the room and building shall be determined under the specific occupancy chapter and s. ILHR 51.15.

(5) EXIT LIGHTS AND SIGNS. Exit lights and signs shall comply with the requirements as specified in s. ILHR 55.11.

(6) AISLES REQUIRED. (a) Except as provided in par. (b), aisles shall be required in all seating facilities.

(b) Aisles may be omitted provided all of the following conditions exist:

1. Seats are without backrests;
2. The rise between rows does not exceed 12 inches;
3. The number of rows does not exceed 20 for outdoor seating facilities or 16 for indoor seating facilities;
4. The row spacing does not exceed 28 inches; and
5. The first seatboard is not more than 20 inches above the ground or floor.

(7) AISLE WIDTH. Aisles having seats on both sides shall be not less than 42 inches in width and aisles having seats on one side only shall be not less than 36 inches wide.

(8) AISLE LOCATION. (a) *Outdoor seating.* For seating not within a building, the number of seats between any seat and an aisle shall not be greater than 20 when the seats are without backrests and 11 when the seats have backrests.

(b) *Indoor seating.* Except as provided in par. (c), the number of seats between any seat and an aisle for seating within a building, shall not be greater than 9 when the seats are without backrests and 6 when the seats have backrests.

(c) *Continental seating.* The number of seats between any seat and an aisle may be increased to 49 where:

1. A minimum unobstructed passage of 22 inches is provided between rows of unoccupied seats; and

2. The unobstructed passage between rows leads to a side aisle on each end of the rows where exit doors are located at no more than 20 foot intervals leading to an exit corridor or exit court.

(9) **CROSS AISLES.** Where provided, aisles parallel to the seat rows shall be not less than 48 inches in width.

(10) **UNOBSTRUCTED MEANS OF EGRESS.** No aisle, stair, door or other way of ingress or egress shall be obstructed in any manner while the seating facility is occupied by the public.

History: Cr. Register, December, 1981, No. 312, eff. 1-1-82; am. (4) (b), Register, January, 1994, No. 457, eff. 2-1-94.

ILHR 62.76 Seating. (1) **SEATING ARRANGEMENTS.** A minimum 12-inch spacing shall be provided between the back of each seat and the front of the seat immediately behind it. The seating arrangement shall comply with the spacing requirements specified in Table 62.76. Where the same level is used for both seats and footrests, the width of this level shall be not less than 26 inches.

TABLE 62.76

ROW SPACING REQUIREMENTS

Type of Seating	Minimum Back-to-Back Spacing ¹ (Inches)
Seats without backrests	22
Seats with backrests	30
Chair seating	32

¹All measurements are taken between plumb lines.

(2) **FOOTRESTS.** Where the same level is not used for both seatboard and footboard, independent footrests shall be provided.

(3) **SEATBOARDS AND FOOTBOARDS.** (a) Seatboards and footboards (footrests) shall have a minimum width of 9 inches.

(b) All seatboards and footboards shall be fastened in place in such a manner that they cannot be accidentally displaced.

(4) **SEAT OCCUPANT WIDTH.** The seating capacity shall be established by allowing one sitting or seat to each 18 inches of length.

(5) **RISE BETWEEN ROWS.** The maximum rise between seat rows shall not exceed 16 inches unless the horizontal row spacing is 40 inches or more.

(6) **STEPS.** Where the rise between rows exceeds 12 inches, intermediate steps shall be provided the full width of the aisles. Such steps shall have a uniform rise of not more than 8 inches and a tread of not less than 10 inches in width. In no case shall the angle of seating exceed 45 degrees.

(7) **OPENINGS.** The design of the seatboards and footboards shall be such that a sphere with a diameter larger than 9 inches will not pass from the seating area to the area beneath the seating where seatboards are more than 5 rows above the ground or floor.

History: Cr. Register, December, 1981, No. 312, eff. 1-1-82.

ILHR 62.77 Guardrails. (1) **FRONT RAIL.** Where the front footrest or cross aisle is more than 2 feet above the ground

or floor, a guardrail with a midrail shall be provided at the front of such footrest or cross aisle.

(a) *At front footrest.* When required, the rail at the front footrest shall be not less than 30 inches in height.

(b) *At front cross aisle.* When required, the rail at the front cross aisle shall be not less than 36 inches in height.

(2) **BACK AND SIDE RAILS.** (a) Except as provided in par. (b), a guardrail not less than 42 inches in height above the aisle surface or footrest or above the center of the seatboard surface, whichever is adjacent, shall be provided along the back and sides of seating where the seats are more than 4½ feet above the ground or floor.

(b) When a wall or fence is within 6 inches of seating and affords protection equivalent to that required under par (a), guardrails may be omitted.

(3) **OPENINGS BELOW TOP RAIL.** All back, side and front cross aisle guardrails shall have intermediate rails or an ornamental pattern between the footboard or cross aisle and the top rail to prevent the passage of a sphere with a diameter larger than 6 inches.

(4) **CROSS AISLE RAIL.** A guardrail not less than 30 inches in height with a midrail shall be provided along the front edge of cross aisles where the backs of the seats in front of the cross aisle are less than 24 inches above the cross aisle surface.

(5) **LOADING.** All guardrails shall be designed and constructed to withstand a vertical and horizontal load of 50 pounds per linear foot. Loads need not be applied simultaneously.

History: Cr. Register, December, 1981, No. 312, eff. 1-1-82; am. (3), Register, January, 1994, No. 457, eff. 2-1-94.

ILHR 62.78 Isolation of hazards. (1) **GENERAL.** (a) Except as provided in par. (b), all fuel-fired heating boilers and furnaces, power boilers, fuel rooms and breeching, storage vaults for paints, oils, and similar combustibles and other similar hazards in a seating facility shall be isolated from the rest of the seating facility by at least 2-hour fire-resistive construction as specified in ss. ILHR 51.04 to 51.049.

(b) Direct vent sealed combustion chamber appliances and suspended heating equipment as specified in Table 64.21 need not be enclosed with fire-resistive rated construction as specified in par. (a).

Note: See ch. ILHR 10, for isolation of flammable and combustible liquids.

(2) **PROTECTION OF OPENINGS.** All openings shall be protected with self-closing fire-resistive doors as specified in s. ILHR 51.047.

History: Cr. Register, December, 1981, No. 312, eff. 1-1-82; r. and recr., Register, August, 1985, No. 356, eff. 1-1-86.

ILHR 62.79 Sanitary facilities. (1) **TOILET ROOMS.** All spectator assembly facilities shall be provided with toilet rooms and sanitary fixtures as specified in s. ILHR 55.32. Toilet room construction and equipment shall comply with the requirements as specified in ss. ILHR 52.50 through 52.64.

(2) **SANITARY FIXTURES.** In determining the number of sanitary fixtures required for spectator assembly facilities

Register, January, 1994, No. 457

ILHR 62.79

under this subchapter, the capacity shall be considered equally divided between men and women. The number of sanitary fixtures shall be determined using Table 52.32-A but not less than the number determined from Table 52.32-B.

(3) ACCESSIBILITY. Where toilet rooms are provided for the public and are located that the patrons must cross a ramp area in order to reach the toilet rooms, a suitable approach or passageway leading thereto shall be maintained. Such passageways shall be properly lighted and unobstructed access shall be provided.

History: Cr. Register, December, 1981, No. 312, eff. 1-1-82; am. (1), cr. (2) (3), Register, August, 1993, No. 452, eff. 3-1-94.

ILHR 62.80 Illumination and emergency lighting. Illumination and emergency lighting of seating facilities shall comply with the provisions as specified in chs. ILHR 16 and Ind 19.

History: Cr. Register, December, 1981, No. 312, eff. 1-1-82.

ILHR 62.81 Fire prevention. (1) FLAMMABLE MATERIALS. (a) Except as provided in par. (b), the space under a seating facility shall be kept free from flammable materials and shall not be occupied or used for other than exit purposes.

(b) The space under a seating facility may be used for nonhazardous purposes provided the use is approved in writing by the department and the area is enclosed with at least one-hour fire-resistive rated construction.

(2) COMBUSTIBLE AND FLAMMABLE LIQUIDS. Combustible and flammable liquids shall be isolated in accordance with ch. ILHR 10.

History: Cr. Register, December, 1981, No. 312, eff. 1-1-82; cr. (2), Register, March, 1991, No. 423, eff. 4-1-91.

Subchapter VI — Greenhouses

ILHR 62.90 Scope. (1) GENERAL. The requirements of this subchapter shall apply to all permanent greenhouses, including free standing, attached and lean-to greenhouses.

Note: See s. ILHR 62.10 (4) for definition of term "permanent".

(2) LIMITATIONS. The requirements of this subchapter do not apply to temporary greenhouses, cold frames and shade covers; solar domes; skylights; greenhouse type structures not used for cultivating plant life; and production greenhouses used as farm operations as specified in s. 102.04 (3), Stats.

History: Cr. Register, December, 1983, No. 336, eff. 1-1-84.

ILHR 62.91 Classifications. Greenhouses shall be classified as production greenhouses or mercantile or teaching greenhouses as follows:

(1) PRODUCTION GREENHOUSES. Production greenhouses are used for growing plant life on a production basis or for research and public access is restricted.

(2) MERCANTILE OR TEACHING GREENHOUSES. Mercantile or teaching greenhouses are used for growing plant life for direct sale or for research, and public access for the purpose of viewing or purchasing the various products is permitted.

Register, January, 1994, No. 457

Note: Examples of mercantile or teaching greenhouses include but are not limited to nursery greenhouses and greenhouses used by colleges or universities for teaching purposes.

History: Cr. Register, December, 1983, No. 336, eff. 1-1-84.

ILHR 62.92 Construction. (1) FRAME. Greenhouse frames shall be constructed of concrete, corrosive-resistant metals, heavy timber or fire-retardant treated wood or other approved materials.

(2) LIGHT-TRANSMITTING PANEL. Greenhouse roof coverings, exterior walls or interior partitions of glass or approved light-transmitting plastic glazing materials having a minimum of CC 2 rating as specified in s. ILHR 51.065 (1) (b) 1. may be used without limitation.

History: Cr. Register, December, 1983, No. 336, eff. 1-1-84.

ILHR 62.93 Separations. (1) NONCOMBUSTIBLE CONSTRUCTION. Greenhouses of noncombustible construction need not be separated from any other occupancy or from any building of a different class of construction.

(2) COMBUSTIBLE CONSTRUCTION. (a) Greenhouses of combustible construction shall be separated from any other occupancy or from all buildings of a different class of construction by at least 2-hour fire rated construction as specified in ss. ILHR 51.04 to 51.046.

(b) All openings in the fire rated construction shall be protected by self-closing, fire-resistive doors as specified in s. ILHR 51.047.

History: Cr. Register, December, 1983, No. 336, eff. 1-1-84.

ILHR 62.94 Height and allowable area. (1) HEIGHT. Greenhouses shall be of one story design only.

(2) ALLOWABLE AREA. (a) 1. Except as provided in subd. 2., the area of mercantile or teaching greenhouses and production greenhouses shall comply with the requirements of s. ILHR 54.01 for the class of construction utilized.

2. The area of production greenhouses may be unlimited if the building is entirely surrounded and adjoined by public space, street or yards not less than 60 feet in width.

3. Air inflated films may be used over a greenhouse of noncombustible construction without affecting the class of construction of the greenhouse.

Note: Typical greenhouse construction satisfies either type 6-metal frame unprotected or type 8-wood frame unprotected construction. Type 6 construction greenhouses consist of metal or other noncombustible material framing and glass covering. Type 8 construction greenhouses consist of wood or other combustible material framing or utilize light-transmitting plastic covering.

History: Cr. Register, December, 1983, No. 336, eff. 1-1-84.

ILHR 62.95 Exits. (1) NUMBER OF EXITS. (a) Except as provided in par. (b), every greenhouse shall have at least 2 exits.

(b) Greenhouses with 3,000 or less square feet gross floor area may have one exit.

(2) EXIT DISTRIBUTION. (a) Exits shall be distributed or located so that no part of any greenhouse will be more than 150 feet distant from an exit.

(b) Where an approved automatic fire sprinkler system is provided throughout the greenhouse, the exit distance may be increased to 300 feet.

(3) **TYPE OF EXITS.** (a) In production greenhouses, at least one-half of the exits required by this section shall be standard exit doors to grade. The other exits may be sliding doors.

(b) In mercantile or teaching greenhouses, the required exits shall be standard exits to grade as specified in s. ILHR 51.15.

History: Cr. Register, December, 1983, No. 336, eff. 1-1-84; emerg. am. (2) (b), eff. 9-6-86; am. (2) (b), Register, November, 1986, No. 371, eff. 12-1-86.

ILHR 62.96 Design loads. (1) DEAD LOADS. In addition to normal dead loads as described in s. ILHR 53.10, special consideration shall be given to any permanent loads such as, but not limited to, hanging baskets, planters and similar items, that are to be supported by structural members for a continuous period of 30 days or more, and the loads shall be included as part of the dead load.

(2) **CONCENTRATED LOADS.** (a) All roof members, such as but not limited to, purlins, rafters and truss top members, shall be capable of safely supporting a minimum concentrated live load of 100 pounds applied downward and normal to the roof surface at their midspan. In addition, each bottom chord panel point of the roof trusses shall be capable of safely supporting a minimum concentrated live load of 100 pounds.

(b) Maximum allowable deflection for structural members of greenhouses may not exceed 1/120 of span.

(3) **ROOF LOADS.** (a) *Definitions.* The following definitions apply only to the provisions of this section:

1. "Thermal resistance (R)" means a factor which measures the resistance of a material to the transmission of heat.

Note: The smaller the R value, the greater the amount of heat a material will transmit.

2. "Continuously heated single glazed greenhouse" means a single glazed greenhouse which has a constantly maintained interior temperature of at least 50°F., measured at 3 feet above the floor surface, a maintenance attendant is on duty at all times or the greenhouse is equipped with a temperature alarm system to provide warning in the event of a heating system failure and the roof material has a total thermal resistance of less than 1.0.

Note: Air inflated double film greenhouse roof materials and air inflated double film over rigid light-transmitting material satisfy the intent of this definition.

3. "Continuously heated double glazed greenhouse" means a double glazed greenhouse which meets the requirements specified in subd. 2. except that the roof material may have a total thermal resistance of greater than 1.0, but less than 2.0.

4. "Intermittently heated or unheated greenhouse" means any greenhouse that does not meet the requirements specified in subd. 2. or 3.

(b) *Roof loads.* 1. Except as specified in subd. 3., roof structural members subject to snow accumulation shall be designed for the following roof load distributions:

THERMAL CONDITION	MINIMUM ROOF LOAD
Continuously heated single glazed greenhouse	15 Pounds Per Square Foot
Continuously heated double glazed greenhouse	20 Pounds Per Square Foot
Intermittently heated or unheated greenhouse	See s. ILHR 53.11 (4) (a)

2. The minimum roof load shall be distributed over the entire area and shall be applied to the horizontal projection of the roof.

3. Free-standing, single glazed, Quonset-type greenhouses not over 4,500 square feet gross ground area shall be designed for a minimum roof load of 10 pounds per square foot.

(c) *Heat transfer barriers.* Heat transfer barriers installed in the interior of the greenhouse may be used in winter months if they are automatically or manually retractable with a 20 minute time period. Permanent heat transfer barriers may not be used.

(d) *Wind loads.* Except as provided in subds. 1. and 2., greenhouses shall be designed to withstand the wind loads specified in s. ILHR 53.12.

1. Greenhouses with a maximum height of 30 feet shall be designed to resist a minimum of total wind load of 15 pounds per square foot.

2. Quonset-type greenhouses not over 15 feet in height shall be designed to resist a minimum total wind load of 10 pounds per square foot.

History: Cr. Register, December, 1983, No. 336, eff. 1-1-84; am. (3) (b) 2., Register, January, 1994, No. 457, eff. 2-1-94.

ILHR 62.965 Isolation of hazards. (1) GENERAL. All fuel-fired heating boilers and furnaces, power boilers, breeching, fuel rooms, storage vaults for paints, oils, and similar combustibles and other similar hazards in a building shall be isolated from the rest of the building by at least a 2-hour fire-resistive enclosure, except that:

(a) In buildings which are not more than 2 stories in height and which have a floor area of not more than 3,000 square feet per floor, a 1-hour fire-resistive enclosure or better, may be provided;

(b) The rated enclosure for heating equipment in greenhouses may be omitted if the burner of the equipment is located at least 7 feet off the floor and the equipment is protected from physical damage;

(c) Direct vent sealed combustion chamber appliances need not be enclosed with fire-resistive rated construction; and

Note: See s. ILHR 64.21 for additional requirements.

(d) Boilers up to 200,000 Btu input, water heaters up to 200,000 Btu input, and gas- and liquid fuel-fired heating equipment may be used without an enclosure, provided:

1. The units are located at least 7 feet above the floor; and

2. The blow-off pipe for suspended boilers and water heaters is extended down to within 6 inches of the floor.

ILHR 62.965

(2) **PROTECTION OF OPENINGS.** All openings shall be protected with self-closing fire-resistive doors as specified in s. ILHR 51.047.

Note: See ch. ILHR 10 for isolation of flammable and combustible liquids.

History: Cr. Register, March, 1991, No. 423, eff. 4-1-91.

Subchapter VII — Pedestrian Access Structures Connecting Buildings

ILHR 62.97 Scope. The requirements of this subchapter shall apply to all structures used as pedestrian access corridors or walkways between buildings or structures.

History: Cr. Register, August, 1985, No. 356, eff. 1-1-86.

ILHR 62.98 General requirements. (1) CONSTRUCTION. All pedestrian access structures shall be of one of the following classes of construction as specified in s. ILHR 51.03:

(a) Structures of 4 stories or less, where the open space below elevated structures is counted as a story, shall be of Type 6 construction, or better, and shall be of totally noncombustible construction. "Totally noncombustible construction" in this usage includes but is not limited to compliance with the following subdivisions:

1. Any class A roof may be used if the pedestrian access structure is protected by an automatic sprinkler system as specified in s. ILHR 51.23 and the buildings or structures connected to the pedestrian access structure are of Type 6 construction or better.

2. Wall panels consisting of a foam plastic core covered with metal, and complying with the provisions of s. ILHR 51.06 (4) (b) 2. b., may be used if the pedestrian access structure is protected by an automatic sprinkler system as specified in s. ILHR 51.23 and the buildings or structures connected to the pedestrian access structure are of Type 6 construction or better.

3. Wall and ceiling finishes with a Class A rating and floor finish material with a Class I rating, as specified in s. ILHR 51.07, may be used if the pedestrian access structure is protected by an automatic sprinkler system as specified in s. ILHR 51.23.

(b) 1. Except as provided in subd. 2., structures of 5 stories, where the space below elevated structures is counted as a story, shall be of Type 3 construction, or better.

2. Supporting columns in the space beneath elevated structures may be of noncombustible 0-hour rated construction.

(c) 1. Except as provided in subd. 2., structures of 6 or more stories, where the space below elevated structures is counted as a story, shall be of Type 2 construction, or better.

2. Supporting columns in the space beneath elevated structures may be of noncombustible 0-hour rated construction.

(2) **FLOORS.** (a) Except as provided in par. (b), floor systems separating pedestrian walkway levels shall be of noncombustible one-hour rated construction or better.

Register, January, 1994, No. 457

(b) The floor system between the lowest pedestrian level and the space below an elevated structure may be of noncombustible 0-hour rated construction.

(3) **SEPARATIONS.** The pedestrian access structure shall be separated from any building to which it is connected as follows:

(a) 1. Except as provided in subd. 2., the wall of the building within the structure separating the structure from the building shall be of at least 2-hour rated construction.

2. The wall separating the structure from the building need not be of hourly-rated construction provided the structure is more than 20 feet long and all side walls of the structure be open to the atmosphere with the area of the opening being equal to or exceeding 30% of the side wall area.

(b) 1. Except as provided in subd. 2., openings in the wall separating the structure from the building shall be protected with 1½-hour rated fire door assemblies equipped with self-closing devices activated by products of combustion detectors which respond to products of combustion other than heat.

2. a. The opening may be protected with an open head water deluge curtain activated by a products of combustion detector which responds to products of combustion other than heat, in conjunction with solid doors equipped with self-closing devices activated by the water deluge curtain detector.

b. The protection of openings in the wall separating the structure from the building may be omitted provided the structure is more than 20 feet long and all side walls of the structure be open to the atmosphere with the area of the opening being equal to or exceeding 30% of the side wall area.

(4) **SEPARATION EQUIVALENCIES.** Pedestrian access structures complying with this subchapter may be utilized as division walls, party walls, class of construction separations and occupancy separations.

(5) **EXTERIOR PROTECTION.** (a) Where the sidewalls of a pedestrian access structure are within 10 feet horizontally of a wall opening of the connected or an adjacent building, the wall opening shall be protected by at least a ¾-hour fire-resistive rated door or window assembly, or the sidewalls of the structure shall be of at least noncombustible one-hour rated construction for a distance of at least 10 feet from the opening or the wall of the connected building.

(b) 1. Except as provided in subd. 2., all wall openings of a connected building directly below or below and within 10 feet horizontally of the pedestrian access structure shall be protected by at least ¾-hour rated fire door or fire window assemblies or the lower floor of the structure shall be of at least noncombustible one-hour rated construction for a distance of at least 20 feet from the wall of the connected building.

2. The fire resistive rated construction and protection of openings specified in subd. 1. may be omitted provided the pedestrian access structure is protected by a complete automatic fire sprinkler system.

(6) **LOT LINES.** Pedestrian access structures which are constructed over lot lines and connecting buildings with different owners shall conform with subs. (3) and (4).

(7) **FIRE DEPARTMENT ACCESS.** (a) Except as provided in par. (b), fire department access openings as specified in s. ILHR 52.02 (2) shall be provided on each level of the pedestrian access structure.

(b) Fire department access openings may be omitted in structures protected by a complete automatic fire sprinkler system.

History: Cr. Register, August, 1985, No. 356, eff. 1-1-86; r. and recr. (5), Register, March, 1991, No. 423, eff. 4-1-91; r. and recr. (1) (a), renum. (4) to (6) to be (5) to (7) and am. (5) (a), cr. (4), Register, January, 1994, No. 457, eff. 2-1-94.

ILHR 62.99 Exiting. (1) NUMBER OF EXITS. (a) Except as provided in sub. (3), every pedestrian access structure, and every level, other than the open space below the structure, shall be provided with at least one exit.

(2) **TYPE OF EXITS.** (a) Except as provided in par. (b), the exit specified in sub. (1) from the pedestrian access structure shall be an exit door to grade, a stairway to grade constructed as specified in s. ILHR 51.16, or a fire escape to grade constructed as specified in s. ILHR 51.20.

(b) 1. Open stairways or fire escapes may not be used as an exit for any level more than 55 feet above grade.

2. Type "A" fire escapes may terminate on a platform at least 3 feet long, located not more than 10 feet above grade.

(3) **EXCEPTIONS.** The exit specified in sub. (1) from the pedestrian access structure may be omitted providing:

(a) The doors connecting the structure and the building are equipped with exit hardware such that a person can pass from the structure into the building; or

(b) The doors connecting the structure and the building are equipped with hardware that requires a key to pass from the building onto the structure, and that key will also open the door allowing passage from the structure back into the building.

(4) **EXIT DISTANCE.** (a) Except as provided in par. (b), exits shall be distributed or located so that no part of the pedestrian access structure will be more than 200 feet distance from an exit.

(b) Where approved automatic fire sprinklers are provided throughout the pedestrian access structure, an increase in exit distance to 300 feet will be permitted.

History: Cr. Register, August, 1985, No. 356, eff. 1-1-86.

ILHR 62.991 Special requirements. (1) PERMITTED USE. Pedestrian access structures may not be used for purposes other than pedestrian walkways.

(2) **HEATING AND VENTILATING.** (a) Pedestrian access structures need not be heated but shall be provided with ventilation as specified in s. ILHR 64.05 for shopping mall corridor areas.

(b) If the pedestrian access structure is to be heated, the structure shall comply with the provisions of ch. ILHR 63 based upon the inside design temperature utilized.

(3) **STRUCTURAL.** (a) The floor of the pedestrian access structure shall be designed and constructed for the actual loading, but in no case shall the design live load be less than 100 pounds per square foot.

(b) The roof of the pedestrian access structure shall be designed and constructed in accordance with the provisions of s. ILHR 53.11 (4).

(c) The pedestrian access structure shall be designed and constructed to withstand the wind loads specified in s. ILHR 53.12.

(d) Elevated pedestrian access structures shall be designed as bridges, including design factors for sway, sympathetic vibration and deflection.

History: Cr. Register, August, 1985, No. 356, eff. 1-1-86.

Subchapter VIII — Amusement Facility & Specialty Event Centers

ILHR 62.992 Specialty event centers. (1) APPLICATION. Specialty event centers are assembly halls or places of assembly which include, but are not limited to stadiums, zoos, state or local parks, amusement or theme parks or facilities, state fair grounds, county or local fairgrounds, and specialty event centers.

(2) **SANITARY FACILITIES.** A sufficient number of permanent or temporary sanitary facilities shall be provided as determined from Table 55.32, but in no case shall the ratio of the number of fixtures to the number of occupants or capacity be less than those specified in Table 54.12-A. The total capacity shall be considered equally divided between men and women unless a different ratio is established and submitted to the department.

History: Cr. Register, August, 1993, No. 452, eff. 3-1-94.

Subchapter IX — Mini-Storage Buildings

ILHR 62.995 Mini-storage buildings. (1) SCOPE. This subchapter provides the minimum requirements for the design and construction of mini-storage buildings.

(2) **HEIGHT, AREA AND CLASS OF CONSTRUCTION.** Mini-storage buildings shall be limited to one story and shall not exceed the class of construction and the corresponding area limitations of Table 59.12-1 or 59.12-2 for one story storage garages.

(3) **COMPARTMENTALIZATION.** Mini-storage buildings shall be divided into areas not greater than 3,000 square feet by 2-hour fire-resistive walls extending from the noncombustible floor to the underside of the roof deck.

(4) **CONTENTS.** Mini-storage buildings may be utilized for low or moderate hazard material and motor vehicle storage. Storage of high hazard material is prohibited. Uses other than for storage are prohibited except that a rental or manager's office for the storage facility may be provided, subject to the provisions of ch. ILHR 54.

Note: See s. A52.011 of Appendix A for further explanatory material.

(5) **NUMBER AND LOCATION OF EXITS.** (a) Each compartment of a mini-storage building shall be provided with at least one standard exit or overhead door to the outside.

ILHR 62.995

(b) One exit is permitted from a mezzanine floor level, provided the mezzanine is:

1. Open on at least one side to the floor below;
2. Not more than 12 feet above the floor below; and
3. Served by a stairway as specified in s. ILHR 51.16, except that the stairway width may be reduced to 3 feet 0 inches.

(c) Exits shall be provided and distributed as follows:

1. No area of a mini-storage building may be more than 100 feet from an exit, unless the entire building is protected by an automatic sprinkler system.

2. No area of a mini-storage building entirely protected by an automatic fire sprinkler system may be more than 200 feet from an exit.

(6) ISOLATION OF HAZARDS. Hazardous areas shall be isolated in accordance with s. ILHR 54.14.

History: Cr. Register, January, 1994, No. 457, eff. 2-1-94.

Chapter ILHR 63

ENERGY CONSERVATION

Subchapter I — Scope and Purpose

- ILHR 63.001 Scope
- ILHR 63.002 Purpose
- ILHR 63.01 Plans and specifications

Subchapter II — Definitions

- ILHR 63.02 Definitions

Subchapter III — Design Conditions

- ILHR 63.10 Scope
- ILHR 63.11 General requirements
- ILHR 63.12 Design criteria

Subchapter IV — Heating and Air Conditioning Equipment and Systems

- ILHR 63.20 Equipment efficiencies
- ILHR 63.21 Controls
- ILHR 63.22 Insulation
- ILHR 63.23 Cooling with outdoor air in conjunction with mechanical cooling systems
- ILHR 63.24 Maintenance

Subchapter V — Water Heating

- ILHR 63.30 Purpose
- ILHR 63.31 Water heaters, storage tanks and boilers
- ILHR 63.32 Conservation of hot water
- ILHR 63.33 Insulation

Subchapter VI — Illumination and Electrical Systems

- ILHR 63.41 Lighting
- ILHR 63.42 Lighting control

Subchapter VII — Non-Depletable Energy Source

- ILHR 63.50 Buildings utilizing solar, geothermal, wind or other nondepletable energy source
- ILHR 63.51 Documentation

Subchapter VIII — System Analysis Design

- ILHR 63.60 Annual energy consumption
- ILHR 63.61 Simulation
- ILHR 63.62 Documentation

Note: Chapter Ind 63 was renumbered to be chapter ILHR 63 effective January 1, 1984.

Subchapter I — Scope and Purpose

ILHR 63.001 Scope. (1) **GENERAL.** The provisions of this chapter shall apply to all public buildings and places of employment. These provisions are not retroactive unless specifically stated in the administrative rule. Where different sections of this chapter specify different requirements, the most restrictive requirement shall govern.

(2) **EXEMPT BUILDINGS AND STRUCTURES.** Buildings and structures, or portions thereof, without space heating or cooling, service water heating, or illumination are exempt from the requirements of this chapter.

(3) **APPLICATIONS TO EXISTING BUILDINGS.** (a) Additions to existing buildings or structures may be made without making the entire building or structure comply, but the addition shall comply with the requirements of this chapter.

(b) Any change of occupancy or use of any existing building or structure within the scope of this chapter which would increase the energy consumption shall not be permitted unless such building or structure is made to comply with the requirements of this chapter.

(c) Heating and cooling equipment replacement and complete lighting system replacement shall comply with the requirements of this chapter.

Note: It is the intent of the department to have every new building or addition and every change of occupancy meet the energy conservation requirements of this chapter. It is not the intent to prevent a previously built building from installing air conditioning, nor to cause equipment with several years of remaining service to be discarded due to not being able to meet the required efficiencies of this chapter. However, occupancy changes such as building a warehouse and later remodeling it into an office space will not be permitted unless all the requirements of this chapter are met.

History: Cr. Register, May, 1978, No. 269, eff. 7-1-78, am. (2) and (3)(b), Register, January, 1980, No. 289, eff. 2-1-80; cr. (3) (c), Register, December, 1983, No. 336, eff. 1-1-84.

ILHR 63.002 Purpose. The purpose of this chapter is to provide design requirements which will promote efficient utilization of energy in public buildings and places of employment.

(1) **GENERAL.** The intent of this chapter is to provide minimum requirements for construction and equipment to conserve energy.

(2) **FLEXIBILITY IN USE.** It is intended that this chapter be flexible and permit the use of innovative approaches and techniques to achieve effective utilization of energy.

(3) **CONFLICT WITH OTHER RULES.** This chapter is not intended to conflict with any safety or health requirements. Where such conflict occurs, the safety and health requirements shall govern.

History: Cr. Register, May, 1978, No. 269, eff. 7-1-78.

ILHR 63.01 Plans and specifications. Architectural and mechanical plans and specifications shall be submitted in accordance with the requirements outlined in ss. ILHR 50.07 and 50.12 and shall contain details and data to demonstrate compliance with the requirements of this chapter. Such information shall include, but is not limited to: design criteria, exterior envelope component materials, resistance values of insulating materials, and the thermal performance value of the building envelope. Size and type of equipment, system and equipment controls and equipment efficiencies shall be submitted with the mechanical plans.

Note: The resistance values for insulating materials are expressed in Fahrenheit degrees per Btu/(hour)(square foot).

History: Cr. Register, May, 1978, No. 269, eff. 7-1-78; am. (1), Register, December, 1978, No. 276, eff. 1-1-79; r. and recr. (2), Register, January, 1980, No. 289, eff. 2-1-80; r. (2), renum. (1) to be ILHR 63.01, Register, December, 1985, No. 360, eff. 1-1-86.

Subchapter II — Definitions

ILHR 63.02 Definitions. (1) **COEFFICIENT OF PERFORMANCE (COP).** Coefficient of performance is the ratio of the

Register, January, 1994, No. 457

ILHR 63.02

rate of net heat removal for cooling or net heat output for heating to the rate of total energy input, expressed in consistent units and under standard rating conditions.

(2) **COOLING LOAD.** Cooling load is the rate at which heat must be removed from the space to maintain a selected indoor air temperature.

(3) **ENERGY.** Energy is the capacity for doing work; taking a number of forms which may be transformed from one into another, such as thermal (heat), mechanical (work), electrical, and chemical; in customary units, measured in kilowatt hours (kwh) or British thermal units (Btu).

(4) **ENERGY EFFICIENCY RATIO (EER).** The energy efficiency ratio is the ratio of net cooling capacity in Btu per hour to total rate of electric input in watts under designated operating conditions.

(5) **NONDEPLETABLE ENERGY SOURCES.** Nondepletable energy sources are sources of energy (excluding minerals) derived from incoming solar radiation, including photosynthetic processes; from phenomena resulting therefrom, including wind, waves and tides, lake or pond thermal differences; and energy derived from the internal heat of the earth, including nocturnal thermal exchanges.

(6) **RECOVERED ENERGY.** Recovered energy is the energy utilized which would otherwise be wasted from an energy utilization system.

(7) **SERVICE WATER HEATING.** Service water heating is the supply of hot water for domestic or commercial purposes other than comfort heating and processing.

(8) **THERMAL PERFORMANCE.** Thermal performance is the design heat loss, excluding infiltration and ventilation, through above-grade gross walls and roofs facing heated interiors.

(9) **ZONE.** A zone is a space or group of spaces within a building with heating or cooling requirements sufficiently similar so that comfort conditions can be maintained throughout by a single controlling device. As a minimum, each floor of a building shall be considered as a separate zone.

History: Cr. Register, May, 1978, No. 269, eff. 7-1-78; am. (2), Register, January, 1980, No. 289, eff. 2-1-80.

Subchapter III — Design Conditions

ILHR 63.10 Scope. The criteria of this part establish the minimum requirements for the thermal design of the exterior envelope of buildings and establish criteria for the design of the heating, ventilating and air-conditioning systems and their parts.

History: Cr. Register, May, 1978, No. 269, eff. 7-1-78.

ILHR 63.11 General requirements. (1) BUILDING USE. When a building houses more than one use, each portion of the building shall conform to the requirements for the use housed therein.

(2) **MOISTURE CONDENSATION.** The design of buildings for energy conservation shall not create conditions of accelerated deterioration from moisture condensation.

Note: The designer should consider the use of vapor barriers and ventilation to control condensation.

Register, January, 1994, No. 457

(3) **INFILTRATION. (a) Exterior openings.** The following openings, and all other similar openings in the exterior building envelopes, shall be caulked, gasketed, weather-stripped, or otherwise sealed:

1. Exterior joints around window and door frames;
2. Between wall cavities and window or door frames;
3. Between walls and floors;
4. Between separate wall panels; and
5. At penetrations of utility services through walls, floors and roofs.

(b) **All exterior windows and doors.** All exterior windows and doors shall be designed to limit air leakage into or from the building and shall be caulked, gasketed, weather-stripped or otherwise sealed.

(c) **Factory manufactured exterior windows and doors.** Factory manufactured exterior windows and doors shall be designed and manufactured to have a rate of infiltration equal to or less than the rates specified in Table 63.11.

TABLE 63.11

AIR INFILTRATION RATES FOR FACTORY MANUFACTURED EXTERIOR WINDOWS AND DOORS

Component	Infiltration Rate (Expressed in CFM/linear foot of perimeter crack of operable sash, unless otherwise specified)
Operable windows, prime	
Residential *	.30
All other occupancies	.15
Prehung, swing-type doors	.50
Glazed, sliding (patio type) doors	.50 CFM/ square foot of door area

* Residential occupancies include all ch. ILHR 57 residential occupancies including motels and hotels.

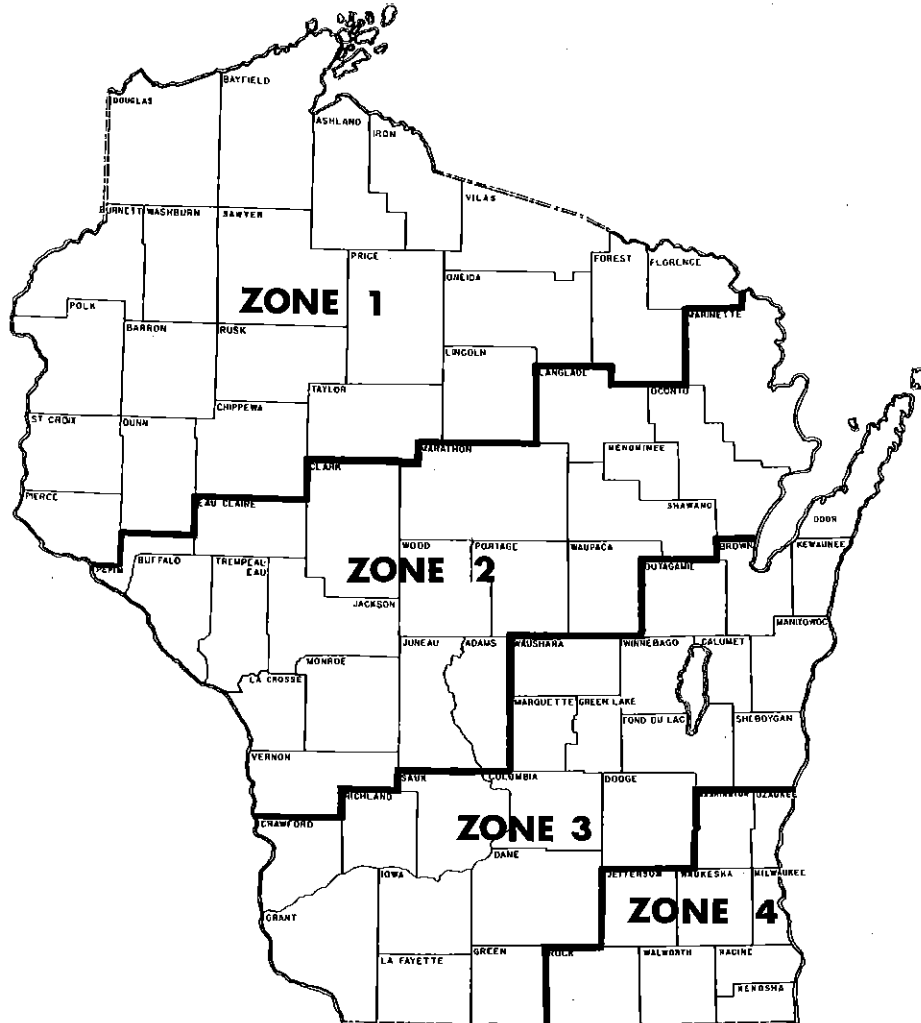
1. Compliance with the air infiltration rates specified in Table 63.11 shall be certified by an independent testing laboratory or a Wisconsin registered architect or professional engineer, using the criteria for air leakage specified in ASTM E 283, at a pressure differential of 1.567 pounds per square foot, which is equivalent to the effect of a 25-mile-per-hour wind.

Note: The term "factory manufactured" does not apply to units constructed or fabricated in the field or to units assembled from individual components at a lumber yard or building material center.

(4) **DESIGN TEMPERATURE DIFFERENTIALS. (a) Winter.** The winter design temperature differential shall be determined using the indoor design temperature as given in Table 1 of ch. ILHR 64 and the outdoor design temperature as given in Figure 1.

(b) **Summer.** The summer design temperature differential shall be determined using an indoor design temperature of 78° F. and the outdoor design temperature as given in Figure 1.

MAP OF WISCONSIN SHOWING DESIGN TEMPERATURE ZONES



Zone 1 -25° below zero F
 Zone 2 -20° below zero F
 Zone 3 -15° below zero F
 Zone 4 -10° below zero F

(5) PROHIBITION OF HEATED SIDEWALKS. The installation or use of heated sidewalks is prohibited as specified in s. 101.124, Stats.

Note: Section 101.124, Stats., reads as follows:

101.124 Heated Sidewalks Prohibited. *In this section "exterior pedestrian traffic surface" means any sidewalk, ramp, stair, stoop, step, entrance way, plaza or pedestrian bridge not fully enclosed within a building and "heated" means heated by electricity or energy derived from the combustion of fossil fuels, but not including the use of waste thermal energy. "Exterior pedestrian traffic surface" does not include any means of ingress and egress by the physically disabled required under s. 101.13 (2). No person may construct a heated exterior pedestrian traffic surface. The department or any city, village, town or county is prohibited from approving any plan under s. 101.12 which includes such heated surface. The department shall order any existing heated exterior pedestrian traffic surface in operation to be shut off. This section does not apply to any inpatient health care facility or community-based residential facility, as defined in s. 140.85 (1) or 140.86.*

History: Cr. Register, May, 1978, No. 269, eff. 7-1-78; r. and recr. (3), Register, May, 1980, No. 293, 6-1-80; am. (3) and (4), cr. (5), Register,

December, 1981, No. 312, eff. 1-1-82; am. table and (3) (c) 1., Register, August, 1985, No. 356, eff. 1-1-86; am. (3) (c) 1., Register, January, 1994, No. 457, eff. 2-1-94.

ILHR 63.12 Design criteria. (1) THERMAL PERFORMANCE.
 (a) Except as provided in par. (b), the thermal performance values for the exterior envelope of all buildings, shall not exceed the values specified in Table 63.12-A.

TABLE 63.12-A
THERMAL PERFORMANCE VALUES

Number of Stories	Thermal Performance Values*
1-2	12
3-4	13
5-7	16
8-12	18
13-20	20
Over 20	21

*Expressed in Btu/hour/square foot of above-grade exterior envelope.

Register, January, 1994, No. 457

ILHR 63.12

(b) 1. The thermal performance values for the exterior envelope of all ch. ILHR 57 residential buildings of 3 stories or less in height shall not exceed 9 Btu/hour/square foot of above-grade exterior envelope.

2. The thermal performance values specified in Table 63.12-A shall not apply to special use buildings, such as greenhouses, tents, inflatable and similar types of structures.

3. The thermal performance values specified in par. (a) may be increased or decreased provided the U value for other components is decreased or increased so the total heat gain or loss for the entire building envelope and floor area does not exceed the total heat gain or loss resulting from conformance to the values specified in subs. (1) through (3).

Note: To determine the thermal performance value of a building, the designer may use a static or dynamic method of calculation provided such calculation method is acceptable to the department.

(2) FLOORS OVER UNCONDITIONED SPACES. The overall heat transmission coefficient (U-value) for floors of heated or mechanically cooled spaces over unconditioned spaces shall not exceed 0.08 Btu/°F. Sq. Ft. hour.

(3) SLAB-ON-GRADE PERIMETER INSULATION. For slab-on-grade floors with or without grade beam, foundation bearing wall or foundation frost wall, the thermal resistance of the insulation around the perimeter of the floor shall not be less than the values shown in Table 63.12-B. The insulation shall extend 48 inches in the vertical or horizontal direction or combination thereof with a total dimension of 48 inches. Slab-on-grade perimeter insulation shall be moisture resistant.

TABLE 63.12-B
PERIMETER INSULATION REQUIREMENTS

Slab-on-grade Perimeter Insulation		Zone 1	Zone 2	Zone 3	Zone 4
R = $\frac{\text{°F Sq. Ft. Hour}}{\text{Btu}}$	Unheated Slabs	6.7	6.2	5.9	5.2
	Heated Slabs†	9.3	9.0	8.6	8.2

† Heated slabs have piping, ductwork or other heat distribution system components embedded in or under them.

History: Cr. Register, May, 1978, No. 269, eff. 7-1-78; am. (1)(intro.), Register, January, 1980, No. 289, eff. 2-1-80; r. and recr. (1), Register, May, 1980, No. 293, eff. 6-1-80; am., Register, December, 1981, No. 312, eff. 1-1-82; am. (1) (b) 1., Register, October, 1982, No. 322, eff. 11-1-82; r. and recr. (3), Register, December, 1983, No. 336, eff. 1-1-84; am. (1) (b) 1., Register, August, 1985, No. 356, eff. 1-1-86.

Subchapter IV — Heating and Air Conditioning Equipment and Systems

ILHR 63.20 Equipment efficiencies. (1) ELECTRICAL EQUIPMENT. All electrical heating and cooling equipment shall comply with the minimum coefficients of performance (COP) or energy efficiency ratios (EER) established in this section.

(a) Air conditioning equipment. Air conditioning equipment shall have minimum EER and COP values as indicated in Table 63.20-A.

(b) Heat pumps. Heat pumps in the cooling mode shall have EER and COP values as indicated in Table 63.20-A based on the standard rating conditions specified in Table 63.20-B. Heat pumps in the heating mode shall be rated at the standard rating conditions and have a minimum COP as shown in Table 63.20-C.

TABLE 63.20-B
HVAC SYSTEM EQUIPMENT STANDARD RATING CONDITIONS† — COOLING††

Item	Temperatures			
	Dry Bulb	Wet Bulb	Inlet	Outlet
Air Entering Equipment °F(°C)	80(26.7)	67(19.4)	—	—
Condenser Ambient °F(°C) (Air Cooled)	95(35.0)	75(23.9)	—	—
Condenser Water °F(°C) (Water Cooled)	—	—	85(29.4)	95(35.0)

†Standard ratings are at sea level.

††Reproduced with permission from ASHRAE Standard 90A-80, Energy Conservation in New Building Design (The American Society of Heating, Refrigerating, and Air-Conditioning Engineers, Inc., 1791 Tullie Circle, N.E., Atlanta, Georgia 30329).

TABLE 63.20-C
MINIMUM COP FOR HEAT PUMPS, HEATING MODE†

Source and Outdoor Temperature °F	Minimum COP
Air Source (return air 70° F) 47 db/43 wb	2.7
Air Source (return air 70° F) 17 db/15 wb	1.8
Water Source 60° Entering (return air 70°F)	3.0

†Adapted from Tables 6.10 ASHRAE Standard 90A-80, Energy Conservation in New Building Design (The American Society of Heating, Refrigerating, and Air-Conditioning Engineers, Inc., 1791 Tullie Circle, N.E., Atlanta, Georgia 30329).

TABLE 63.20-A
MINIMUM EER AND COP FOR ELECTRIC HEATING, VENTILATING AND AIR CONDITIONING SYSTEM EQUIPMENT, COOLING MODE†

Standard Rating Capacity	EER	COP
Under 65,000 Btu/hour (19,050 watts)	7.8	2.3
65,000 Btu/hour (19,050 watts) and over	8.2	2.4

†Adopted from Table 6.2, ASHRAE Standard 90A-80, Energy Conservation in New Building Design (The American Society of Heating, Refrigerating, and Air-Conditioning Engineers, Inc., 1791 Tullie Circle N.E., Atlanta, Georgia 30329).

TABLE 63.20-D

MINIMUM COP FOR HEATING, VENTILATING AND AIR CONDITIONING SYSTEMS, HEAT-OPERATED COOLING EQUIPMENT†

Heat Source	Minimum COP
Direct-fired (gas, oil)	0.48
Indirect-fired (steam, hot water)	0.68

†Adapted from Table 6.7 ASHRAE Standard 90A-80, Energy Conservation in New Building Design (The American Society of Heating, Refrigerating, and Air Conditioning Engineers, Inc., 1791 Tullie Circle, N.E., Atlanta, Georgia 30329).

(2) COMBUSTION HEATING EQUIPMENT. All gas-fired and oil-fired heating equipment shall have a minimum combustion efficiency of 75% at maximum rated output.

(3) HEAT-OPERATED EQUIPMENT, COOLING MODE. Heat-operated cooling equipment shall have a COP cooling not less than the values shown in Table 63.20-D when tested at standard rating conditions. These requirements apply to, but are not limited to, absorption equipment, engine-driven equipment and turbine-driven equipment.

(4) ELECTRICALLY OPERATED SYSTEMS COMPONENTS, COOLING MODE. Components of heating, ventilating and air-conditioning systems having entirely electric energy input shall have a COP cooling not less than the values shown in Table 63.20-E when tested at the standard conditions shown in Table 63.20-F.

TABLE 63.20-E

MINIMUM COP FOR ELECTRICALLY DRIVEN HEATING, VENTILATING AND AIR CONDITIONING SYSTEM COMPONENTS†

Component	Condensing Means	Air		Water		Evaporative	
		EER	COP	EER	COP	EER	COP
Self-Contained Water Chillers	Centrifugal	8.0	2.3	13.8	4.0	—	—
	Positive Displacement	8.4	2.5	12.0	3.5	—	—
Condenserless Water Chillers	Positive Displacement	9.9	2.9	12.0	3.5	—	—
Compressor and Condenser Units 65,000 Btu/hour (19,050 watts and over)	Positive Displacement	9.5	2.8	12.5	3.7	12.5	3.7

†Adapted from Tables 6.4 and 6.5 ASHRAE Standard 90A-80, Energy Conservation in New Building Design (The American Society of Heating, Refrigerating and Air-Conditioning Engineers, Inc., 1791 Tullie Circle, N.E., Atlanta, Georgia 30329).

TABLE 63.20-F

APPLIED HVAC SYSTEM COMPONENTS STANDARD RATING CONDITIONS† — COOLING††

Item	Centrifugal or Self-Contained Reciprocating Water Chiller	Condenserless Reciprocating Water Chiller
Leaving Chilled Water Temp °F	44	44
Entering Chilled Water Temp °F	54	54
Leaving Condenser Water Temp °F	95	—
Entering Condenser Water Temp °F	85	—
Fouling Factor, Water Nonferrous Tubes *	0.0005	0.0005
Steel Tubes *	0.0010	0.0010
Fouling Factor, Refrigerant *	0.0000	0.0000
Condenser Ambient (Air or Evap. Cooled) °F	95 db/75 wb	—
Compressor Saturated	Water Cooled (or Evap. Cooled) °F	105
Discharge Temp	Air Cooled °F	120

†Standard ratings are at sea level.

**F Sq. Ft. Hour Btu

††Adapted from Table 6.3.1, ASHRAE Standard 90A-80, Energy Conservation in New Building Design (The American Society of Heating, Refrigerating, and Air-Conditioning Engineers, Inc., 1791 Tullie Circle, N.E., Atlanta, Georgia 30329).

History: Cr. Register, May, 1978, No. 269, eff. 7-1-78; am. tables A, C, D and E, Register, January, 1980, No. 289, eff. 2-1-80; reprinted to correct error in (1) (b), Register, June, 1983, No. 330; r. and recr. tables A, C and E, am. tables B, D, and F, Register, December, 1983, No. 336, eff. 1-1-84.

ILHR 63.21 Controls. (1) ZONE HEATING AND COOLING. Simultaneous heating and cooling by reheating or recool-

ing supply air or by concurrent operation of independent heating and cooling systems serving a common zone shall be in accordance with the following:

(a) Reheat systems: Single zone reheat systems shall be controlled to sequence reheat and cooling. Multiple reheat

ILHR 63.21

systems serving multiple zones, other than those employing variable air volume for temperature control, shall be provided with controls that will automatically reset the system cold air supply to the highest temperature level that will satisfy the zone requiring the coolest air.

(b) *Dual duct and multi-zone systems.* These systems shall be provided with control(s) that will automatically reset:

1. The cold deck air supply to the highest temperature that will satisfy the zone requiring the coolest air; and
2. The hot deck air supply to the lowest temperature that will satisfy the zone requiring the warmest air.

(c) *Recooling systems:* Systems in which heated air is re-cooled, directly or indirectly, to maintain space temperature shall be provided with controls that will automatically reset the temperature to which the supply air is heated to the lowest level that will satisfy the zone requiring the warmest air.

1. *Exception.* A multiple zone heating, ventilating and air-conditioning system that employs reheating or recooling for control of not more than 5,000 cfm or 20% of the total supply air of the system, whichever is less, shall be exempt from the supply air temperature reset requirements of pars. (a), (b) and (c).

(d) *Heat pump supplemental heater.* The heat pump shall be installed with a control to prevent simultaneous operation of a supplemental heater when the heating load can be met by the heat pump alone. A two-stage thermostat, which controls the supplementary heat on its second stage, will be accepted as meeting this requirement. The cut-on temperature for the compression heating shall be higher than the cut-on temperature for the supplementary heat, and the cut-off temperature for the compression heating shall be higher than the cut-off temperature for the supplementary heat.

Note: Supplemental heater operation is permitted during transient periods, such as start-ups, following room thermostat set point advance, and during defrost.

(2) **CONCURRENT OPERATION.** Concurrent operation of independent heating and cooling systems serving common spaces and requiring the use of new energy for heating or cooling shall be minimized by one or both of the following:

(a) Providing sequential temperature control of both heating and cooling capacity in each zone;

(b) Limiting the heating energy input through automatic reset control of the heating medium temperature (or energy input rate) to only that necessary to offset heat loss due to transmission and infiltration and, where applicable, to heat the ventilation air supply to the space.

History: Cr. Register, May, 1978, No. 269, eff. 7-1-78; r. (1)(intro.) and am. (1)(d), Register, January, 1980, No. 289, eff. 2-1-80; r. (3), Register, December, 1981, No. 312, eff. 1-1-82.

ILHR 63.22 Insulation. (1) AIR-HANDLING DUCT INSULATION. All ducts, plenums and similar enclosures serving buildings shall be insulated as follows:

(a) All duct systems, or portions thereof, shall be insulated to provide a thermal resistance, excluding film resistances, of:

$$R = \frac{\Delta T}{15} \quad \text{°F Sq. Ft. Hour/Btu}$$

Where ΔT equals the design temperature differential in degrees F between the air in the duct, plenum or similar enclosure and the surrounding medium. For underground duct insulation, the surrounding medium (ground) temperature for ducts within the building perimeter shall be 40° F. and for ducts outside the building perimeter shall be 30° F.

(b) *Exceptions.* Duct insulation is not required:

1. Where ΔT is 25° F or less;

2. When the heat gain or loss of the ducts, plenums and similar enclosures, without insulation, will not increase the energy consumption of the building.

(2) **PIPE INSULATION.** All piping within buildings shall be thermally insulated to achieve at least the equivalent insulation values of Table 63.22. Minimum insulation thickness shall be increased for materials with thermal resistance less than 4.0 °F Sq. Ft. Hour/Btu/inch or may be reduced for materials with thermal resistance greater than 4.6 °F Sq. Ft. Hour/Btu/inch.

Note: See s. ILHR 63.33 (2) for service water piping insulation.

(a) *Exception.* Piping insulation shall not be required where the fluid temperature is between 55°F and 120°F.

TABLE 63.22
MINIMUM PIPE INSULATION

(The thicknesses specified in this table are based on insulation having thermal resistance in the range of 4.0 H-Ft²·F°/Btu to 4.6 H-Ft²·F°/Btu per inch of thickness on a flat surface at a mean temperature of 75°F)

Piping System Types	Fluid Temperature Range °F	Insulation Thickness in Inches for Pipe Sizes†					
		Run Outs†† up to 2"	1" and less	1½" to 2"	2½" to 4"	5" to 6"	8" and larger
Heating Systems:							
Steam and Hot Water							
High Pressure/Temp	306-450	1½	2½	2½	3	3½	3½
Med. Pressure/Temp	251-305	1½	2	2½	2½	3	3
Low Pressure/Temp	201-250	1	1½	1½	2	2	2
Low Temperature	120-200	¾	1	1	1½	1½	1½
Steam Condensate (for feed water)	Any	1	1	1½	2	2	2
Cooling Systems:							
Chilled Water	40-55	¾	¾	1	1	1 ½	1½
Refrigerant	Below 40	1	1	1½	1½	1 ½	1½

† For piping exposed to outdoor ambient temperatures, increase thickness by ¼ inch.

†† Run-outs not exceeding 12 feet in length to individual terminal units.

Note: Also see s. ILHR 64.37 for additional requirements.

History: Cr. Register, May, 1978, No. 269, eff. 7-1-78; am. Register, January, 1980, No. 289, eff. 2-1-80; am. (1) (a), Register, December, 1981, No. 312, eff. 1-1-82; r. and recr. table, Register, December, 1983, No. 336, eff. 1-1-84.

ILHR 63.23 Cooling with outdoor air in conjunction with mechanical cooling systems (economizer cycle) (1) OUTDOOR AIR. Each fan system shall be designed to use up to and including 100% of the fan system capacity for cooling with outdoor air automatically whenever its use will result in lower usage of new energy. Activation of economizer cycle shall be controlled by sensing outdoor air enthalpy and dry bulb temperature jointly, or outdoor air dry bulb temperature alone.

(2) EXCEPTION. Cooling with outdoor air is not required when the cooling capacity of the fan system is less than 55,000 Btu per hour.

History: Cr. Register, May, 1978, No. 269, eff. 7-1-78; am. (1) (a), Register, January, 1980, No. 289, eff. 2-1-80; renum. (1) (a) to be (2) and am. Register, January, 1994, No. 457, eff. 2-1-94.

ILHR 63.24 Maintenance. Equipment shall be labeled to clearly state the required regular maintenance. Such label may be limited to identifying, by title or publication number, the operation and maintenance manual for that particular model and type of product. Maintenance instructions shall be furnished for any equipment which requires preventive maintenance for efficient operation.

History: Cr. Register, May, 1978, No. 269, eff. 7-1-78.

Subchapter V — Water Heating

ILHR 63.30 Purpose. The purpose of this part is to provide energy conservation criteria for the design and equipment selection for service water heating.

History: Cr. Register, May, 1978, No. 269, eff. 7-1-78.

ILHR 63.31 Water heaters, storage tanks and boilers. (1) COMBINATION SERVICE WATER HEATING/SPACE HEATING BOILERS. Space heating boilers shall not be used for service water heating from May 1 to September 30 unless the service water heating load equals or exceeds 30% of the net boiler load.

(2) TEMPERATURE CONTROLS. Service water heating systems shall be equipped with automatic temperature controls capable of adjustment from the lowest to the highest acceptable temperature settings for the intended use.

Note: The department recognizes the values specified in Table 1, ASHRAE Handbook and Product Directory, Systems Volume, Chapter 37.

(3) SHUT DOWN. A separate means shall be provided to permit turning off the energy supplied to service water heating systems.

History: Cr. Register, May, 1978, No. 269, eff. 7-1-78.

ILHR 63.32 Conservation of hot water. (1) SHOWERS. Showers shall be equipped to limit the flow of water to not more than 3 gallons per minute per shower head.

(2) LAVATORIES. Lavatory faucets in toilet rooms shall be equipped to limit the flow to not more than 3 gallons per minute.

(3) HEATED SWIMMING POOLS. Heated swimming pools shall comply with the following:

(a) Heated swimming pools shall be equipped with controls to limit heating water temperatures to no more than 80° F, except for pools used for therapeutic purposes.

(b) Unenclosed heated pools shall be controlled so that the electric resistance or fossil-fueled pool water heating systems are inoperative from September 15 to May 15.

Note: The requirements of sub. (3) will be enforced by the department of health and social services. The same rules will be included in Wis. Adm. Code ch. HSS 172 — Safety, Maintenance and Operation of Public Swimming Pools.

History: Cr. Register, May, 1978, No. 269, eff. 7-1-78; am. (1) and (2), Register, January, 1980, No. 289, eff. 2-1-80; am. (2), Register, October, 1994, No. 466, eff. 11-1-94.

ILHR 63.33 Insulation. (1) STORAGE TANKS. Heat loss from unfired hot water storage tanks shall be limited to 15 Btu per hour per square foot of external tank surface area. The design ambient temperature shall be no higher than 65° F.

Register, October, 1994, No. 466

ILHR 63.33

(2) PIPING. (a) Except as provided in par. (b), piping heat loss for recirculation systems shall be limited to a maximum of 25 Btu per hour per square foot of external pipe insulation surface for aboveground piping and a maximum of 35 Btu per hour per square foot of external pipe insulation surface for underground piping. Maximum heat loss shall be determined at a ΔT equal to the maximum water temperature minus a design ambient temperature no higher than 65° F.

(b) Conformance to the minimum pipe insulation requirements specified in Table 63.22 shall be deemed as complying with the requirements of this subsection.

History: Cr. Register, May, 1978, No. 269, eff. 7-1-78; cr. (2) (a), Register, May, 1980, No. 293, eff. 6-1-80; am. (2), Register, December, 1983, No. 336, eff. 1-1-84.

Subchapter VI — Illumination and Electrical Systems

Note: Section 101.08, Stats., and the National Appliance Energy Conservation Amendments of 1988, P.L. 100-367, establish energy efficiency standards for fluorescent lamp ballasts. For a list of ballasts certified as conforming to s. 101.08, Stats., contact the office of division codes and application at 608/266-1542.

ILHR 63.41 Lighting. The building lighting shall be designed in accordance with one of the following methods:

(1) LIGHTING POWER BUDGET. (a) Except as provided in par. (b), for purposes of establishing a budget, the power allowed for the lighting load shall not exceed the value for the space use as indicated in Table 63.41. Each area of space shall be multiplied by its maximum lighting load

respective value as indicated in Table 63.41. This calculation shall be made for all areas of the building and these values shall be summed to yield a total allowable lighting wattage. This total allowable lighting wattage is the maximum amount of lighting power for the building, which may then be allocated as desired provided this value is not exceeded.

(b) The following areas or classes of lighting equipment are exempt from the criteria of par. (a):

1. Local task lighting fixtures applied to an individual location with switching under the user's immediate control, such as, but not limited to, a portable desk lamp, a work light on a machine, or a hospital examination light; or

2. Lighting for special applications where the lighting is an essential technical element for the function performed, such as theatrical performances.

(2) ILLUMINATION BUDGET. If the total allowable lighting wattage value determined by the calculations outlined in sub. (1) is exceeded, then the illumination shall be determined by a method acceptable to the department.

Note 1: The material in this section is not intended to be used as a lighting design procedure. The purpose of this section is solely to outline a procedure for determining the maximum power limit for the lighting.

Note 2: See s. PSC 113.315, Wis. Adm. Code, for individual electric metering requirements for nontransient multi-dwelling unit residential buildings.

**TABLE 63.41
LIGHTING POWER VALUES**

Area/Use	Maximum Connected Lighting Load (Watts/Sq. Ft.)
General	
Conference Room	2.0
Corridor	1.0
Employee Cafeteria	2.0
Janitor Closet	0.5
Lobby	1.0
Locker Room	2.0
Lunch Room	2.0
Mechanical Room	0.5
Parking, Indoor	0.25
Parking, Outdoor	0.05
Office	3.0
Perimeter Facade	5.0/linear ft.
Reception or Waiting Room	3.0
Shower Room	2.0
Stairway	1.0
Storage	0.5
Toilet	2.0
Assembly (Chs. ILHR 54 and ILHR 55)	
Auditorium	2.0
Church Nave and Sanctuary	2.0
Dining Area	2.0
Gymnasium	2.0
Kitchen, Commercial	2.5
Natatorium	2.0
Racquet Court	2.0
Recreation Area	2.0
Tavern	2.0
Theatre	2.0
Educational (Chs. ILHR 56 and ILHR 60)	
Auditorium	2.0
Classroom	2.5
Day Care/Nursery	2.5

TABLE 63.41
LIGHTING POWER VALUES

Area/Use	Maximum Connected Lighting Load (Watts/Sq. Ft.)
Gymnasium	2.0
Mercantile (chs. ILHR 54 and ILHR 59)	
Laboratory	2.5
Library, Reading Area	3.0
Library, Stack Area	0.5
Museum	2.5
Natorium	2.0
Vocational Shop	2.5
Health Care (Ch. ILHR 58)	
Examination Room	3.0
Laboratory	2.5
Nurse Station	3.0
Operating Room	3.0
Patient Room	1.0
Physical Therapy	2.0
Treatment Room	3.0
Industrial (Ch. ILHR 54)	
Assembly	2.5
Inspection	2.5
Laboratory	2.5
Manufacturing	2.5
Shipping and Receiving	2.5
Storage (Including Warehouse Storage)	0.5
Garage, Repair	1.0
Kitchen, Commercial	2.5
Laundry, Commercial	2.5
Mall	2.0
Sales Area (Including Display Lighting)	2.5
Stock Room	1.0
Residential (Ch. ILHR 57)	
Bathroom	2.0
Closet	0.5
Hotel or Motel Bedroom	1.0
Kitchen, Residential	2.5
Laundry Area	2.5
Living or Sleeping Area	1.0
Storage	0.5

Note: 1. Use the most similar area/use designation for unlisted occupancies.

Note: 2. In general, canopy lighting is given the value assigned for similar indoor tasks. For example, a shopping center canopy is given the 2.0 watts/sq. ft. value of mall.

History: Cr. Register, May, 1978, No. 269, eff. 7-1-78; am. (1) and (2), Register, December, 1981, No. 312, eff. 1-1-82.

ILHR 63.42 Lighting control. Each room enclosed by ceiling-height partitions shall have independent control of the lighting in that room through control devices located within the room.

History: Cr. Register, May, 1978, No. 269, eff. 7-1-78; r. and recr., Register, December, 1981, No. 312, eff. 1-1-82.

Subchapter VII — Nondepletable Energy Source

ILHR 63.50 Buildings utilizing solar, geothermal, wind or other nondepletable energy source. Any building, or portion thereof, utilizing any nondepletable energy source shall meet all the requirements of this chapter. An energy credit will be given to the building envelope in the amount of the net nondepletable energy collected. The nondepletable energy must be derived from a specific collection, storage and distribution system, which may include active and passive systems.

Note: An energy credit to the building envelope in the amount of the net recovered energy will be given to the use of recovery systems which will conserve energy, provided the amount expended is less than the amount recovered when the energy transfer potential and the operating hours are considered.

History: Cr. Register, May, 1978, No. 269, eff. 7-1-78.

ILHR 63.51 Documentation. Proposed alternative designs, submitted as variations to the standard design criteria, shall be accompanied by an energy analysis. This department will accept alternative systems designed according to the requirements of nationally recognized agencies.

History: Cr. Register, May, 1978, No. 269, eff. 7-1-78.

Subchapter VIII — System Analysis Design

ILHR 63.60 Annual energy consumption. A building designed in accordance with this part will be deemed as complying with this chapter if the calculated annual energy consumption is not greater than a similar building with enclosure elements and energy consuming systems designed in accordance with subchs. I through VI. If the pro-

ILHR 63.60

posed alternative design results in an increase in consumption of one energy source and a decrease in another energy source, the difference in each energy source shall be converted to equivalent energy units for purposes of comparing the total energy used.

History: Cr. Register, May, 1978, No. 269, eff. 7-1-78.

ILHR 63.61 Simulation. The calculation procedure used to simulate the operation of the building and its service systems through a full year operating period shall be detailed to permit the evaluation of the effect of system design, climatic factors, operational characteristics, and mechanical equipment on annual energy usage. Manufacturer's data or comparable field test data shall be used when available in the simulation of all systems and equipment. The calculation procedure shall be based upon 8,760 hours of operation of the building and its service systems and shall utilize the following input:

(1) CLIMATIC DATA: Coincident hourly data for temperatures, solar radiation, wind and humidity of typical days in the year representing seasonal variation.

(2) BUILDING DATA: Orientation, size, shape, thermal mass, air moisture and heat transfer characteristics.

(3) OPERATIONAL CHARACTERISTICS: Temperature, humidity, ventilation, illumination, control mode for occupied and unoccupied hours.

(4) MECHANICAL EQUIPMENT: Design capacity, partial load profile.

(5) BUILDING LOADS: Internal heat generation, lighting, equipment, number of people during occupied and unoccupied periods.

History: Cr. Register, May, 1978, No. 269, eff. 7-1-78.

ILHR 63.62 Documentation. Proposed alternative designs, submitted as requests for exception to the standard design criteria, shall be accompanied by an energy analysis comparison report. The report shall provide technical detail on the building and system design and on the data used.

History: Cr. Register, May, 1978, No. 269, eff. 7-1-78.

Chapter ILHR 64

HEATING, VENTILATING AND AIR CONDITIONING

Subchapter I — Scope		ILHR 64.39 Ventilation discharge	
ILHR 64.01	Scope	ILHR 64.40 Relief vents	
ILHR 64.02	Approval of drawings and specifications	ILHR 64.41 Plenums	
Subchapter II — Design Requirements		ILHR 64.42 Fire dampers and fire curtain doors	
ILHR 64.03	Design	ILHR 64.43 Dampers and damper controls	
ILHR 64.04	Outside temperature design conditions	ILHR 64.44 Fans and blowers	
ILHR 64.05	Inside design temperatures and ventilation requirements	Subchapter VI — Chimneys, Gas Vents, Mechanical Draft and Venting Devices	
ILHR 64.06	Mechanical ventilation systems	ILHR 64.45	Chimneys, smoke stacks, gas vents, mechanical draft and venting devices
ILHR 64.07	Natural ventilation system	ILHR 64.46	Masonry chimneys
ILHR 64.08	Exhaust ventilation system	ILHR 64.47	Metal smokestacks
ILHR 64.09	Combustion air intakes	ILHR 64.48	Factory-built chimneys and gas vents
ILHR 64.10	Refrigerants	ILHR 64.49	Gas vents
Subchapter III — Ventilation and Air Standards		ILHR 64.50	Chimney and vent connectors
ILHR 64.11	Ventilation and air standards	Subchapter VII — Equipment Location, Protection, Maintenance and Operation	
ILHR 64.12	Definitions	ILHR 64.51	Guarding and fire protection
ILHR 64.13	Tempered air requirements	ILHR 64.52	Maintenance and operation
ILHR 64.14	Tempered outside air requirements	ILHR 64.53	Final test required
ILHR 64.15	Air movement and distribution	Subchapter VIII — Occupancy Requirements	
ILHR 64.16	Air-cleansing devices	ILHR 64.54	Factories, office and mercantile buildings
ILHR 64.17	Controls	ILHR 64.55	Theaters and places of assembly
ILHR 64.18	Contamination of air	ILHR 64.56	Schools and other places of instruction
ILHR 64.19	Location of outside ventilating air intakes or exhausts for mechanical ventilation systems	ILHR 64.57	Health care facilities
Subchapter IV — Heating Equipment Requirements		ILHR 64.58	Penal institutions and places of detention
ILHR 64.20	Equipment ratings and safety controls	ILHR 64.59	Residential occupancies
ILHR 64.21	Location of equipment	ILHR 64.60	Day care facilities
ILHR 64.22	Special requirements	ILHR 64.61	Repair areas
ILHR 64.23	Piping	ILHR 64.62	Vehicle service buildings
Subchapter V — Air Delivery Systems		ILHR 64.63	Garages
ILHR 64.31	Duct design	ILHR 64.64	Vehicle showroom
ILHR 64.32	Duct use	ILHR 64.65	General sanitation and service areas
ILHR 64.33	Underground duct construction and installation	ILHR 64.66	Natoriums
ILHR 64.34	Duct construction	ILHR 64.67	Kitchens
ILHR 64.35	Duct connectors	ILHR 64.68	Seasonal occupancies
ILHR 64.36	Vertical shafts		
ILHR 64.37	Insulation		
ILHR 64.38	Gravity ventilation ducts		

Note: Chapter Ind 59 as it existed on December 31, 1975 was repealed and a new chapter Ind 64 was created effective January 1, 1976. Chapter Ind 64 was renumbered to be chapter ILHR 64 effective January 1, 1984.

Subchapter I — Scope

ILHR 64.01 Scope. All heating, ventilating and air conditioning systems shall be designed, installed, maintained and operated so as to provide the service and results required within the provisions of this chapter. The minimum requirements established in each part of this chapter shall be complied with as they apply to that specific public building or place of employment. The administrative rules pertaining to energy conservation may be applied retroactively to existing buildings.

Note: Compliance with this code shall not constitute assurance of proper installation or operation of the heating, ventilating and air conditioning system. This code is not to be used as a design manual, but it is established as a minimum standard for safety, health and general welfare of the public.

History: Cr. Register, December, 1975, No. 240, eff. 1-1-76; am. Register, December, 1976, No. 252, eff. 1-1-77.

ILHR 64.02 Approval of drawings and specifications. All drawings and specifications shall be submitted to the de-

partment in accordance with the provisions of ss. ILHR 50.07 and 50.12.

History: Cr. Register, December, 1975, No. 240, eff. 1-1-76; am. Register, December, 1976, No. 252, eff. 1-1-77.

Subchapter II — Design Requirements

ILHR 64.03 Design. (1) BUILDING HEAT LOSS. The total building heat loss shall be equal to the sum of the building transmission losses and infiltration or the building transmission losses and ventilation losses, whichever sum is greater.

(2) HEATING SYSTEM DESIGN. The primary heating system intended to maintain the inside design temperature of s. ILHR 64.05 (1) shall be designed to equalize building transmission losses and infiltration or ventilation losses during occupied periods. Credit will be given for internal heat gains against the total design loss of the heating system, provided the heat gains are demonstrated by the designer.

(3) CAPACITY AND ARRANGEMENT. The calculated capacity and the arrangement of all installations for required

Register, January, 1994, No. 457

ILHR 64.03

heating and ventilating shall be based upon simultaneous service to all parts of the building unless otherwise exempted by this code.

History: Cr. Register, December, 1975, No. 240, eff. 1-1-76; am. (1) and (2)(a), Register, January, 1980, No. 289, eff. 2-1-80; am. (2), Register, December, 1981, No. 312, eff. 1-1-82; am. (1), Register, March, 1991, No. 423, eff. 4-1-91.

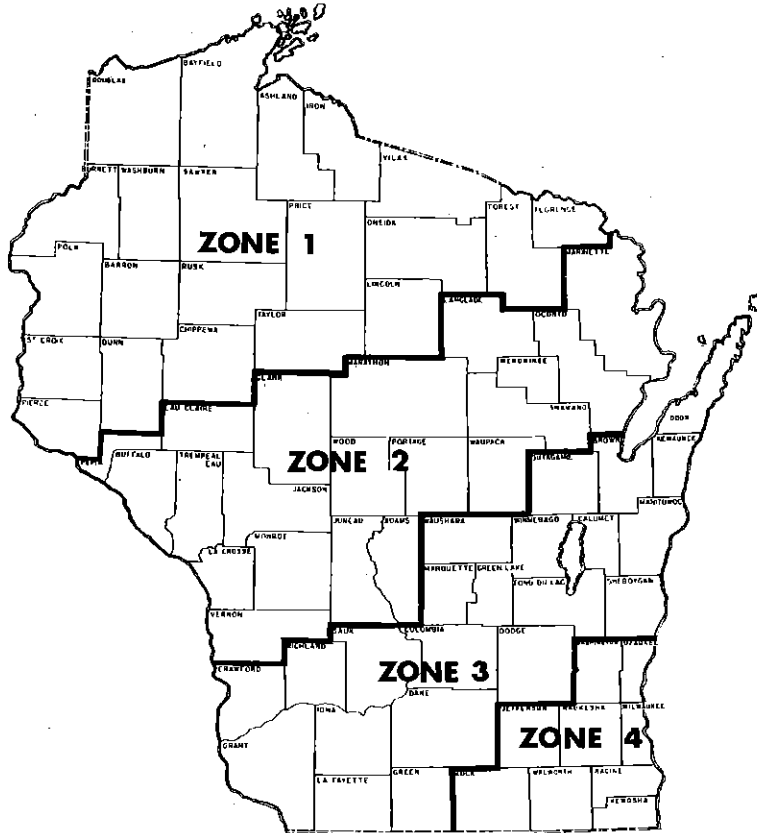
ILHR 64.04 Outside temperature design conditions. In the accompanying map, the state of Wisconsin has been divided into 4 zones. The maximum heat losses for a heating system shall be calculated on the basis of the outdoor

temperatures indicated on the map with reference to location of the project.

History: Cr. Register, December, 1975, No. 240, eff. 1-1-76.

ILHR 64.05 Inside design temperatures and ventilation requirements. (1) INSIDE DESIGN TEMPERATURES.(a) *Heating system design.* The heating system shall be designed to maintain a temperature of not less than that shown in Table 64.05 and must be operated at not less than that temperature during occupied periods.

MAP OF WISCONSIN SHOWING DESIGN TEMPERATURE ZONES



Zone 1	-25° below zero F
Zone 2	-20° below zero F
Zone 3	-15° below zero F
Zone 4	-10° below zero F

(b) *Spot heating.* Spot heating may be used to heat individual fixed work stations in large industrial buildings where it is impractical to provide heat to the entire space as described in par. (a), provided the inside design temperature at the fixed work station is at least 60° F.

(2) VENTILATION REQUIREMENTS. The ventilating system shall be designed, maintained and operated to accomplish the required minimum ventilation indicated in Table 64.05. The required ventilation for areas of each occupancy or use is specified by the ventilation classification assigned to each occupancy or use in Table 64.05.

(a) Areas assigned ventilation classification (a) shall be provided with a supply of outside air and an equal amount of exhaust ventilation at a rate of 5 CFM per person and with a minimum air movement of 6 air changes per hour.

(b) Areas assigned ventilation classification (b) shall be provided with a supply of outside air and an equal amount of exhaust ventilation at the rate of 5 CFM per person and with a minimum air movement of 6 air changes per hour, or shall be provided with a percentage of openings in accordance with sub. (4).

(c) Areas assigned ventilation classification (c) shall be provided with a supply of outside air and exhaust ventilation determined using the CFM per square foot of net floor area specified in Table 64.05.

(d) Areas assigned ventilation classification (d) shall be provided with an amount of exhaust ventilation determined using the CFM per square foot of net floor area specified in Table 64.05. The area shall be provided with negative pressure relative to adjacent areas. An equal supply of outside air is required when the total building ex-

haust exceeds one air change per hour, unless otherwise exempted under sub. (5).

(e) Areas assigned ventilation classification (e) shall be provided with a percentage of outside openings in accordance with sub. (4).

(f) Corridor areas in shopping malls assigned ventilation classification (f) do not require a separate supply of outside air provided the outside air introduced in the store areas adjacent to the mall is circulated through and exhausted from the shopping mall corridor area.

(3) DETERMINATION OF NUMBER OF PERSONS. In determining the number of persons in a given space, the department will accept the net square feet per person as listed in Table 64.05, or the actual number of persons, provided the expected occupancy is indicated on the plans and is reasonable. Where no value is indicated for net square feet per person, the actual number of occupants shall be used to determine the required amount of outside air.

(4) PERCENT OF OPENINGS. Where the required ventilation for a room is provided with a percent of openings, the net openable area of exterior windows and doors in the

room shall be at least equal to the specified percent of the floor area of that room.

(5) EXCEPTIONS. (a) *Outside air requirement waived.* If a mechanical air supply system is provided and the requirement for outdoor air determined in accordance with Table 64.05 is less than 5% of the code required air movement of 6 air changes per hour, the requirement for outside air may be eliminated.

(b) *Outside air requirement and percent of openings waived.* The requirement for outside air or percent of openings may be omitted for Table 64.05 (a) or (b) ventilation classifications in large volume spaces containing 5,000 or more cubic feet per occupant.

(c) *Minimum air movement reduced.* The minimum air movement required for Table 64.05 (a) and (b) ventilation classifications may be reduced in accord with s. ILHR 64.06 (3).

History: Cr. Register, December, 1975, No. 240, eff. 1-1-76; cr. (1) (a), (2) (a) and (b), Register, December, 1976, No. 252, eff. 1-1-77; am. (2) (b), Register, December, 1978, No. 276, eff. 1-1-79; am. table, Register, August, 1985, No. 356, eff. 1-1-86; r. and recr. Register, January, 1994, No. 457, eff. 2-1-94.

ILHR 64.05

TABLE 64.05
TEMPERATURE AND VENTILATION TABLE

Use or Occupancy	Minimum Inside Temp. (Deg. F)	Ventilation Requirements ¹			Applicable Occupancy Code Section (ILHR No.)	
		Ventilation Classification	Basis of Capacity			
			Net Sq. Ft. Per Person	Percent of Openings ²		CFM/Net Sq. Ft. Floor Area
<u>Factories, offices and mercantile buildings</u>						
Barber and beauty salons	67	(b)	20	3	---	64.54
(where hair spray is used)	67	(d)	20	---	---	64.18
Canning factories	60	(b)	75	3	---	64.54, 64.68
Conference rooms	67	(b)	7	3	---	64.54
Court rooms	67	(b)	6	3	---	64.54
Factories and machine shops	60	(b)	75	3	---	64.54
First aid rooms	67	(b)	6	3	---	64.54
Flammable liquids storage	NMR	(d)	---	---	---	64.18
Foundries and boiler shops	50	(b)	75	3	---	64.13, 64.54
Funeral homes:						
Chapel	67	(b)	6	3	---	64.54
Embalming room	67	(d)	---	---	2	64.54
Offices	67	(b)	75	3	---	64.54
Places of worship, entertainment & recreation which accommodate less than 100 persons	†	(b)	†	3	---	64.54
Printing establishments	60	(b)	---	3	---	64.18, 64.54
Retail establishments (basement)	65	(b)	40	3	---	64.54
(other floors)	65	(b)	60	3	---	64.54
Shopping mall corridor areas (except mercantile areas)	NMR	(f)	Aggregate capacity of stores served by mall	---	---	64.54
Security vaults (occupied)	65	(a)	300	---	---	64.54
Warehouses	NMR	---	---	---	---	64.18, 64.54
<u>Theaters and places of assembly (which accommodate more than 100 persons)</u>						
Arenas and field houses (use seated areas)	60	(a)	6	---	---	64.55
Armory drill floors	55	(b)	30	3	---	64.55
Assembly halls (other than church)	67	(a)	6	---	---	64.55
Bowling alleys	67	(a)	15	---	---	Based on occupied areas
Cafeterias, dining areas, restaurants, billiard rooms	67	(a)	15	---	---	64.55
Churches and places of worship:						
Chapels	67	(b)	6	3	---	64.55 (3)
Dining and social rooms	67	(b)	15	3	---	64.55 (3)
Nave or auditorium	67	(b)	6	3	---	64.55 (3)
Sunday school room	67	(b)	20	3	---	64.55 (3)
Club rooms (seated)	67	(a)	6	---	---	64.55
(unseated)	67	(a)	15	---	---	64.55
Dance halls	67	(a)	15	---	---	64.55
Ice skating rinks (indoor)	NMR	(a)	15	---	---	64.55
Ice resurfacing (indoor)	NMR	(d)	---	---	---	64.18, 64.55
Lodge halls	65	(a)	15	---	---	64.55
Roller skating rinks (indoor)	50	(a)	15	---	---	64.55
Taverns	67	(a)	20	---	---	64.55
Tennis courts (indoor)	60	(a)	---	---	---	64.55
Theaters	67	(a)	6	---	---	64.55
Lobbies	65	(a)	15	---	---	64.55
Lounge room	67	(a)	15	---	---	64.55
Motion picture booths	60	(a) or (c)	---	---	2	64.55
<u>Health Care Facilities</u>			See s. ILHR 64.57			

TABLE 64.05 (CONTINUED)

Use or Occupancy	Minimum Inside Temp. (Deg. F)	Ventilation Requirements ¹				Applicable Occupancy Code Section (ILHR No.)
		Ventilation Classification	Basis of Capacity			
			Net sq. ft. Per Person	Percent of Openings ²	CFM/Net Sq. Ft. Floor Area	
<u>Schools and other places of instruction</u>						
Administrative office space	67	(b)	75	3	—	64.56
Arts, crafts, drafting rooms	67	(a)	30	—	—	64.56
Classrooms	67	(a)	20	—	—	64.56
Gymnasiums, field houses, auditoriums, theaters (fixed seats)	67	(a)	6	—	—	64.56
Bleachers	—	(a)	2.75 or 18"/LF	—	—	64.56
Locker and shower rooms	70	(c) or (d)	—	—	2	64.56
Gymnasiums, field houses auditoriums, theaters (nonseated areas)	55	(a)	75	—	—	64.56
Home Economics	67	(a)	30	—	—	64.56
(Cooking)	67	(d)	—	—	200/CA	64.67
Kitchens	60	(c) or (d)	—	—	2	64.67
Laboratories (science)	67	(a)	30	—	—	64.18
Lecture halls	67	(a)	6	—	—	64.56
Library and resource centers	67	(a)	20	—	—	64.56
Reading rooms	67	(a)	20	—	—	64.56
Stack areas	67	(a) or (d)	100	—	1/4	64.56
Lunchrooms	65	(a)	10	—	—	64.56
Museums and art galleries	67	(a)	40	—	—	64.56
Music rooms (instrumental)	67	(a)	20	—	—	64.56
(vocal)	67	(a)	10	—	—	64.56
Special education	67	(a)	35	—	—	64.56
Study halls, common areas with nonfixed seating	67	(a)	10	—	—	64.56
Toilet rooms	65	(d)	—	—	2 or 50/TF	64.54
<u>Vocational shops:</u>						
With vehicle service and repair	60	(c) or (d)	—	—	3/4	64.18
Without vehicle service and repair	60	(a)	50	—	—	64.18
Wardrobes	NMR	(d)	—	—	2	64.65
<u>Detention facilities</u>						
Sleeping rooms	67	(b)	—	4	—	64.58
<u>Residential occupancies</u>						
Living and sleeping areas	67	(e)	—	4	—	64.59
<u>Day care facilities</u>	67	(b)	35	4	—	64.60
<u>Garages and service stations</u>						
<u>Automobile showrooms:</u>						
Less than 6 vehicles	60	(b)	—	3	—	64.64
6 or more vehicles	60	(c) or (d)	—	—	1/2	64.64
Garages: less than 6 vehicles	NMR	(b)	—	3	—	64.63
Garages: 6 or more vehicles	NMR	(c) or (d)	—	—	1/2	64.63
Repair areas	60	(c) or (d)	—	—	3/4	64.61
Vehicle service buildings	60	(c) or (d)	—	—	1/2	64.62
<u>General sanitation & service areas</u>						
Chlorine storage rooms	NMR	(d)	—	—	1	64.65
Janitor closets	NMR	(d)	—	—	2	64.65
Locker rooms and shower rooms	70	(c) or (d)	—	—	2	64.65
Toilet rooms	65	(d)	—	—	2 or 50/TF	64.65
Toilet rooms (w/outdoor stadium)	50	(d)	—	—	2 or 50/TF	64.65

TABLE 64.05 (CONTINUED)

Use or Occupancy	Minimum Inside Temp. (Deg. F)	Ventilation Requirements ¹			Applicable Occupancy Code Section (ILHR No.)	
		Ventilation Classification	Basis of Capacity			
			Net sq. ft. Per Person	Percent of Openings ²		CFM/Net Sq. Ft. Floor Area
<u>Laundries</u>	60	(c)	—	—	2	64.65
<u>Natatoriums</u>	76	(c)	—	—	1 or 2/ pool sf	64.66
<u>Kitchens</u>	60	(c) or (d)	—	—	2	64.67
<u>Seasonal occupancies</u>						
Camps and lodges:						
Dining and recreational areas	NMR	(b)	15	3	—	64.68
Living and sleeping areas	NMR	(e)	—	4	—	64.68
Club houses	NMR	(b)	15	3	—	64.68
Drive-ins	NMR	(b)	15	3	—	64.68
Kitchens	NMR	(c) or (d)	—	—	2	64.67
Outdoor toilets	NMR	(d)	—	—	2	64.65
END						

CA = Cooking appliance
 CFM = Cubic feet per minute
 LF = Lineal foot
 NMR = No minimum requirement
 TF = Toilet facilities (water closets and urinals)

[†] See theaters and places of assembly for inside design temperature and net square feet per person.

¹ See ss. ILHR 64.06, 64.07 and 64.08 for mechanical, natural and exhaust ventilation systems; and ss. ILHR 64.11 to 64.18 for ventilation air standards.

² See ss. ILHR 64.07 for special considerations on natural ventilation.

ILHR 64.06 Mechanical ventilation systems. (1) DEFINITION. Mechanical ventilation is the process of supplying a mixture of tempered outside air or simultaneously removing contaminated air to the outside by power-driven fans or blowers or both.

(2) DESIGN. Mechanical ventilation systems shall be designed to supply a continuous source of outside air to all occupied areas while people are present. Exhaust ventilation in equal volume shall be maintained simultaneously.

(3) AIR MOVEMENT. The air movement may be based on actual room height or up to 10 feet from the floor level of the room in question. The volume above 10 feet, in rooms which are more than 10 feet in height, need not be considered in the air change requirement if the required air change is designed to occur in the lower 10 feet of the occupied space.

(a) Six air changes per hour. When required for (a) and (b) ventilation classifications, as specified in s. ILHR 64.05, or where the ventilation exception specified under s. ILHR 57.13 (2) (b) is elected, the total air movement shall be at least 6 air changes per hour. The outside air requirements in s. ILHR 64.05 (a) shall also be applied where the s. ILHR 57.13 (2) (b) ventilation exception is elected.

(b) Less than 6 air changes per hour. An air movement of less than 6 air changes per hour will be permitted where mechanical cooling (air conditioning) is provided and the heat gain requirement for the space has been satisfied.

(c) Air movement requirement waived. The air movement requirement for 6 air changes per hour may be omitted in the following applications:

1. Spot heating.

2. Buildings where the requirement for outside air is waived in accordance with s. ILHR 64.05 (2) (b).

3. Buildings utilizing percentage of openings as specified in s. ILHR 64.05, Table 1.

(4) AIR DISTRIBUTION. An adequate number of air supply, return and exhaust outlets or grilles shall be provided to insure a uniform distribution of air.

(5) RECIRCULATION AND TRANSFER OF AIR. (a) Recirculation. No air contaminated by any source other than human occupancy may be recirculated, except within the same ventilation classification as assigned in Table 64.05.

(b) Transfer. Air in a volume equal to the outside air required for a room may be transferred through a corridor and exhausted through a locker room, toilet room, kitchen, janitor closet or a similar area. Air shall not be transferred through elevator shafts and stairwells where doors are required at any floor level.

(6) DIVERSIFIED MECHANICAL SYSTEMS. If the mechanical ventilation system is able to deliver required quantities of outside air to each area when needed, the department will recognize diversity and the system may be designed on the actual occupancy.

Note 1: This rule permits the opening of outside air intakes in schools, offices and retail establishments to be delayed one hour after initial occupancy and permits the closing of outside air openings one hour prior to the termination of the occupancy.

Note 2: See ch. ILHR 32, Safety and Health Standards for Public Employes, for requirements for dust, fumes, vapors and gases.

History: Cr. Register, December, 1975, No. 240, eff. 1-1-76; renum. (3) to be (6), renum. 64.15 (2) to be (3), 64.15 (3) to be (4), cr. (3) (c) and (5), Register, December, 1976, No. 252, eff. 1-1-77; am. (3)(c)2., Register, January, 1980, No. 289, eff. 2-1-80; am. (3) (c) 3., Register, December, 1981, No. 312, eff. 1-1-82; am. (2) and (5) (a), r. and recr. (3) (a), Register, January, 1994, No. 457, eff 2-1-94.

ILHR 64.07 Natural ventilation system. (1) OUTDOOR OPENINGS. Outdoor openings used for natural ventilation shall be within 100 feet, or 5 times the least dimensional width of the occupied area, whichever is the least.

(a) Outdoor openings located below grade. Outdoor openings below grade will not be accepted unless there is a clear space outside of the opening having a width not less than 1½ times the distance below grade at the bottom of the opening.

Note: Width of clear space is the horizontal distance measured at right angles to the plane of the opening.

(b) Outdoor openings located from a property line. Outdoor openings shall be at least 5 feet from a property line or lot line or both or an adjacent building on the same property. This distance restriction does not apply to property lines along streets.

Note: For further restrictions, see Table 51.03-B and s. ILHR 64.19.

(2) VESTIBULE OPENINGS. Vestibule type openings may be used to satisfy the requirements specified in sub. (1) only for the areas of the building into which the vestibule opens.

History: Cr. Register, December, 1975, No. 240, eff. 1-1-76; cr. (2), Register, December, 1981, No. 312, eff. 1-1-82.

ILHR 64.08 Exhaust ventilation system. (1) DEFINITIONS. (a) Exhaust ventilating system. Any combination of building construction, machinery, devices or equipment, designed and operated to remove harmful gases, dusts, fumes or vitiated air from the breathing zone of employes and frequenters.

(b) Gravity exhaust ventilation. A process of removing air by natural means, the effectiveness depending on atmospheric condition, such as difference in relative density, difference in temperature or wind motion.

(2) DESIGN. Exhaust ventilating systems shall be designed to reasonably prevent contaminated air from reentering the building.

(3) OPERATION. The required building exhaust ventilating systems shall operate continuously during periods of occupancy.

(4) EXHAUST VENTS. All exhaust vents shall be ducted to the exterior of the building.

(5) GRAVITY SIPHON-TYPE ROOF VENTILATORS. (a) Except as provided in par. (b), gravity siphon-type roof ventilators shall be sized to provide a free area so that the velocity of the air does not exceed 300 feet per minute.

(b) The allowable velocity specified in par. (a) may be increased to 600 feet per minute provided the outside air is supplied by mechanical means.

ILHR 64.08

Note: Heat reclaim equipment for exhaust systems having more than 10,000 CFM capacity should be considered for energy savings.

History: Cr. Register, December, 1975, No. 240, eff. 1-1-76; cr. (4), Register, December, 1976, No. 252, eff. 1-1-77; cr. (5), Register, December, 1983, No. 336, eff. 1-1-84.

ILHR 64.09 Combustion air Intakes. Any room in which fuel-burning equipment, including fireplaces and process equipment, is located shall be supplied with combustion air for safe operation.

(1) **COMBUSTION AIR.** Combustion air shall be provided by one of the following methods:

(a) *Combustion air by gravitational means.* Where combustion air is introduced by gravitational means, the minimum free area for combustion air intakes shall be calculated in square inches as indicated in Table 64.09. The values for gas- and oil-fired equipment are based on the fuel input of the equipment. The value for solid-fuel equipment and fireplaces is based on the fuel input of the equipment, the area of the chimney connector or the listing for the specific piece of equipment. (See Table 64.09).

TABLE 64.09

Atmospheric Combustion	Combustion Air Intakes Ducted from the Outside to an Interior Room or Fireplace	Combustion Air Intakes Located at the Outside Wall of an Exterior Room
Gas-fired, all occupancies except industrial	1 sq.in./1000 Btu/hr.	1 sq.in./2000 Btu/hr.
Gas-fired, industrial occupancies	1 sq.in./1000 Btu/hr.	1 sq.in./5000 Btu/hr.
Oil-fired, all occupancies	1 sq.in./1000 Btu/hr.	1 sq.in./2000 Btu/hr.
Solid-fuel fired equipment and fireplaces, all occupancies	1 sq. in./1000 Btu/hr for furnace type units. ½ of the chimney connector area for free standing and fireplace type units. In accordance with equipment listing, if listing includes combustion air provisions.	

(b) *Combustion air for power burners.* The free area for combustion air intakes for power burners, including forced draft and induced draft systems, shall be at least 0.5 square feet per 1,000,000 Btu per hour fuel input, with a minimum free area of 10 square inches.

(c) *Combustion air by mechanical means.* Combustion air furnished by mechanical systems, such as makeup air units, may be used when complete design data is submitted and approved by the department.

(d) *Combustion air by infiltration.* If the heating equipment is not required to be located in a fire-resistive room, combustion air may be provided by means of infiltration where the total area of outdoor openings is greater than 3% of the floor area in which the equipment is located, or where 150% of the air required for theoretical complete combustion is no greater than ¼ air change per hour. The most restrictive result of the 2 procedures shall govern the design.

Note: See s. ILHR 64.22 for special conditions.

(2) **DAMPERS.** (a) Manually operated dampers are prohibited in combustion air intakes, except for manually fired solid-fuel fired equipment, where the combustion air is connected directly to the equipment.

(b) A motorized damper shall be permitted in combustion air intake if a means is provided to ensure that the damper is open when the burner is in operation.

(3) **DUCTWORK.** Where ductwork is required to bring combustion air into the building, the duct shall have the same cross-sectional area as the free area of the combustion air openings.

(4) **SEGREGATION OF COMBUSTION AIR.** The combustion air path shall be completely segregated from the outside air ventilation ductwork.

Register, January, 1994, No. 457

(5) **NEGATIVE PRESSURE LOCATIONS.** Atmospheric combustion shall be prohibited in a space under negative pressure.

(6) **MOUNTING HEIGHT.** Mounting height of the combustion air intakes shall be as required in s. ILHR 64.19 (1) (c).

(7) **AIR HANDLING EQUIPMENT LOCATED IN A BOILER OR FURNACE ROOM.** If the fuel input rating of the fuel burning equipment exceeds 400,000 Btu per hour, the air-handling equipment and the fuel-burning equipment shall be interlocked to shut off the fuel-burning equipment and the air-handling equipment when any service door of the air-handling equipment is opened, unless an air barrier separation is provided between the fuel-burning equipment and the air-handling equipment.

History: Cr. Register, December, 1975, No. 240, eff. 1-1-76; r. and recr. Register, December, 1976, No. 252, eff. 1-1-77; renum. (1) (b) and (c) to be (c) and (d), cr. (1) (b), and am. (7), Register, December, 1977, No. 264, eff. 1-1-78; am. (5), Register, December, 1978, No. 276, eff. 1-1-79; am. (1) (d), Register, January, 1980, No. 289, eff. 2-1-80; am. (1) (a) and (d) (2) (a), (5) and (7), Register, December, 1981, No. 312, eff. 1-1-82; am. (1) (d), Register, December, 1983, No. 336, eff. 1-1-84; r. and recr. (2) (b), Register, March, 1991, No. 423, eff. 4-1-91; am. (1) (b) and (7), Register, January, 1994, No. 457, eff. 2-1-94.

ILHR 64.10 Refrigerants. The rules covering the use of refrigerants for air conditioning systems shall conform with ch. ILHR 45, Mechanical Refrigeration.

History: Cr. Register, December, 1975, No. 240, eff. 1-1-76.

Subchapter III — Ventilation and Air Standards

ILHR 64.11 Ventilation and air standards. The quantity of air used to ventilate a given space during periods of occupancy shall always be sufficient to maintain the stan-

dards of air distribution, air movement, recirculation, ss. ILHR 64.12 to 64.19.

History: Cr. Register, December, 1975, No. 240, eff. 1-1-76.

ILHR 64.12 Definitions. (1) "Air conditioning." The process of treating air to control temperature, humidity, cleanliness and distribution to meet the requirements of the conditioned space.

(1m) "Air movement" means the circulation of air within a space independent of the addition or removal of air to or from the space.

(2) "Outside air." Air that is taken from outside the building and is free from contamination of any kind in proportions detrimental to the health or comfort of the persons exposed to it.

(3) "Recirculated air." The transfer of air from a space through the air-handling equipment and back to the space.

(4) "Tempered air." Air transferred from a heated or cooled area of a building.

(5) "Tempered outside air." Outside air heated or cooled before distribution.

(6) "Ventilation." The process of supplying or removing air by natural or mechanical means, to or from any space.

History: Cr. Register, December, 1975, No. 240, eff. 1-1-76; reprinted to correct error in (6), Register, December, 1985, No. 360; cr. (1m), Register, January, 1994, No. 457, eff. 2-1-94.

ILHR 64.13 Tempered air requirements. (1) **SUPPLY AIR.** The design conditions of the supply air temperature to the occupied space shall be between 50° F. and 140° F.

(2) **TEMPERED AIR SUPPLY DEPENDING ON NEGATIVE PRESSURE.** A supply of tempered air, depending on a negative pressure within the space, will be permitted in foundries, steel fabricating shops and similar areas.

History: Cr. Register, December, 1975, No. 240, eff. 1-1-76.

ILHR 64.14 Tempered outside air requirements. (1) **MAKEUP AIR.** A supply of tempered outside air shall be provided when the total volume of building exhaust from an area exceeds one air change per hour.

Note: See ch. ILHR 32, Safety & Health Standards for Public Employees, for further requirements for makeup air for industrial exhaust systems.

(2) **PROCESS HEAT.** Process heat may be used to temper required outside air.

History: Cr. Register, December, 1975, No. 240, eff. 1-1-76.

ILHR 64.15 Air movement and distribution. The air delivery capacity of all equipment supplying air for heating, ventilating and air conditioning purposes shall be based on standard air ratings.

Note: Standard air is substantially equivalent to dry air at 70° F. and 29.92 inches (Hg) barometric pressure.

History: Cr. Register, December, 1975, No. 240, eff. 1-1-76; renum. (2) and (3) to be 64.06 (3) and (4), r. (4), Register, December, 1976, No. 252, eff. 1-1-77.

ILHR 64.16 Air-cleansing devices. (1) **AIR-CLEANSING ACCESS.** Air-cleansing devices shall be designed and installed to permit access to the equipment for maintenance

and to insure proper operation of the heating and ventilating system.

(2) **AIR-CLEANSING FILTERS.** Approved air-cleansing filters shall be designed and installed in a manner to filter the outside air and recirculated air used with mechanical heating and ventilating systems except as follows:

(a) Filters are not required in garages, factories, foundries and similar occupancies;

(b) Filters are not required for use with unit heaters designed for heating and recirculation; or

(c) Where jet systems or blend-air systems are approved, air filters are not required in the ducts that are installed for the recirculation of air within the same occupied space.

Note: The department recognizes as approved, filters listed in the Building Materials List published by Underwriters' Laboratories, Inc., and test data of any other recognized testing agency for the purpose for which it is used.

(3) **AIR-CLEANSING MATERIALS.** Contaminated water shall not be used or recirculated through sprays affecting air used for ventilating purposes.

History: Cr. Register, December, 1975, No. 240, eff. 1-1-76

ILHR 64.17 Controls. (1) **GENERAL.** Except as provided in sub. (2), automatic controls shall be provided to maintain design temperature, control ventilation to provide a continuous air movement of not less than the minimum required by this chapter, and to provide a continuous supply of outside air and exhaust determined by the provisions of s. ILHR 64.05, Table 1, during periods of occupancy.

(2) **EXCEPTION.** Manual control of solid-fuel fired equipment to maintain inside design temperature is permitted.

History: Cr. Register, December, 1975, No. 240, eff. 1-1-76; am. Register, December, 1981, No. 312, eff. 1-1-82.

ILHR 64.18 Contamination of air. (1) **CONTAMINATION.** Air contaminated from odors, fumes, noxious gases, smoke, steam, dust, spray, or other contamination shall be diluted with uncontaminated air or exhausted to prevent the contaminated air from spreading to other parts of the building occupied by people.

Note: For requirements pertaining to all places of employment or occupancy where smoke, gas, dust, fumes, steam, vapor, industrial poisons, or other detrimental materials are used, stored, handled, or are present in the air in sufficient quantities to obstruct the vision, or to be injurious to the health, safety or welfare of the employees or frequenters, see ch. ILHR 32, Safety and Health Standards for Public Employees.

(a) *Chlorinated hydrocarbons.* Areas where chlorinated hydrocarbons are introduced shall be arranged to satisfy the following conditions:

Note: Some of the chlorinated hydrocarbons commonly used are: trichloroethylene, perchloroethylene, carbon tetrachloride, methylene chloride, methyl chloroform, Freon F-11, Freon F-12, Freon F-21 and Freon F-114. For example, these materials are used in dry cleaning establishments, in degreasing operations, and where pressure can propellants are used. Pressure cans are used for such products as enamels, lacquers, paint removers, stencil inks, lubricants, pesticides, hair sprays, shaving lathers, shampoos and colognes.

1. The area shall have an exhaust system capable of maintaining a negative pressure within the enclosed area.

Register, January, 1994, No. 457

ILHR 64.18

2. The volume and distribution of air movement within the area shall be such that the average threshold limit values of specific airborne contaminants are not exceeded.

Note: See ch. ILHR 32, Safety and Health Standards for Public Employes.

3. No fuel-fired heating unit, with or without a heat exchanger, shall be located within this area, nor shall it recirculate air from this area.

4. The surface temperatures of any type of heating equipment used in these areas shall be below the temperature at which toxic materials may be released.

Note: Toxic materials are those covered in ch. ILHR 32, Safety and Health Standards for Public Employes.

(b) *Transfer of contaminated air.* Air shall not be transferred from an area of greater contamination.

Note: The department will accept air transferred from: corridor to toilet room; corridor to cloak room or janitor closet; dining room to kitchen; locker room to toilet room; gymnasium to locker room; showroom to garage; and corridor to school vocational shops.

History: Cr. Register, December, 1975, No. 240, eff. 1-1-76; am. (1) (a) 3., Register, January, 1980, No. 289, eff. 2-1-80.

ILHR 64.19 Location of outside ventilating air intakes or exhausts for mechanical ventilation systems. (1) LOCATION AND DISTANCE. (a) Location to prevent contamination. Outside air intake openings shall be located so as to minimize contamination of outdoor air, but in no case shall the distance be less than 10 feet measured in any direction from outlets emitting products of combustion, exhaust vents and plumbing vents. Openable windows are exempt from the provisions of this paragraph, except that power vents from gas-fired equipment shall be located at least 12 inches measured in any direction from any openable windows.

Note: This requirement also applies to roof-top heating and ventilating equipment.

(b) *Distance to adjacent properties.* Air intakes and exhausts shall be at least 10 feet from a property line or lot line or both or an adjacent building on the same property. This distance restriction does not apply to property lines along streets or alleys.

(c) *Mounting height.* The lowest side of outside air intake openings shall be located at least 12 inches above outside grade, above adjoining roof surfaces, or above the bottom of an areaway.

Note: The department will accept outside air intakes in areaways provided the minimum horizontal cross section of the areaway is equal to the free area of the opening, a grating is provided over the areaway with a free area equal to the required air intake, and the grating is designed for a minimum of 100 PSF live load. A guardrail, as defined in s. ILHR 51.162, will be accepted in lieu of the grating.

(2) **SCREENS.** All outside air intake openings shall be provided with a device to prevent intake of foreign material of ½ inch size or larger.

(3) **WEATHER PROTECTION.** All outside air intake openings shall be protected against weather and water with a weatherproof hood or louvers.

(4) **ACCESSIBILITY AND CLEANLINESS.** All outside air intakes shall be easily accessible for cleaning and shall be kept clean and sanitary.

Register, January, 1994, No. 457

(5) **DAMPERS. (a) Intake.** All required outside air intakes shall be equipped with a damper with automatic controls which will close the damper and prevent the intake of outside air into the building when the ventilating unit is not in operation.

(b) *Exhaust.* All exhaust openings shall be provided with automatic or self-activating back-draft dampers to prevent the intake of outside air into the building when the exhaust units are not in operation.

Note: See s. ILHR 64.57 for additional requirements for the location of intakes and exhausts for hospitals and nursing homes. See the Plumbing Code, chs. ILHR 81-87 for additional clearance requirements for plumbing vents.

History: Cr. Register, December, 1975, No. 240, eff. 1-1-76; am. (5) (a), Register, December, 1976, No. 252, eff. 1-1-77; reprinted to correct error in (1) (c), Register, December, 1985, No. 360.

Subchapter IV — Heating Equipment Requirements

ILHR 64.20 Equipment ratings and safety controls. (1) TEST AND INSTALLATION STANDARDS. All oil- and gas-fired heating equipment, electric heating equipment, solid-fuel heating equipment and accessory equipment or devices shall be tested and installed in accordance with standards recognized by the department. Department review and approval of input or output ratings or both are required when ratings are needed to satisfy s. ILHR 64.03 or 64.09.

Note: For a list of standards acceptable to the department, refer to Appendix A.

(2) **SAFETY CONTROLS. (a) General.** The complete safety control package for the heating and ventilating equipment shall comply with standards accepted by the department.

(b) *Limits and controls.* Oil and gas-fired heating equipment and electric heating equipment shall be equipped with primary (flame safeguard) safety controls, safety limit switches, and burners or electric elements that comply with standards accepted by the department.

Note: The department recognizes UL 296 — Oil Burners, and UL 795 — Commercial-Industrial Gas-Heating Equipment, as acceptable standards that satisfy the requirements of subs. (1) and (2).

(3) **LISTED EQUIPMENT.** Complete factory assembled heating units shall be labeled by listing agencies approved by the department.

Note: The department accepts heating equipment listed by the American Gas Association (AGA), Underwriters Laboratories (UL), ETL Testing Laboratories, Warnock Hersey International, Inc., Northwest Testing Laboratories, Inc. and PFS corporation.

(4) **UNLISTED EQUIPMENT.** If the heating equipment is unlisted, the following provisions shall be taken:

(a) *Manufacturer's statement.* A statement from the equipment manufacturer shall be provided indicating the national standard with which the equipment complies.

(b) *Tests.* A test by a Wisconsin registered engineer shall be conducted on the output and safety controls, in accordance with the national standard used by the manufacturer. A statement regarding the test of the rating and safety controls shall be furnished for each installation unless an approval for the equipment is obtained from the department in accordance with sub. (5).

(5) EQUIPMENT APPROVAL. Equipment approval may be obtained from the department upon submission of a technical report, based on the test required in sub. (4) (b), together with the fee as specified in ch. ILHR 2 for equipment approval.

Note: The purpose of the technical report is to show that the equipment is in complete compliance with the national standard by which the equipment is designed, constructed and tested.

History: Cr. Register, December, 1975, No. 240, eff. 1-1-75; r. and recr. Register, December, 1976, No. 252, eff. 1-1-77; am. (5), Register, December, 1977, No. 264, eff. 1-1-78; am. (1), Register, December, 1981, No. 312, eff. 1-1-82; am. (5), Register, January, 1994, No. 457, eff. 2-1-94.

ILHR 64.21 Location of equipment. The various types of heating equipment for the corresponding types of occupancies in which the equipment may be located shall be installed as specified in Table 64.21.

Note 1: The footnotes below the table designate special requirements for the listed equipment.

Note 2: The department will accept net ratings as listed by Mechanical Contractors Association of America, Inc., Institute of Boiler and Radiator Manufacturers, and equipment tested according to commercial standard 140-47.

(1) CENTRAL FURNACES. For the purpose of this section, a central furnace shall be considered as a direct vent sealed combustion chamber appliance, if the furnace conforms to ANSI Z21.64 and has been issued a material approval under s. ILHR 50.19.

(2) BOILERS AND WATER HEATERS. For the purpose of this section, a low pressure boiler or a water heater shall be considered as a direct vent sealed combustion chamber appliance, if:

(a) The boiler or water heater conforms to those parts of ANSI Z21.13, Z21.10.1, or Z21.10.3, whichever is applicable, relating to direct vent sealed combustion chamber appliances;

(b) All parts of the direct vent system for the boiler or water heater conform to s. 1.1.7 of ANSI Z21.64; and

(c) The boiler or water heater has been issued a material approval under s. ILHR 50.19.

Note: See appendix for further explanatory material.

TABLE 64.21 - LOCATION OF EQUIPMENT

Location and type of Occupancy	VENTED UNITS							UNVENTED UNITS			ELECTRIC Furnaces, Unit Heaters, Heat Pumps, Baseboard Heaters, etc.	WATER OR STEAM Unit Ventilators, Heaters, Makeup Air Units, Baseboard Heaters, etc.	
	Gas or Oil or Solid Fuel Boilers	Gas or Oil or Solid Fuel Purchases	Gas or Oil Unit Heater	Gas or Oil Infrared		Gas or Oil Space Heater	Solid Fuel Space Heater ^{1,2}	Gas Direct Vent Sealed Combustion Appliance ¹⁰	Gas Direct Fired Makeup Air ^{3,4}	Gas Infrared			
				Closed Combustion Infrared Equipment with Surface Temperatures not Exceeding 1500°F	Open Flame Infrared Equipment with Sur- face Temperatures Exceeding 1500°F								
Type of Occupancy	Rated Enclosure	Rated Enclosure	Suspended ⁵	Suspended ⁵	Suspended ⁵			Rated Enclosure Not Required	Suspended ⁵	Suspended ⁵			
Factories	Yes ⁵	Yes ⁵	Yes	Yes	Yes	Yes	Yes	Yes	Yes	Yes	Yes		
Merchandise Buildings	Yes ⁵	Yes	Yes	Yes	Yes	Yes	Yes	N.P.	N.P. 5,6	N.P.	N.P.		
Office Buildings	Yes ⁵	Yes	Yes	Yes	Yes	N.P.	N.P.	N.P.	N.P. 5,6	N.P.	N.P.		
Places of assembly, entertain- ment, recreation, worship or dining (100 persons or less)	Yes ⁵	Yes	Yes	Yes	Yes	Yes	N.P.	N.P.	N.P. 5,6	N.P.	N.P.		
Tennis Facilities (court areas only)	Yes ⁵	Yes	Yes	Yes	Yes	Yes	N.P.	N.P.	N.P. 5,6	N.P.	N.P.		
Tennis Facilities (all other areas)	Yes ⁵	Yes	Yes	Yes	Yes	N.P.	N.P.	N.P.	N.P. 5,6	N.P.	N.P.		
Theaters & places of assembly, entertainment, recreation, worship or dining (more than 100 persons)	Yes	Yes	Yes	Yes	Yes	N.P.	N.P.	N.P.	N.P.	N.P.	N.P.		
Restaurants	Yes	Yes	Yes	Yes	Yes	N.P.	N.P.	N.P.	N.P.	N.P.	N.P.		
Tennis Facilities (court areas only)	Yes	Yes	Yes	Yes	Yes	N.P.	N.P.	N.P.	N.P.	N.P.	N.P.		
Tennis Facilities (all other areas)	Yes	Yes	Yes	Yes	Yes	N.P.	N.P.	N.P.	N.P.	N.P.	N.P.		
Schools & Other Places of Instruction	Yes	Yes	Yes	Yes	Yes	N.P.	N.P.	N.P.	N.P.	N.P.	N.P.		
Hospitals, Nursing Homes & Fetal Institutions	Yes	Yes	N.P.	N.P.	N.P.	N.P.	N.P.	N.P.	N.P.	N.P.	N.P.		
Residential Occupancies	Yes	Yes	N.P.	N.P.	N.P.	N.P.	N.P.	N.P.	N.P.	N.P.	N.P.		
Hazardous Occupancies	Yes	Yes	Yes ¹²	Yes ¹³	Yes ¹³	Yes	Yes	N.P.	N.P. 11	N.P.	N.P.		
Garages	Yes	Yes	Yes ¹²	Yes ¹³	Yes ¹³	Yes	Yes	N.P.	N.P. 15	N.P.	N.P.	Yes ¹²	Yes ¹²
Aircraft Hangars	Yes	Yes	Yes ¹³	Yes ¹³	Yes ¹³	Yes	Yes	N.P.	N.P.	N.P.	N.P.	Yes ¹³	Yes ¹³
Day Care Centers	Yes ¹⁶	Yes	Yes	Yes	Yes	Yes	Yes	N.P.	N.P. 6	N.P.	N.P.	N.P.	N.P.
Community Based Residential Facilities ¹⁷	Yes	Yes	N.P.	N.P.	N.P.	N.P.	N.P.	N.P.	N.P. 6	N.P.	N.P.	N.P.	N.P.

N.P. = Not Permitted

Unlisted Occupancies - Use the listed occupancy in the table that is most similar to the subject occupancy.

Clearances - Equipment shall be installed in accordance with the clearance from combustibles indicated in the name plate of the unit.

- See s. ILHR 64.22 (7) (d) for fireplace requirements.
- All solid-fuel fired space heaters shall be located in occupied space or in a space provided with approved smoke detectors and located or guarded to maintain clearances to combustibles and prevent accidental damage or contact with hot surfaces. Solid-fuel burning stoves are limited to 150,000 Btu/hr output.
- Except as provided in Footnote 4, direct-fired makeup air units shall be mechanically exhausted in the range of 90% to 110% of the air supplied.
- See s. ILHR 64.22 (4) for other permitted uses of direct fired unvented natural gas heaters.
- Where permitted, such equipment other than infrared shall be located in an occupied space (see s. ILHR 64.22 (3)) and suspended at least 7 feet above the floor. Infrared equipment shall be located at least 8 feet above the floor. Suspension of solid-fuel fired equipment is not permitted. See s. ILHR 64.14 (3) for additional requirements.
- Permitted with combustion air ducted to unit in occupancies less than 3,000 square feet gross area and with occupant load less than 100 persons.
- Permitted in kitchens to provide makeup air for kitchen exhaust systems if located outside building or in a rated enclosure.
- Permitted only in shops with a 3-hour separation from other areas of the school building.
- Permitted only in shops with a 3-hour separation from other areas of the school building.
- Gas-fired, direct-vent wall furnaces are permitted in apartments and motels.
- Suspended heating units are allowed in garages if located at least 8 feet off the floor. Suspension of solid-fuel fired equipment is not permitted.
- Suspended heating units are allowed if located at least 10 feet above the upper surface of the wings or engine enclosure of the aircraft. Suspension of solid-fuel fired equipment is not permitted.
- Solid-fuel fired space heaters are permitted in rowhouse units only.
- Waste oil burners are permitted provided they are installed on service platforms located at least 8'-0" above the main floor and are visible from the main floor or suspended, if recognized under the units' listings, at least 8'-0" above the main floor and are visible from the main floor.
- See s. ILHR 60.25 for smoke detector alternative.
- See s. ILHR 61.24 for requirements.
- See s. ILHR 51.01(29a), 54.14(1)(b), 55.29(1)(b), 56.15(1)(c), 57.14(1)(c)5., 59.21, 60.25(1), 62.32(1)(b) and 62.78(1)(b) for additional requirements.

History: Cr. Register, December, 1976, No. 240, eff. 1-1-76; r. and recr. Register, December, 1976, No. 252, eff. 1-1-77; r. and recr. table, Register, December, 1983, No. 336, eff. 1-1-84; am. (Intro.) and r. and recr. table, Register August, 1985, No. 356, eff. 1-1-86; cr. (1) and (2), Register, March, 1991, No. 423, eff. 4-1-91; am. (2) (b), cr. (2) (c), Register January, 1994, No. 457, eff. 2-1-94.

ILHR 64.22 Special requirements. (1) BOILERS AND PRESSURE VESSELS. (a) *Construction standards.* Boilers and pressure vessels shall be constructed and installed in compliance with the standards of the American Society of Mechanical Engineers, as adopted under chs. ILHR 41-42.

(b) *Installation notification.* The installing contractor shall notify the department of boiler installation, in accordance with the requirements of s. ILHR 41.05, before the boiler or pressure vessel is put into operation.

(2) **FURNACES.** Forced-air heating systems shall be designed to prevent a negative pressure on the heat exchanger.

(3) **SUSPENDED EQUIPMENT.** Equipment suspended as specified in s. ILHR 64.21 shall be installed in an occupied space. Suspended equipment may be used in multiple tenant buildings providing the equipment is located in tenant spaces of an occupancy use where suspended equipment is permitted. The equipment shall be visible to persons within the room.

(4) **GAS OR OIL-FIRED RADIANT HEATERS AND DIRECT FIRED UNVENTED NATURAL GAS HEATERS.** Gas- or oil-fired radiant heaters and direct fired unvented natural gas heaters are subject to the following provisions:

(a) The heaters shall be equipped with an automatic pilot of the complete shutoff type or with a 100% shutoff electric ignition;

(b) If unvented radiant heaters or direct fired unvented natural gas heaters are used, mechanical means shall be provided to supply at least 4 cfm of outside air per 1000 Btu per hour input of installed heaters;

(c) The amount of air supplied which exceeds the building's designed infiltration rate shall be relieved through relief openings or interlocked power exhaust. Relief openings may be louvers, gravity siphon-type roof ventilators, counterbalanced gravity dampers or motorized dampers provided the motorized damper is interlocked with the supply fan so as not to permit blower operation until the damper is proved in the open position.

(d) Oil-fired radiant heaters shall be equipped with mechanical pressure-atomizing burners; and

(e) Direct fired unvented natural gas heaters shall comply with ANSI Z83.18.

(5) **SPACE HEATERS.** Space heaters shall comply with the following provisions:

(a) The burner of the appliance shall be enclosed with a metal housing so constructed that there will be no open flame and the burner housing shall be effectively guarded against personal contact. The arrangement shall be such that the shield will prevent any combustible material in the vicinity of the appliance from coming in contact with the flame or with the housing that encloses the burner. Oil-fired space heaters shall be equipped with a mechanical pressure atomizing burner; and

(b) Space heaters shall not be equipped with duct extensions beyond the vertical and horizontal limits of the metal enclosure.

(c) The use of unvented space heaters fueled by natural gas, kerosene, alcohol or other fuel shall be prohibited based on the facts of oxygen depletion; contamination from carbon monoxide, carbon dioxide, nitrogen dioxide, formaldehyde and other combustion-related contaminants; and water vapor development.

(6) **EQUIPMENT IN HAZARDOUS LOCATIONS.** The types of heating and ventilating equipment that may be installed in hazardous locations (as defined in Article 500 of the National Electrical Code as adopted by reference in ch. ILHR 16) are as follows:

(a) Listed low-pressure steam or hot water unit heaters and makeup air units; and

(b) Listed electric units.

(7) **FIREPLACES AND FIREPLACE STOVES.** Masonry fireplaces, factory-built fireplaces and factory-built fireplace stoves shall be constructed and installed in accordance with the NFPA standard No. 211 — Standard for Chimneys, Fireplaces and Vents.

(a) *Masonry fireplaces.* 1. Masonry fireplaces shall be constructed of solid masonry units, stone or reinforced portland or refractory cement concrete.

a. Where a lining of low-duty firebrick complying with the provisions of ASTM C64, or the equivalent, at least 2 inches thick laid-in fire-clay mortar complying with the provisions of ASTM C105, or the equivalent, or other approved lining is provided, the total thickness of back and sides, including the lining, shall not be less than 8 inches.

b. Where the lining described in subpar. a. is not provided, the thickness of back and sides shall not be less than 12 inches.

2. Steel fireplace units incorporating a firebox liner of not less than ¼ inch thick steel and an air chamber shall be installed with masonry to provide a total thickness at the back and sides of not less than 8 inches, not less than 4 inches of which shall be solid masonry.

3. Warm air ducts employed with steel fireplace units of the circulating air type shall be constructed of metal or masonry.

4. Fireplace hearth extensions of approved noncombustible material for all fireplaces shall be provided.

a. Where the fireplace opening is less than 6 square feet, the hearth extension shall extend at least 16 inches in front of, and at least 8 inches beyond each side of the fireplace opening.

b. Where the fireplace opening is 6 square feet or larger, the hearth extension shall extend at least 20 inches in front of, and at least 12 inches beyond each side of the fireplace opening.

c. Where a fireplace is elevated above or overhangs a floor, the hearth extension shall also extend over the area under the fireplace.

d. Fireplaces constructed of masonry or reinforced portland or refractory cement concrete shall have hearth extensions of brick, concrete, stone, tile or other approved noncombustible material properly supported and with no combustible material against the underside thereof.

ILHR 64.22

Wooden forms or centers used during the construction of hearth and hearth extension shall be removed when the construction is completed.

5. All wood beams, joists and studs shall be trimmed away from fireplaces. Headers supporting trimmer arches at fireplaces shall be not less than 20 inches from the face of the chimney breast. Trimmers shall not be less than 6 inches from the inside face of the nearest flue lining.

6. Woodwork shall not be placed within 4 inches of the back face of a fireplace.

7. Woodwork shall not be placed within 6 inches of a fireplace opening. Woodwork above and projecting more than 1½ inches from a fireplace opening shall not be placed less than 12 inches from the top of a fireplace opening.

(b) *Factory-built fireplaces and fireplace stoves.* Factory-built fireplaces and fireplace stoves shall be installed according to the requirements of the approval as specified in s. ILHR 64.20.

(c) *Hearth opening protection.* Fireplaces and fireplace stoves shall be equipped with safety screens or glass doors to prevent the escape of sparks and embers.

(d) *Permitted installations.* Fireplaces are permitted in the following applications.

1. In all occupancies within the scope of chs. ILHR 54 and 55;

2. In health care facilities as specified in s. ILHR 58.24 (3);

3. In common use areas of residential occupancies; and

4. In individual living units of residential occupancies except that fireplaces in individual living units of hotels and motels shall comply with the following:

a. The appliance shall be gas-fired and shall be tested and installed in accordance with standards recognized by the department.

Note: ANSI Z21.50 and ANSI Z32.60 are recognized by the department. See s. ILHR 64.21 (3) for listing requirements.

b. The appliance shall be designed to be ignited by an intermittent ignition device.

c. The fire box shall be provided with a permanently installed glass partition to prevent access to the fire box and appliance. The partition shall be designed to be compatible with the appliance listing.

Note: Operation of the appliance via a control located outside the fire box will be necessary.

d. Outside air shall be provided for combustion in accordance with s. ILHR 64.09. Combustion air shall not be provided via infiltration.

(8) **FLOOR-STANDING VENTED OR UNVENTED EQUIPMENT.** Floor-standing, vented or unvented unit heaters, furnaces and boilers in metal fabricating plants, foundries and machine shops are exempt from the requirements of s. ILHR 54.14.

(9) **HEAT EXCHANGER CORROSION PROTECTION.** If the entering air to the heat exchanger of all gas-fired equipment

is 30°F or lower, the heat exchanger and burners shall be constructed of corrosion-resistive materials.

History: Cr. Register, December, 1975, No. 240, eff. 1-1-76; r. and recr. Register, December, 1976, No. 252, eff. 1-1-77; r. (4) (d) and renum. (4) (e) to be (d), Register, December, 1977, No. 264, eff. 1-1-78; am. (1) (b) and cr. (7), Register, December, 1978, No. 276, eff. 1-1-79; r. and recr. (2) and (7), Register, December, 1981, No. 312, eff. 1-1-82; r. and recr. (4), cr. (5) (c), (7) (d) and (8), Register, December, 1983, No. 336, eff. 1-1-84; am. (1), (3) (intro.), (4) (b) and (6) (intro.), r. (3) (a) and cr. (9), Register, August, 1985, No. 356, eff. 1-1-86; am. (3) and (4) (e), r. and recr. (4) (c), Register, March, 1991, No. 423, eff. 4-1-91; r. and recr. (7) (d) 3. and 4., Register, January, 1994, No. 457, eff. 2-1-94.

ILHR 64.23 Piping. (1) PIPE SIZES AND ARRANGEMENT. All supply and return piping carrying steam, hot water or other fluids, air-line piping and auxiliary equipment shall be of appropriate sizes, elevations and arrangements to accomplish the calculated services in practical operation, without undue noise, stress or other detriment.

(2) **EXPANSION AND CONTRACTION.** The piping for the heating system shall be equipped with anchors, expansion swings or joints, supports and similar devices to relieve stress and strains caused by temperature change of the pipe material.

(3) **PIPE INSULATION.** All supply and return piping carrying steam, hot water or other fluids shall be covered with insulating material where the pipes pass through occupied areas and the surface temperature exceeds 180° F., unless guarded.

(4) **PIPE PROTECTION.** No pipe carrying hot water, steam, or other fluid at a surface temperature exceeding 250° F. shall be placed within one inch of any woodwork, pass through a combustible floor, ceiling or partition, unless the pipe is protected by a metal tube one inch larger in diameter than the pipe or with approved pipe covering.

(5) **GAS OR OIL INSTALLATIONS.** (a) *Piping installations.* All gas piping and all oil piping shall comply with the following standards:

1. National Fuel Gas Code, NFPA No. 54; or

2. Installation of Oil-Burning Equipment, NFPA No. 31.

(b) *Oil tank installation.* Oil tanks serving oil-burning equipment shall be installed in accordance with ch. ILHR 10.

History: Cr. Register, December, 1975, No. 240, eff. 1-1-76; r. and recr. Register, December, 1976, No. 252, eff. 1-1-77; am. (1), (3) and (4), Register, December, 1978, No. 276, eff. 1-1-79; am. (5) (a), Register, January, 1980, No. 289, eff. 2-1-80; am. (5) (a) 1. and 2. r. and recr. (5) (b), Register, March, 1991, No. 423, eff. 4-1-91.

Subchapter V — Air Delivery Systems

ILHR 64.31 Duct design. All ducts shall be designed to promote the unrestricted flow of air.

Note: The department will accept air duct velocities designed in accordance with the standards of the ASHRAE Handbook of Fundamentals, published by the American Society of Heating, Refrigerating and Air Conditioning Engineers.

History: Cr. Register, December, 1975, No. 240, eff. 1-1-76.

ILHR 64.32 Duct use. No duct designed for the transmission of air shall be used for any other purpose.

History: Cr. Register, December, 1975, No. 240, eff. 1-1-76.

ILHR 64.33 Underground duct construction and installation. (1) MATERIALS. (a) *Tile ducts.* All underground duct systems using cement tile, glazed clay tile and other tile having a composition of cement and mineral shall be waterproof and shall have sufficient strength to prevent failure of duct at the time of installation and while in service. All fittings shall be designed with bell and spigot or slip-joint connections. All joints shall be waterproof.

(b) *Plastic and metal ducts.* Metal, plastic-coated metal ducts, and other approved materials may be used for underground systems if encased in not less than 2 inches of concrete. The ducts shall be waterproof, noncombustible, smooth and of sufficient strength to prevent collapse. The sealing material for fittings and joints shall be approved by the department.

1. Exception. Solid polyvinyl ducts and fittings and polyvinyl chloride (pvc)-clad metallic ducts and fittings need not be encased in concrete provided the space around the ducts and fittings is backfilled with sand or similar fill material.

(2) **DUCT INSULATION.** All underground ducts shall be insulated as specified in s. ILHR 63.22 (1).

(3) **DUCT DRAINAGE.** Underground ducts shall be provided with drainage to a lower room of the building or to a sump. No duct shall be connected to a sewer.

(4) **DUCT INLETS AND OUTLETS.** A water-tight connection shall be provided where the inlet and outlet risers are connected to underground ducts.

(5) **PIPING.** Nonhazardous piping may be installed in underground ducts if it does not restrict the air flow.

History: Cr. Register, December, 1975, No. 240, eff. 1-1-76; am. (1) (b) and (2), Register, January, 1980, No. 289, eff. 2-1-80; am. (2), Register, December, 1983, No. 336, eff. 1-1-84.

ILHR 64.34 Duct construction. (1) METAL DUCTS. All sheet metal ducts, duct liners and fittings shall be constructed in compliance with standards approved by the department.

Note: The department will accept the standards for ducts in the ASHRAE Handbook of Equipment Volume, published by the American Society of Heating, Refrigerating and Air Conditioning Engineers, or as illustrated in the Low Pressure or High Pressure Duct Construction Standards published by the Sheet Metal and Air Conditioning Contractors National Association, Inc.

(2) **COMBUSTIBLE DUCTS.** All ducts or airways of wood or other combustible material shall be lined with sheet metal or other approved noncombustible material unless specifically exempted by this code.

(3) **NONMETALLIC DUCTS.** Coated metal ducts or ducts constructed of other than metal shall conform to the following:

(a) The method for fabricating, installing and supporting ducts shall be approved by the department;

Note: The department accepts Class 1 air ducts tested (Standards for Safety, UL 181) and listed by Underwriters' Laboratories, Inc., and constructed in accordance with fibrous glass duct construction standards published by the Sheet Metal and Air Conditioning Contractors National Association, Inc.

(b) The ducts shall resist puncture, deformation or collapse;

(c) The ducts shall not be used where the air temperature exceeds 250° F, for kitchen or fume exhaust ducts, or to convey solids or corrosive gases;

(d) The ducts shall not pass through required fire-resistive construction.

(4) **SPIRALLY WOUND METAL DUCTS.** Spirally wound metal ducts shall be constructed to provide structural strength equal to rectangular ducts. The metal may be one standard gauge lighter than required for round ducts.

History: Cr. Register, December, 1975, No. 240, eff. 1-1-76; am. (3) (intro.), Register, January, 1980, No. 289, eff. 2-1-80; reprinted to correct error in (3), Register, May, 1980, No. 293; am. (1) and r. (3) (e), Register, August, 1985, No. 366, eff. 1-1-86.

ILHR 64.35 Duct connectors. (1) FLEXIBLE DUCT CONNECTORS. Flexible duct connectors between duct systems and air outlets or air outlet units shall conform to the following:

(a) The duct material shall be approved for such use;

Note: Flame-retarded fabric or metal or mineral listed in the Building Materials List, published by Underwriters' Laboratories, Inc., are acceptable.

(b) The construction shall be approved by the department;

(c) The connector shall not be subject to deterioration from mildew or moisture; and

(d) The connector shall not pass through required fire-resistive construction.

(2) **VIBRATION CONTROL.** Vibration isolation connectors at the joint between the duct and fan or heat-producing equipment shall conform to the following:

(a) Connectors shall be a type approved for such use;

Note: Flame-retarded fabric or metal or mineral listed in the Building Materials List, published by Underwriters' Laboratories, Inc., are acceptable.

(b) Connectors shall be not more than 10 inches wide; and

(c) Connectors shall not be used where the air temperature is in excess of 250° F.

History: Cr. Register, December, 1975, No. 240, eff. 1-1-76.

ILHR 64.36 Vertical shafts. Every vertical shaft shall be enclosed with noncombustible material which is fire-resistive rated in accordance with Table 51.03-A.

History: Cr. Register, December, 1975, No. 240, eff. 1-1-76.

ILHR 64.37 Insulation. Heating supply ducts and pipes shall be covered with insulation unless an allowance is made for temperature drop in the system.

Note: Also see s. ILHR 63.22 for additional requirements.

History: Cr. Register, December, 1975, No. 240, eff. 1-1-76; am. Register, December, 1983, No. 336, eff. 1-1-84.

ILHR 64.38 Gravity ventilation ducts. (1) DESIGN. Horizontal runs in gravity ventilation ducts connected to siphon-type roof ventilators shall be avoided wherever possible and the maximum practicable inclination shall be provided in all cases. In no case shall the horizontal run exceed 30% of the vertical run unless the room has a

Register, January, 1994, No. 457

ILHR 64.38

mechanical supply of air or the ventilation duct is connected to an exhaust fan.

(2) **SEPARATE DUCTS.** Separate gravity ventilation ducts, from each area of similar occupancy, shall extend to a plenum at the base of a siphon ventilator.

(3) **PLENUMS.** Gravity ventilation ducts, used with mechanical ventilation supply systems, shall not terminate in an attic plenum unless the plenum is airtight, of noncombustible construction, and the attic floor is smooth. All collecting plenums shall be connected to an approved siphon-type roof ventilator or to an exhaust fan discharging outside the building.

(4) **DAMPERS.** Dampers are prohibited in gravity ventilation ducts, except atmospheric back-draft dampers are permitted.

History: Cr. Register, December, 1975, No. 240, eff. 1-1-76; am. (3), Register, March, 1991, No. 423, eff. 4-1-91.

ILHR 64.39 Ventilation discharge. All gravity and mechanical ventilation ducts shall be protected from the weather and shall be located and constructed to prevent contamination of an outside air supply. Gravity ventilation ducts shall extend not less than 2 feet above the highest portion of the building and shall be provided with an approved type of siphon roof ventilator.

History: Cr. Register, December, 1975, No. 240, eff. 1-1-76; am., Register, December, 1981, No. 312, eff. 1-1-82; am. Register, January, 1994, No. 457, eff. 2-1-94.

ILHR 64.40 Relief vents. (1) BAROMETRIC RELIEF VENTS PERMITTED. The use of barometric relief vents is permitted for type (a) and (b) ventilation classifications designated in s. ILHR 64.05. Where barometric relief vents are installed on the roof, the discharge openings shall not be less than 2 feet above the roof surface where the vent pierces the roof.

(2) **BAROMETRIC RELIEF VENTS PROHIBITED.** The use of barometric relief vents is prohibited for type (c) and (d) ventilation classifications designated in s. ILHR 64.05.

History: Cr. Register, December, 1975, No. 240, eff. 1-1-76; am. Register, December, 1976, No. 252, eff. 1-1-77; am. Register, January, 1994, No. 457, eff. 2-1-94.

ILHR 64.41 Plenums. (1) GENERAL. Plenums used for the supply, return or transfer of air shall be of noncombustible construction.

(a) *Exception.* Combustible ceiling materials may be used provided they comply with the following:

1. The ceiling material is made from a base material of metal or mineral;
2. All surfaces of ceiling material possess a flame-spread rating of not over 25 without evidence of continued progressive combustion and with a smoke-developed rating of not higher than 50;
3. The ceiling material is supported by noncombustible material having a melting point above 1400° F. (760° C); and
4. The ceiling material is not subject to deterioration or deformation on long exposure to temperatures of 250° F. (121° C) or under conditions of high humidity, excessive moisture, or mildew.

Register, January, 1994, No. 457

Note 1: This section permits the use of steel, painted steel bar joists and metal decking, concrete, plaster, and other noncombustible materials and restricts the use of certain combustible materials within air-handling plenums.

Note 2: The requirements for ceiling materials are based upon the National Fire Protection Association (NFPA) standard 90A, section 2-2.1.3.

(2) **DUCTWORK WITHIN THE PLENUM.** Ducts within the plenum shall be constructed of metal in accordance with s. ILHR 64.34 (1) or approved nonmetallic materials in accordance with s. ILHR 64.34 (3).

(3) **DUCT CONNECTORS.** Duct connectors shall comply with the requirements of s. ILHR 64.35.

Note: Flame-retardant fabric or metal or mineral listed in the Building Materials List, published by Underwriters' Laboratories, Inc., are acceptable.

(4) **INSULATING MATERIALS WITHIN THE PLENUM. (a) Duct and pipe insulation.** Duct and pipe insulation, including coverings, linings, tapes and core materials, shall have a flame-spread rating of not over 25 without evidence of continued progressive combustion, and a smoke-developed rating no higher than 50 when tested according to ASTM E-84 standard tests. If coverings and linings are to be applied with adhesives, they shall be tested as applied with such adhesives, or the adhesives used shall have a flame-spread rating not over 25 and a smoke-developed rating no higher than 50 when in the final dry state.

(b) *Building envelope insulation.* Building envelope insulation within the plenum space shall have a flame-spread rating of 25 or less and a smoke-developed rating of 50 or less when tested according to ASTM E-84 test standards. The use of foam plastics, satisfying the requirements of s. ILHR 51.06, for envelope insulation is permitted provided the foam plastic is protected by a thermal barrier as specified in s. ILHR 51.06 (3).

(5) **HAZARDOUS PIPING.** The installation of hazardous piping as defined in s. ILHR 51.01 (102) is prohibited in the plenum space, except as permitted under NFPA 54.

(6) **OPENINGS.** Openings into the plenum that would affect the fire-resistive rating of the structural component or system are prohibited.

(7) **WIRING AND CABLES.** Electric wiring, including low-voltage wiring, and telephone cables within the plenum space shall be installed according to the Wisconsin State Electrical Code, Vol. 2, ch. ILHR 16.

(8) **PLUMBING.** Plumbing within the plenum shall be of noncombustible material.

(a) *Exception.* Plastic plumbing pipe and fittings may be used provided the plastic material is of the self-extinguishing type with an average extent of burn not greater than 10 mm and an average time of burn not greater than 20 seconds when tested according to ASTM D-635. The plastic material shall be wrapped with at least one inch of noncombustible insulation or enclosed with ½ inch type X gypsum wallboard.

(9) **CONTROL TUBING.** Plastic control tubing shall have an average extent of burn not greater than 10 mm and an average time of burn not greater than 20 seconds when tested according to ASTM D-635.

(10) SMOKE DETECTION. (a) *New construction.* Air-handling plenums which contain ductwork, duct connectors, insulation, plumbing or control tubing which do not meet the requirements of subs. (2) to (4), (8) and (9), respectively, shall be provided with an approved smoke detection system capable of stopping the air flow in and from the plenum and giving an audible alarm in the occupied area when activated.

(b) *Existing construction.* When existing plenum construction contains combustible insulation, wiring, plumbing or control tubing, and is altered or added to according to s. ILHR 50.03 (1) or (2), the entire plenum space, new and existing, shall be provided with a smoke detection system according to sub. (10) (a).

1. Exception. Building additions separated from existing construction by one-hour noncombustible construction need not be provided with a smoke detection system provided the plenum is constructed according to subs. (1) to (8).

History: Cr. Register, December, 1975, No. 240, eff. 1-1-76; am. Register, December, 1976, No. 252, eff. 1-1-77; r. and recr. Register, December, 1978, No. 276, eff. 1-1-79; r. and recr. Register, January, 1980, No. 289, eff. 2-1-80; am. (1) (intro.), (6) and (10), Register, December, 1981, No. 312, eff. 1-1-82; am. (4) (b), Register, August, 1985, No. 356, eff. 1-1-86; am. (5) and (8) (a), Register, March, 1991, No. 423, eff. 4-1-91.

ILHR 64.42 Fire dampers and fire curtain doors. (1) REQUIRED FIRE DAMPERS AND FIRE CURTAIN DOORS. All heating and ventilating ducts, except underground ducts used with counterflow or downflow heating equipment, which terminate at or pierce code-required, hourly rated wall, floor or floor-ceiling assemblies as specified in Table 51.03-A and rated enclosures shall be protected as follows:

(a) One-hour rated assemblies and enclosures shall be protected with 1½ hour rated fire dampers where continuous steel ductwork to the air handling device is not provided for at least 6 feet on either side of the assembly or enclosure;

(b) Two-hour rated assemblies and enclosures shall be protected with 1½ hour rated fire dampers; or

(c) Three-hour and 4-hour rated assemblies and enclosures shall be protected with 3-hour "A" label fire curtain doors.

(2) EXCEPTIONS. Exceptions to sub. (1) are:

(a) Any assembly, such as a floor-ceiling assembly, that has been certified for use without fire dampers and approved by a nationally recognized testing laboratory;

(b) Metal ducts which do not exceed a maximum area of 20 square inches; or

(c) Interior bearing walls and partitions if unrated openings are permitted by other sections of chs. ILHR 50-64.

(3) SERVICING FIRE DAMPERS. Access panels shall be provided next to fire dampers and fire curtain doors to permit viewing and servicing.

Note 1: The department will accept fire dampers and fire curtain doors listed by Underwriters' Laboratories, Inc. or an approved nationally recognized testing laboratory. The dampers must be installed in the vertical or horizontal position that the dampers were designed and tested for. The department will also accept fire damper and fire curtain door installations recommended in publications of the Sheet Metal, Air Conditioning Con-

tractors National Association, Inc., and the National Fire Protection Association bulletins No. 80 and 90A.

Note 2: Fire dampers classified by Underwriters' Laboratories as 1½ hour rated assemblies are of single blade, multi-blade and curtain types. Fire curtain doors classified by Underwriters' Laboratories as time rated (3 hour) and labeled (A) are of the curtain-blade type.

Note 3: See s. ILHR 64.67 for fire damper requirements in kitchen exhaust systems.

History: Cr. Register, December, 1975, No. 240, eff. 1-1-76; r. (1) (a), renum. (1) (b) and (c) to be (1) (a) and (b), Register, December, 1976, No. 252, eff. 1-1-77; am. (2) (c), Register, December, 1977, No. 264, eff. 1-1-78; cr. (2) (d), Register, December, 1978, No. 276, eff. 1-1-79; am. (1) and (2), Register, December, 1981, No. 312, eff. 1-1-82; am. (1) (intro.) and (a), Register, December, 1983, No. 336, eff. 1-1-84.

ILHR 64.43 Dampers and damper controls. (1) VOLUME DAMPERS AND DEFLECTORS. Volume dampers, splitters and deflectors shall be provided in all ducts to permit accurate balancing of the system. The dampers, splitters and deflectors shall be adjusted to satisfy the heating and ventilating requirements of the conditioned space and locked in place.

(2) AIR GRILLES. All air supply outlets and returns shall be equipped with grilles or devices which will provide a uniform distribution of air.

History: Cr. Register, December, 1975, No. 240, eff. 1-1-76.

ILHR 64.44 Fans and blowers. Fans and blowers shall be of a type and size that will satisfy the design conditions of the heating and ventilating system. Fans and blowers shall be rated in accordance with an approved test procedure.

Note: The department accepts certified ratings listed by the Air Moving and Conditioning Association, Inc.

History: Cr. Register, December, 1975, No. 240, eff. 1-1-76; r. (2), renum. (1) to 64.44, Register, March, 1991, No. 423, eff. 4-1-91.

Subchapter VI — Chimneys, Gas Vents, Mechanical Draft and Venting Devices

ILHR 64.45 Chimneys, smoke stacks, gas vents, mechanical draft and venting devices. (1) GENERAL REQUIREMENTS. Heating equipment using solid, liquid or gas fuels shall be vented to the outside, except as permitted in s. ILHR 64.21. A natural draft chimney or other venting device shall have the height and area to remove the products of combustion. Chimneys, smoke stacks, gas vents, mechanical draft and venting devices shall comply with the requirements of NFPA No. 211.

(2) NONCOMBUSTIBLE SUPPORTS. All chimneys or gas vents shall be supported from noncombustible construction unless otherwise approved.

(3) TERMINATION. (a) *Gravity type.* 1. All chimneys or smokestacks depending on a gravity principle for the removal of the products of combustion shall extend at least 3 feet above the highest point of the roof where the chimneys or smokestacks pass through the roof of the building, and at least 2 feet higher than any portion of the building measured 10 feet horizontally from the chimney or smokestack.

2. Type "B," "BW" and "L" vents and single wall vent pipes depending on a gravity principle for the removal of the products of combustion shall extend at least 2 feet above the highest point of the roof where the vents or

ILHR 64.45

pipes pass through the roof of the building, and at least 2 feet higher than any portion of the building measured 10 feet horizontally from the vent or pipe.

(b) *Mechanical type.* The height and cross-sectional area may be reduced for chimneys employing a mechanical draft system of either forced or induced draft when approved by the department.

History: Cr. Register, December, 1975, No. 240, eff. 1-1-76; am. (1) and (3) (a), Register, January, 1980, No. 289, eff. 2-1-80; am. (1), Register, March, 1991, No. 423, eff. 4-1-91; am. (3) (a), Register, January, 1994, No. 457, eff. 2-1-94.

ILHR 64.46 Masonry chimneys. The design and construction of the chimney shall conform to the provisions of this section.

(1) **MATERIALS.** The walls shall be built of brick or other approved fire-resistive material. No chimney shall rest upon a flooring of wood nor shall any wood be built into or in contact with any chimney. Combustible headers, beams, joists and studs shall be located at least 2 inches from the outside face of a chimney. The foundation shall be designed and built in conformity with the requirements for foundations for buildings. In no case shall a chimney be corbeled out more than 6 inches from the wall and in every case the corbeling shall consist of at least 5 courses of brick.

(2) **FLUE SIZE.** Every masonry chimney shall have walls at least 8 inches in solid thickness, except that in a chimney with a flue not larger than 260 square inches where a fire clay or other suitable refractory clay flue lining is used for the full height of the chimney the walls shall not be less than 4 inches in solid thickness. No smoke flue shall have a cross-sectional area less than 64 square inches. Flue linings 7 inches by 7 inches inside, or 8 inches in diameter inside, may be used.

(3) **FLUE LININGS.** All flue linings shall be capable of withstanding reasonably high temperatures and flue gases and shall have a softening point not lower than 1800° F. Flue linings shall be not less than ½ inch in thickness and shall be built in as outer walls of the chimney are constructed. Flue linings shall start from a point not less than 8 inches below the bottom of the smoke pipe intake and shall be continuous to a point not less than 4 inches above the enclosing walls.

(4) **SMOKE PIPE CONNECTION.** If there is more than one smoke pipe connected to a flue, the connections shall be at different levels. Two or more heating units, or appliances, may be connected to a common smoke pipe, or breeching, if joined by Y fittings as close as practicable to the flue. In all such cases, the size of the breeching and the flue shall be sufficient to accommodate the total volume of flue gases.

(5) **CLEAN-OUT OPENING.** Every chimney shall be provided with a clean-out opening at the base. Such openings shall be equipped with metal doors and frames arranged to remain closed when not in use.

(6) **WIND PRESSURE.** Every chimney shall be designed to withstand wind pressures in accordance with the requirements of s. ILHR 53.12.

History: Cr. Register, December, 1975, No. 240, eff. 1-1-76; am. (1), Register, January, 1980, No. 289, eff. 2-1-80.
Register, January, 1994, No. 457

ILHR 64.47 Metal smokestacks. (1) **SMOKESTACKS IN EXCESS OF 30 FEET.** The thickness of the metal walls shall be at least 3/16 inch for smokestack heights up to 40 feet and ¼ inch for greater heights. Stacks used for manufacturing, high-pressure boilers, furnaces or other similar heating or manufacturing appliances shall be lined with firebrick, or equivalent, for a distance of not less than 25 feet from the place where the smoke pipe enters and shall be protected on the outside up to and through the roof of the building with 8 inches of masonry, or a metal shield which provides an 8-inch ventilated air space between such shield and the stack. All stacks shall be properly guyed if the height of the stack exceeds 15 times its least diameter.

(a) *Exception.* Public utility or industrial power plants are exempted from the protection requirements of this paragraph if they are of type 1 or 2 construction.

(2) **SMOKESTACKS LESS THAN 30 FEET.** Smokestacks less than 30 feet high may be constructed of not less than No. 10 U.S. gauge steel, with either welded or riveted joints, and may be mounted directly upon masonry chimneys or foundations or upon industrial heating or power boilers provided all of which are designed to support the stack load. A clearance of not less than 6 inches shall be maintained at all times around such smokestacks and any combustible material within 12 inches of such smokestacks shall be protected by noncombustible insulation covered by sheet metal.

History: Cr. Register, December, 1975, No. 240, eff. 1-1-76; am. (1) (intro.), Register, December, 1978, No. 276, eff. 1-1-79; am. (2), Register, March, 1991, No. 423, eff. 4-1-91.

ILHR 64.48 Factory-built chimneys and gas vents. (1) **GENERAL.** Factory-built chimneys and gas vents shall be of an approved type.

(2) **TYPES OF APPROVED CHIMNEYS AND GAS VENTS.** (a) *Residential type and building heating appliance.* An approved "residential type and building heating appliance" chimney or "building heating appliance" chimney may be used with solid-, liquid- or gas-fired heating appliances where the flue gas temperature does not exceed 1000° F. continuously, and does not exceed 1400° F. for infrequent brief periods of forced firing.

Note: Residential type and building heating appliance chimneys were formerly referred to as Class A chimneys.

(b) *Type "B".* An approved type "B" gas vent may be used with gas-fired appliances where the flue gas temperature does not exceed 550° F. at the outlet of the draft hood.

(c) *Type "BW".* An approved type "BW" gas vent may be used with a vented recessed wall heater.

(d) *Single wall vent pipe.* An approved single wall vent pipe may be used with gas-fired, low-heat appliances (low-pressure boilers, furnaces and space heaters). The vent shall be not less than No. 20 standard gauge galvanized iron, No. 24 Brown and Sharpe gauge sheet copper, or other approved corrosion-resistant material. The installation shall conform to the requirements of s. ILHR 64.50.

(e) *Type "L".* An approved type "L" vent may be used with oil-fired appliances listed as suitable by a recognized agency and with gas-fired appliances approved for type "B" vents.

(f) *Equipment listed with venting system.* Venting systems included with the listing of the heating appliance may be used subject to the requirements and limitations of the listing.

Note: The department recognizes, as approved, chimneys designated as "residential type", "building heating appliance", "B", "BW" and "L" types listed by Underwriters' Laboratories, Inc.

History: Cr. Register, December, 1975, No. 240, eff. 1-1-76; r. and recr., Register, December, 1978, No. 276, eff. 1-1-79; am. (2) (a) and (d), Register, December, 1981, No. 312, eff. 1-1-82; cr. (2) (f), Register, December, 1983, No. 336, eff. 1-1-84.

ILHR 64.49 Gas vents. All gas ranges (except those designed as unvented), water heaters and other gas-fired equipment shall be provided with vent pipes conforming to the requirements for gas vents as specified in s. ILHR 64.48 and for connectors as specified in s. ILHR 64.50. Commercial kitchen appliances including but not limited to ranges, ovens, booster heaters and similar equipment may be vented into the kitchen hood exhaust system.

History: Cr. Register, December, 1975, No. 240, eff. 1-1-76; am. Register, December, 1978, No. 276, eff. 1-1-79; am. Register, January, 1980, No. 289, eff. 2-1-80; renum. from ILHR 64.50 and am., Register, December, 1981, No. 312, eff. 1-1-82.

ILHR 64.50 Chimney and vent connectors. (1) CONSTRUCTION AND INSTALLATION. The construction and installation of chimney connectors shall conform with the following requirements:

(a) *Concealed space.* No chimney connector shall pass through any outside window, door or combustible outside wall, nor be concealed in any closet, attic or similar space;

(b) *Combustible partitions and walls.* Connectors for appliances shall not pass through interior walls or partitions constructed of combustible material unless they are guarded at the point of passage by:

1. Metal ventilated thimbles not less than 12 inches larger in diameter than the connector, or

2. Metal or burned fireclay thimbles built in brickwork or other approved fireproofing materials extending not less than 8 inches beyond all sides of the thimble;

(c) *Distance from materials.* Connectors shall be installed with clearance to combustibles specified in par. (b) or NFPA Standard 211;

(d) *Multiple appliance venting.* 1. Two or more appliances using the same type of fuel may be connected to a common gravity-type chimney or vent, provided the ap-

pliances are equipped with primary safety controls and listed shutoff devices and comply with the following requirements:

a. The appliances shall be located in the same story, except for engineered venting systems,

b. The appliances shall be joined at a manifold or Y-type fitting as close to the chimney or vent as possible, unless the connector from each appliance enters a separate chimney or vent inlet and the inlets are offset at least 12 inches vertically or are at right angles to each other,

c. The connector and chimney or vent shall be sized to accommodate the total volume of flue gases. For gas-burning appliances, the venting area shall be at least equal to the size of the largest vent connector plus at least 50% of the area of the other vent connectors, or

d. A chimney serving a fireplace or other piece of solid-fuel equipment shall not be used to vent any other appliance;

2. Gas utilization appliances and appliances burning liquid fuel may be connected to one chimney flue in accordance with NFPA 211.

(e) *Pitch and length.* Chimney or vent connectors shall have no more than two 45° offsets with the vertical. The horizontal length shall not exceed 75% of the total vertical height of the total venting system measured from the appliance outlet. Chimney or vent connectors shall be pitched up at least ¼ inch per foot from the appliance outlet collar to the chimney or vent inlet;

(f) *Dampers.* A manual cast iron or equivalent damper to control the draft shall be provided in the chimney connector next to solid-fuel fired equipment. Manually operated dampers shall be prohibited in chimney or vent connectors of all other appliances. When used, listed automatically operated dampers interlocked with the heating appliance shall be installed in accordance with the approved listing; and

(g) *Materials and thickness.* 1. Except as specified in subd. 2., chimney or vent connectors shall be listed or conform to the type of material and thickness indicated in Table 64.50 or equivalent.

2. Connectors serving listed residential-type gas appliances shall be not less than .016 inch galvanized steel.

TABLE 64.50

MINIMUM CHIMNEY CONNECTOR METAL THICKNESS

Galvanized Steel		
Diameter of Connector	Min. thickness (inch)	Gauge
Less than 6 inches	.019	26
6 inches to less than 10 inches	.024	24
10 inches to 13 inches	.030	22
14 inches to 16 inches	.036	20
Greater than 16 inches	.058	16

ILHR 64.50

History: Cr. Register, December, 1981, No. 312, eff. 1-1-82; am. (1) (c) and (g) 2., Register, August, 1985, No. 356, eff. 1-1-86; renum. (1) (d) (intro.) and 1 to 4 to be (1) (d) 1. a to d, cr. (1) (d) 2., Register, March, 1991, No. 423, eff. 4-1-91.

Subchapter VII — Equipment Location, Protection, Maintenance and Operation

ILHR 64.51 Guarding and fire protection. (1) GUARDING OF EQUIPMENT. Heating and ventilating equipment in gymnasiums, playrooms and similarly occupied areas shall be fully recessed and protected, or located not less than 7 feet above the floor. Heating and ventilating equipment shall not block any part of the required aisles, passageways and corridors.

(2) GUARDING OF SURFACES. Equipment located in occupied areas and installed less than 7 feet above the floor shall be guarded to prevent contact with surfaces that are likely to cause lacerations.

(3) GUARDING OF MECHANICAL APPARATUS. All mechanical apparatus shall be guarded to comply with the requirements of ch. ILHR 32, Safety and Health Standards for Public Employees.

(4) FIRE PROTECTION. (a) 1. Heat-producing appliances and their chimney or vent connectors shall be installed with clearances to combustible material as specified in NFPA Manual No. 211 unless listed for installation at other clearances.

2. Clearance to combustible materials shall be as specified in NFPA Standard No. 211 or as specified by a nationally recommended testing laboratory, whichever is greater.

(b) Clearances shall be measured from the outer surface of the appliance or connector to the combustible material, disregarding any intervening protection applied to the combustible material.

(c) Appliances shall not be installed in alcoves or closets unless approved for such installations.

History: Cr. Register, December, 1975, No. 240, eff. 1-1-76; am. (2), Register, December, 1976, No. 252, eff. 1-1-77; am. (2), Register, January, 1980, No. 289, eff. 2-1-80; am. (4), Register, December, 1981, No. 312, eff. 1-1-82; am. (4) and r. tables 64.51 A to D, Register, August, 1985, No. 356, eff. 1-1-86; correction in (3) made under s. 13.93 (2m) (b) 7, Stats., Register, January, 1994, No. 457.

ILHR 64.52 Maintenance and operation. (1) MAINTENANCE. All heating, ventilating, exhaust and air conditioning systems shall be maintained in good working order and shall be kept clean and sanitary. Chimneys or vents and connectors serving solid-fuel burning appliances shall be cleaned and inspected for damage annually. Chimneys and vents, which have been subjected to a chimney fire, shall not be reused until inspected and approved by the department or authorized deputy.

(2) OPERATION. All heating, ventilating and exhaust systems shall be operated to satisfy the requirements of this chapter during periods the building is occupied.

(3) INSTRUCTIONS. The designer or installer shall provide the owner with written instructions for the operation and maintenance of the system and equipment.

History: Cr. Register, December, 1975, No. 240, eff. 1-1-76; am. (1), Register, December, 1981, No. 312, eff. 1-1-82.
Register, January, 1994, No. 457

ILHR 64.53 Final test required. The designer, installer or recognized balancing agency shall be responsible for the testing and balancing of every heating, ventilating and air conditioning system. The person or agency responsible for balancing of the ventilating system shall document in writing the amount of outdoor air being provided and distributed for the building occupants and any other specialty ventilation. The document shall be retained at the site and shall be made available to the department upon request.

History: Cr. Register, December, 1975, No. 240, eff. 1-1-76; am. Register, March, 1991, No. 423, eff. 4-1-91.

Subchapter VIII — Occupancy Requirements

ILHR 64.54 Factories, office and mercantile buildings. (1) SCOPE. This section applies to all places of employment, mercantile buildings, retail establishments where goods and commodities are bought and sold, and places where not more than 100 persons assemble for worship, recreation, entertainment or dining purposes.

Note: For mall corridors of enclosed mall shopping centers, see s. ILHR 64.05, Table 1.

(2) VENTILATION. The air movement, supply and distribution for all occupancies in this class shall conform to the requirements of s. ILHR 64.05, Table 1, except that natural ventilation or mechanical ventilation need not be provided in warehouses and cold storage buildings.

(3) INDUSTRIAL EXHAUST SYSTEM. (a) Contaminants. Industrial exhaust systems shall be installed and operated to remove harmful contaminants in conformance with ch. ILHR 32, Safety and Health Standards for Public Employees.

(b) Makeup air. A volume of outside air shall be supplied to replace the air exhausted if the total volume of air exhausted exceeds one air change per hour. The quantity of makeup air shall equal at least 90% of the air exhausted.

(c) Connections. Connections between industrial exhaust systems that convey different materials, the combination of which may produce explosive, heat-generating, corrosive, toxic, or otherwise dangerous mixtures, shall be prohibited.

(4) LOCKER ROOMS. Locker rooms used in places of industrial employment shall be provided with outside air. See s. ILHR 64.05, Table 1.

Note: Exhaust air from locker rooms may be directed through the adjoining toilet room or shower room.

(5) FIRST AID REST ROOMS IN PLACES OF EMPLOYMENT. Ventilation shall be provided for all areas of this class to conform to the requirements of s. ILHR 64.05, Table 1.

History: Cr. Register, December, 1975, No. 240, eff. 1-1-76; am. (1), Register, March, 1991, No. 423, eff. 4-1-91; am. (3) (a), Register, January, 1994, No. 457, eff. 2-1-94.

ILHR 64.55 Theaters and places of assembly. (1) SCOPE. This section applies to all auditoriums, arenas, armories, assembly halls, banquet halls, billiard rooms, bowling alleys, cafeterias, club rooms, dance halls, dining rooms, gymnasiums, lecture halls, lodge halls, playrooms, restaurants, school auditoriums, Sunday schools and places of

worship, funeral home chapels, parochial schools, convents, indoor skating rinks, and theaters which accommodate more than 100 persons for entertainment, recreation, worship, or dining purposes.

Note: For areas that will accommodate less than 100 persons, see s. ILHR 64.54.

(2) **VENTILATION.** The air movement, supply and distribution for all occupancies under this classification shall conform to the requirements of s. ILHR 64.05, Table 1.

(3) **ALTERNATE SERVICE AND CAPACITY.** Heating and ventilating systems installed in places of worship, Sunday schools, and lodge halls may be arranged for selective delivery of the entire service to either the first floor area or to the basement floor area provided these areas are not used simultaneously.

(4) **STAGES.** The stage in any theater or assembly hall, for which a fire curtain is required, shall be supplied with sufficient air or other means to equalize the pressure to avoid deflecting the curtain.

Note: See ss. ILHR 55.21 through 55.23 concerning proscenium walls and curtains.

History: Cr. Register, December, 1975, No. 240, eff. 1-1-76; am. (1) and (3), Register, March, 1991, No. 423, eff. 4-1-91.

ILHR 64.56 Schools and other places of instruction. (1) SCOPE. This section applies to all public and private schools, colleges, universities, academies, seminaries, libraries, museums, art galleries, all places used for vocational instruction and research such as laboratories, shops, science rooms, and all parts of buildings used for instructional purposes.

(2) **VENTILATION.** The air movement, supply and distribution for all occupancies under this classification shall conform to the requirements of s. ILHR 64.05, Table 1. For corridors provided with lockers, the air movement shall be not less than 10 cubic feet per minute per lineal foot of corridor. This air supply shall be accomplished by means of air inlets admitting air from adjacent classrooms or by a direct tempered air supply.

Note: This rule does not apply to corridors furnished with coat hooks.

(3) **EXHAUST SYSTEMS AND HEAT RECOVERY. (a)** An exhaust system, as specified in s. ILHR 64.54 (3), shall be provided for all equipment and processes that create dust, fumes, vapors and gases injurious to health.

(b) Exhaust systems whose operation is more than 3600 hours per year shall be equipped with heat recovery devices to reduce the energy consumption in the building.

1. **Exception. a.** Systems exhausting explosive materials, such as perchloric acid need not be so equipped.

b. Fan systems exhausting 250 CFM or less need not be so equipped.

History: Cr. Register, December, 1975, No. 240, eff. 1-1-76; am. (3), Register, December, 1976, No. 252, eff. 1-1-77; am. (3), Register, December, 1981, No. 312, eff. 1-1-82; am. (1), Register, March, 1991, No. 423, eff. 4-1-91.

ILHR 64.57 Health care facilities. (1) SCOPE. The rules of this section apply to hospitals, nursing homes and outpatient surgical facilities where medical services are provided.

(2) **GENERAL. (a)** The heating, ventilating and air conditioning systems of all occupancies within the scope of this section shall be designed, operated and maintained as specified in sections 2, 7.31 A to D, 8.12 A to D, 9.2 L, 9.4 I, 9.5 M, and 9.6 J, depending upon the occupancy, of AIA standard R673, Guidelines for Construction and Equipment of Hospital and Medical Facilities.

(b) The heating, ventilating and air conditioning systems shall also be designed, operated and maintained as specified in the applicable sections of the following standards as referenced in AIA standard R673:

1. NFPA No. 90A;

2. ASHRAE Handbook of Fundamentals; and

3. ASHRAE Standard No. 52.

(3) **APPLICATION OF RULES.** Where other provisions of ch. ILHR 64 specify different requirements than those contained in this section, the requirements specified in sub. (2) shall govern.

History: Cr. Register, December, 1975, No. 240, eff. 1-1-76; r. (2) (d), Register, January, 1980, No. 289, eff. 2-1-80; r. and recr., Register, February, 1982, No. 314, eff. 3-1-82; r. and recr. (2), r. (3), renum. (4) to be (3), Register, August, 1985, No. 356, eff. 1-1-86; am. (2) and (3), Register, March, 1991, No. 423, eff. 4-1-91; am. (2) (a) and (3), Register, January, 1994, No. 457, eff. 2-1-94.

ILHR 64.58 Penal institutions and places of detention. (1) SCOPE. This section applies to all corridors and areas of compulsory occupancy in penal institutions, mental hospitals and other places of detention.

(2) **VENTILATION.** The air movement, supply and distribution for all areas of this class shall conform to the requirements of s. ILHR 64.05, Table 1.

(3) **OVERNIGHT LOCK-UPS.** Where cells are provided for not more than 6 occupants for the purpose of overnight detention only, exhaust ventilation shall be provided on the basis of 6 air changes per hour for the occupied area.

History: Cr. Register, December, 1975, No. 240, eff. 1-1-76; am. (2), Register, December, 1981, No. 312, eff. 1-1-82; am. (1), Register, March, 1991, No. 423, eff. 4-1-91.

ILHR 64.59 Residential occupancies. (1) SCOPE. This section applies to all apartments, row houses, rooming houses, hotels, motels, dormitories, and all other places of abode.

Note: See s. ILHR 51.01 (102a) for definition of "place of abode".

(2) **VENTILATION.** The air movement, supply and distribution for all areas of this class shall conform to the requirements of s. ILHR 64.05, Table 1.

(a) **Exception.** For habitable rooms without openable outside windows and facing naturally lighted pool or recreation areas, see s. ILHR 57.13 (2).

(3) **RETURN AIR DUCTS.** Unlined wood joists and stud spaces will be permitted to be used as return air ducts in individual living units provided with individual heating and ventilating systems.

History: Cr. Register, December, 1975, No. 240, eff. 1-1-76; am. (3), Register, December, 1976, No. 252, eff. 1-1-77; cr. (2) (a), Register, May, 1980, No. 293, eff. 6-1-80; am. (1) and (2) (a), Register, March, 1991, No. 423, eff. 4-1-91.

ILHR 64.60

ILHR 64.60 Day care facilities. (1) SCOPE. This section applies to all public and private day care centers accommodating more than 4 children, including all buildings or parts of buildings used as child day care facilities.

(2) VENTILATION. The air movement, supply and distribution for all areas of this class shall conform to the requirements of s. ILHR 64.05, Table 1.

History: Cr. Register, December, 1975, No. 240, eff. 1-1-76; am. (1), Register, March, 1991, No. 423, eff. 4-1-91.

ILHR 64.61 Repair areas. (1) SCOPE. This section applies to all areas where motor-driven vehicles are repaired involving the fuel system components or requiring the operation of the internal combustion engine.

(2) VENTILATION. The air movement, supply and distribution shall be provided in accordance with the requirements of s. ILHR 64.05, Table 1. The exhaust air shall be drawn from not more than 18 inches above the floor.

(3) TAIL PIPE EXHAUST. (a) Mechanical exhaust system. A mechanical exhaust system shall be provided in the repair area to remove the exhaust fumes from internal combustion engines. The duct system shall be designed with sufficient outlets to accommodate the total number of vehicles in the repair area. A flexible hose, equipped with a device for connecting it to the exhaust pipe of the vehicle and to the exhaust system, shall be provided. Each outlet shall be provided with a shut-off valve that can be closed when not in use. The blower capacity shall be sufficient to exhaust a volume of air not less than 100 cubic feet per minute for each opening.

(b) Nonmechanical exhaust. A noncombustible flexible tube or hose not more than 10 feet long, connected to the engine exhaust (tail pipe) and terminating outside the building, may be used in lieu of the requirements stated in par. (a).

Note: The requirements stated in sub. (2) need not be increased when satisfying the requirements of either sub. (3) (a) or (b). See ch. ILHR 32, Safety and Health Standards for Public Employees.

(4) MISCELLANEOUS REPAIR AREAS. Areas involved in the servicing of small internal combustion engines such as lawnmowers, snowmobiles, chainsaws, cycles, boat engines, and similar types of engines, and battery charging areas, shall be provided with at least 3/4 cubic foot per minute of outside air per square foot of enclosed service floor area and an equivalent exhaust. Exhaust from battery charging areas shall be from the top of the area.

(5) CONTAMINANTS. If the provisions of this section do not provide sufficient ventilation to meet the standards for threshold limit values covered in ch. ILHR 32, Safety and Health Standards for Public Employees, the additional exhaust requirements with an equivalent volume of outside air shall be provided to satisfy the requirements found in ch. ILHR 32.

History: Cr. Register, December, 1975, No. 240, eff. 1-1-76; am. (4), Register, December, 1978, No. 276, eff. 1-1-79; am. (1), Register, December, 1983, No. 336, eff. 1-1-84; am. (1), Register, March, 1991, No. 423, eff. 4-1-91; am. (5), Register, January, 1994, No. 457, eff. 2-1-94.

ILHR 64.62 Vehicle service buildings. (1) APPLICATION. (a) This section applies to liquid fuel dispensing stations and facilities where vehicles can be driven into the build-

ing for washing, greasing, oil change, tire replacement, body repair, and similar operations.

(b) The exhaust air shall be drawn from not more than 18 inches above the floor.

(2) VENTILATION. (a) Air movement, supply, distribution and exhaust shall be provided as specified in s. ILHR 64.05, Table 1.

(b) Buildings or portions of buildings having a capacity of and used exclusively for washing 2 or more vehicles simultaneously shall be exhausted at not less than 1/2 cubic foot per minute per square foot of floor area based on that portion of the floor located between the termination of the conveyor system and the vehicle exit door. A supply of make-up air is not required for this exhaust.

History: Cr. Register, December, 1975, No. 240, eff. 1-1-76; am. (2) (b) (intro.), Register, January, 1980, No. 289, eff. 2-1-80; r. and recr. Register, August, 1985, No. 356, eff. 1-1-86.

ILHR 64.63 Garages. (1) SCOPE. This section applies to all buildings, or parts of buildings, where motor-driven vehicles are stored.

(2) VENTILATION. (a) Except as permitted in par. (b), the air movement, supply and distribution for garages shall be provided in accordance with s. ILHR 64.05, Table 1. Exhaust air shall be drawn not more than 18 inches above the floor.

(b) The air movement, supply and distribution for a storage garage accommodating 6 or more vehicles may be provided by permanent open-wall areas, if:

1. The open-wall areas equal at least 30% of the total wall area enclosing the garage;

2. The open-wall areas are distributed to permit air circulation throughout the garage; and

3. The entire floor of the garage is located at or above grade.

(c) An intermittent mechanical exhaust ventilation system may be employed if the system is activated by a continuous monitoring/detector system which can maintain carbon monoxide levels below 50 ppm and combustible fumes below 0.5% by volume.

(3) CONTAMINANTS. If the provisions of this section do not provide sufficient ventilation to meet the standards for threshold limit values covered in ch. ILHR 32, Safety and Health Standards for Public Employees, the additional exhaust requirements with an equivalent volume of outside air shall be provided to satisfy the requirements found in ch. ILHR 32.

History: Cr. Register, December, 1975, No. 240, eff. 1-1-76; am. (1), r. and recr. (2), Register, March, 1991, No. 423, eff. 4-1-91; am. (3), Register, January, 1994, No. 457, eff. 2-1-94.

ILHR 64.64 Vehicle showrooms. (1) SCOPE. This section applies to all vehicle showrooms with offices and occupancies unless designed as part of the vehicle garage adjacent to repair or vehicle storage areas where all vehicles displayed in the showroom are without batteries and fuel tanks are empty and free of fumes.

Note: A live storage area is any area used for storage of fire trucks, tractors, automobiles, trucks, and similar self-propelled vehicles which are driven in and out of the storage area under their own power; it does not

include areas where vehicles and equipment are stored for seasonal periods, or areas where vehicles are displayed without batteries and where the gasoline tanks of the vehicles are empty and free of fumes.

(2) **VENTILATION.** The air movement, supply and distribution shall be provided in accordance with the requirements of s. ILHR 64.05, Table 1.

(a) *Separate ventilating system.* A separate ventilating system shall be provided for showrooms or offices where such occupancies are adjacent to repair or live storage areas.

Note: Ventilation is not required if an openable area is provided to conform with the requirements of s. ILHR 64.07.

(b) *Recirculation.* Air shall not be recirculated from any repair, live storage or service area unless the total volume of air in circulation is in excess of the ventilation required. Excess air may be recirculated.

(c) *Contaminants.* If the provisions of this section do not provide sufficient ventilation to meet the standards for threshold limit values covered in ch. ILHR 32, Safety and Health Standards for Public Employes, the additional exhaust requirements with an equivalent volume of outside air shall be provided to satisfy the requirements found in ch. ILHR 32.

History: Cr. Register, December, 1975, No. 240, eff. 1-1-76; am. (1), Register, December, 1983, No. 336, eff. 1-1-84; am. (1), Register, March, 1991, No. 423, eff. 4-1-91; am. (2) (c), Register, January, 1994, No. 457, eff. 2-1-94.

ILHR 64.65 General sanitation and service areas. (1) SCOPE. This section applies to toilet rooms, locker rooms, shower rooms and janitor closets.

Note 1: A janitor closet is a service closet with one or more plumbing fixtures.

Note 2: For exhaust ventilation requirements in hospital service areas, see s. ILHR 64.57.

Note 3: For exhaust ventilation requirements in places of employment, see s. ILHR 64.54.

Note 4: The use of wall registers within 4 inches of the floor, baseboard registers, and floor registers is prohibited in these areas. (See s. ILHR 52.57, Note.)

(2) **EXHAUST VENTILATING SYSTEMS.** Exhaust ventilating systems serving this class of occupancy may be combined with other exhaust services provided the combined system:

(a) Does not allow recirculation; and

(b) Does not include grease hood exhaust, radioactive exhaust, fume hood exhaust, exhaust required by ch. ILHR 32, exhaust that requires electrical grounding, or exhaust that requires spark resistant fan construction.

(3) (a) *Exhaust ventilation.* Exhaust ventilation shall be provided for all areas of this class unless otherwise exempted. The volume of air exhausted shall be provided at a rate of not less than 2 cubic feet per minute per square foot of floor area, or 50 cubic feet per minute per fixture (water closets and urinals). Mechanical exhaust ventilation shall be installed in toilet rooms having more than one fixture (water closets and urinals). The effectiveness of the exhaust shall be greater than the supply.

(b) *Natural ventilation.* Exhaust ventilation is not required from toilet rooms having one water closet or one urinal, or from janitor closets having one service sink or

receptor, provided the room has an outside window of at least 4 square feet with at least 2 square feet that is openable.

1. Exception. Mechanical exhaust ventilation may be omitted from toilet rooms or bathrooms having one water closet or urinal except in taverns and restaurants, or from janitor closets having one service sink or receptor, where an approved ductless air circulating and treatment device is provided.

(c) *Locker, shower and toilet room ventilation.* Adjoining locker, shower and toilet rooms shall be exhausted at the rate of 2 cubic feet per minute per square foot of area, based on the floor area of the largest space. The rooms shall be provided with tempered makeup air supplied directly from the outside or transferred from other areas of the building in accordance with the requirements of s. ILHR 64.18. A negative pressure relationship shall be maintained in the shower and toilet rooms with respect to the locker room.

History: Cr. Register, December, 1975, No. 240, eff. 1-1-76; am. (1), cr. (3) (c) and r. (4), Register, December, 1976, No. 252, eff. 1-1-77; cr. (3) (b) 1, Register, December, 1977, No. 264, eff. 1-1-78; am. (3) (b) 1, Register, December, 1981, No. 312, eff. 1-1-82; am. (3) (b) 1, Register, December, 1983, No. 336, eff. 1-1-84; r. and recr. (2), Register, August, 1985, No. 356, eff. 1-1-86; reprinted to correct an error in (2) (intro.), Register, December, 1985, No. 360; am. (1) and (3) (a), Register, March, 1991, No. 423, eff. 4-1-91; am. (2) (b), Register, January, 1994, No. 457, eff. 2-1-94.

ILHR 64.66 Natatoriums. (1) POOL VENTILATION. In natatoriums, a volume of tempered outside air supply and exhaust shall be provided at the rate of at least 2 cubic feet per minute per square foot of pool surface. The volume of tempered outside air and exhaust may be reduced to a minimum of one cubic foot per minute per square foot of pool surface provided humidity controls are used to limit the relative humidity to 60%.

(2) **AIR MOVEMENT.** The air movement in a natatorium shall be not less than 6 air changes per hour unless mechanical cooling is provided to satisfy the heat gain requirement for the space.

History: Cr. Register, December, 1976, No. 252, eff. 1-1-77.

ILHR 64.67 Kitchens. (1) SCOPE. This section applies to all areas where food is prepared, except in domestic science educational facilities from grades kindergarten through 12, and single unit apartments in hotels, motels and apartment buildings.

(2) **EXHAUST VENTILATION SYSTEMS.** Exhaust ventilation systems serving this occupancy shall not be used for any other service.

(a) *Required exhaust ventilation.* When cooking equipment is being operated, mechanical exhaust ventilation shall be provided at a rate not less than 2 cubic feet per minute per square foot of floor area for every occupied area within the scope of this section. When cooking equipment is not being operated, a minimum supply of outside air and exhaust at the rate of 5 CFM per person or natural ventilation as specified in s. ILHR 64.07 shall be provided during periods of occupancy.

(b) *Kitchen exhaust hoods.* Cooking equipment which produces grease laden vapors, including but not limited to fryers, grills, griddles and broilers, shall be provided with a

ILHR 64.67

kitchen exhaust hood, except an exhaust hood does not have to be provided for a single piece of equipment if:

1. The piece of equipment has a frying/cooking surface area of 4 square feet or less; and
2. The piece of equipment is the only piece of grease-producing equipment for the entire food preparation operation.

(3) **REPLACEMENT AIR.** Adequate replacement air shall be provided to equal the air being exhausted by all exhaust systems.

(4) **EXHAUST HOOD REQUIREMENTS.** (a) *Size of hood.* The horizontal inside dimensions for canopy hoods shall be sized to effectively capture grease vapors, but in no case shall these dimensions be less than the overall horizontal dimensions of the grease-producing equipment. The horizontal inside dimensions for noncanopy, prefabricated backshelf hoods may be less than the overall horizontal dimensions of the grease-producing equipment.

(b) *Exhaust rates.* The kitchen exhaust hood shall be provided with a capture velocity to effectively capture the grease vapors and may be designed through engineering analysis or the empirical design formulas stated below:

1. Canopy hood. Hood open on all 4 sides: $Q = 125 \text{ cfm A}$ (area).
2. Wall hood. Hood open on 3 sides or less: $Q = 80 \text{ cfm A}$ (area).
3. Slotted-type hood. $V = 350$ feet per minute through the slot opening. The slot shall be at least 3 inches in width and shall extend around the open sides of the hood; and
4. Noncanopy hood. The minimum volume of exhaust air for noncanopy type hoods (prefabricated backshelf) may be not less than $Q = 200 \text{ cfm L}$ (length).

Note: Q equals the exhaust air in cubic feet per minute; A equals the area of the hood over the grease-producing equipment in square feet; V equals the velocity in feet per minute; and L equals the total length in feet of the cooking appliance being ventilated, and measured parallel to the front edge of the appliance.

(c) *Materials.* Hoods shall be constructed and supported by steel not less than .0478 inch U.S. standard gage (No. 18 manufacturers standard gage) or stainless steel not less than .0359 inch U.S. standard gage (No. 20 manufacturers standard gage) or other materials of equivalent strength, fire and corrosion resistance.

(d) *Seams.* All seams and joints shall be liquid-tight.

(e) *Grease-removal devices.* Approved grease extractors, grease filters or other grease-removal devices shall be provided.

(f) *Exposed hood surfaces.* Hood surfaces and exposed exhaust ducts within 18 inches of combustible material shall be protected as specified in sub. (5) (f).

(g) *Concealed hood surfaces.* Hood surfaces that are concealed by or recessed into adjoining construction shall be protected as specified in sub. (5) (f).

(h) *Double-wall hoods utilizing outdoor air.* When hoods are connected to ducts supplying outside air, performance data shall be submitted.

Register, January, 1994, No. 457

Note: Double-wall hoods provided with a supply of outdoor air conserve energy.

(5) **EXHAUST DUCTS FROM HOODS.** (a) *Design.* All ducts shall lead, as directly as possible, to the exterior of the building without forming dips or traps which collect residues. Ducts exposed to the exterior shall be protected with a suitable weatherproof coating.

Note: Temperatures in excess of 2000° F. may be experienced within ducts in the event of fire. A means of expansion of long ducts should be considered.

(b) *Materials.* Ducts shall be constructed of and supported by steel not lighter than .0598 inch U.S. standard gage (No. 16 manufacturers standard gage) or stainless steel not lighter than .0478 inch U.S. standard gage (No. 18 manufacturers standard gage) or other materials of equivalent strength, fire and corrosion resistance.

(c) *Seams and joints.* All seams and joints shall be liquid-tight.

(d) *Clean-out openings.* Accessible clean-out openings at the sides of ducts shall be provided at each change of direction of the duct for inspection and servicing.

(e) *Interior ducts.* Ducts shall not pass through required fire walls or partitions.

(f) *Concealed exhaust ducts.* 1. Horizontal ducts. Horizontal concealed ducts connected to hoods that pass through any other area of the building, including suspended ceilings, shall be protected with insulating material to withstand a flue temperature of not less than 1000° F. The temperature of the exposed surface of the insulating material shall not exceed 250° F. above the normal ambient temperature of 68° F.

Note: The department will accept the use of masonry chimneys or manufactured chimneys which are tested and approved for use at a flue gas temperature of not less than 1000° F., or insulating materials for fire endurance systems listed in the Fire Resistance Index published by Underwriters' Laboratories, Inc.

2. Vertical ducts. Vertical concealed ducts that pass through any other area of the building, including suspended ceilings, in one- and 2-story buildings, shall be protected with insulating material as specified in subd. 1., or shall be located in 2-hour noncombustible fire-resistive enclosures. In buildings of 3 or more stories, vertical ducts shall be located in 2-hour noncombustible fire-resistive enclosures.

(g) *Exposed exhaust ducts.* Exposed exhaust ducts connected to hoods or canopies shall be located not less than 18 inches from combustible material unless the duct is protected in accordance with the requirements of par. (f).

(h) *Air discharge.* The air discharge shall be directed away from the roof or combustible materials.

(i) *Dampers.* Fire dampers shall not be installed in kitchen exhaust duct systems unless the assembly includes an approved extinguishing system designed to operate with a fire damper in the closed position.

(6) **AUTOMATIC SUPPRESSION SYSTEMS.** Exhaust hoods and ducts in kitchens used for commercial purposes shall be protected by an approved automatic fire suppression system. The suppression system shall comply with the following:

(a) When the fire suppression system is activated, all gas and electrical sources serving cooking appliances, grease consuming appliances or fume incinerators and equipment associated with the hoods shall be automatically deactivated. Such gas and electrical sources shall not be capable of reactivation except by manual means after the fire suppression system has been serviced and is again ready for action;

(b) 1. Except as provided in subd. 2., hood and duct suppression systems shall provide for both automatic and manual actuation of the system;

2. Automatic fire sprinkler systems using water need not be provided with means for manual actuation.

(c) A manual station for actuation of the suppression system shall be located at or near one of the means of egress from the area but not nearer than 10 feet to the range hood and shall be securely mounted not less than 4½ feet nor more than 5 feet above the floor, unless otherwise specifically approved by the chief of the fire department having jurisdiction;

(d) The system shall be maintained at full operating capacity by the owner and shall be serviced every 6 months; and

(e) All nozzles shall be accessible for cleaning and replacement.

Note: Effective date for s. ILHR 64.67 (6) requiring automatic fire suppression systems for exhaust hoods was July 1, 1983.

History: Cr. Register, December, 1975, No. 240, eff. 1-1-76; renum. from 64.66, r. and recr. (5) (a) to (d), renum. (5) (e) to (i) to be (5) (d) to (h), am. (6) (b), Register, December, 1976, No. 252, eff. 1-1-77; am. (5) (f) and (g), Register, December, 1977, No. 264, eff. 1-1-78; am. (4) and (6) (f) 1., Register, December, 1978, No. 276, eff. 1-1-79; am. (2)(a), r. (4), renum. (5) and (6) to be (4) and (5), Register, January, 1980, No. 289, eff. 2-1-80; am. (2) (a), (4) (f) and (g), Register, December, 1981, No. 312, eff. 1-1-82; cr. (6), Register, June, 1983, No. 330, eff. 7-1-83; r. and recr. (2) (b), am. (4) (b) 3., Register, December, 1983, No. 336, eff. 1-1-84; am (1) and (4) (b) 1. to 4., r. and recr. (2) (b) and (6) (c), Register, March, 1991, No. 423, eff. 4-1-91.

ILHR 64.68 Seasonal occupancies. When approved in writing by the department, heating requirements may be waived but not ventilation required by s. ILHR 64.05, Table 1 during the period of May 15 through September 15 for the following or similar occupancies: drive-in eating places, club houses, outdoor toilets, camp lodge buildings, canning factories and migrant labor camps.

Note: Rules on migrant labor can be found in ch. ILHR 301.

History: Cr. Register, December, 1975, No. 240, eff. 1-1-76; renum. from s. ILHR 64.67, Register, December, 1976, No. 252, eff. 1-1-77; am., Register, December, 1981, No. 312, eff. 1-1-82.

APPENDIX A

The material contained in the appendix is for clarification purposes only. The notes, illustrations, etc. are numbered to correspond to the number of the rule as it appears in the text of the code.

A-50.10 to 50.25 FORMS. The forms on the following 10 pages (SBD-2, SBD-8, SBD-8A and SB-8-B; SBD-118; SBD-198; SBD-224; SBD-5686; and SBD-9720) are referred to in ss. ILHR 50.18, 50.25, 50.12, 50.14, 50.18, 50.12 and 50.10, respectively. Copies of these forms are

available from the Division of Safety and Buildings, P.O. Box 7969, Madison, Wisconsin 53707.

A-50.21 CERTIFIED MUNICIPALITIES. The following municipalities have been certified by the department to review plans and conduct inspections under s. ILHR 50.21. These lists are current as of the date of printing this code. Additions and deletions may occur during the effective period of this code. For information regarding the current status of a municipality, call 608-267-7586.

FIRST CLASS CITIES

Milwaukee

COUNTIES

Eau Claire

CITIES

Antigo	Glendale	Middleton	Stevens Point
Appleton	Green Bay	Muskego	Sun Prairie
Augusta	Greenfield	Neenah	Superior
Beloit	Janesville	New Berlin	Two Rivers
Brookfield	Kaukauna	New Richmond	Waukesha
Burlington	Kenosha	Oak Creek	Waupun
Cudahy	La Crosse	Oconomowoc	Wausau
Delafield	Lake Geneva	Oshkosh	Wauwatosa
Eau Claire	Madison	Racine	West Allis
Fond du Lac	Manitowoc	Rhineland	West Bend
Fort Atkinson	Marshfield	Seymour	Wisconsin
Franklin	Mequon	Sheboygan	Rapids

VILLAGES

Clinton	Grafton	Johnson Creek	Sussex
Dousman	Hartland	Plover	Walworth
Elm Grove	Hortonville	Shicton	Waterford
Fall Creek			

TOWNS

Bloomfield (Walworth)	Grand Rapids (Wood)	Plover (Portage)
Delavan (Walworth)	Hull (Portage)	Sugar Creek (Walworth)
Geneva (Walworth)	LaGrange (Walworth)	Waterford (Racine)
Grand Chute (Outagamie)	Norway (Racine)	Waukesha (Waukesha)

Wisconsin Department of Industry,
Labor & Human Relations

INSPECTION REPORT AND ORDERS

Safety and Buildings Division
P.O. Box 7969, Madison, WI 53707

An inspection of the occupancy shown below discloses violations of orders of the Dept. of Industry, Labor and Human Relations promulgated under authority of Chapter 101, Wis. Stats. SEE REVERSE SIDE FOR APPLICABLE WISCONSIN STATUTES. Report when orders are completed. Avoid delay. Forfeiture for unresolved violations are \$10.00 to \$100.00 each day for each violation. Keep the Department informed.

"Failure of an employer to reasonably enforce compliance by employees with such statute or order of the Department shall constitute failure by the employer to comply with such statute or order." (s. 102.57, Wis. Stats.)

Inspection Date	Plan/Report Number	File Number	Page
		Inspection Type	
		Located At (number and street address)	
		City	County
		Violations Explained To	
		Compliance Date	

Note	Item	Orders and Requirements	✓ Done	X Not Done

SAMPLE

Deputy Name	Deputy's Office Hours and Telephone Number
-------------	--

Wisconsin Department of Industry,
Labor and Human Relations

**PETITION FOR VARIANCE
APPLICATION**

Safety and Buildings Division
P.O. Box 7969
Madison, Wisconsin 53707
(608) 266-1542

Please type or print.

OFFICE USE ONLY	Amount Paid	Receipt Number	Petition No.	F. Number
Owner/Petitioner's Name	Building Or Project		Agent, Architect or Engineering Firm	
Company	Tenant's Name, If Any		Street Address	
Street Address	Location - Street Address		City, State, Zip Code	
City, State, Zip Code	City, County		Telephone Number ()	
Telephone Number	Plan Number, If Known		Contact Person's Name	

1. The rule being petitioned reads as follows (cite specific rule number and language; one rule per application):

2. The rule being petitioned cannot be entirely satisfied because:

SAMPLE

3. The following alternative(s) and supporting information are proposed as a means of providing an equivalent degree of health, safety or welfare as addressed by the rule:

Note: Please attach any pictures, plans, sketches or required position statements.

VERIFICATION BY OWNER - PETITION IS VALID ONLY IF NOTARIZED WITH AFFIXED SEAL AND ACCOMPANIED BY REVIEW FEE
See Section ILHR 2.52 for complete fee information

Note: Petitioner must be the owner of the building or project. Tenants, agents, designers, contractors, attorneys, etc., shall not sign petition unless Power of Attorney is submitted with the Petition For Variance Application

_____, being duly sworn, I state as petitioner that I have read the foregoing
petition and I believe it is true and that I have significant ownership rights to the subject building or project.

Petitioner's Signature:	Subscribed And Sworn To Before Me This Date:	Notary Public	My Commission Expires On:
-------------------------	--	---------------	---------------------------

Wisconsin Department of Industry,
Labor and Human Relations

POSITION STATEMENT

Safety and Buildings Division
P.O. Box 7969
Madison, Wisconsin 53707

Instructions: This form is to be completed by the fire department chief or designee and sent promptly to the address shown above. Please print or type all responses.

Owner's Name	Building Occupancy Or Facility Description	Agent, Architect or Engineering Firm
Company	Tenant's Name, If Any	Street Address
Street Address	Location - Street Address	City, State, Zip Code
City, State, Zip Code	City, County	Telephone Number ()
Telephone Number	Plan Number, If Known	Contact Person's Name

- I have read the application for variance of rule ILHR _____
- I recommend (check appropriate box): Approval Conditional Approval Denial No Comment *
- Explanation For Recommendation:

SAMPLE

* If desired, Fire Departments may indicate "No Comment" on non-fire safety issues such as sanitation, energy conservation, barrier free environments, etc.

- I find no conflict with local rules and regulations.
 I find the petition is in conflict with local rules and regulations.

Explanation:

Fire Department Name And Address:

Name Of Fire Chief Or Designee (type or print):

Telephone Number

Signature Of Fire Chief Or Designee:

Date Signed:

POSITION STATEMENT
To Be Completed By:
Dept. of H&SS
Division of Health
SB-8-B (R. 10/84)

Wisconsin Department of Industry, Labor and Human Relations
DIVISION OF SAFETY & BUILDINGS
P.O. Box 7969, Madison, WI. 53707

Name of Owner of Building		Title			
Street		City	State	Zip	Phone No.
Building Identification		Street & No. (Bldg Location)		City & County	
Architect or Engineer		Street & No.		City & State	
1. I have read the Petition for Modification of Rule: IND.					
2. I recommend (check appropriate box)		Denial	Approval	Conditional Approval	No Comment
3. Our files or inspection indicate that this building is <input type="checkbox"/> fire-resistive-type 1 or 2 (see Ind. 51.03(1) or (2)). is not <input type="checkbox"/>					
4. Explanation for Recommendation: NOTE - If the answer to Item 3 is NO, and your recommendation is approval, an explanation is required.					
SAMPLE					
5. <input type="checkbox"/> I find no conflict with H & SS Rules and Regulations <input type="checkbox"/> I find that the petition is in conflict with H & SS Rules and Regulations as set forth below EXPLANATION:					
Signature and Title					Date

Please complete and submit PROMPTLY to
DEPARTMENT OF INDUSTRY, LABOR AND HUMAN RELATIONS
at the address shown above.

BUILDING/STRUCTURE/HVAC PLANS APPROVAL APPLICATION - Complete Both Sides -

Wisconsin Department of Industry, Labor & Human Relations Safety & Buildings Division Bureau of Buildings & Structures

Scheduling Information - complete when calling to schedule review:

E-File Plan No.

INSTRUCTIONS: Fill in all applicable data. Caution: Failure to complete the form entirely may cause additional delay. Submittal of this Plans Approval Application is required for each building. Submit this form with at least 4 sets of plans which include details and data as required by ILHR 50.12. Plans may be submitted to any of the plan review offices listed on the reverse side. Projects are scheduled for review. Please call the selected office prior to submittal. Any components submitted independently from the building plans must be submitted to the office which did the project's initial review.

1. Owner Information 2. Project Information 3. Building or Structure Designer Information 4. Building History 5. Construction Class Requested 6. HVAC Designer Information 7. Building Information 8. Submittal Request 9. Supervising Professional Information 10. Related Business Systems - Please call the respective Program for clarification and plan submittal requirements.

SAMPLE

12. Calculation of Fees

Area: The area of a floor is the area bounded by the exterior surface of the building walls or the outside face of columns where there is no wall. Area includes all floor levels such as subbasements, basements, ground floors, mezzanines, balconies, lofts, all stories and all roofed areas including porches and garages, except for cantilevered canopies on the building wall. Use the roof area for free standing canopies. Total area is the summation of all floor areas.

Attach a separate sheet if necessary for the calculations below:

Floor Level (specify)	Length	X	Width	=	Area
_____	_____	X	_____	=	_____
_____	_____	X	_____	=	_____
_____	_____	X	_____	=	_____
_____	_____	X	_____	=	_____
_____	_____	X	_____	=	_____
_____	_____	X	_____	=	_____
Total Area				=	_____

- Project NOT located in certified municipality (go to Fee Schedule Table 2.31-1).
- Project located in certified municipality (go to Fee Schedule Table 2.31-2).
(See Fee Schedule for list of certified municipalities.)

<input type="checkbox"/> Building and HVAC	Fee	\$	_____
<input type="checkbox"/> Building Only	Fee	\$	_____
<input type="checkbox"/> HVAC Only	Fee	\$	_____
<input type="checkbox"/> Revision To Previously Approved Plan	Fee	\$	_____
<input type="checkbox"/> Permission To Start	Fee	\$	_____
<input type="checkbox"/> Pre-July 1992 Building Components	Fee	\$	_____
<input type="checkbox"/> Other _____	Fee	\$	_____
Total Fee		=	\$ _____

SAMPLE

13. OWNER'S STATEMENT (ILHR 50.11): I request that plans be reviewed for compliance with the code requirements set forth in Chapters ILHR 50-64 of the rules of the department. I recognize that I am responsible for compliance with all code requirements and any conditions of plan approval. If this building exceeds 50,000 cubic feet in total volume, I will retain a supervising professional as required by ILHR 50.10 throughout construction to project completion and the filing of a Compliance Statement by the supervising professional prior to occupancy.

Owner's Signature: _____ Name & Title _____
Original Print

14. DESIGNER'S STATEMENT: DESIGN (ILHR 50.07-50.09) if this building, following construction of this project, contains more than 50,000 cubic feet in total volume, plans are required to be prepared, signed, sealed and dated by a Wisconsin registered engineer or architect (ILHR 50.07(2)). Signatures and seals shall be original.

The department expects, and requires, that the project designer review individual component submittals for compliance with the general design concept. The project designer, and department, will rely on the seal of the component designers for compliance with the codes as they apply to their designs.

- Total cubic foot volume of the building upon completion of this project: Less Than 50,000 50,000 or Greater
- Design loads have been indicated on the plans. Yes N/A
- Firewall schematic plan has been included. Yes N/A
- All applicable items required by ILHR 50.12 have been included. Yes N/A

I certify that the submitted plans were prepared under my supervision, are accurate, and to the best of my knowledge comply with the applicable codes of the Department of Industry, Labor and Human Relations.

Original Signature of Building Designer (Building Submittal)	Date Signed	Original Signature of HVAC Designer	Date Signed
Original Signature of Building Designer (Component Submittal)	Date Signed	Name of Component Fabricator	

15. SUPERVISING PROFESSIONAL'S STATEMENT: (ILHR 50.10) I have been retained by the owner as the supervising professional per ILHR 50.10 for the performance or supervision of reasonable on-the-site observations to determine if the construction is in substantial compliance with the approved plans and specifications. Upon completion of construction, I will file a written statement with the department certifying that, to the best of my knowledge and belief, construction has or has not been performed in substantial compliance with the approved plans and specifications.

Original Signature of Professional Supervising The Building	Date Signed	Original Signature of Professional Supervising The HVAC	Date Signed
---	-------------	---	-------------

Hayward Office 209 W. 1st Street Rt 8, Box 8072 Hayward, WI 54843 Phone (715) 634-4870 Fax (715) 634-5150	La Crosse Office 2226 Rose Street La Crosse, WI 54603 Phone (608) 785-9334 Fax (608) 785-9330	Madison Office 201 E. Washington Ave. P.O. Box 7969 Madison, WI 53707 Phone (608) 266-8735 Fax (608) 267-9566	Shawano Office 1340 E. Green Bay Street Shawano, WI 54166 Phone (715) 524-3626 Fax (715) 524-3633	Waukesha Office 401 Pilot Court, Suite C Waukesha, WI 53188 Phone (414) 548-8600 Fax (414) 548-8614
--	---	--	---	---

The information you provide may be used by other government agency programs [Privacy Law, s. 15.04 (1) (m)].

Wisconsin Department of Industry,
Labor and Human Relations

PERMISSION TO START CONSTRUCTION

Safety and Buildings Division

**NOTE: This permission is applicable only to projects
having below grade foundation work.**

Additional fees are required. Contact one of the locations listed below for more information.

HAYWARD OFFICE
Route 8
P.O. Box 8072
Hayward, WI 54843
Tele: (715) 634-4870
FAX: (715) 634-5150

LA CROSSE OFFICE
2226 Rose Street
La Crosse, WI 54603
Tele: (608) 785-9334
FAX: (608) 785-9330

MADISON OFFICE
201 E. Washington Ave.
PO. Box 7969
Madison, WI 53707
Tele: (608) 266-8735
FAX: (608) 267-9566

SHAWANO OFFICE
1053A E. Green Bay Street
P.O. Box 434
Shawano, WI 54166
Tele: (715) 524-3626
FAX: (715) 524-3633

WAUKESHA OFFICE
401 Pilot Court
Waukesha, WI 53188
Tele: (414) 548-8600
FAX: (414) 548-8614

Project Location:

Street: _____ E-File: _____

City: _____ Plan Number: _____

County: _____ Date Plans Rec'd: _____

Occupancy: _____

SAMPLE

We, the undersigned, request to begin footing and foundation work prior to approval of the plans in accordance with ILHR 50.14.

Plans have been submitted to the Department of Industry, Labor and Human Relations, Safety and Buildings Division, and all information requested by Code ILHR 50.12 or ILHR 50.13 has been included with the submittal.

We have reviewed the specific code requirements for the building or structure and its use, as set forth in ILHR 50-64, and, where applicable, have shown compliance on the drawings.

We agree to make any changes required after the plans have been reviewed and to remove or replace non-code complying parts of the foundation and/or footings.

We agree to proceed with the footings and foundation only and will not continue with the remainder of the building or structure until approval has been received.

We understand that, prior to the start of construction, a Building Permit must be obtained from the local authorities having jurisdiction in accordance with their laws and ordinances.

We understand that if this project is in an unsewered area, a sanitary permit must be obtained prior to the issuance of a local building permit (ss 101.12 (3) (h)).

Owner's Signature: _____
(Original Signature in Ink)

Date Signed: _____

Owner's Name: _____

Street: _____

City: _____ State: _____ Zip: _____

Designer's Signature: _____
(Original Signature in Ink)

Date Signed: _____

Designer's Name: _____

Street: _____

City: _____ State: _____ Zip: _____

Department Action: Approved Not Approved

Review Comments:

Reviewed By: _____ Today's Date _____

Wisconsin Department of Industry
Labor & Human Relations

INSPECTION PROGRESS REPORT

Safety and Buildings Division
P.O. Box 7969, Madison, WI 53707

RE:	File Number	Plan No.	
	E-		
	Inspection Date:	Person Contacted	
	No. 1.		
	2.		
	3.		
	Bldg. Final		
	H & V Final		
	Other Final		
	Compliance Date:		
TO:	Office Instruction (Check one):		Supervisory Review
	<input type="checkbox"/> Voluntary Compliance		
	<input type="checkbox"/> Process SB-2		
	<input type="checkbox"/> Violations explained to owner		

INSPECTION				Final	INSPECTION FINDINGS
1	2	3			
✓ Order Corrected X Order Not Corrected					Items listed below should be corrected before the next inspection or final inspection. These items are violations of the Building Code sections noted.
					<div style="text-align: center; font-size: 48px; opacity: 0.5;">SAMPLE</div>

Owner's Name and Address (if different from above):	Deputy's Name:
	Deputy's Signature:
	Deputy's Office Hours and Telephone Number:

WISCONSIN ADMINISTRATIVE CODE

DEPARTMENT OF INDUSTRY, LABOR AND HUMAN RELATIONS
SAFETY & BUILDINGS DIVISION
BUREAU OF BUILDINGS AND STRUCTURES
201 E. WASHINGTON AVE.
P.O. Box 7969
MADISON, WISCONSIN 53707

FILE NO. E-
PLAN NO.
VOLUME

PLAN EXAMINATION LETTER

DATE:

Note: This Preprinted Plan Review letter is being used at the discretion of the plan examiner to expedite the plan review. This form serves as the review correspondence.

Occupancy
Tenant
Owner
Location
Municipality
County

Supervising Professional

Plans have been reviewed for compliance with the important code requirements in Chapters ILHR 50 through 64 of the rules of the Department.

The plans are:

CONDITIONALLY APPROVED WITHHELD NOT APPROVED

If the plans are stamped "CONDITIONALLY APPROVED" construction may proceed, but all items that are required to be changed by this letter must be corrected before commencing that part of the work.

You are advised that the owner as defined in Chapter 101.01(2)(i) of the Wisconsin State Statutes is responsible for all code requirements not specifically cited. The building will be inspected during and after construction. The owner shall notify the state building inspector and the local building inspector before taking possession of the building.

ILHR 50.15 EVIDENCE OF APPROVAL. The architect, professional engineer, designer, builder or owner shall keep at the building, one set of plans bearing the stamp of approval.

This plan has not been reviewed for compliance with Chapters ILHR 82 through 86, the Plumbing Rules of the Department.

THIS BUILDING HAS BEEN CLASSIFIED AS NO. CONSTRUCTION SPRINKLERED UNLIMITED AREA

COMMENTS:

Plans for the following shall be submitted to this office and approved prior to construction of that component.

Trusses Precast Concrete Heat & Vent Systems Illumination

State Inspector - Region Phone Area Code
Local Inspector -

BY: PLAN EXAMINER
Phone

Compliance Statement

This form is required to be submitted by the architect, engineer, or HVAC designer (supervising professional) observing construction of projects within buildings with total volumes exceeding 50,000 cubic feet and construction of antennas, towers and bleachers (ILHR 50.10). Failure to submit this form may result in penalties as specified in ILHR 50.26 and/or local ordinances.

General Instructions: Prior to the initial occupancy of new buildings or additions and the final occupancy of altered existing buildings, submit this completed and signed form to:

The municipal building inspection office and
DILHR, Safety and Buildings, P.O. Box 7969, Madison, WI 53707

1. PROJECT INFORMATION: (Use the DILHR or municipal project label, or type or print the information.)

	Owner Information	Project Information
L	Name	Building Occupancy Chapter(s) & Use
A	Company Name	Tenant Name (if any)
B	Number and Street	Building Location (number & street)
E	City	<input type="checkbox"/> City <input type="checkbox"/> Village <input type="checkbox"/> Town of
L	State and Zip Code	County of
H	Plan or Reference Number	Property Identification Number
E	Name and Registration Number of the Building Supervising Professional	Building Project #
R	Name and Registration Number of the HVAC Supervising Professional	HVAC Project #
E		

2. PURPOSE OF THIS STATEMENT: (Check Box A, B, or C to indicate purpose and complete any other applicable boxes and information. Attach additional pages if necessary.)

- Building and HVAC
 Building Only
 HVAC Only
 Partial Completion

_____ Description of Portion Completed

A) Statement of Substantial Compliance

To the best of my knowledge, belief, and based on onsite observation, construction of the following building and/or HVAC items applicable to this project have been completed in substantial compliance with the approved plans and specifications.

BUILDING ITEMS

1. Structural system including submittal and erection of all building components (trusses, precast, metal building, etc.)
2. Fire protection systems (sprinklers, alarms, smoke detectors, fire extinguishers)
3. Exits including exit and directional lights
4. Shaft and stairway enclosures
5. Fire-resistive construction, enclosure of hazards, fire walls, labeled doors, class of construction
6. Sanitation system (toilets, sinks, drinking facilities)
7. Barrier-free access and circulation
8. All conditions of building plan approval and applicable variances

HVAC ITEMS

1. HVAC system including final test (ILHR 64.53)
2. All conditions of HVAC plan approval and applicable variances

The following items are not in compliance and must be addressed: _____

B) Statement of Noncompliance

Due to the following listed violations, this project is not ready for occupancy: _____

C) Supervising Professional Withdrawn From Project Date Withdrawn

(Use A or B above to indicate project status as of this date.)

3. SIGNATURES:

Building Supervising Professional	Date	HVAC Supervising Professional	Date
-----------------------------------	------	-------------------------------	------

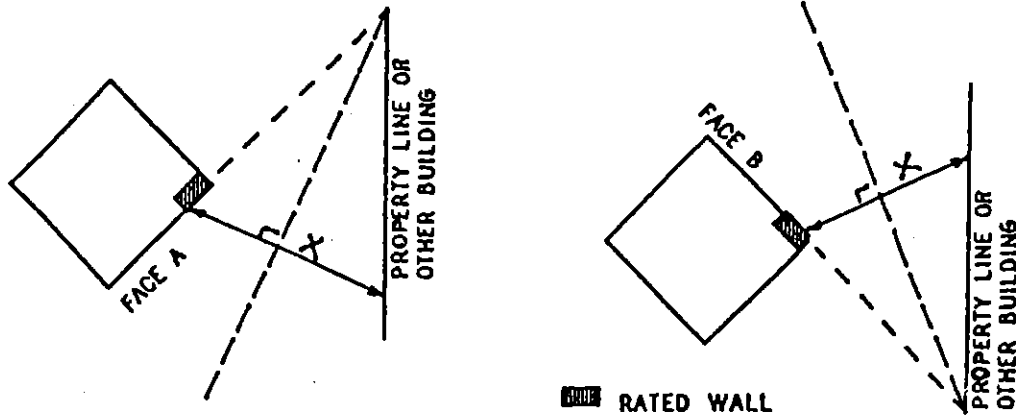
A-51.01 (12) BUILDING. The intent was to consider permanent awnings as part of a building.

A-51.01 (42) FAMILY. The intent of this definition is to clarify the use of the word "family" in reference to s. ILHR 51.01 (102a); it is not intended as a variance to the definition stated under s. ILHR 51.01 (102a) (b).

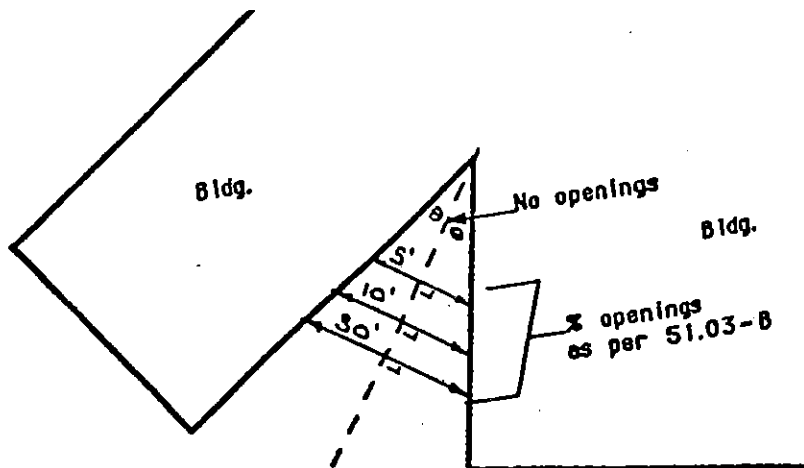
A-51.01 (67a) HABITABLE ROOM. It is the intent that rooms designated as recreation, study, den, family room, office, etc. and providing the only space for living and/or sleeping are considered habitable rooms.

A-51.01 (115) SETBACK. The intent was to not include gutters, downspouts, outdoor lighting fixtures, signs and similar attachments as part of a building.

To determine the portion of a wall (A) that is within a distance X from a property line or another building, extend the wall face to its intersection with the property line or other building. Bisect the angle formed by the intersection. Measure X perpendicular to the bisector. Repeat these steps for wall face B.



The following sketch shows setback measurements between intersecting or projected intersection of building faces.



A-51.01 (121) STORIES, NUMBER OF. For further clarification, refer to A-51.02 (14).

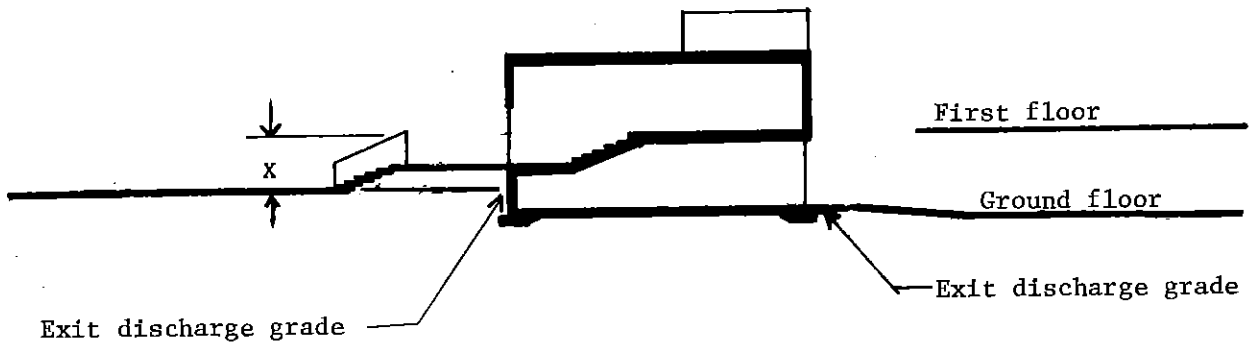
A-51.01 (144) WALL (DIVISION).

(a) *Building division wall* is intended to denote a wall constructed in a manner sufficient to meet requirements for a party wall [see "Wall (Party)"] and is acceptable as a dividing wall or enclosing wall when determining the volume of a building as referred to in ss. ILHR 50.07, 50.10 and 50.12.

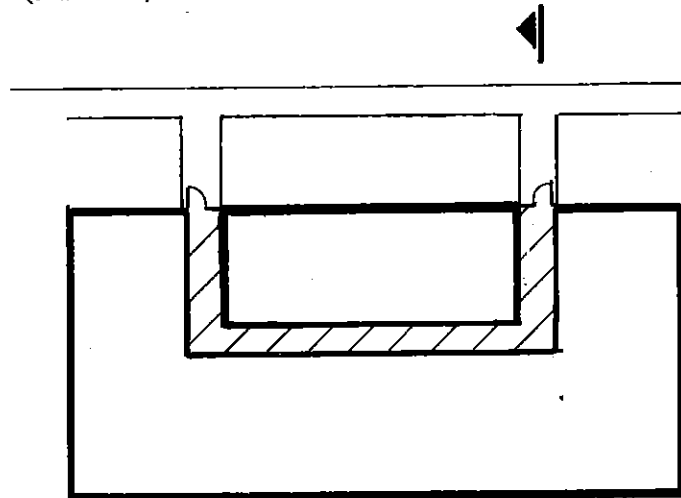
(b) *Fire division wall* is intended to relate to construction that provides separation between portions of a building to satisfy allowable floor area limitations, separation between 2 classes of construction, or separation of hazardous occupancies. For other separations, see "occupancy separations" and isolation of hazards sections of this code.

A-51.01 (151) WALL (PARTY). It is intended that a property consisting of joining plotted subdivisions owned by one individual, that can be owned by separate individuals, is included in the definition of party wall.

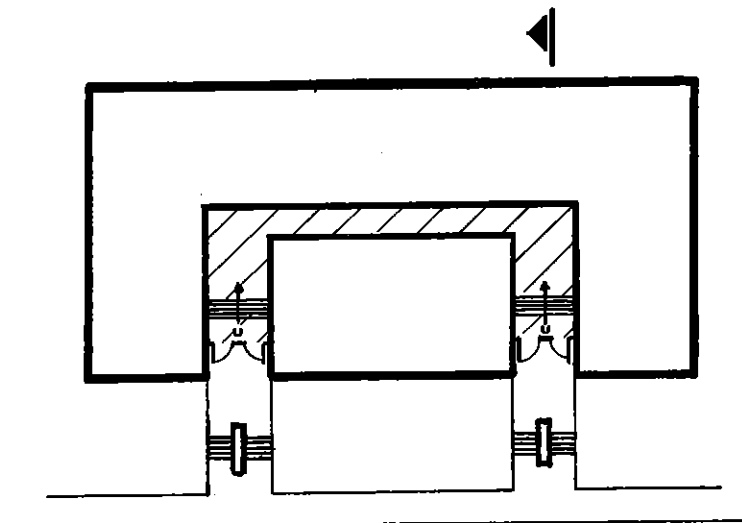
A-51.02 (14) DETERMINATION OF NUMBER OF STORIES. to this rule and the definition of s. ILHR 51.01 (121) Stories, Number of.
The following illustrations are provided to give visual aid



Note: X = 6'-0" (maximum)



Ground floor



First floor

A-51.03 (5) (a) EXTERIOR MASONRY CONSTRUCTION. The following Figures 1, 2, 3, 4, 5A and 5B illustrate typical details for various wall construction alternatives, which satisfy the intent of this rule for Type 5— Exterior Masonry Construction.

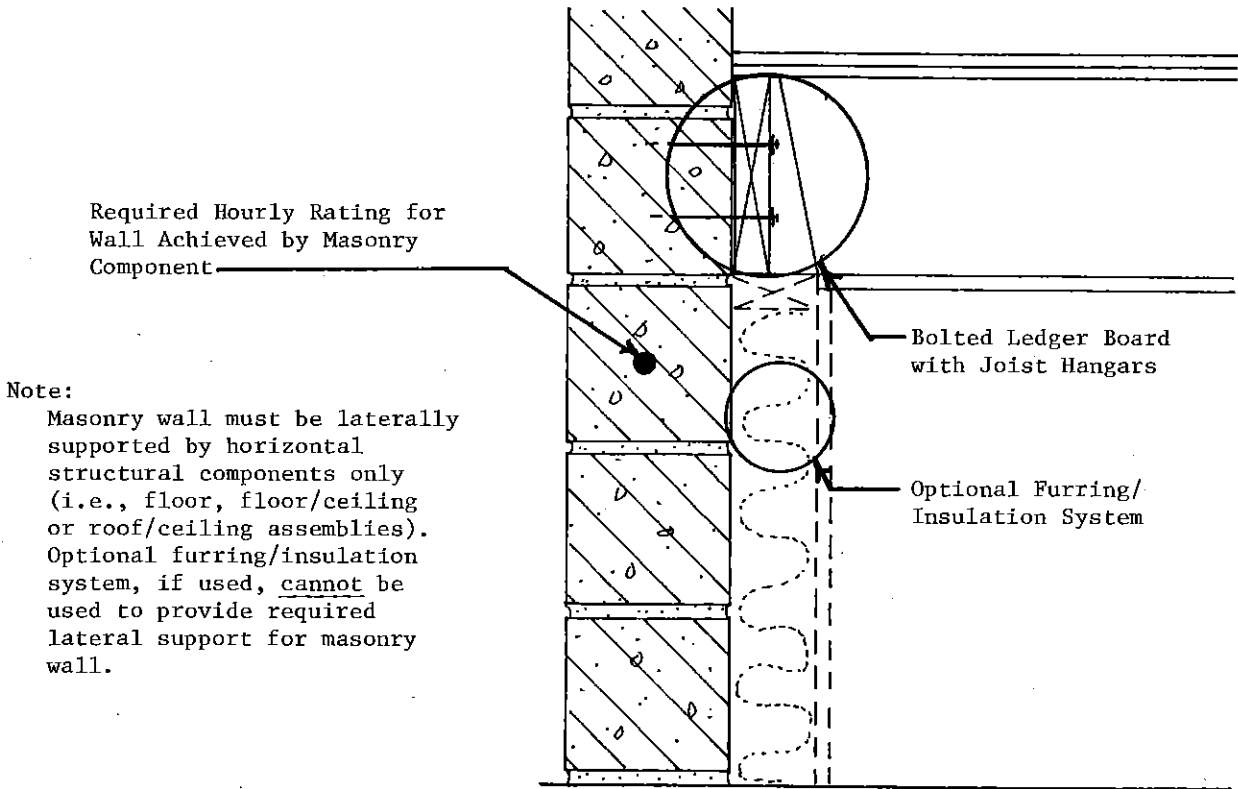


FIGURE 1
Single Wythe Masonry Wall
(Bearing Condition)

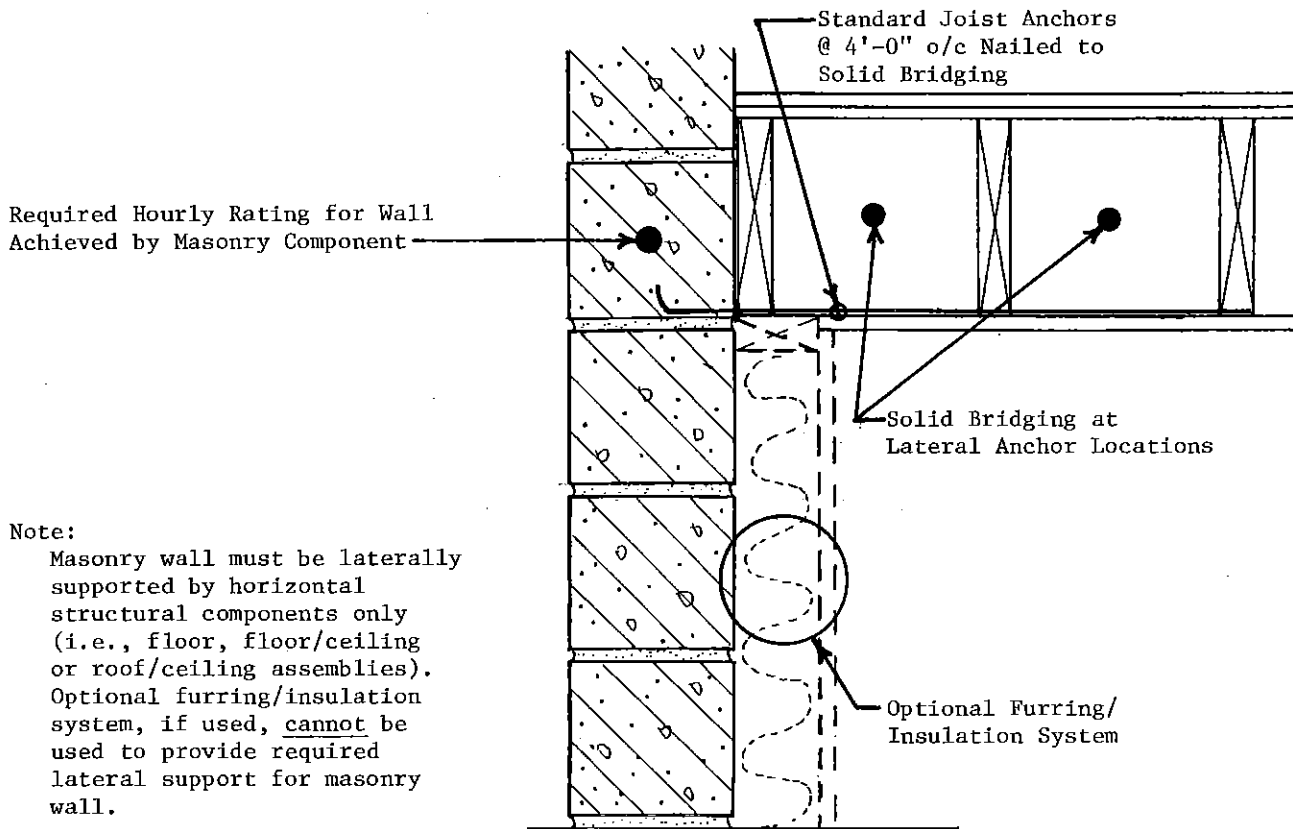


FIGURE 2
 Single Wythe Masonry Wall
 (Non-Bearing Condition)

Required Hourly Rating for Wall Achieved by Masonry Component

Note:

Masonry wall must be laterally supported by horizontal structural components only (i.e., floor, floor/ceiling or roof/ceiling assemblies). Optional furring/insulation system, if used, cannot be used to provide required lateral support for masonry wall.

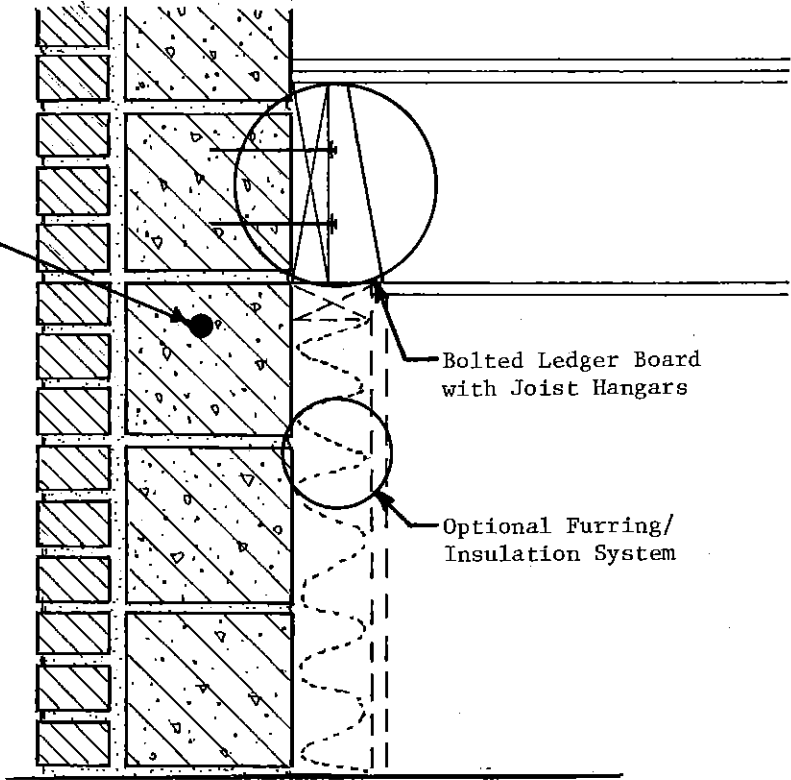


FIGURE 3
Multi-Wythe Masonry Wall
(Bearing Condition)

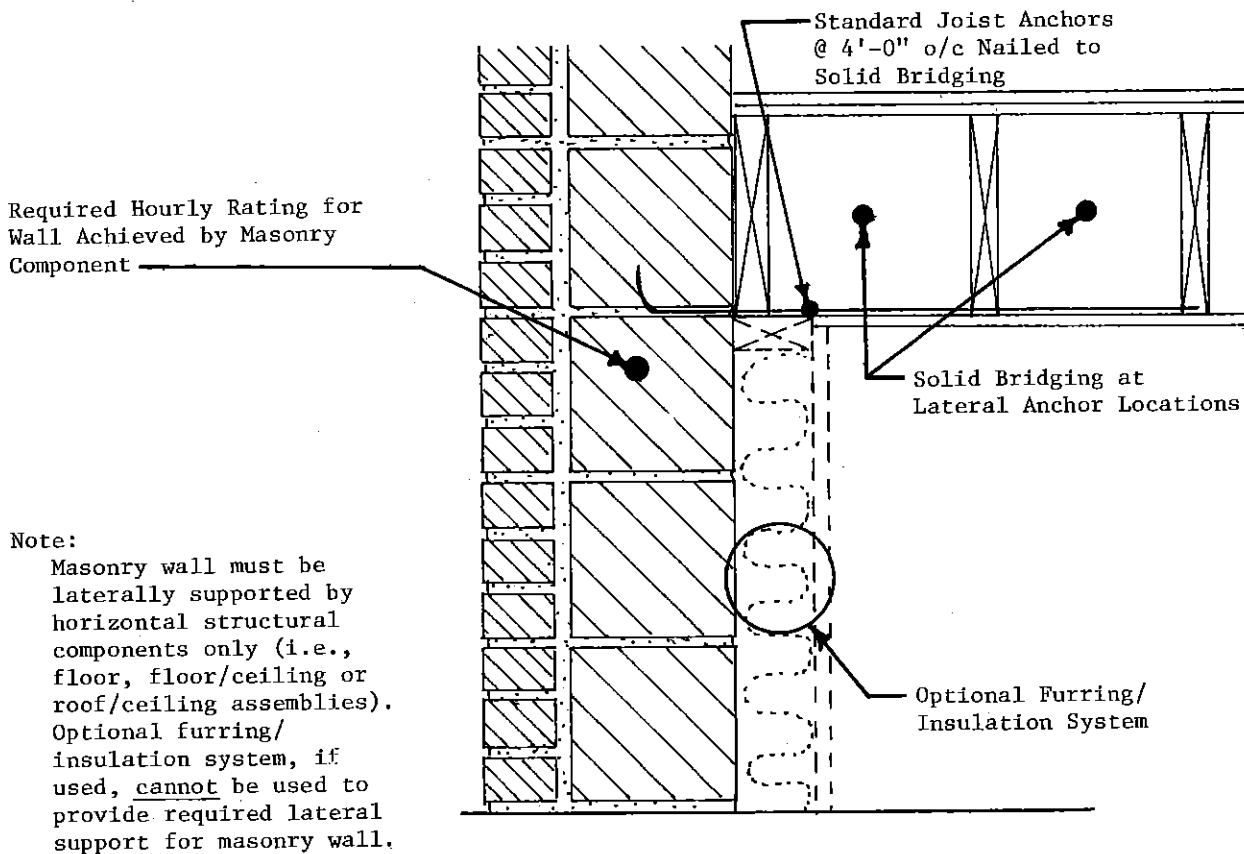


FIGURE 4
Multi-Wythe Masonry Wall
(Non-Bearing Condition)

Note:

Masonry wall must be laterally supported by horizontal structural components only (i.e., floor, floor/ceiling, roof/ceiling assemblies). Masonry cannot rely upon the back-up wall component for lateral support.

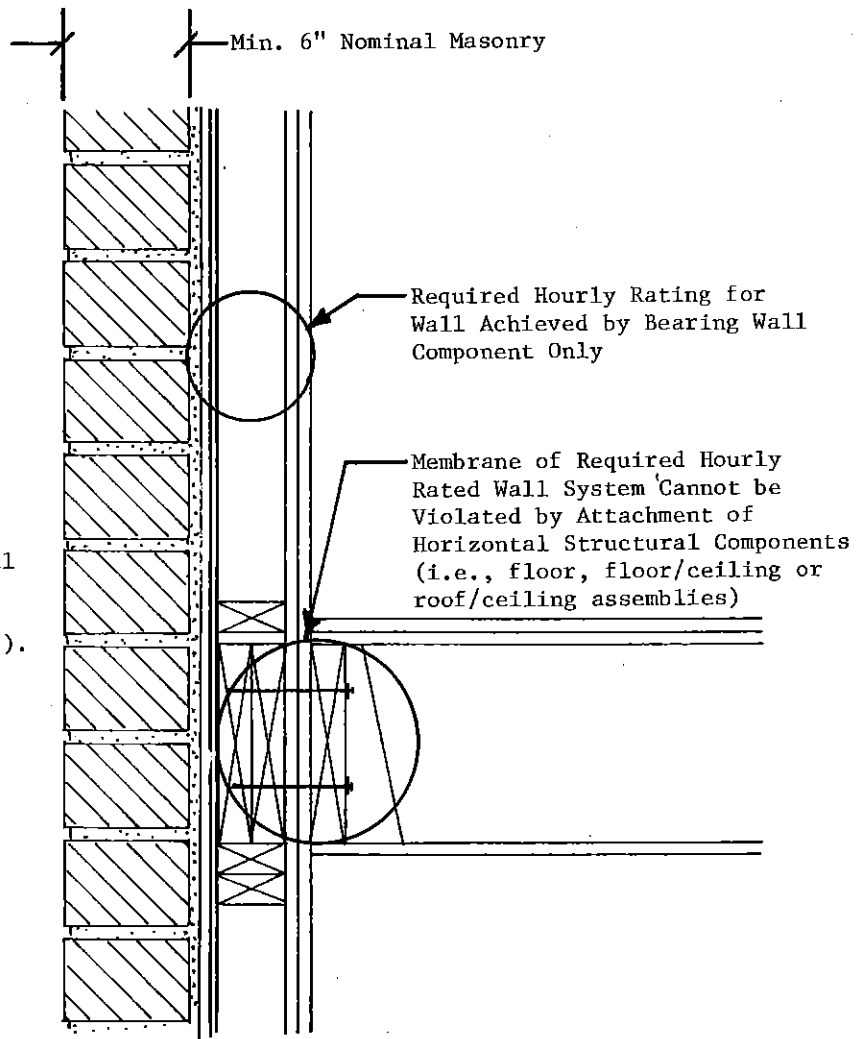


FIGURE 5A
Combination Masonry/Frame Wall
(Bearing and Non-Bearing Condition)

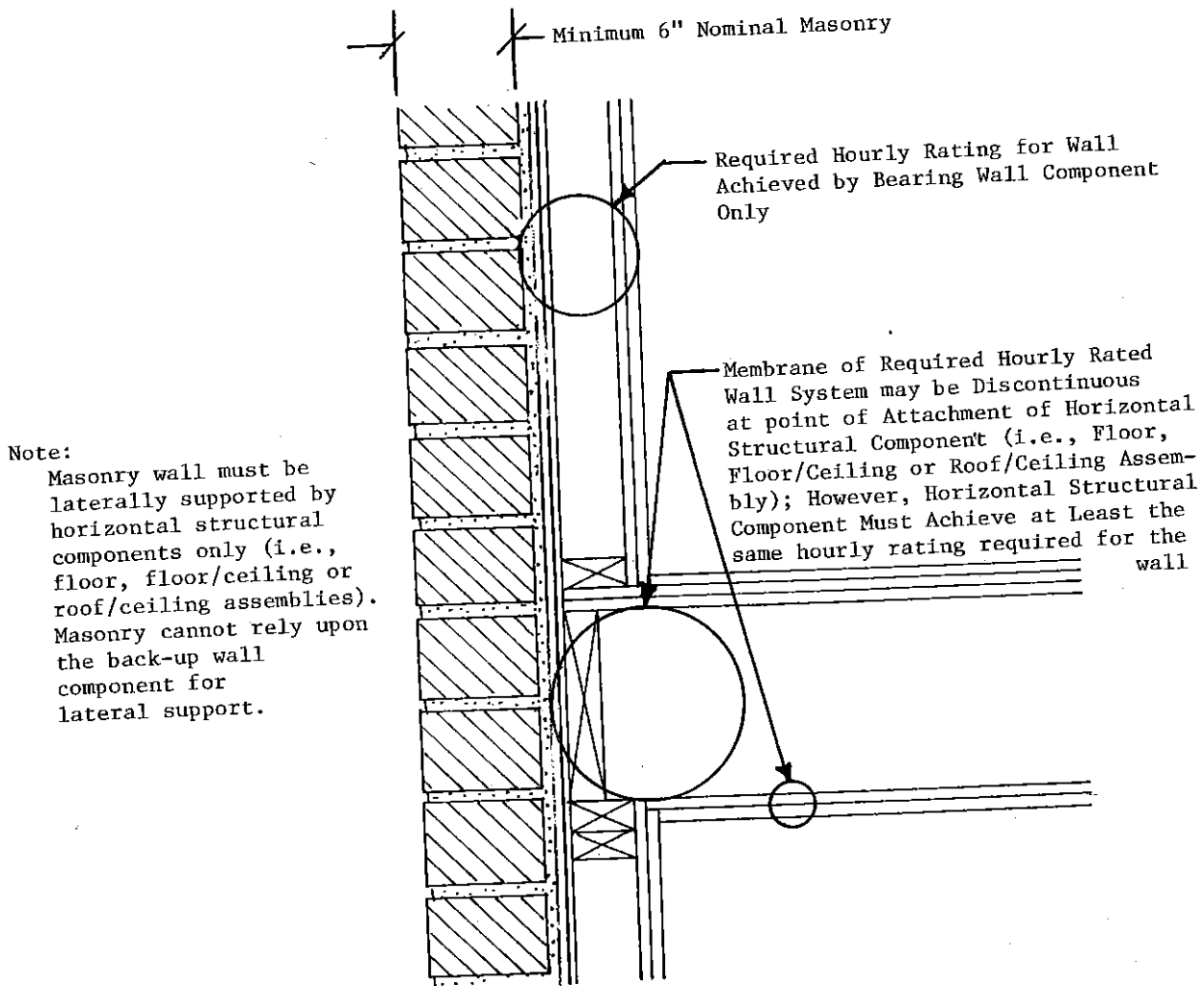


FIGURE 5B
Combination Masonry/Frame Wall
(Bearing and Non-Bearing Condition)

WISCONSIN ADMINISTRATIVE CODE

A-51.044 APPROVED TESTING LABORATORIES. The following laboratories have been approved by the department under s. ILHR 50.19. This list is current as of the date of printing this code. Additions and deletions may occur dur-

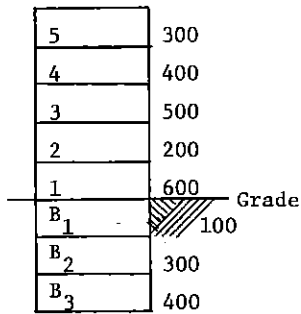
ing the effective period of this code. For information regarding the current status of a testing laboratory, call 608-266-1542.

TABLE A-51.044
APPROVED TESTING LABORATORIES

Name of Recognized Laboratory	ASTM STANDARD TEST						
	E-84	E-108	E-119	E-136	E-152	E-163	E-648
1. Applied Research Laboratories, Inc., Miami, FL	X	X	X	X	X	X	X
2. Commercial Testing Co., Inc., Dalton, GA	X	—	X	X	X	—	X
3. Construction Technologies, Laboratories, Skokie, IL	—	—	X	—	—	—	—
4. Factory Mutual Research Corp., Norwood, MA	X	X	X	X	X	X	X
5. Forest Product Laboratories, Madison, WI*	—	—	X	—	X	—	X
6. Hardwood Plywood Mfgs. Assoc., Reston, VA	X	—	—	—	—	—	X
7. Northwest Testing Lab., Inc., Portland, OR	—	—	X	—	X	X	—
8. Omega Point Laboratories, Inc. San Antonio, TX	X	X	X	X	X	X	X
9. PFS Corporation Madison, WI	X	—	X	—	X	—	—
10. Radco Carson, CA	X	—	—	—	—	—	—
11. Southwest Research Inst., San Antonio, TX	X	X	X	X	X	X	X
12. Underwriters Lab., Inc., Northbrook, IL	X	X	X	X	X	X	X
13. Univ. of Calif. — Berkeley, Richmond, CA	—	X	X	—	—	—	—
14. U.S. Testing Co. Fairfield, NJ	X	X	—	X	—	—	X
15. U.S. Testing Co. Los Angeles, CA	X	X	—	X	—	—	X
16. VTEC, Inc., Bronx, NY	X	X	X	X	—	—	X
17. Warnock Hersey Intl-Inc., Pittsburg, CA	X	X	X	—	X	X	—

* Reference based on research and development data. Facility is not available for conducting routine rating tests.

A-51.15 (6) EXAMPLE TO DETERMINE TOTAL AGGREGATE EXIT WIDTH.



Type No. 1 sprinklered construction.

Aggregate exit width required from a floor into the stairwell is 30 inches per 100 people on that floor; i.e.,

5th floor to stairwell = $3 \times 30 = 90''$

4th floor to stairwell = $4 \times 30 = 120''$

3rd floor to stairwell = $5 \times 30 = 150''$

etc.

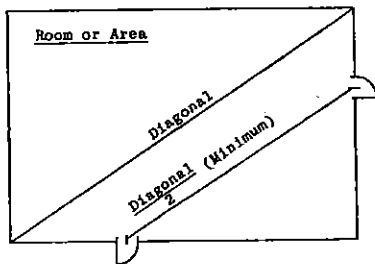
Total stair width required:

- 5th to 4th - 300 persons (100%) x 30"/100 persons = 90"
- 4th to 3rd - [400 persons (100%) + 300 persons (50%)] 30"/100 persons = 165"
- 3rd to 2nd - [500 persons (100%) + 400 persons (50%) + 300 persons (25%)] 30"/100 persons = 232.5"
- 2nd to 1st - [200 persons (100%) + 500 persons (50%) + 400 persons (25%)] 30"/100 persons = 165" (Use 232.5")
- 1st to exterior - [600 persons (100%) + (200 persons + 100 persons) (50%) + (500 persons + 300 persons) (25%)] 30"/100 persons = 285"
- B₁ to 1st - [100 persons (100%) + 300 persons (50%) + 400 persons (25%)] 30"/100 persons = 105" (Use 150")
- B₂ to B₁ - [300 persons (100%) + 400 persons (50%)] 30"/100 persons = 150"
- B₃ to B₂ - 400 persons (100%) x 30"/100 persons = 120"

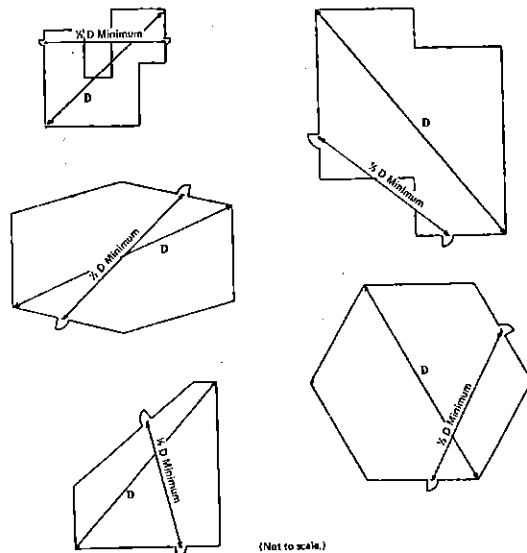
Stair width required from B₁ to 1 is 150" as stair cannot decrease in width along path to exit [ILHR 51.16 (2) (c)].

A-51.151 EXIT DISTRIBUTION. The following diagrams are provided to aid building designers in determining proper exit distribution:

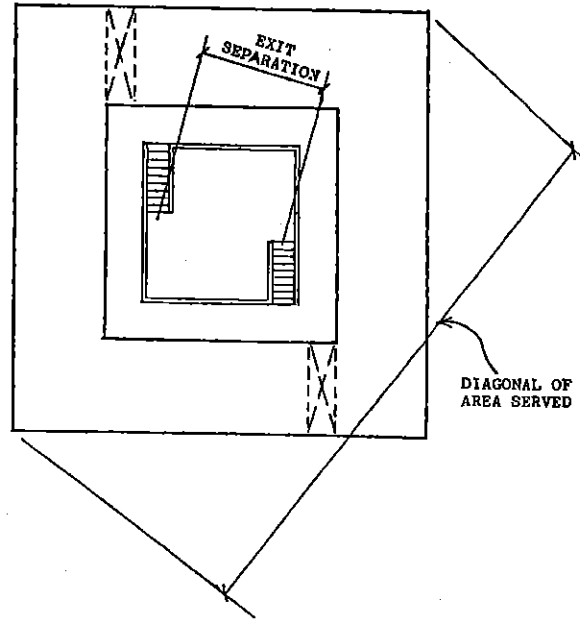
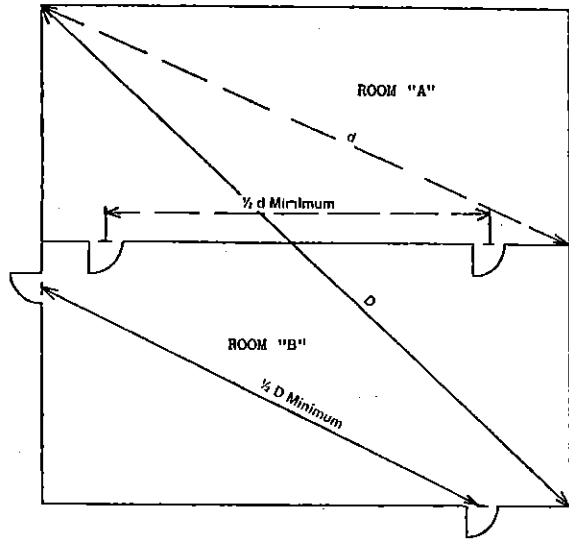
ARRANGEMENT OF EXITS



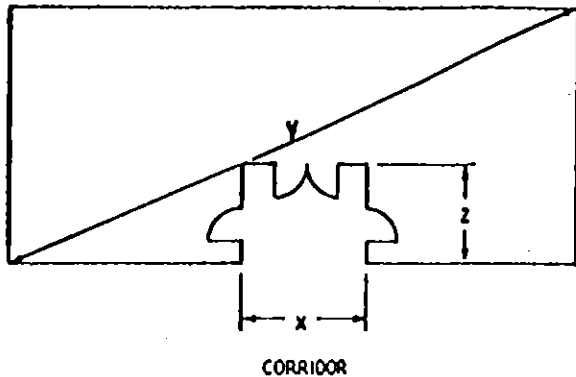
Minimum Distance = One-half of Diagonal



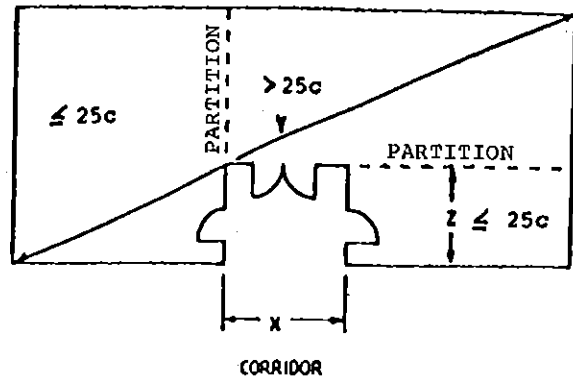
(Not to scale.)



A-51.152 EGRESS CONFIGURATIONS. The following diagrams are provided to aid building designers in determining proper egress configurations:



$$20' \leq x \leq \frac{y}{2}$$



$$20' \leq x \leq \frac{y}{2}$$

A-51.22 FIRE EXTINGUISHERS. The following information is taken from the National Fire Protection Association Standard #10-1988 - Portable Fire Extinguishers. The information is provided to assist building designers in determining the number, type and location of fire extinguishers needed to comply with the provisions of the standard.

1-4 Classification and ratings of fire extinguishers.

1-4.1 Portable fire extinguishers are classified for use on certain classes of fires and rated for relative extinguishing effectiveness at a temperature of plus 70°F by testing laboratories. This is based upon the preceding classification of fires and the fire-extinguishment potentials as determined by fire tests.

1-4.2 The classification and rating system described in this standard is that used by Underwriters Laboratories, Inc., and Underwriters Laboratories of Canada and is based on extinguishing preplanned fires of determined size and description as follows:

Class A Rating — Wood and excelsior.

Class B Rating — Two-inch depth n-heptane fires in square pans.

Class C Rating — No fire test. Agent must be a non-conductor of electricity.

Class D Rating — Special tests on specific combustible metal fires.

1-5 CLASSIFICATION OF HAZARDS.

1-5.1 Light (low) hazard. Light hazard occupancies are locations where the total amount of Class A combustible materials, including furnishings, decorations and contents, is of minor quantity. This may include some buildings or rooms occupied as offices, classrooms, churches, assembly halls, etc. This classification anticipates that the majority of contents items are either noncombustible or so arranged that a fire is not likely to spread rapidly. Small amounts of Class B flammables used for duplicating machines, art departments, etc., are included provided that they are kept in closed containers and safely stored.

1-5.2 Ordinary (moderate) hazard. Ordinary hazard occupancies are locations where the total amount of Class A combustibles and Class B flammables are present in greater amounts than expected under light (low) hazard occupancies. These occupancies could consist of offices, classrooms, mercantile shops and allied storage, light manufacturing, research operations, auto showrooms,

parking garages, workshop or support service areas of light (low) hazard occupancies and warehouses containing Class I or Class II commodities as defined by NFPA 231, Standard for General Storage.

1-5.3 Extra (high) hazard. Extra hazard occupancies are locations where the total amount of Class A combustibles and Class B flammables present, in storage, production use, and/or finished product is over and above those expected and classed as ordinary (moderate) hazards. These occupancies could consist of woodworking, vehicle repair, aircraft and boat servicing, individual product display showrooms, product convention center displays, storage and manufacturing processes such as painting, dipping, coating, including flammable liquid handling. Also included is warehousing of, or in-process storage of other than Class I and Class II commodities.

3-2 FIRE EXTINGUISHER SIZE AND PLACEMENT FOR CLASS A HAZARDS.

3-2.1 Minimal sizes of fire extinguishers for the listed grades of hazards shall be provided on the basis of Table 3-2.1 except as modified by 3-2.3. Extinguishers shall be located so that the maximum travel distances shall not exceed those specified in Table 3-2.1, except as modified by 3-2.3.

3-2.1.1 Certain smaller extinguishers which are charged with multipurpose dry chemical or Halon 1211 are rated on Class B and Class C fires, but have insufficient effectiveness to earn the minimum 1-A rating even though they have value in extinguishing smaller Class A fires. They shall not be used to meet the requirements of 3-2.1.

3-2.2 Up to one-half of the complement of extinguishers as specified in Table 3-2.1 may be replaced by uniformly spaced 1½ inch hose stations for use by the occupants of the building. When hose stations are so provided they shall conform to NFPA 14, Installation of Standpipe and Hose Systems. The location of hose stations and the placement of fire extinguishers shall be in such a manner that the hose stations do not replace more than every other extinguisher.

3-2.3 Where the floor area of a building is less than that specified in Table 3-2.1, at least one extinguisher of the minimum size recommended shall be provided.

3-2.4 The protection requirements may be fulfilled with extinguishers of higher rating provided the travel distance to such larger extinguishers shall not exceed 75 feet.

WISCONSIN ADMINISTRATIVE CODE

Table 3-2.1

	Light (Low) Hazard Occupancy	Ordinary (Moderate) Hazard Occupancy	Extra (High) Hazard Occupancy
Minimum rated single extinguisher	2-A	2-A	4-A*
Maximum floor area per unit of A	3,000 sq. ft.	1,500 sq. ft.	1,000 sq. ft.
Maximum floor area for extinguisher	11,250 sq. ft.	11,250 sq. ft.	11,250 sq. ft.
Maximum travel dis- tance to extin- guisher	75 ft.	75 ft.	75 ft.

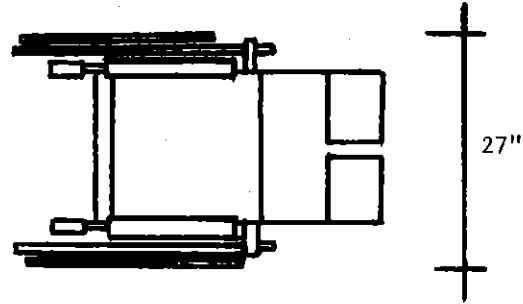
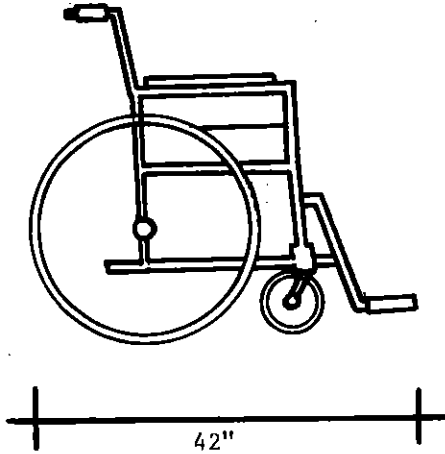
*Two 2 ½ gal water type extinguishers can be used to fulfill the requirements of one 4-A rated extinguisher.

A-52.011 HAZARD CLASSIFICATIONS. The following information is provided to assist building owners and designers in determining the hazard classifications of typical building usage or occupancy:

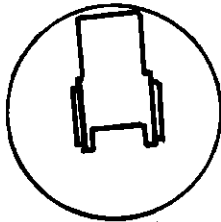
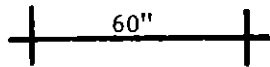
HAZARD CLASSIFICATION	DESCRIPTION OF FUEL LOAD	TYPICAL EXAMPLES
Low Hazard	Buildings or structures used for the manufacture or storage of noncombustible or low hazard materials, that do not ordinarily burn rapidly, such as but not limited to: asbestos; chalk; non-alcoholic beverages; brick and masonry; ceramic products; gypsum; glass and metals; foods in noncombustible containers; fresh fruits and vegetables in non-plastic containers; dairy products in non-wax coated paper containers; beer or wine in metal or glass containers; electrical motors and coils; and fertilizer.	Metal fabricating and assembly; foundries; water pumping and waste water treatment plants; fertilizer storage; telephone exchanges; freezer warehouses; storage in closed front metal cabinets; storage of noncombustible or low hazard materials on wood pallets or in paper cartons without significant amounts of combustible wrappings; and similar occupancies with slight combustibles.
Moderate Hazard	Buildings and structures used for the manufacture or storage of moderate hazard materials, which are likely to burn with moderate rapidity, but which do not produce either poisonous gases, fumes or explosives, such as but not limited to: cloth, burlap and paper bags; bamboo and rattan; canvas and leather belting; baskets; books and paper in rolls or packs; boots and shoes; cardboard and cardboard boxes; clothing; cordage; furniture; furs; glue, mucilage, paste and size; linoleum; silk; soap; sugar; tobacco products; wax candles; athletic equipment; musical instruments; beverages containing more than 12% alcohol; furniture other than metal; business machines; electronics; and plastic products not classified as high hazard.	Mercantile storage and display; offices; school-rooms; auto showrooms; aircraft storage; light manufacturing; school shop areas; leather enameling or japanning operations; grain elevators with less than one million bushel bulk storage capacity; livestock shelters; fertilizer bagging operations; feed, flour and grist mills; lumber yards; motor vehicle repair shops; petroleum warehouses for storage of lubricating oils with a flash point of 200°F. or higher; photo engraving operations; public garages; stables; upholstering and mattress manufacturing; aircraft servicing; woodworking and millworking; bakeries; boat building operations; food processing; condensed and powdered milk manufacturing; paper mills or products; printing or publishing; refuse incinerators; and textile mills.
High Hazard	Buildings and structures used for the storage, manufacture or processing of: highly combustible or explosive products or materials, which are likely to burn with extreme rapidity or which may produce poisonous fumes or explosions; highly corrosive, toxic or noxious alkalis, acids or other liquids or chemicals producing flame, fumes, poisonous, irritant or corrosive gases; materials producing explosive mixtures or dusts or which result in the division of matter into fine particles subject to spontaneous ignition.	Ammunition, explosive and firework manufacture; artificial flowers and synthetic leather manufacture; celluloid and celluloid products; cotton batting and waste processes; dry cleaning establishments using or storing more than 3 gallons of flammable liquids with a flash point below 100°F. or more than 60 gallons of flammable liquids with a flash point between 100°F. and 140°F.; feather renovating; fruit ripening processes; grain elevators with one million bushel or more bulk storage capacity; hydrogenation processes; match manufacture and storage; metal enameling and japanning; nitro-cellulose film exchanges and laboratories; paint and varnish manufacture; petroleum manufacture; processing of paper or cardboard in loose form; pyroxylin product storage and manufacture; smoke houses; factories or warehouses where loose combustible fibers or dust are manufactured, processed, generated or stored; handling or using flammable liquids under conditions involving possible release of flammable vapors; and fabrication facilities and research and development areas in which hazardous production materials are used.

A-52.04 REQUIREMENTS FOR BARRIER-FREE ENVIRONMENTS. The following illustrations are provided to give the designer visual aids for making facilities accessible.

WHEELCHAIR DIMENSIONS



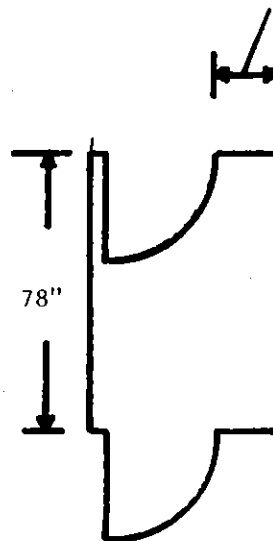
TURNING SPACE



180-360° Turn

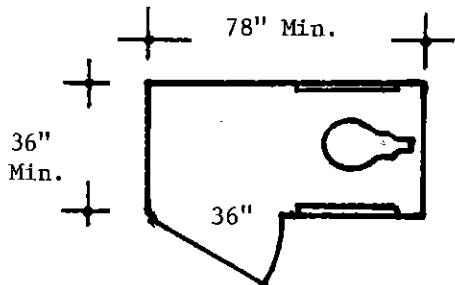
DOORS IN SERIES

18" Minimum, 24" Preferred



Doors in series should be hinged on the same side and should swing in the same direction. A minimum of 18 inches of clear space should be provided on the door knob side of the door. The length of the vestibule should be a minimum of 78 inches.

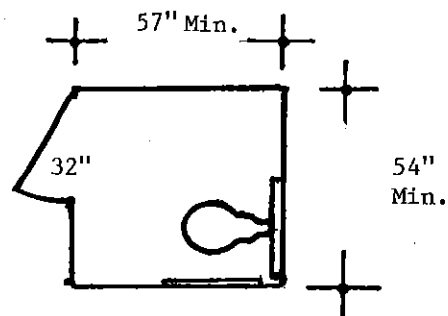
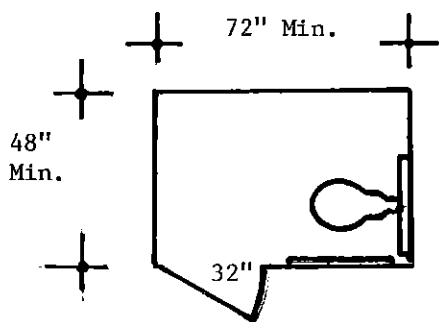
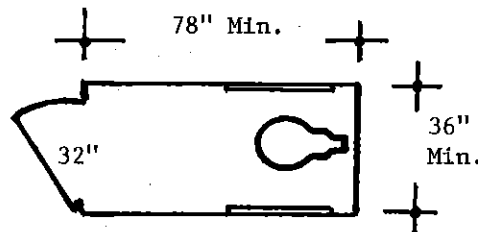
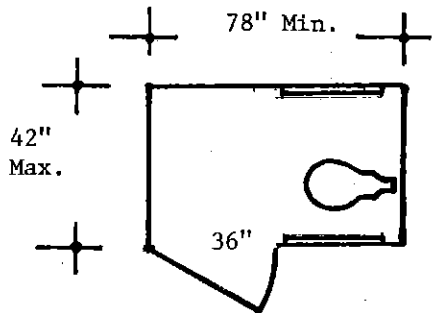
EXAMPLES OF ACCESSIBLE TOILET COMPARTMENTS
AS SPECIFIED IN TABLE 52.04-A



Recommended fixtures:

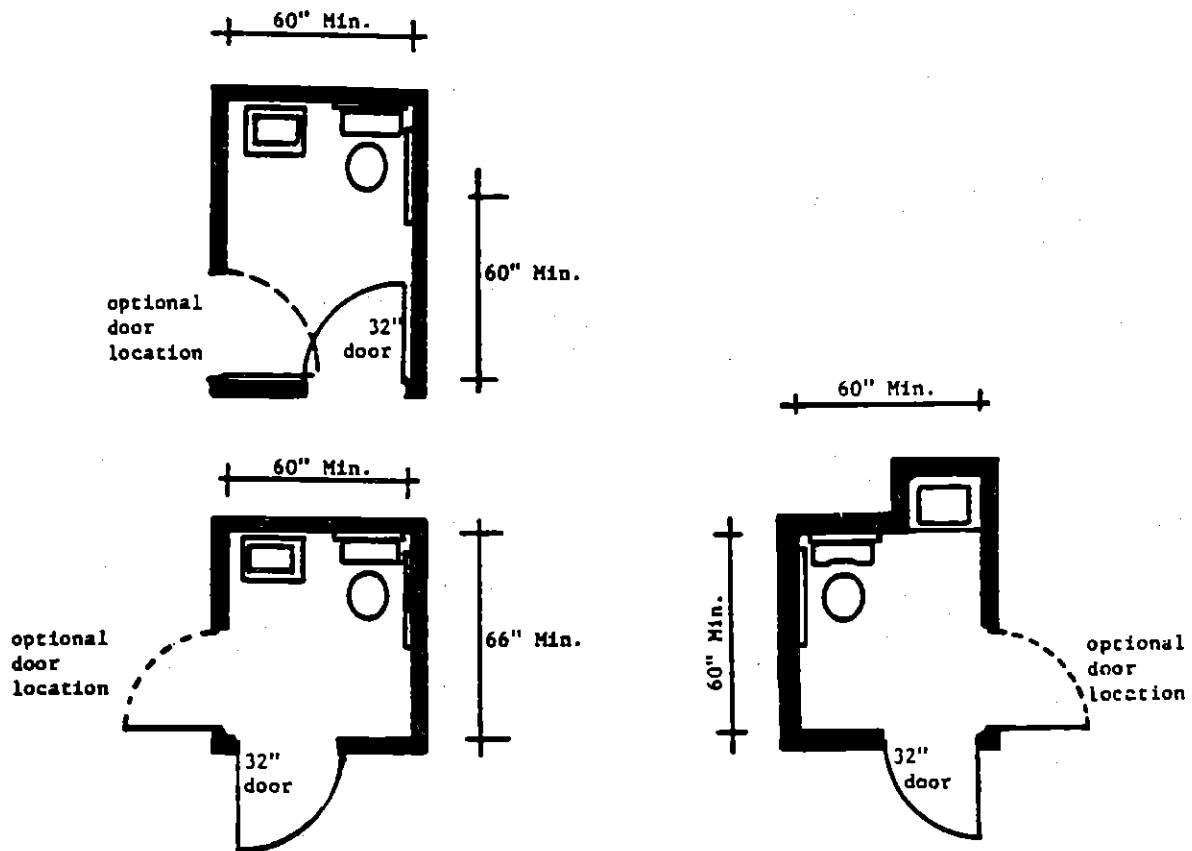
1. Elongated bowl;
2. Wall mounted.

Note: These are examples of toilet room compartments which are located within accessible toilet rooms.



The door of the 54" x 57" water closet compartment having a frontal approach should not align with the placement of the water closet.

WISCONSIN ADMINISTRATIVE CODE

EXAMPLES OF ACCESSIBLE TOILET ROOMS
CONTAINING ONE LAVATORY AND ONE WATER CLOSET

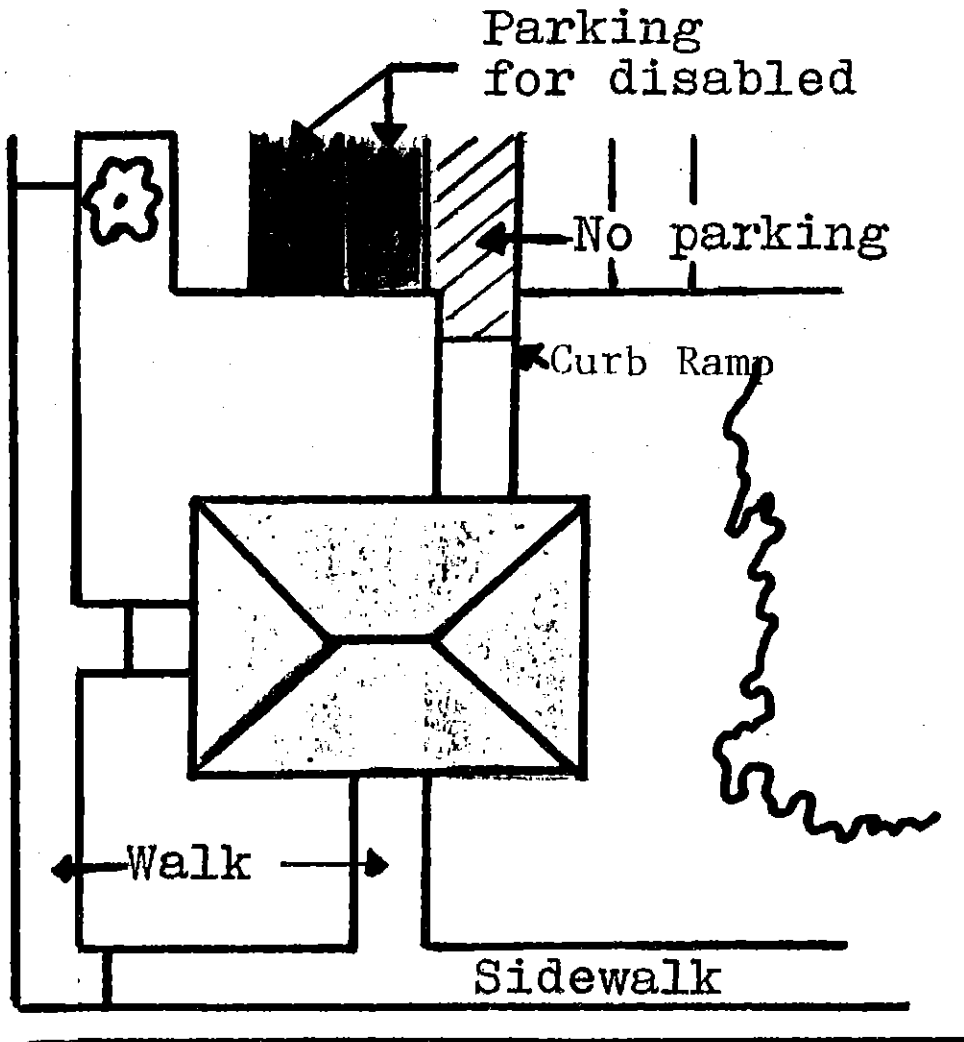
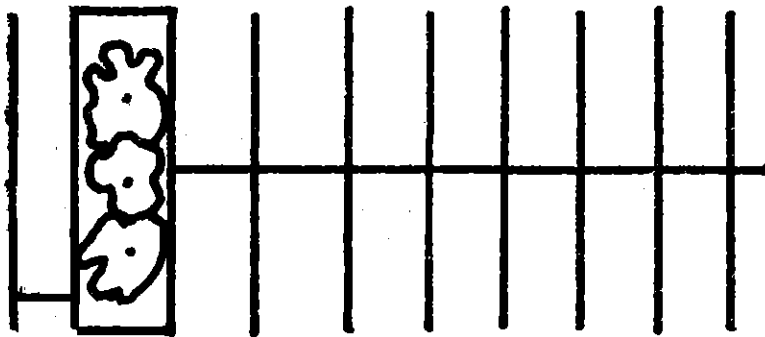
Note #1: These examples of accessible toilet rooms may be used in health care facilities in that sufficient room for the attendant is provided.

Note #2: These examples may be modified by substituting pocket sliding doors for the swing doors shown in the examples. Surface-mounted hardware is recommended for pocket sliding doors.

A-52.04 (3) (a) *Parking spaces.* Where parking spaces are provided, accessible parking spaces, at least 12 feet wide, shall be provided and designated as specified in Table

52.04-A. Access ramps or curb ramps shall not be located in the accessible parking space or any other parking space.

Parking



A-52.04 (3) (a) SITE REQUIREMENTS — PARKING SPACE IDENTIFICATION. The following is a reprint of Wisconsin Department of Transportation's administrative rule, s. Trans 200.07, dealing with the signage for parking spaces designated for the physically disabled:

Trans 200.07 Handicapped parking signs. (1) PURPOSE. The purpose of this section is to define and illustrate the design, size and installation requirements of the official traffic signs required under s. 346.503 (1), Stats., related to reserved parking spaces for handicapped persons.

(2) SIGN DESCRIPTION. (a) The sign shall consist of a white rectangle with longer dimension vertical, having green message, a green arrow, if required under this section, and a blue and white international symbol for the barrier-free environments. The sign may be reflective or nonreflective.

(b) The sign shall include the words "reserved parking" and the words "vehicles with VET or DIS plates or state disabled card" or other words with a similar meaning.

(c) The size of the sign shall be not less than 12 inches by 18 inches. When used on a highway with a speed limit of more than 35 miles per hour, it shall be not less than 18 inches by 24 inches.

(d) A right arrow, left arrow or the words "This Stall" or similar wording shall be included near the bottom of the sign.

(3) SIGN PLACEMENT. Each sign shall be erected on an adequate support. On highways, the vertical distance from roadway to the bottom of a sign shall be not less than 7 feet, except when overhead obstructions necessitate a lower height. In off-highway parking lots, the vertical distance from the parking lot surface, or top of curb if any, to the bottom of a sign shall be not less than 4 feet. A single sign with the message "This Space" or similar wording shall be used to designate a single reserved space. At least

2 signs are required for multiple reserved spaces. When 2 signs are used they shall be located at the outermost limits of the spaces reserved and, by arrow, designate the location of the reserved spaces.

(a) A sign shall be located at the end of an angled or right-angled space and shall be set to face a motorist entering the space.

(b) When the reserved space is parallel to the edge of a roadway, a sign shall be set at an angle of approximately 30° degrees with the line of traffic.

(4) Signs which are in place prior to the effective date of this section may remain in place and have the same effect as the signs described herein for 5 years after the effective date of this chapter provided that they include the international symbol for barrier-free environments and the wording required under (2) (b) either as part of the original sign or on a supplementary placque or placques. The requirements under (3) do not apply to these signs.

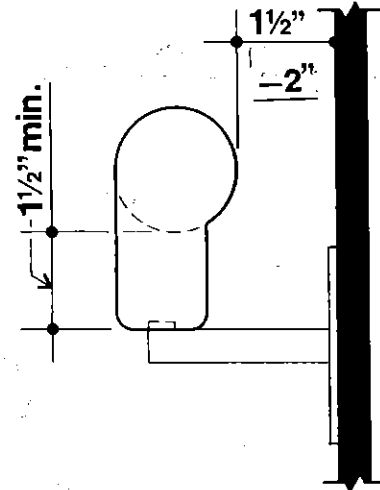
A-52.04 (3) (b) SITE REQUIREMENTS — CURB RAMPS. The following is a reprint of s. 66.616 (3) (a), Stats., dealing with the design and construction of curb ramps:

(a) Curb ramping shall be of permanent construction. The ramp shall be at least 40 inches wide. The sides of the ramp shall slope from the sidewalk or apron elevations to the ramp elevation with the widest portion of the side slope not less than 18 inches nor more than 24 inches wide at the curb. The ramp slope may not exceed one inch vertical to 12 inches horizontal from the flow line elevation of the curb. The curb opening shall be not less than 40 inches nor more than 80 inches wide at the flow line of the curb. The taper of the curb from the top of the curb to the flow line of the curb at the curb opening shall be not less than 18 inches nor more than 24 inches wide. The ramp shall be bordered on both sides and on the curb line with a 4-inch-wide yellow stripe or with brick of a contrasting color.

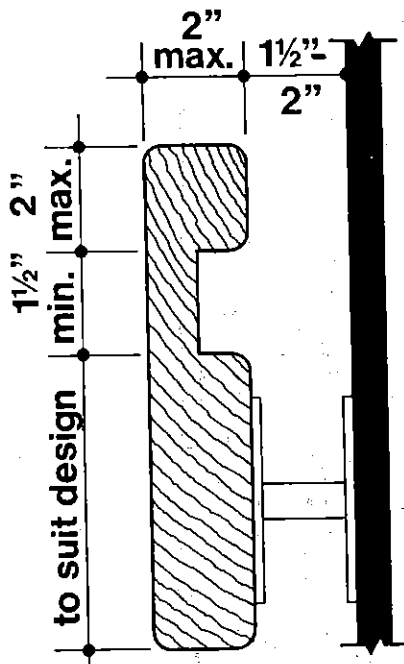
A-52.04 (3) (d) 3. and
(7) (c)

The handgrip portion of the handrail, if round, shall be not less than 1-1/4 in. nor more than 2 in. in diameter. If the shape of the handrail is not round, then the larger dimension shall be not more than 2 in.

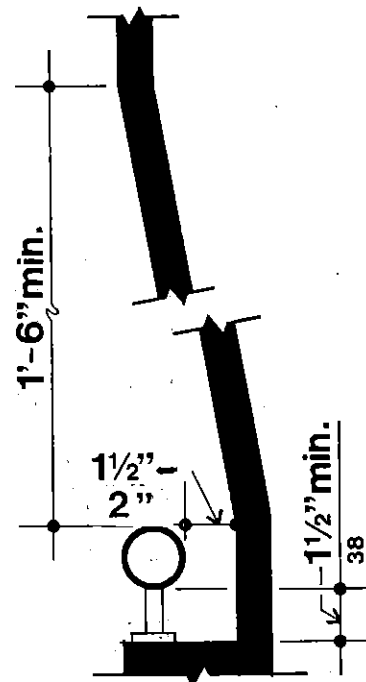
If handrails are mounted adjacent to walls or other surfaces, provide a 1-1/2 in. - 2 in. clear space between the surface and the handrail. The handrail and the surfaces adjacent to the handrail shall be free of any sharp or abrasive elements.



handrail



handrail



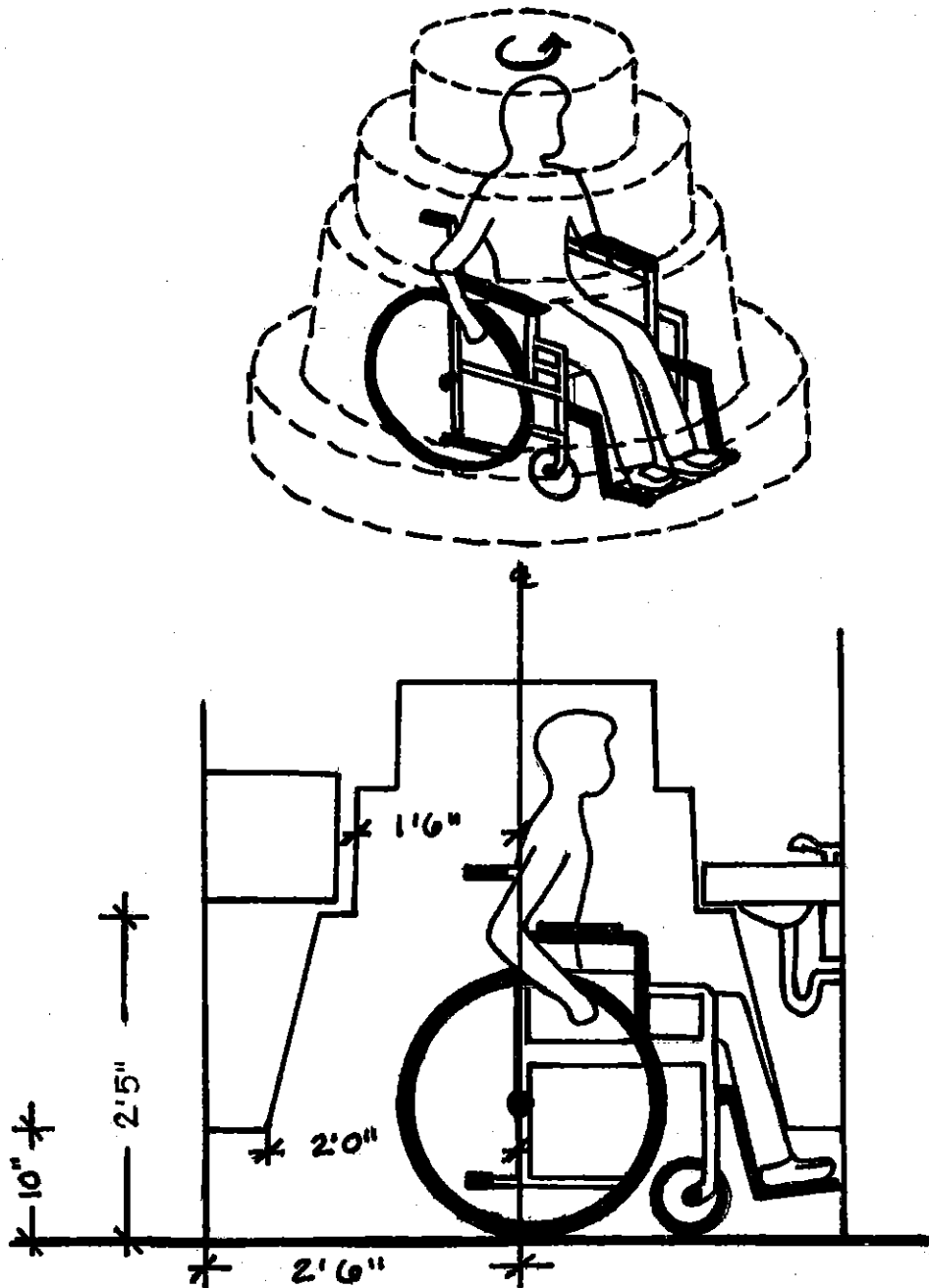
handrail

A-52.04 (4) (b) LIFTS FOR THE PHYSICALLY DISABLED. Information for lifting devices for the physically disabled and procedures for approval may be obtained from the Division of Safety and Buildings, Bureau of Technical Services, Elevator Section, P.O. Box 7969, Madison, Wisconsin 53707.

compartments shall be sized to provide ease of access, usability and uninterrupted mobility. Fixtures, doors and other obstructions shall be arranged to insure accessibility.

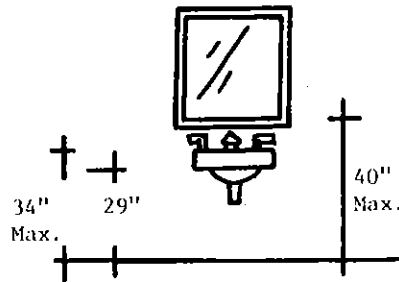
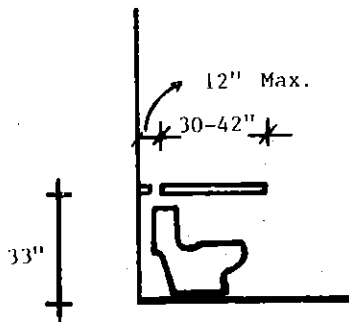
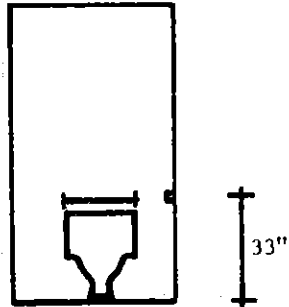
The space underneath lavatories can be utilized in sizing a toilet room for accessibility.

A 52.04 (8) Toilet facility details. (a) *Accessible toilet rooms and compartments.* Accessible toilet rooms and toilet

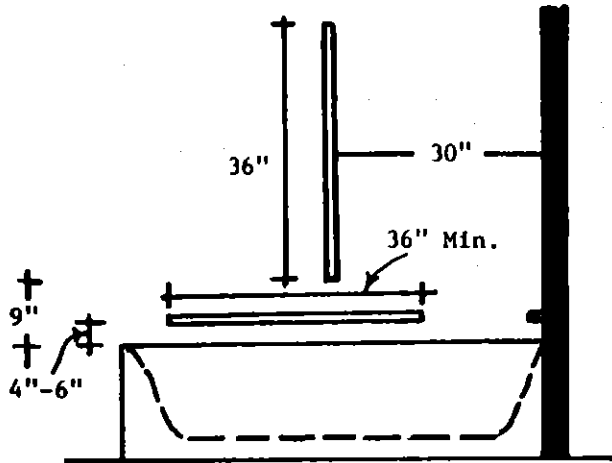


ACCESSIBLE TOILET ROOMS

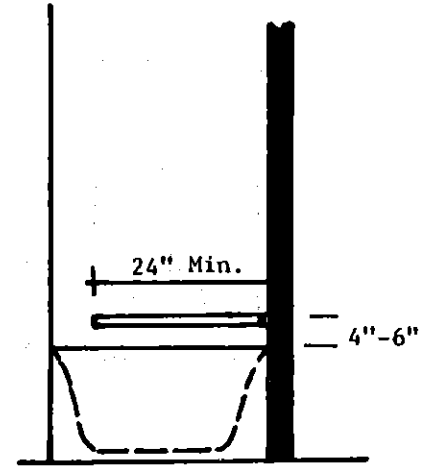
It is recommended that grab bars be from 30 to 42 inches in length and located no more than 12 inches from the back wall.



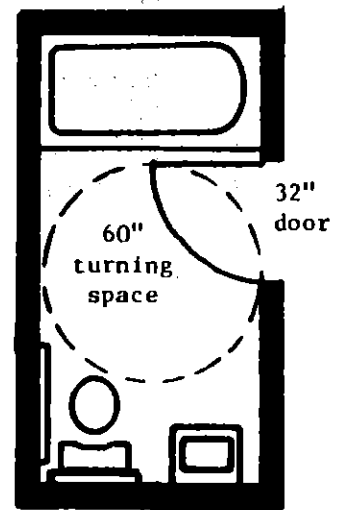
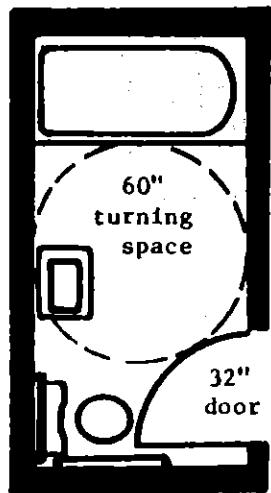
ACCESSIBLE BATHING FACILITIES



Side Elevation - Bathtub

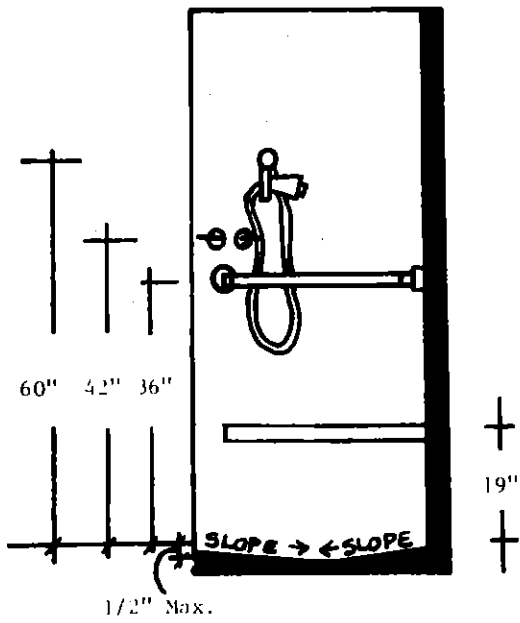


End Elevation - Bathtub

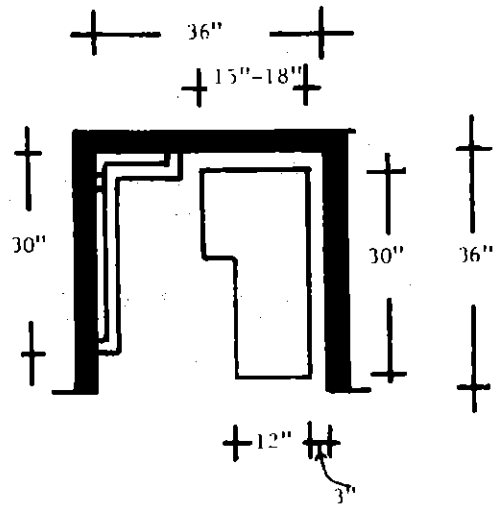


These diagrams are examples of accessible bathrooms which may be used for motels, hotels, hospitals and nursing homes.

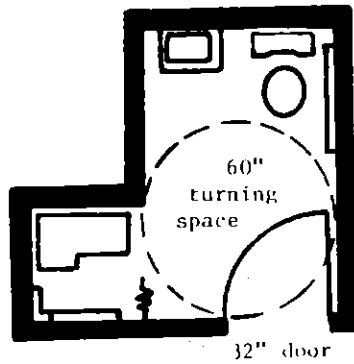
ACCESSIBLE BATHING FACILITIES



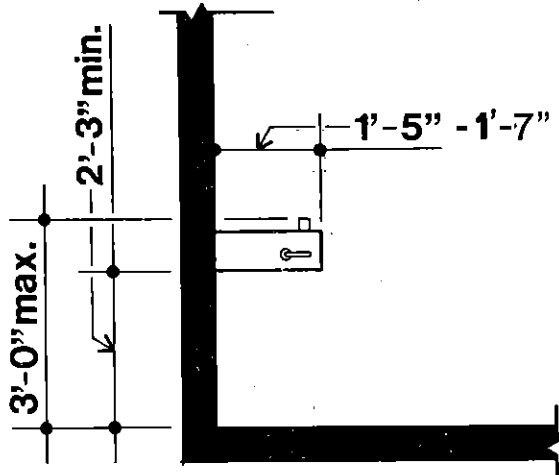
Section View - Shower



Plan View - Shower

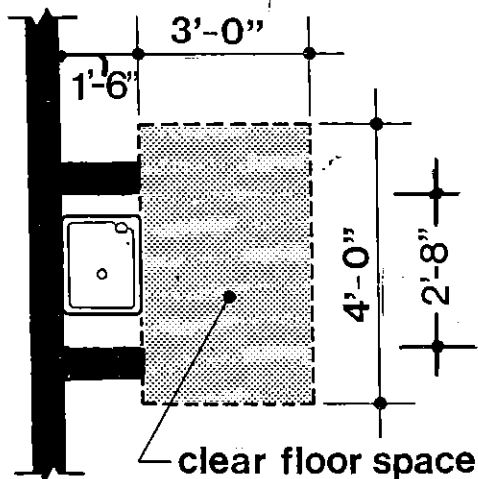


EXAMPLES OF ACCESSIBLE WATER COOLERS



cantilevered
drinking fountain

A-52.04 (11) (a) 4.a.
Wall and postmounted
cantilevered units
shall have a clear knee
space between the bottom
of the apron and the
floor or ground at
least 27 inches high,
32 inches wide, and
17 inches to 19 inches
deep.



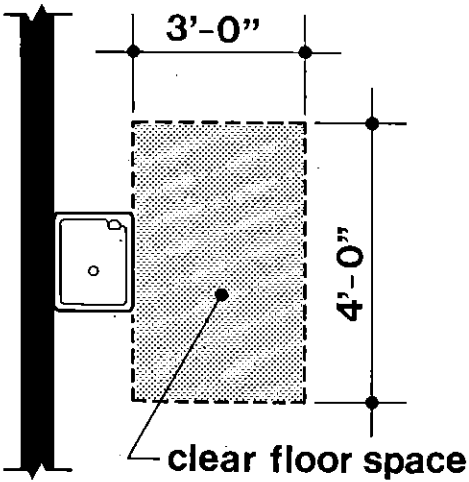
built in
drinking fountain

A-52.04 (11) (a) 5.
'Alcoves'. Water
fountains and water
coolers shall be located
completely within alcoves,
or positioned so as not
to encroach into pedestrian
walkways. Alcoves shall
be not less than 32 inches
in width and 18 inches
in depth.

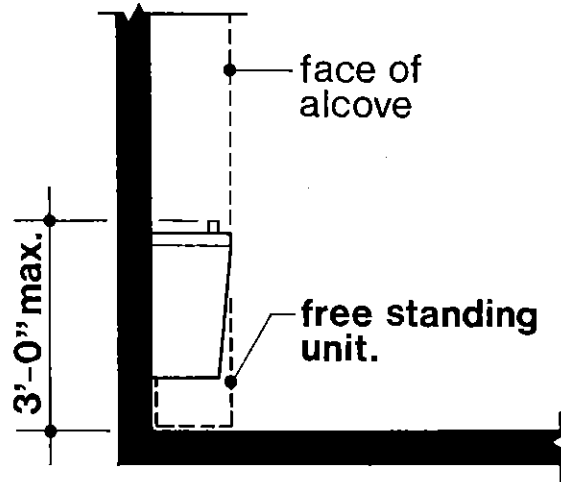
EXAMPLES OF ACCESSIBLE WATER COOLERS

A-52.04 (11) (a) 4.b.

Free-standing or built-in units not having a clear space under them shall have a clear floor space at least 36 inches by 48 inches that allows a person in a wheelchair to make a parallel.



**free standing
or wall hung**
drinking fountain



**free standing
or wall hung**
drinking fountain



INTERNATIONAL SYMBOL FOR BARRIER-FREE ENVIRONMENTS

A-52.07 (11) ACCEPTANCE OF THE ATRIUM SMOKE CONTROL SYSTEM. The following is a reprint of an approved test procedure:

Acceptance test procedure for the atrium smoke management system.

1. All testing shall be in the presence of a representative from the department.

2. All exhaust and supply-air systems shall be operationally balanced and tested. Complete air-balance reports shall be recorded on each piece of equipment, all exhaust inlets, and all supply outlets.

3. Each automatic initiating device shall be tripped to observe proper function. This test shall be performed on both normal and emergency power.

4. Each manual switch and override shall be tripped to observe proper function. This test shall be performed on both normal and emergency power.

5. All indicator lights shall display the appropriate detection and operating status.

6. Select a location on the first floor approximately 5 ft. outside the perimeter of the atrium opening. The location shall be acceptable to the department's representative.

7. Prepare three two-minute smoke bombs.

8. Ignite all three smoke bombs. When they become fully active, manually activate the atrium smoke-management system.

9. Observe and record the results.

10. After all smoke has been cleared, select an additional location on an upper level acceptable to the department's representative.

11. Prepare three more two-minute smoke bombs.

12. Ignite all three smoke bombs. When they become fully activated, again manually activate the atrium smoke-management system.

13. Observe and record the results.

14. Acceptable performance shall be movement of the smoke from the source into the atrium and out through exhaust at the top of the atrium. Smoke migration down the corridors shall be limited to no more than a light haze at a point 25 ft from the source. Furthermore, the balconies around the perimeter of the atrium shall maintain a smoke-free zone.

15. Upon the successful completion of these tests, a signed and dated copy of the department's acceptance shall be filed with the test records and a copy shall be maintained with the quarterly test log.

16. A copy of this acceptance test procedure and all plans, specifications, and calculations for the building shall be maintained with the quarterly test log.

A-52.20 Chapter ILHR 16, Wisconsin State Electrical Code, Volume 2, requires the installation of standby emergency power for certain occupancies; the following is a reprint of s. ILHR 16.46 (1):

(1) WHERE REQUIRED. Standby emergency power of a type recognized by NEC 700-12 (a), (b), (c) or (f) shall be

provided as a source of supply for required exit lights, emergency lighting or power in occupancies where people are housed, assembled or confined with a capacity or area equal to or greater than those listed in Column B of Table 16.46.

**TABLE 16.46
OCCUPANCIES REQUIRING STANDBY EMERGENCY POWER**

Column A Occupancy	Column B Calculated Capacity or Area
1. Apartment buildings	50 bedrooms, including efficiency units
2. Arenas	800 square feet (Use seated space only)
3. Art galleries	20,000 square feet
4. Assembly halls such as church dining rooms and fellowship halls, dance halls, banquet halls, dining rooms, restaurants, taverns, night clubs, school and day care center multi-purpose rooms, and similar occupancies	2,000 square feet
5. Assembly halls with stage	1,400 square feet
6. Auditoriums	1,400 square feet
7. Banks	30,000 square feet
8. Bowling alleys	200 persons based on 5 persons per alley plus number of spectator seats and 10 square feet per person for bar and dining areas
9. Centers for developmentally disabled	20 inmate beds
10. Children's homes	20 beds
11. Community-based residential facilities	20 beds
12. Convents	200 beds
13. Dormitories, including those used in detention schools	200 beds
14. Exhibition buildings	12,000 square feet
15. Factories	30,000 square feet
16. Field houses	800 square feet (Use seated space only)
17. Gymnasiums	200 persons based on 6 square feet per person for seated space and 15 square feet per person for unseated space
18. Hospitals	20 patient beds
19. Hotels	200 rooms
20. Jails	20 inmate beds
21. Lecture halls	1,400 square feet
22. Libraries	200 persons based on 20 square feet per person for reading rooms and 100 square feet per person for balance
23. Lodge halls	200 persons based on 6 square feet per person for seated space and 15 square feet per person for unseated space
24. Motels	100 rooms
25. Museums	20,000 square feet
26. Nursing homes	20 patient beds
27. Office buildings	30,000 square feet
28. Rooming houses	200 rooms
29. Skating rinks	3,000 square feet
30. Stores	200 persons based on 30 square feet per person for first floor and 60 square feet per person for second floor and above
31. Swimming pools (indoor)	450 square feet
32. Theaters and theater lobbies	1,400 square feet (Theater and lobby must be combined in determining total area)
33. Warehouses	120,000 square feet

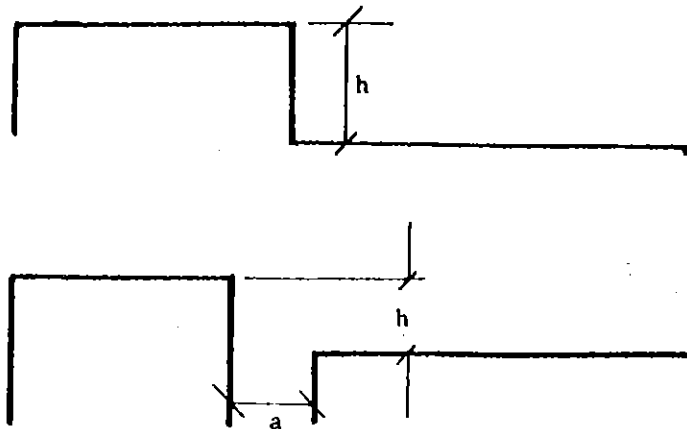
A-52.60 (1) **Water closets.** The following is a reprint of s. ILHR 84.20 (5) (m) 7. from the plumbing code:

7. A water closet may not be located closer than 15 inches from its center to any side wall, partition, vanity, or other obstruction, nor closer than 30 inches center to center, between water closets. There shall be at least 24

inches clearance in front of a water closet to any wall, fixture or door.

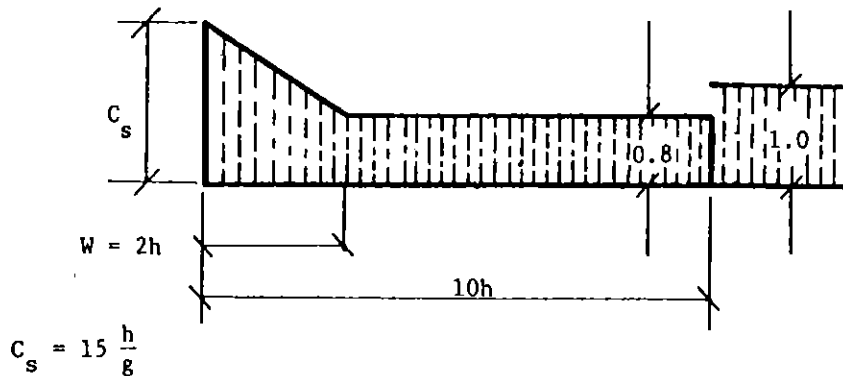
A-53.11 (4) (c) **Increase in roof loads.** The following design provisions may be used to determine the increase in roof loads as required by this section.

ROOF SHAPES



Lower level of multi-level roofs (when upper roof is part of the same building or on an adjacent building not more than 15 feet away).

SNOW LOAD DISTRIBUTIONS AND COEFFICIENTS, LIMITATIONS



$$C_s = 15 \frac{h}{g}$$

when $15 \frac{h}{g} < 1.0$ use $C_s = 1.0$

when $15 \frac{h}{g} > 3.0$ use $C_s = 3.0^*$

$$W = 2 h$$

when $h < 5$ ft use $W = 10$

when $h > 15$ ft use $W = 30$

[I]

- h = difference of roof heights in ft.
- g = roof live load in psf [ILHR 53.11 (4)]
- w = width of drift from higher building in ft.
- a = distance between buildings < 15 ft.

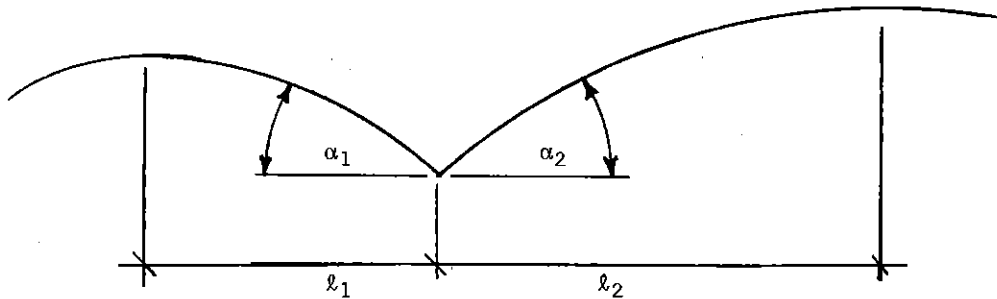
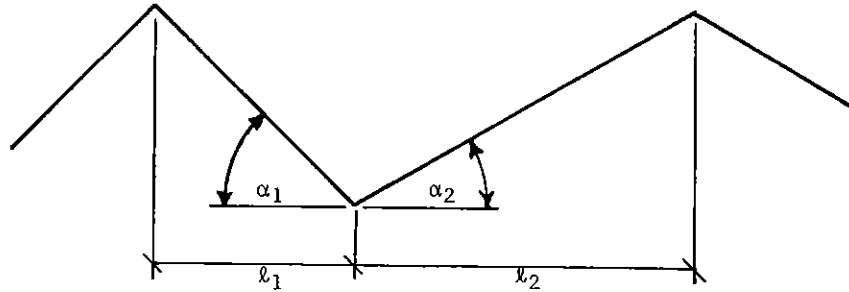
Design upper roof for loads applicable to single-level roofs.

*An upper limit of 3 times the basic roof load has been suggested. It should be noted, however, that higher loads have been observed where an upper roof was very long (measured perpendicularly to the step between the upper and lower roofs). On the other hand, for relatively short upper roofs (say less than 50 ft), a reduction below the calculated C_s value may be judged adequate by the designer.

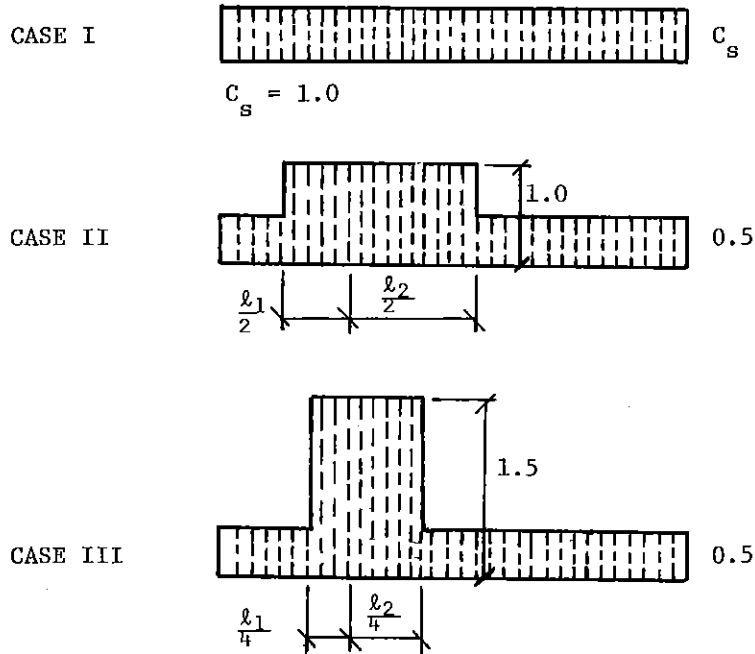
WISCONSIN ADMINISTRATIVE CODE

ROOF SHAPES

Valley areas of two-span and multi-span sloped or curved roofs

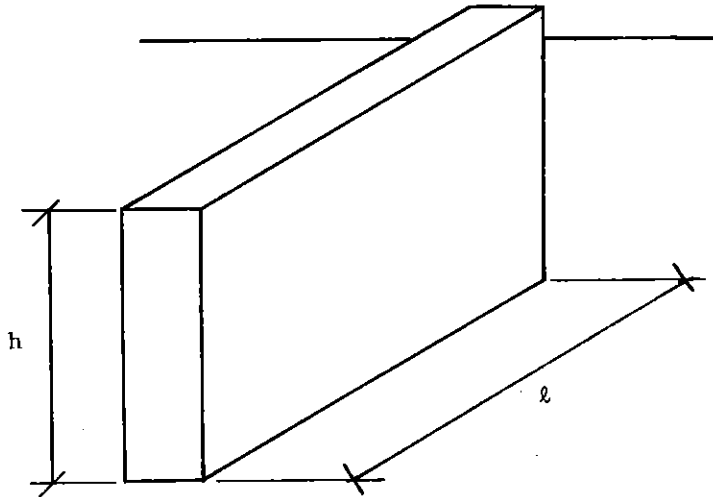


SNOW LOAD DISTRIBUTIONS AND COEFFICIENTS, LIMITATIONS



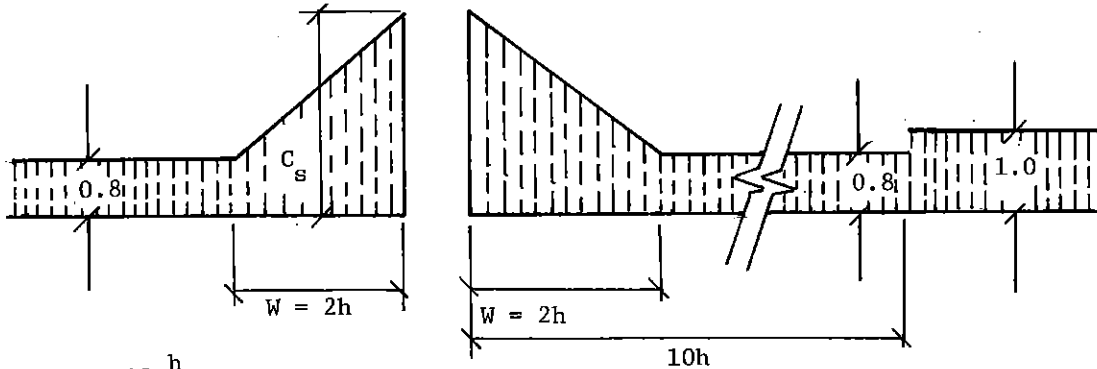
For both α_1 and $\alpha_2 \leq 10^\circ$ use Case I only; otherwise use Case I, II and III

ROOF SHAPES



Roof areas adjacent to projections and obstructions on roofs

SNOW LOAD DISTRIBUTIONS AND COEFFICIENTS, LIMITATIONS



$$C_s = 10 \frac{h}{g}$$

when $10 \frac{h}{g} < 1.0$ use $C_s = 1.0$

when $10 \frac{h}{g} > 2.0$ use $C_s = 2.0$

when $l < \frac{g}{6}$ use $C_s = 1.0$

$$W = 2 h$$

when $h < 5$ ft use $W = 10$
 when $h > 15$ ft use $W = 30$

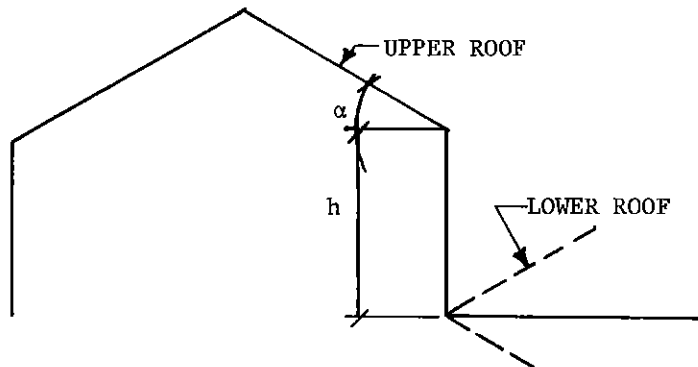
h = height of projection in ft.

g = roof live load in psf

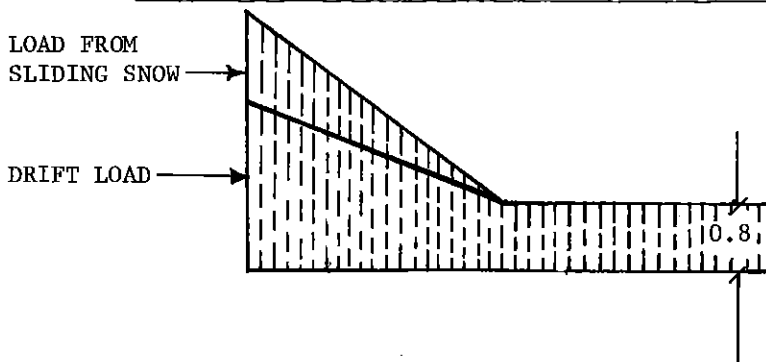
w = width of snow drift in ft.

l = length of projection in ft.

ROOF SHAPES



Lower of multi-level roofs with upper roof sloped towards lower roof, where α exceeds 10° .

SNOW LOAD DISTRIBUTIONS AND COEFFICIENTS, LIMITATIONS

Design lower roof for loads applicable to multi-level roof plus a portion of the sliding snow from the upper roof.*

Design upper roof for loads applicable to single-level roofs.

*Where snow is likely to slide onto a lower roof from an upper roof, the lower roof should be designed for the load as provided for multi-level roofs plus an additional load produced by the snow that may slide from the upper roof. It is not possible to provide coefficients for this situation, but the following guide is recommended. Because of the remote probability that both upper and lower roofs will have their full load over the full areas simultaneously when sliding occurs, it may be assumed that the lower roof would be carrying its full load and that sliding of 50% of the total weight of the applicable uniformly distributed snow load from the upper roof would occur.

A-53.11 (4) (d) ROOF DESIGNED FOR CONTROL FLOW DRAINAGE. This section refers to the requirements of the Plumbing Code (ch. ILHR 82) for storm drain sizes where control flow drainage roof design is used. The following information from the plumbing code is provided for use by the building designer:

Partial Reprint of s. ILHR 82.36 (4) and (5)

(4) LOAD ON DRAIN PIPING. (a) *Storm water drainage.* The load factor on storm water drain piping shall be computed in terms of gallons per minute or on the square footage of the horizontal projection of roofs, paved areas, yards and other tributary areas.

(b) *Continuous flow devices.* Where there is a continuous or semicontinuous discharge into the storm building drain or storm building sewer, as from a pump, air conditioning unit, or similar device, each gallon per minute of such discharge shall be computed as being equivalent to 26 square feet of roof area.

(5) SELECTING SIZE OF STORM AND CLEAR WATER DRAIN PIPING. (a) *Horizontal storm water drain piping.* The pipe size for horizontal drain piping for storm water shall be determined from Tables 82.36-1 to 82.36-4.

Table 82.36-1

MINIMUM SIZE OF STORM WATER HORIZONTAL DRAIN PIPING SERVING ROOF AREAS

Pipe Diameters (in inches)	Maximum Roof Areas (in square feet)			
	Pitch of Piping Per Foot			
	1/16 inch	¼ inch	½inch	½ inch
3	650	910	1,300	1,820
4	1,300	1,950	2,990	3,770
5	2,470	3,640	5,070	7,020
6	4,160	5,980	8,320	11,700
8	9,320	13,000	18,200	26,000
10	17,680	24,700	33,800	50,440
12	27,300	41,080	57,200	81,900
15	52,000	72,800	105,300	146,640
18	85,800	121,550	174,200	247,000
21	156,520	179,660	256,880	374,400
24	187,200	261,560	382,200	546,000

Note: Divide square footage by 26 to obtain flow in gpm.

Table 82.36-4

MAXIMUM CAPACITY OF STORM WATER HORIZONTAL DRAIN PIPING FLOWING FULL

Pipe Diameters (in inches)	Maximum Capacities in Gallons Per Minute			
	Pitch of Piping Per Foot			
	1/16 inch	¼ inch	½inch	½ inch
3	25	35	50	70
4	50	75	115	145
5	97	140	195	270
6	160	230	320	450
8	355	500	700	1,000
10	680	950	1,300	1,940
12	1,050	1,580	2,200	3,150
15	2,000	2,800	4,050	5,640
18	3,300	4,675	6,700	9,500
21	6,020	6,910	9,880	14,400
24	7,200	10,060	14,700	21,000

(b) *Vertical conductors for storm water.* 1. A vertical conductor for storm water shall not be smaller than the largest horizontal branch connected thereto.

2. Vertical conductors shall be sized in accordance with Table 82.36-5 or the diameter D, where

$$D = 1.128 \sqrt{\frac{A}{X}}$$

Where, A = the area of the roof in square feet

X = 300 square feet per square inch for a roof covered with gravel or slag and with a pitch not exceeding ¼ inch per foot; or

= 250 square feet per square inch for a roof covered with gravel or slag and with a pitch of greater than ¼ inch per foot; or

= 200 square feet per square inch for a roof with a metal, tile, brick or slate covering and of any pitch.

Table 82.36-5

MINIMUM DIAMETER OF VERTICAL CONDUCTORS

Type of Roof	Maximum Roof Areas (in square feet)					
	Pipe Diameters (in inches)					
	2½	3	4	5	6	8
Roofs covered with gravel, slag, or similar material and with a pitch of ¼" per foot or less.	1,645	2,120	3,780	5,885	8,490	15,125
Roofs covered with gravel, slag or similar material and with a pitch greater than ¼" per foot.	1,220	1,770	3,150	4,905	7,075	12,600
Roofs covered with metal, tile, brick, slate or similar material and of any pitch.	975	1,415	2,520	3,925	5,660	10,080

Note: Divide square footage by 26 to obtain flow in gpm.

A-53.15 LOAD COMBINATIONS. It is the intent of this section that the loads specified in ss. ILHR 53.10 through 53.14 be considered to act in the following combinations, whichever is critical, for the design of the building frame, foundation or structural member:

1. Dead load plus live load.
2. Dead load plus wind load.
3. Dead load plus live load plus wind load.
4. Dead load plus live load plus crane loads.

Distribution of live loads which would cause the maximum shear, bending moment or stress in structural members should be investigated.

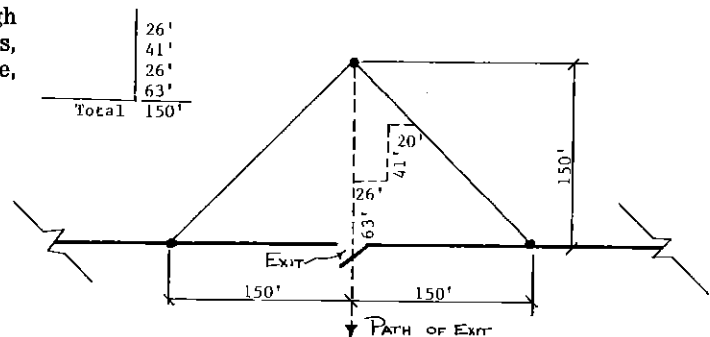
A-54.02 (4) EXIT DISTANCE. The following illustrations and text are provided to explain the procedure and intent of using the triangulation method of exit distance determination.

Exit travel must terminate at one of the following types of exits:

1. Standard exit to grade (ILHR 51.15)
2. Enclosed stairways (ILHR 51.17 and 51.18)
3. Horizontal exits (ILHR 51.19)
4. Fire escapes (ILHR 51.20)

Therefore, exit distance must be measured from one of these exit types. All exits must lead to a street, alley or open court which is connected to a street or alley.

Register, January, 1994, No. 457



Procedure:

1. Beginning at designated exit type, measure required exit distance (150 feet, for example) at right angles to and parallel with (on both sides) the exit.
2. Connect end points to form the "exit triangle".
3. All areas within the triangle are within the required exit distance when traveling toward or at right angles to the exit.
4. All the interior space of a building must fall within the "exit triangles" formed by using the required exits for the building.
5. When measuring exit distance in stairways, only the horizontal travel distance is included in the determination.

A-54.02 (4) (c) The use of the term "high hazard" as referred to in this section is intended to apply to the following list of operations and occupancies:

1. Aircraft hangars.
2. Dry cleaning establishments: using gasoline or other volatile flammable liquids.
3. Enameling or japanning.

4. Mills: sugar, starch cereal, feed, flour and grist mills.
5. Paint and varnish: manufacturing, storing, handling, spraying, and other related operations.
6. Proxylin products: manufacture and storage.
7. Repair garages.
8. Smoke houses.
9. Storage of: explosive gases under pressure (15 psi and over 2500 cubic feet) such as acetylene, hydrogen, natural gas, etc.
10. Storage of: materials with a flash point under 200° F. such as celluloid products, kerosene, oils, etc.
11. Woodworking establishments.

A-57.02 (2) (b) VERTICAL DIVISION WALLS. See drawings and illustrations in s. A 51.03 (5) (a) for typical floor/ceiling-wall connection details for vertical division walls. Disregard masonry components shown in drawings when masonry is not used in the construction of the vertical division wall.

A-57.07 (3) CHANGES OF ELEVATION WITHIN INDIVIDUAL LIVING UNITS. Section ILHR 57.07 (3) permits the steps, stairs and ramps within individual living units to conform with s. ILHR 21.04 of the Uniform Dwelling Code. The following is a reprint of the applicable portions of that section:

ILHR 21.04 Stairs. Every exterior or interior stairs, except those leading to attics or crawl space or similar non-habitable spaces, shall conform to the requirements of this section.

(1) **LANDINGS.** (a) *Intermediate landings.* Intermediate landings located in a flight of stairs shall be at least as wide as the stairs and shall measure at least 3 feet in the direction of travel. Trim and handrails may project no more than 3½ inches into the required width.

(b) *Landings at the top and base of stairs.* A level landing shall be provided at the top and at the foot of every stairs. The landing shall be at least as wide as the stairs and shall measure at least 3 feet in the direction of travel.

(c) *Doors at landings.* Except as provided in subds. 1 to 4, level landings shall be provided on each side of any door located at the foot or head of a stairway, regardless of the door swing. In the application of the exceptions given in subds. 1 to 4, stairways to attached garages or porches are considered to be interior stairways.

1. Exception. A landing shall not be required between the door and the head of interior stairs, provided the door does not swing over the stairs.

2. Exception. A landing shall not be required between the door and the head of an interior stairway of 2 or fewer risers, regardless of doorswing.

3. Exception. A landing shall not be required between a sliding glass door and the head of an exterior stairway of 3 or fewer risers.

4. Exception. The exterior landing, platform or sidewalk at an exterior doorway shall be located not more than 8 inches below the interior floor elevation. The landing plat-

form shall have a length at least equal to the width of the door.

(2) **HANDRAILS AND GUARDRAILS.** (a) *Handrails.* Every stairs of more than 3 risers shall be provided with at least one handrail. Handrails shall be provided on all open sides of stairways.

(b) *Guardrails.* All openings between floors, open sides of landings, platforms, balconies or porches which are more than 24 inches above grade or a floor, shall be protected with guardrails.

(c) *Handrail and guardrail details.* 1. Height. Handrails shall be located at least 30 inches, but not more than 34 inches, above the nosing of the treads. Guardrails shall be located at least 36 inches above the upper surface of the floor.

2. Open railings. Open guardrails or handrails shall be provided with intermediate rails or an ornamental pattern to prevent the passage of a sphere with a diameter larger than 9 inches.

3. Clearance. The clearance between the handrail and the wall surface shall be at least 1½ inches.

4. Loading. Handrails and guardrails shall be designed and constructed to withstand a 200 pound load applied in any direction.

5. Exterior rails. Exterior handrails and guardrails shall be constructed of metal, decay resistant or pressure treated wood or shall be protected from the weather.

(3) **STAIR DETAILS.** Stairs shall meet the following requirements:

(a) *Minimum width.* Every stairs shall measure at least 3 feet in width.

(b) *Headroom.* Every stairs shall be provided with a minimum headroom clearance of 6 feet 4 inches. The minimum clearance shall be measured vertically from a line parallel to the nosing of the treads to the ceiling or soffit directly above that line.

(c) *Treads and risers.* Risers shall not exceed 8 inches in height, measured vertically from tread to tread. Treads shall be at least 9 inches wide, measured horizontally from nosing to nosing. There shall be no variation in uniformity exceeding 3/16 inch in the width of tread or in the height of risers. No flight of stairs shall exceed 12 feet in height unless landings are provided.

(d) *Winders.* Winder steps may be used in stairs where the length of the tread is at least 3 feet and the winder tread measures at least 7 inches in width from nosing to nosing at a point one foot from the narrow end of the tread.

(e) *Spiral stairs.* Spiral stairs may be used as an exit stairs. The tread shall measure at least 26 inches from the outer edge of the supporting column to the inner edge of the handrail and at least 7 inches in width from nosing to nosing at a point one foot from the narrow end of the tread.

A-57.11 The intent of this section is to apply to floor levels not more than one story below grade (at building).

ILHR 50-64 Appendix A

A-57.11 (1) (f) It is the intent of this subsection that each living unit needs only one means of exit from within the unit and that the entire building be provided with no less than 2 exits.

A-59.14 (2) (c) EXIT DISTANCE. See the information and illustration contained in A-54.02 (4).

A-60.19 (4) The standard is available from the National Fire Protection Association, Batterymarch Park, Quincy, Massachusetts 02269.

A-60.35 Class A fires are fires in ordinary combustible materials such as wood, cloth, paper, rubber, and many

plastics. Class B fires are fires in flammable liquids, gases and greases.

A-60.36 (1) (a) See A-60.19 (4).

A-62.25 (1) CLEARANCE LIMITATIONS. The intent is to require the minimum 7 feet 0 inches clearance only in traffic lanes and in all areas normally used by the public to leave from and return to their vehicles.

A-62.50 FIRE EXTINGUISHERS. See A-51.22 for related information.

A-64.20. EQUIPMENT RATINGS AND SAFETY CONTROLS. Standards for the testing and installation of heating and ventilating equipment:
The department recognizes the following reference stan-

- (1) American National Standards Institute, Inc., 1430 Broadway, New York, N.Y. 10018:
 - (a) GAS-FIRED ROOM HEATERS, Vol. 1, ANSI Z21.11.1;
 - (b) GAS-FIRED LOW PRESSURE STEAM AND HOT WATER BOILERS, ANSI Z21.13;
 - (c) GAS UNIT HEATERS, ANSI Z21.16;
 - (d) DOMESTIC GAS CONVERSION BURNERS, ANSI Z21.17;
 - (e) GAS APPLIANCE PRESSURE REGULATORS, ANSI Z21.18;
 - (f) AUTOMATIC GAS IGNITION SYSTEMS AND COMPONENTS, ANSI Z21.20;
 - (g) AUTOMATIC GAS VALVES, ANSI Z21.21;
 - (h) RELIEF VALVES AND AUTOMATIC GAS SHUTOFF DEVICES FOR HOT WATER SYSTEMS, ANSI Z21.22;
 - (i) GAS APPLIANCE THERMOSTATS, ANSI Z21.23;
 - (j) GAS-FIRED DUCT FURNACES, ANSI Z21.34;
 - (k) GAS FILTERS ON APPLIANCES, ANSI Z21.35;
 - (l) GAS-FIRED GRAVITY AND FAN TYPE DIRECT VENT WALL FURNACES, ANSI Z21.44;
 - (m) GAS-FIRED GRAVITY AND FORCED AIR CENTRAL FURNACES, ANSI Z21.47;
 - (n) GAS-FIRED GRAVITY AND FAN TYPE FLOOR FURNACES, ANSI Z21.48;
 - (o) GAS-FIRED GRAVITY AND FAN TYPE VENTED WALL FURNACES, ANSI Z21.49;
 - (p) VENTED DECORATIVE GAS APPLIANCES, ANSI Z21.50;
 - (q) GAS-FIRED SINGLE FIREBOX BOILERS, ANSI Z21.52;
 - (r) GAS-FIRED HIGH PRESSURE STEAM AND HOT WATER BOILERS (Inputs not over 400,000 Btu/hour), ANSI Z21.59;
 - (s) DECORATIVE GAS APPLIANCES FOR INSTALLATION IN VENTED FIREPLACES, ANSI Z21.60;
 - (t) DIRECT GAS-FIRED MAKE-UP AIR HEATERS, ANSI Z83.4;
 - (u) GAS-FIRED HEAVY DUTY FORCED AIR HEATERS, ANSI Z83.5; and
 - (v) GAS-FIRED INFRARED HEATERS, ANSI Z83.6.
- (2) Canadian Standards Association, Certification Division, Rexdale, Ontario Canada, M9W 1R3;
 - (a) Solid-Fuel Fired Appliances for Residential Use, CSAB 366M.
- (3) Energy Testing Laboratory of Maine, South Maine Vocational Technical Institute, South Portland, Maine 04106.
 - (a) Testing for Safety — Requirements and Test Procedures for Solid-Fuel Burning Central Heating Appliances and Combination Oil- and Solid-Fuel Burning Central Heating Appliances, ETLM Standard #78-1.
- (4) International Conference of Building Officials, Inc., 5360 South Workman Mill Road, Whittier, California 90601:
 - (a) Research Committee Acceptance Criteria for Fireplace Heat Exchangers.
- (5) Underwriters' Laboratories, Inc., 333 Pfingsten Road, Northbrook, Illinois 60062:
 - (a) CHIMNEYS, FACTORY-BUILT, RESIDENTIAL TYPE AND BUILDING HEATING APPLIANCES, UL 103;
 - (b) FACTORY BUILT FIREPLACES, UL 127;
 - (c) OIL BURNERS, UL 296;
 - (d) CONTROLS, PRIMARY SAFETY FOR GAS- AND OIL-FIRED APPLIANCES, UL 372;
 - (e) SOLID-FUEL FIRED CENTRAL FURNACES, UL 391;
 - (f) GAS VENTS, UL 441;
 - (g) HEATING APPLIANCES, ELECTRIC, UL 499;
 - (h) HEAT PUMPS, UL 559;
 - (i) TYPE L LOW-TEMPERATURE VENTING SYSTEMS, UL 641;
 - (j) OIL-FIRED BOILER ASSEMBLIES, UL 726;
 - (k) OIL-FIRED CENTRAL FURNACES, UL 727;
 - (l) OIL-FIRED FLOOR FURNACES, UL 729;
 - (m) OIL-FIRED WALL FURNACES, UL 730;
 - (n) OIL-FIRED UNIT HEATERS, UL 731;
 - (o) HEATERS, AIR AND DIRECT-FIRED HEATERS, OIL-FIRED, UL 733;
 - (p) FIREPLACE STOVES, UL 737;
 - (q) COMMERCIAL-INDUSTRIAL GAS HEATING EQUIPMENT (Inputs over 400,000 Btu/hour), UL 795;
 - (r) HEATERS, ELECTRIC, FOR USE IN HAZARDOUS LOCATIONS; Class I, Groups A, B, C and D, and Class II, Groups E, F and G, UL 823;
 - (s) ELECTRIC BOILERS, UL 834;
 - (t) HEATERS, ELECTRIC DRY BATH, UL 875;
 - (u) FAN COIL UNITS AND ROOM FAN HEATER UNITS, UL 883;

ILHR 50-64 Appendix A

- (v) OIL-BURNING STOVES, UL 896;
- (w) HEATERS, ELECTRIC AIR, UL 1025;
- (x) HEATING EQUIPMENT, ELECTRIC BASEBOARD, UL 1042;
- (y) HEATING EQUIPMENT, ELECTRIC CENTRAL AIR, UL 1096; and
- (z) ROOM HEATERS, SOLID-FUEL TYPE, UL 1482.

Note: The table on the following page is a tabular summary of UL 296 and UL 795.

TABULAR SUMMARY UL STANDARD 296 AND UL STANDARD 795

FUNCTION/BURNER INPUTS	OIL BURNERS UL 296				COMMERCIAL/INDUSTRIAL GAS UL 795				ATM Draft
	3 GPH	7 GPH	20 GPH	Over 20 GPH	Mechanical Draft Burners			Over	
	400,000 Btu or less	1 million Btu or less	3 million Btu or less		Over 400,000 to 2,500,000	Over 2,500,000 to 5,000,000	Over 5,000,000 to 12,500,000		
Prepurge timing	--	--	--	--	4	4	4	4	90 sec ³
Air changes	--	--	--	--	4	4	4	4	--
Interlock Controls (Recycle)	Yes ⁸	Yes ⁸	Yes ⁸	Yes ⁸	Yes	Yes	Yes	Yes	Yes
Proven combustion air	--	--	--	--	Yes	Yes	Yes	Yes	--
Valve seal overtravel ⁹	--	--	--	--	--	Optional	Yes	Yes	13
Low gas pressure	--	--	--	--	--	Yes ²⁰	Yes ²⁰	Yes ²⁰	13
High gas pressure	--	--	--	--	--	Yes ²⁰	Yes ²⁰	Yes ²⁰	13
Low fire start	11	11	11	11	11	11	11	11	13
High limit (press. or temp.)	Yes	Yes	Yes	Yes	Yes	Yes	Yes	Yes	Yes
Low water cutoff	Boilers ²¹	Boilers ²¹	Boilers ²¹	Boilers ²¹	Boilers	Boilers	Boilers	Boilers	13
Pilot - Intermittent	Optional ¹⁹	Optional ¹⁹	Optional ¹⁹	--	Optional	Optional	Optional	Optional	12
Pilot - Interrupted	19	19	19	Yes ⁵	Optional	Optional ²	Optional ²	Optional ²	2, 10
Direct spark ignition	Yes	Yes	Yes	5	--	--	--	--	--
System & sequence approved safety control	Yes	Yes	Yes	Yes	Yes	Yes	Yes	Yes	Yes
Approved safety shutoff valves (SSOV)	IN	BURNER	DESIGN	--	Yes ¹⁴	Yes ¹⁴	Yes ¹⁴	Yes ¹⁴	Yes ^{13, 14}
No vent valve	--	--	--	--	--	--	--	Yes	13
Pilot valve	18	18	18	Yes	Yes ⁵	Yes	Yes	Yes	Yes
Proved pilot	Optional	Optional	Optional	Yes	Yes	Yes	Yes	Yes	Yes
Trial for pilot	17	17	17	15 sec	15 sec	10 sec	10 sec	10 sec	13
Trial for main flame	90 sec ^{2,17}	30 sec ^{2, 17}	15 sec ^{2, 17}	10/30 sec ⁷	15 sec ²²	10 sec	10 sec	10 sec	13
Flame failure response time	90 sec ¹⁷	4 sec max ^{16,17}	4 sec max ^{15,17}	4 sec max	4 sec max	4 sec max	4 sec max	2 sec max	13
Valve closing time (max.)	23	23	23	23	5 sec max	1 sec max	1 sec max	1 sec max	13
Supervise main flame	17	17	17	Yes	--	Yes ²	Yes ²	Yes ²	2, 10
Action on flame failure	Recycle optional ¹	1	1	Lockout or recycle	Lockout or recycle ⁶	Lockout	Lockout	Lockout	13
Action on limit open	Close SSOV	Close SSOV	Close SSOV	Close SSOV	Close SSOV	Close SSOV	Close SSOV	Close SSOV	13

See following page for footnotes.

INDUSTRY, LABOR & HUMAN RELATIONS

IHR 50-64 Appendix A

FOOTNOTES TO TABULAR SUMMARY UL
STANDARD 296 AND UL STANDARD 795:

SSOV = Safety shutoff valve.

- ¹May relight if ignition is re-energized within 0.8 sec. See 15 and 16.
- ²Where intermittent pilot is desired, it is allowable to switch from pilot detector to main flame detector if main flame detector responds to main flame only.
- ³Without shutters, no prepurge required.
- ⁴Options (whichever is chosen, a minimum of 4 air changes must be provided):
 - 30 sec at high fire rate; OR
 - 60 sec at $\frac{1}{2}$ high fire rate; OR
 - 90 sec at $\frac{1}{3}$ high fire rate.
- ⁵With 2-stage lightoff, direct ignition is permitted if first stage is 20 gph or less (requirements for 20 gph or less apply). Pilot is required if igniting more than 20 gph.
- ⁶Lockout on interrupted pilot applications; recycle on intermittent pilot applications.
- ⁷10 sec for distillate fuel (No. 1 or No. 2); 30 sec for residual fuel (No. 4, 5, 6).
- ⁸Conventional type pressure burner — none needed. Needed for applications with combustion air supply separate from oil supply.
- ⁹Valve seal overtravel switch can be wired into either the start circuit or pre-ignition interlock circuit (if provided).
- ¹⁰Interrupted pilot over 2.5 million Btuh if modulating or high/low firing rate. Otherwise over 5 million Btuh.
- ¹¹If low fire start is not proved, UL will test for smooth lightoff at high fire.
- ¹²Intermittent up to 5 million Btuh unless firing rate control is over 2,500,000 Btuh.
- ¹³Requirements same as mechanical draft burners.
- ¹⁴See Table 1 at end of footnotes for main gas valves.
- ¹⁵Up to 15 sec is permitted if intermittent ignition is employed, or if the ignition system is re-energized in not more than 0.8 sec after flame is extinguished.
- ¹⁶Up to 30 sec is permitted if intermittent ignition is employed, or if the ignition system is re-energized in not more than 0.8 sec after flame is extinguished.
- ¹⁷If proved pilot igniter is used, timings for over 20 gal flame safeguard control may be applied.
- ¹⁸Required for electrically ignited, gas-piloted systems.
- ¹⁹Interrupted pilot may be required if using flame safeguard control with a proved pilot. Otherwise, interrupted pilot is optional.
- ²⁰Safety shutdown by this limit can be accomplished either by manual reset limits or in the programmer limit circuit.
- ²¹Required on boilers fired by oil burners — not a requirement of UL 296.
- ²²If intermittent pilot is used, no main burner flame-establishing period is required.
- ²³If a separate oil valve is used, it must close within 5 sec max when de-energized.

TABLE 1 — AUTOMATIC MAIN GAS SAFETY SHUTOFF VALVES (SSOV) FOR MECHANICAL OR ATMOSPHERIC BURNERS — UL 795 REQUIREMENTS, EFFECTIVE OCTOBER 1, 1974

	400,000 to 2,500,000 BTUH	Over 2,500,000 to 5,000,000 BTUH	Over 5,000,000 to 12,500,000 BTUH	Over 12,500,000 BTUH
Main Valve Requirement	One valve rated for safety shutoff services (SSOV). Closing time 5 sec.	Two SSOV's in series, or one SSOV of the type incorporating a valve seal overtravel interlock. Closing time 1 sec max.	Two SSOV's in series, one of which incorporates a valve seal overtravel interlock. Closing time 1 sec max.	Two SSOV's in series, one of which incorporates a valve seal overtravel interlock. When fuel gas has specific gravity of less than 1.0, include a N.O. 3/4 inch or larger electrically operated valve in a vent line between the two SSOV's.

APPENDIX B

The material contained in this appendix is for clarification purposes only. The information is for the benefit of fire department inspectors making inspections pursuant to s. 101.14 (2) (b), Stats. (See s. ILHR 50.02 Special Note #2)

Rule Number	Topic of Rule	Subject of Investigation
Ch. ILHR 50 — Administration and Enforcement		
50.25	Petition for Variance	1. Fire Department Position Statement (form SB-8A)
Ch. ILHR 51 — Definitions and Standards		
51.047	Fire Rated Door Assemblies in Fire Rated Construction	1. Maintenance 2. Operation 3. Unobstructed
51.047 (6)	Door Closing Devices (Fire Doors)	1. Maintenance 2. Use of Fusible Link
51.06 (3)	Foam Plastics (Thermal Barrier)	1. Proper Type and Correct Installation 2. Maintenance
51.15 (2)	Exit Doors	1. Maintenance 2. Unobstructed
51.15 (3)	Exit Hardware	1. Proper Type 2. Signage 3. Security Locks and Key Locks Open During Occupied Periods
51.15 (4)	Exit Doorway	1. Proper Size and Type 2. Maintenance
51.161	Handrails	1. Maintenance 2. Replacement, when Needed
51.162	Guardrails	1. Maintenance 2. Replacement, when Needed
51.165	Stairway Identification	1. Proper Posting 2. Proper Signage on Buildings Constructed After January 1, 1982
51.166	Stairway Discharge	1. Proper Type 2. Maintenance
51.167	Exiting Through Areas of Hazard	1. Proper Type
51.20	Fire Escapes	1. Maintenance
51.21	Standpipe & Hose Systems	1. Correct Installation 2. Maintenance
51.22	Fire Extinguishers	1. Proper Type 2. Location 3. Maintenance 4. Operational
51.23	Automatic Sprinklers	1. Water Supply 2. Obstruction of Sprinkler Heads 3. Location of Fire Department Connection 4. Accessibility of Fire Department Connection
51.24 (5)	Fire Alarm Systems	1. Operation & Testing 2. Location of Pull Stations

Rule Number	Topic of Rule	Subject of Investigation
51.245	Smoke Detectors	1. Correct Installation 2. Maintenance of Detectors 3. Operational
Ch. ILHR 52 — General Requirements		
52.01	Fire Prevention, Detection and Suppression (High Rise Construction)	1. Proper Installation 2. Maintenance 3. Operation and Testing
52.011	Automatic Fire Sprinkler Systems for Low Rise Buildings	1. Proper Installation 2. Maintenance 3. Operation and Testing
52.02 (2)	Fire Department Access Openings	1. Proper Type, Size and Location 2. Maintenance
52.07	Atriums	1. Proper Type 2. Smoke Control System 3. Maintenance 4. Test Reports
52.19	Gas and Oil Lamps	1. Proper Type and Clearance 2. Maintenance
52.20	Electrical Work	1. Electrical Check List
52.21	Location and Maintenance of Exits	1. Maintenance
52.22	Repairs	1. Conformance
52.23	Cleanliness	1. Conformance
Ch. ILHR 53 — Structural Requirements		
53.63 (1) (a)-(c)	Firestops	1. Maintenance
Ch. ILHR 54 — Factory, Office, Mercantile		
54.01(3)	Fire Door Closing Devices	1. Maintenance 2. Operational
54.02	Number and Location of Exits	1. Maintenance 2. Proper Exit Hardware
54.06	Exit Doors, Exit Lights	1. Maintenance of Illumination
54.07	Passageways	1. Maintain in Clear, Unobstructed Condition
54.08	Stairway Enclosure	1. Maintenance
54.11	Lighting	1. Maintenance of Illumination
54.14	Isolation of Hazards	1. Maintenance
54.145	Fire Extinguishers	1. For Buildings Constructed After January 1, 1982: A. Proper Type B. Location C. Maintenance D. Operational
54.15	Standpipes	1. Maintenance
54.17	Fire Alarm	1. Maintenance 2. Location of Pull Stations
54.20	No Smoking Signs	1. Proper Posting
Ch. ILHR 55 — Theaters and Assembly Halls		
55.07	Number and Location of Exits	1. Maintenance of Illumination

Rule Number	Topic of Rule	Subject of Investigation
55.08	Type of Exits	1. Maintenance 2. To be Clear and Unobstructed
55.09	Stairways	1. Maintenance 2. To be Clear and Unobstructed
55.10	Exit Doorways and Doors	1. See 51.15
55.11	Exit Lights	1. Maintenance of Illumination
55.12	Required Exit Width	1. To be Unobstructed
55.14	Width of Aisles	1. To be Unobstructed
55.15	Lobbies and Foyers	1. To be Clear and Unobstructed
55.17	Obstructions	1. Maintenance
55.22 (3)	Proscenium Wall (Openings)	1. Proper Type 2. Maintenance
55.24	Automatic Smoke Outlets	1. Operation
55.29	Isolation of Hazards	1. Maintenance of Enclosures
55.33	Standpipes	1. Correct Installation 2. Maintenance
55.33 (3)	Fire Extinguishers	1. For Buildings Constructed After January 1, 1982: A. Proper Type B. Location C. Maintenance D. Operational
55.43	Openings	1. Operational 2. Maintenance
55.45	Relief Outlets	1. Maintenance
55.46	Electric Wiring	1. Electrical Check List
55.50	Maintenance	1. Elimination of Fire Hazard
Ch. ILHR 56 — Schools and Places of Instruction		
56.03	Smoke Detection	1. For Existing Buildings with Basements not Protected by Automatic Sprinklers or Smoke Detectors as of January 1, 1982, Automatic Smoke Detector System in Basement Corridors by January 1, 1983. A. Correct Installation B. Maintenance of Detectors
56.06	Exit	1. Maintenance
56.06 (6)	Exit Lights	1. Maintenance of Illumination
56.07	Required Exit Width	1. To be Unobstructed
56.09	Passageways	1. To be Unobstructed 2. Maintenance of Exit Doors
56.15	Isolation of Hazards	1. Maintenance of Enclosure
56.18	Fire Extinguishers	1. Proper Type 2. Location 3. Maintenance 4. Operational
56.19	Fire Alarms	1. Operation of System 2. Location of Pull Stations
56.20	Standpipes	1. Correct Installation 2. Maintenance

Rule Number	Topic of Rule	Subject of Investigation
56.34	Exit Doors and Lights	1. Maintenance of Doors 2. To be Clear and Unobstructed
56.38	Fire Alarms	1. Operational 2. Testing 3. Location of Pull Stations
56.43	Exit Doors and Exit Lights	1. Maintenance of Doors 2. To Be Clear and Unobstructed
56.46	Fire Alarms	1. Operational 2. Testing 3. Location of Pull Stations
Ch. ILHR 57 — Residential Occupancies		
57.01 (3)	Basement and Ground Floor Protection	1. Proper Installation 2. Maintenance
57.02	Allowable Height and Area (Corridor Door Hold-Open Device, Access Roadways)	1. Maintenance 2. Operational 3. Clear and Unobstructed
57.03	Number and Location of Exits	1. Maintenance 2. Proper Exit Hardware
57.05	Type of Exits	1. Maintenance 2. To be Clear and Unobstructed 3. Proper Illumination
57.08	Enclosure of Interior Stairways and Shafts	1. Maintenance of Enclosure
57.09	Passageways	1. To Be Clear and Unobstructed 2. Maintenance of Exit Doors
57.10	Illumination of Exits and Exit Signs	1. Maintenance of Illumination and Signs
57.14	Isolation of Hazards	1. Maintenance of Enclosure
57.15	Standpipes	1. Correction Installation 2. Maintenance
57.16	Smoke Detectors - All Buildings Except CBRF	1. For Existing Buildings Constructed Before May 23, 1978, Specified Smoke Detectors by January 1, 1983. A. Correct Installation B. Maintenance of Detectors 2. For Buildings Constructed After January 1, 1983: A. Correction Installation B. Maintenance of Detectors C. Interconnection of Corridor/Stairway Detectors to Required Manual Fire Alarm System D. Corridor/Stairway Smoke Detectors Provided with Emergency Power, if Required for the Building
57.165	Smoke Detectors — CBRF	1. Correct Installation 2. Maintenance of Detectors 3. Interconnection of Stairway, Complete Corridor and Common Use Room Detectors 4. Interconnection of Sleeping Room Detectors if Smoking is Permitted
57.17	Fire Alarms	1. Operation of Systems 2. Location of Pull Stations

WISCONSIN ADMINISTRATIVE CODE

Rule Number	Topic of Rule	Subject of Investigation
57.18	Fire Extinguishers	1. For Buildings Constructed After January 1, 1982: A. Proper Type B. Location C. Maintenance D. Operational
57.19	Rowhouse (Living Unit Separation)	1. Proper Installation 2. Maintenance
Ch. ILHR 58 — Health Care Facilities		
58.04-58.05	Number, Type and Location of Exits	1. Maintenance 2. Proper Exit Hardware
58.06	Stairs	1. Maintenance 2. To Be Clear and Unobstructed 3. Proper Illumination.
58.18	Marking of Means of Egress	1. Correct Signage 2. Proper Illumination
58.20	Key Locking Hardware	1. Correct Hardware Type and Installation 2. Building Satisfies Rules for Detention and Correctional Facilities 3. Maintenance
58.21-58.23	Protection of Openings	1. Maintenance
58.24	Isolation of Hazards	1. Maintenance of Enclosure and Required Automatic Sprinkler System
58.25	Rubbish Chutes and Laundry Chutes	1. Protection of Enclosure 2. Sprinkler System Maintenance
58.27	Detection, Alarm and Communication Systems	1. Operational 2. Testing 3. Location of Pull Stations 4. Correct Installation 5. Maintenance
58.28	Standpipes	1. Correct Installation 2. Maintenance
58.29	Automatic Sprinkler and Other Suppression Systems	1. Water Supply 2. Obstruction of Sprinkler Heads 3. Location and Accessibility of Fire Department Connection
58.30-58.31	Smoke Barriers, Corridor Walls	1. Correct Installation 2. Maintenance
Ch. ILHR 58 — Places of Detention		
58.48-58.49	Number, Type and Location of Exits	1. Maintenance 2. Proper Exit Hardware
58.50-58.51	Stairways and Smoke-proof Towers	1. Maintenance 2. To Be Clear and Unobstructed 3. Proper Illumination
58.575	Emergency Lighting	1. Proper Type 2. Maintenance
58.58	Marking of Means of Egress	1. Correct Signage 2. Proper Illumination
58.59	Door Locks	1. Correct Type and Installation 2. Maintenance
58.60-58.61	Protection of Openings	1. Maintenance
58.62	Isolation of Hazards	1. Maintenance of Enclosure

Rule Number	Topic of Rule	Subject of Investigation
58.63	Standpipes	1. Correct Installation 2. Maintenance
58.635	Fire Extinguishers	1. Proper Type 2. Location 3. Maintenance 4. Operational
58.64	Fire Alarms	1. Operation of System 2. Location of Pull Stations
58.65	Automatic Smoke Detection Systems	1. Correct Installation 2. Maintenance of Detectors
58.67	Smoke Barrier	1. Correct Installation 2. Maintenance
Ch. ILHR 59 — Hazardous Occupancies		
59.13	Type of Exits	1. Maintenance 2. Proper Exit Hardware
59.14	Number and Type of Exits	1. Maintenance 2. To Be Clear and Unobstructed
59.17	Enclosure of Stairways and Shafts	1. Maintenance of Enclosures
59.19	Illumination Levels	1. Proper Illumination
59.21	Isolation of Hazards	1. Maintenance of Enclosures
59.23	Fire Protection	1. Operation of System 2. Proper Type of Extinguisher 3. Location of Extinguisher 4. Extinguisher Operational 5. Water Supply 6. Obstruction of Sprinkler Heads 7. Location and Accessibility of Fire Department Connection 8. Maintenance of Systems
59.24	Fire Alarms	1. Operation and Testing 2. Location of Pull Stations
Ch. ILHR 60 — Child Day Care Facilities		
60.12	Doors	1. Joint Inspection Made
60.16	Electrical Work	1. Electrical Check List
60.19	Operating Features	1. Owner Responsibility
60.31	Exiting	1. Joint Inspection Made
60.32	Required Exit Width	1. Width to be Unobstructed
60.33	Passageways	1. Joint Inspection Made
60.34	Stair and Shaft Enclosure	1. Joint Inspection Made
60.35	Fire Extinguisher	1. Proper Type 2. Location 3. Maintenance 4. Operational
60.36	Fire Alarm System	1. Operation and Testing 2. Location of Pull Station
60.37	Hazardous Areas	1. Joint Inspection Made
60.38	Exit and Emergency Lighting	1. Joint Inspection Made

Rule Number	Topic of Rule	Subject of Investigation
Ch. ILHR 61 — Community-Based Residential Facilities		
61.10 (1) (h)	Construction, Building and Site	1. Maintenance
61.10 (3)	Smoke Separation	1. Maintenance
61.12	Exiting and Doors	1. To be Clear and Unobstructed 2. Maintenance
61.14	Smoke Detection	1. Correct Installation 2. Maintenance of Detectors
61.18 (4)	Ramp Requirements	1. Maintenance
61.20	Fire Extinguisher	1. Proper Type 2. Location 3. Maintenance 4. Operational
61.24	Heating and Ventilating	1. Maintenance
61.25	Electrical	1. Electrical Check List
Ch. ILHR 62-Subch. I — Open Parking Structures		
62.26	Number, Location and Type of Pedestrian Exits	1. Maintenance
62.29	Illumination and Exit Lights	1. Maintenance of Illumination and Exit Lights
62.30	Fire Protection	1. Correct Installation of Standpipes
62.32	Isolation of Hazards	1. Maintenance
Ch. ILHR 62-Subch. III — Tents		
62.46	Fire Hazards	1. Elimination of Fire Hazard
62.47	Exits	1. Maintenance
62.49	Electrical Installation	1. Proper Installation
62.50	Fire Extinguishing Equipment	1. Proper Type 2. Location 3. Maintenance 4. Operational
62.51	Illumination, Exit Lights and Signs	1. Maintenance of Illumination
Ch. ILHR 62-Subch. V — Assembly Seating Facilities		
62.72	Inspection and Maintenance	1. Proper Maintenance 2. Conformance With Rules
62.75	Means of Egress	1. Maintenance 2. To Be Clear and Unobstructed
62.78	Isolation of Hazards	1. Maintenance of Enclosure
62.80	Illumination and Emergency Lighting	1. Proper Illumination
62.81	Fire Prevention	1. Maintenance
Ch. ILHR 62 — Subch. VII — Pedestrian Access Structures Connecting Buildings		
62.98	General Requirements Construction	1. Protection of Openings 2. Maintenance
62.99	Exiting	1. Maintenance 2. To Be Clear and Unobstructed

Rule Number	Topic of Rule	Subject of Investigation
Ch. ILHR 64 — HVAC		
64.08	Exhaust Ventilation System	1. Maintenance
64.09	Combustion Air Intakes	1. Maintenance
64.16	Air Cleansing Devices	1. Maintenance
64.19	Location of Outside Air Intakes and Exhausts for Mechanical Ventilating Systems	1. Maintenance
64.21	Location of Equipment	1. Proper Equipment 2. Maintenance
64.22(5)	Unvented Space Heaters	1. Use Prohibited
64.22 (7)	Fireplaces and Fireplace Stoves	1. Proper Installation 2. Maintenance 3. Operation and Testing
64.23 (5) (a) and (b)	Piping	1. Installation 2. Maintenance
64.42	Fire Dampers and Fire Curtains	1. Maintenance
64.45	Chimneys, Smoke Stacks, Gas Vents, Mechanical Draft and Venting Devices	1. Maintenance
64.46	Masonry Chimneys	1. Maintenance
64.47	Metal Smokestacks	1. Maintenance
64.48	Factory-Built Chimneys and Gas Vents	1. Maintenance
64.49	Gas Vent	1. Maintenance
64.50	Chimney and Vent Connectors	1. Maintenance
64.51 (4)	Fire Protection	1. Correct Equipment 2. Proper Installation 3. Proper Clearances and Protection
64.52(1)	Maintenance	1. Inspection of Chimney After Fire Before Reuse
64.61(2)	Repair Areas	1. Maintenance
64.62 (2)	Vehicle Service Buildings	1. Maintenance
64.63 (2)	Garages	1. Maintenance
64.67 (5) (e), (f) and (g)	Kitchens	1. Maintenance
64.67 (6)	Automatic Suppression Systems	1. Correct System 2. Proper Installation 3. Maintenance and Operational

APPENDIX C

The 1989 Wis. Act 335 requires the department to establish rules for public buildings such that adequate space is provided within or adjacent to buildings for the separation, temporary storage and collection of recyclable materials likely to be generated by the occupants of the building.

When verified amounts of previously generated recyclable materials are available, the following may be used to determine adequate space for the separation, temporary storage and collection of recyclable materials:

One cubic yard should be allocated for each 200 pounds of newspaper and mixed paper.

One cubic yard should be allocated for each 80 pounds of mixed or commingled recyclable materials.

The guidelines in the following table are provided for determining adequate space allocation when verified amounts of previously generated recyclable materials are not available. These guidelines are based on accumulation of recyclable materials likely to be generated by the building occupants for one week and one month, respectively.

Guidelines for Recommended Space Allocation
by Type of Building Occupancy^a

Type of Building Occupancy	Space Allocation (cu. ft./1,000 sq. ft. floor area)	
	One Week	One Month
Assembly Hall, Theater	2.2	10.0
Child Day Care		
with meals served	4.5	20.0
without meals served	3.0	12.0
Detention and Correctional	13.5	60.0
Garage		
Storage	0	0
Repair	b	b
Health Care		
Hospital	13.5	60.0
Clinic, without meals served	8.0	36.0
Nursing/Rest Home	4.5	20.0
Hotel, Motel		
without meals served	3.5	15.0
Industrial	b	b
Library	2.2	10.0
Mercantile		
Department Store, Shopping Mall	9.0	40.0
Grocery	18.0	80.0
Museum, Art Gallery	2.2	10.0
Office	7.0	30.0
Residential, multi-family dwelling	9.0	40.0
Restaurant or Food Service	c	c
School, Places of Instruction	3.0	12.0
Warehouse	b	b

^a This information is to be used only as a guide in determining space allocation. Space allocation may differ from the listed value when using verified amounts of previously generated recyclable materials.

^b Varies with type of activity.

^c Varies with number of meals served and type of meal service.

Chapters ILHR 50 — 64

INDEX

See also first page of each chapter for listing of section headings.

A

	<u>ILHR Section No(s)</u>
ACADEMIES	ch. ILHR 56
ACCESS:	
Attics	51.02(18)(a)
Buildings - fire department	54.01(5), 57.02(3)
Roofs	51.02(18)(b)
Windowless floor levels - fire department ..	52.02(2)
ACCESSIBILITY FOR PHYSICALLY DISABLED:	
Access to primary floor	52.04(4)(a)
Additions	52.04(6)
Alterations	52.04(6)
Corridors	52.04(9)
Definitions	52.04(2)
Doors	52.04(9)
Drinking fountains	52.04(11)
Interior circulation	52.04(4)(b)
Multi-use buildings	52.04(5)
New construction	52.04(4)
Parking	52.04(3)(a)
Platforms	52.04(3)(d), 52.04(9)(e)
Ramps	52.04(3)(b), 52.04(3)(d), 52.04(7)
Site requirements	52.04(3)
ADDITIONS:	
Accessibility for the disabled	52.04(6)
Application	50.03
Assembly halls	55.02(2m)(c)4
Design	50.07
Sprinkler systems	52.01(1)(a), 52.011(5)
ADJOINING BUILDINGS:	
Excavation protection	53.26
Parapets	51.02(12)
ADMINISTRATION AND ENFORCEMENT (Ch. ILHR 50):	
Additions	50.03, 50.07, 52.04(6)
Alterations	50.03, 50.07, 50.12
Appeals	50.24
Application of code	50.03, 50.04
Approval by certified city inspector	50.21
Approval of materials, equipment, devices testing laboratories	50.19
Approval of plans and specifications ...	50.12, 63.01, 64.02
Approval, revocation of	50.16
Certificate of occupancy, local requirement ...	50.06
Change of use	50.03, 52.04, 63.001
Changes to plans and specifications	50.12(6)
Design	50.07, 50.08
Design responsibilities	50.12(3)(a)

Enforcement	50.21(6), 50.23
Evidence of plan approval	50.15
Existing buildings	50.05
Expiration of plan approval	50.17
Fees	50.20, ch. ILHR 2
First class city examination and approval	50.21
Footings and foundation approval	50.13
Local regulations	50.06
Penalties	50.26
Permission to start construction	50.14
Petition for variance	50.25
Plans prepared outside Wisconsin	50.08
Scope of code	50.02, 50.04
Tests and test reports	50.19, 51.044, 64.20
AGRICULTURAL BUILDINGS:	
Exemption	50.04
Greenhouses	62.90-62.96
AIR CONDITIONING:	
Controls	63.21
Design criteria	64.01
Equipment Efficiencies	63.20
AIR INTAKES:	
Combustion equipment (Solid and liquid fuels)	64.09
Fresh air	64.19
Location	64.07(1)
Projection booths, ventilation	55.44
AIRPLANE HANGARS:	
Plan review exemption	50.12(1)(f)
ALARM SYSTEMS:	
Fire alarms	51.24
High rise buildings	52.01
Smoke detectors	51.245
ALLEY:	
Definition	51.01(2)
Exiting	52.26
ALLOWABLE AREAS AND HEIGHT OF BUILDINGS	51.02, 51.03, 52.013, 54.01, 57.02, 59.12, 62.24, 62.43, 62.94
ALLOWABLE STRESSES:	
Crane	53.14
Masonry-empirical method	53.322(1)
ALTERATION	50.03(4), 51.01 (2e), 51.01 (105m)
ALTERATIONS:	
Accessibility	52.04
Code application	50.03
Design	50.07
Plan review	50.12
ALUMINUM CONSTRUCTION	53.54
AMUSEMENT FACILITY	51.01 (2m)

INDEX

- AMUSEMENT PARK:**
Amusement structures (Refer to ch. ILHR 34)
- ANCHORAGE, ANCHORS:**
Bolts 53.34
Concrete slabs on masonry (Restrained) 53.322
Masonry, general 53.316, 53.322, 53.323, 53.34
Masonry, veneer 53.322(6), 53.36(5)
Steel floor joists 53.52
Timber fasteners 53.322, 53.61, 53.63
Uplift and suction forces 53.12
Walls and partitions, intersecting 53.63
Wood fasteners 53.61
Wood floor framing to masonry 53.322, 53.323
Wood floor joists or beams on masonry 53.322, 53.323
Wood framing around openings 53.63
Wood headers 53.63
Wood joist anchors 53.63
Wood nailing schedule 53.63
Wood partitions 53.63
Wood sill anchors 53.63
Wood trusses 53.12, 53.62
- ANTENNA** 62.35, 62.41
Plan review 50.12(1)(i)
- APARTMENT BUILDINGS** ch. ILHR 57
- APPEALS** 50.24
- APPROVED, Definition** 51.01(3)
- APPROVED DIVERSIFIED TESTS:**
Definition 51.01 (3a)
Foam plastics 51.06
- ARCHITECT:**
Design 50.07, 50.08
Plan submittal 50.12
Supervision 50.10
- AREA:**
Gross, definition 51.01(4)
Net, definition 51.01(5)
- AREAS:**
Allowable areas 54.01, 57.02, 59.12, 62.24, 62.43, 62.94
Attic areas 51.02(19)
Automatic sprinklers 52.013
Draftstopping-floor/ceiling assemblies 53.63(2)
Increase in areas 54.01, 57.02, 59.12
Unlimited areas 54.01
- AREAWAY:**
Definition 51.01(5a)
Habitable rooms below grade 57.11
- ARENA, Horse** ch. ILHR 54 or 55
- ASPHALT, Roof coverings** 51.03-A, 51.05
- ASSEMBLY HALLS:**
100 persons or less ch. ILHR 54
More than 100 persons ch. ILHR 55
- ASSEMBLY SEATING FACILITIES** ... 62.70-62.81
- ATRIUM:**
Definition 51.01(5b)
- General requirements 52.07
- ATTIC:**
Access 51.02, 57.19
Compartmentalization 51.02(18)
Definition 51.01(6)
- AUDITORIUMS (See ASSEMBLY HALLS)**
- AUTOMATIC, Definition** 51.01(7)
- AUTOMATIC FIRE SPRINKLER SYSTEM:**
Definition 51.01(7a)
Health care facilities 58.24, 58.25, 58.29
High rise buildings 52.01
Housing for the elderly 57.016(2)
Low rise buildings 52.011, 52.012, 52.013
School basements 56.03
Specifications 51.23
- AUTOMATIC FIRE SUPPRESSION SYSTEM**
Definition 51.01(7b)
- B**
- BALCONY:**
Definitions 51.01(8), 51.01(9)
Exterior balcony, as exit 54.03, 57.05(12)
Fire escapes 51.20
- BARRIER-FREE DESIGN** 52.04
- BASEMENT:**
Definition 51.01(10)
Fire department access 52.02(2)
Habitable room below grade 57.11
Schools 56.03
Windowless floor levels 52.012(1)
- BATHROOM (See TOILETS, TOILET ROOMS, REST ROOMS, SANITARY FACILITIES)**
- BEAMS (Also see GIRDERS):**
Concrete design 53.40
Fire cuts 53.63
Fire protective and fire-resistive requirements 51.03, 51.043, 51.045
Plywood beams 53.61
Reinforced concrete 53.40
Reinforced masonry 53.323
Steel 53.50
Structural, glue laminated 53.61
Timber, heavy 53.61
Wood 53.61
- BEARING:**
Soil capacity 53.21
Wood beams and girders 53.34, 53.63
Wood columns 53.60
- BEARING WALL, Definition** 51.01(11)
- BED AND BREAKFAST ESTABLISHMENT:**
Code exemption 50.04
Definition 51.01(11a)
- BLEACHERS, Temporary seats** 62.70-62.81
- BLOCKS, CONCRETE MASONRY UNITS** 53.311
- BOILERS** 64.22

BOLTS (See ANCHORAGE AND ANCHORS)

BOWLING ALLEYS..... ch. ILHR 54 or 55

BRACING:
 Exterior stud walls 53.63
 Masonry walls, lateral 53.322
 Smokestacks 64.47

BRIDGING:
 Steel joists..... 53.50, 53.52
 Wood joists..... 53.63

BUILDING:
 Allowable areas and heights 51.02, 51.03, 52.013,
 54.01, 56.01, 57.02, 59.12, 62.24, 62.43, 62.94
 Alterations 50.03, 50.07
 Capacity 54.05, 55.06, 57.04, 60.11
 Change of use 50.03, 52.04, 63.001
 Classes of construction 51.03
 Definition 51.01(12)
 Existing 50.05
 Locations.... 51.02(7),(12), 51.03, 55.02(2m), 62.22
 Maintenance 52.22, 52.64, 55.50, 61.21
 Pole 51.03(6)
 Temporary 50.04

BUILDING PLAN APPROVAL..... 50.12

BUTTRESS, Definition..... 51.01(14)

C

CAISSONS..... 53.24

CALCULATIONS:
 Energy conservation 50.12(4)(a)
 HVAC..... 50.12(4)(c)
 Structural 50.12(4)(b)

CANOPIES:
 Service stations 59.11
 Structural 53.11(4)

CAPACITY (See BUILDING CAPACITY)

CAVITY WALL, Definition..... 51.01(15)

CEILING PROTECTION:
 Day care centers..... 60.30
 Definition 51.01(16)
 Residential occupancies 57.01(3)

CEILINGS..... 51.03, 51.045

CELLAR (See BASEMENT)

CEMENT (See PORTLAND CEMENT)

CERTIFICATE OF OCCUPANCY 50.06

CERTIFIED MUNICIPAL APPROVALS 50.21

CERTIFIED INSPECTOR, Definition ... 51.01(16a)

CHANGE OF OCCUPANCY:
 (Change of use)..... 50.03, 52.04, 63.001

CHIMNEYS 64.45, 64.46, 64.48, 64.50

CHURCHES (See ASSEMBLY HALLS)

CIRCULATION, ACCESSIBILITY..... 52.04

CLASSIFICATION OF BUILDINGS:
 Construction classification 51.03
 Occupancy classifications See OCCUPANCY
 CHAPTERS chs. ILHR 54, 55, 56, 57, 58, 59, 60,
 61, 62

CLASSROOMS:
 Mobile training units 56.40
 Relocatable..... 56.30

CLEANLINESS..... 52.23

CLEARANCE LIMITATIONS:
 Fire Protection 64.51
 Headroom 51.164
 Open parking structures 62.25

CLOSING DEVICE:
 Definition 51.01(17)
 Residential occupancies 57.06(2)

COLLEGES AND UNIVERSITIES.... ch. ILHR 56

COLUMNS:
 Definition 51.01(17n)
 Fire protection requirements ... 51.02, 51.03, 51.045
 Footings supporting 53.11
 Heavy timber 51.03
 Masonry 53.322
 Reinforced concrete..... 53.40
 Structural steel 53.50
 Wood 53.61, 53.63

COMBUSTIBLE:
 Clearance to 64.51
 Construction, definition 51.01(18)
 Material, definition 51.01(19)
 Material, storage of 60.19

COMBUSTION AIR 64.09

COMMERCIAL MOTOR VEHICLE
 Definition 51.01(19a)

**COMMUNITY-BASED RESIDENTIAL
 FACILITIES (CBRF)** ch. ILHR 57 or 61
 Definition 51.01(19b)
 Exemption 50.04

COMPOSITE WALLS..... 53.322

COMPOSITION ROOFING 51.05

CONCRETE: 53.40-53.42
 Types of..... 51.045

CONCRETE BLOCKS..... 53.311

CONCRETE CONSTRUCTION:
 Aggregate 53.40, 53.42
 Basement walls 53.322, 53.40
 Beams..... 53.40
 Block 53.311
 Columns 53.40
 Concrete 53.40-53.42
 Concrete, types of 51.045
 Erection 53.40
 Fire-resistance materials 51.043-51.045
 Fire-resistance ratings 51.043
 Gypsum concrete 53.41
 Lateral support 53.322, 53.40
 Materials..... 53.40

INDEX

- Precast, Prestressed, Pretensioned..... 53.40
 Piers 53.322, 53.40
 Post-tensioned 53.40
 Protection against freezing 53.33
 Reinforced 53.40
 Stone 53.311, 53.40-53.42
 Tests 53.40
 Types 53.045
 Water 53.315
 Vermiculite 53.42
 Working stresses 53.311, 53.312, 53.40
- CONDOMINIUMS ch. ILHR 57
- CONNECTORS, CHIMNEY & VENTS 64.50
- CONSERVATION OF ENERGY ch. ILHR 63
- CONSTRUCTION:
 Aluminum 53.54
 Classes 51.03
 Concrete 53.40
 Definition 51.01(21)
 Masonry .. 53.32, 53.322, 53.323, 53.33, 53.34, 53.35
 Separation of classes 51.02(20)
 Stage separation 55.21
 Steel 53.50
 Temporary 50.04
 Types 51.03
 Wood framing 53.60, 53.61, 53.62, 53.63
- CONVALESCENT HOMES ch. ILHR 57
- CONVENTS ch. ILHR 57
- CORBELING MASONRY 53.34
- CORRECTIONAL FACILITIES ch. ILHR 58
 subch. II
- CORRIDOR, Definition 51.01(22)
- CORRIDORS:
 Definition 51.01(22a)
 Required exits - fire ratings 51.03
- COURT:
 Definition 51.01(23)
 Inner, definition 51.01(24)
 Inner lot line, definition 51.01(25)
 Outer, definition 51.01(26)
 Outer lot line, definition 51.01(27)
 Sizes 52.05
- COURT WALLS, REQUIRED FIRE-RESISTIVE
 51.03
- CURB, CUT FOR BARRIER-FREE ACCESS
 52.04(3)
- CURTAIN, PROSCENIUM 55.23
- CURTAIN WALL, Definition 51.01(28)
- D
- DAMPERS AND SHUTTERS, FIRE 64.42
- DANCE HALLS ch. ILHR 54 or 55
- DAY CARE CENTERS ch. ILHR 60
- DEAD LOADS 53.10
- DECAY PREVENTION 53.63
- DECORATIVE FEATURES:
 Assembly halls 55.18, 55.19
 Exterior projections 51.03
 Fire protection requirements 51.02(15)
 Interior finishes 51.06
- DEFINITIONS:
 Certain words and topics 51.01
 Occupancies, scopes 54.001, 55.01, 56.001, 56.30,
 56.40, 56.50, 57.001, 58.001, 58.40, 59.10, 60.01,
 61.001, 62.20, 62.35, 62.42, 62.52, 62.70, 62.90,
 62.97
 Types of construction 51.03
- DEPARTMENT, Definition 51.01(29)
- DESIGN AND SUPERVISION OF
 CONSTRUCTION 50.07, 50.10
- DETECTORS (See SMOKE DETECTION)
- DETENTION AND CORRECTIONAL
 FACILITIES ch. ILHR 58 subch. II
- DIAPHRAGMS, PLYWOOD 53.61
- DIRECT VENT SEALED COMBUSTION
 CHAMBER APPLIANCE:
 Boilers 64.21(2)
 Definition 51.01(29a)
 Furnaces 64.21(1)
 Water heaters 64.21(2)
- DISTANCE BETWEEN BUILDINGS 51.03
- DISTRIBUTION OF EXITS 51.151
- DIVISION WALL, Definition 51.01(30)
- DOORS AND DOOR ASSEMBLIES, RATED
 51.047
- DORMITORIES ch. ILHR 57
- DRAFT STOPS 53.63
- DRAWINGS (See ADMINISTRATION AND
 ENFORCEMENT)
- DRESSING ROOMS, STAGE 55.28
- DRINKING FOUNTAINS:
 Accessibility 52.04(11)
 Assembly halls 55.32
 CBRF's 61.19
 Correctional facilities 58.68
 Educational facilities 56.16
 Factories, offices, stores 54.12
 General requirements 52.60(4)
 Health care facilities 58.32
 Residential facilities 57.12
- DRY CLEANING 54.14(1)(c)
 (Also refer to ch. ILHR 15)
- DUCT, Definition 51.01(31)
- DUCT FURNACE, Definition 51.01(32)
- DUCTS 64.31-64.40
- DUMB WAITERS (Refer to ch. ILHR 18)

D WELLINGS:

- Apartments ch. ILHR 57
- One and two-family units exempt 50.04
- (Also refer to Uniform Dwelling Code chs. ILHR 20-25)

E

EARTH PRESSURE:

- Piling 53.24
- Pole foundations 53.28
- Soil bearing capacity 53.21

ECCENTRIC LOADS 53.11

ELECTRIC WELDING 53.53

ELECTRICAL WORK:

- CBRF 61.25
- General Requirements 52.20
- Sprinklers 51.23(1)
- (See also Wis. Electrical Code ch. ILHR 16)

ELEVATORS (Refer to ch. ILHR 18)

ELEVATOR SHAFTS (See VERTICAL OPENINGS)

ENCLOSURE OF VERTICAL OPENINGS

- (See STAIRS AND STAIRWAYS and TYPES OF CONSTRUCTION) ch. ILHR 63

ENERGY CONSERVATION:

Design criteria:

- Design criteria 63.12
- General requirements 63.11

Equipment and systems:

- Controls 63.21
- Cooling with outdoor air 63.23
- Equipment efficiencies 63.20
- Insulation 63.22
- Maintenance 63.24

Illumination and electrical systems:

- Controls 63.42
- Distribution 63.40
- Lighting 63.41

Nondepletable energy sources:

- Documentation 63.51
- Solar, wind, geothermal, and others 63.50

Scope and purpose:

- General 63.001
- Plans and specifications 63.01
- Purpose 63.002

Systems analysis design:

- Annual energy consumption 63.60
- Documentation 63.62
- Simulation 63.61

Water heating:

- Conservation of hot water 63.32
- Insulation 63.33
- Purpose 63.30
- Water heaters, storage tanks, and boilers 63.31

ENERGY EFFICIENCY RATIOS 63.20

ENGINEER:

- Design 50.07, 50.08
- Plan submittal 50.12
- Supervision 50.10

EQUIPMENT, Definition 51.01(34)

EQUIVALENT THICKNESS, MASONRY .. 51.045

EXCAVATIONS..... 53.20-53.28

EXHAUST VENTILATION SYSTEMS:..... 64.08

- Definition 51.01(35)

EXHIBITION BUILDINGS ch. ILHR 54

EXISTING, Definition 51.01(36)

EXISTING BUILDINGS:

- Additions, alterations, repairs 50.03
- Application of code 50.03
- Barrier-free environment 52.04
- General orders on (Refer to chs. Ind. 160-164)

EXIT:

- Access, definition 51.01(36b)
- Aisles (See PASSAGEWAYS)
- Areas of hazards 51.167
- Capacity 51.15
- Court 52.05
- Court, definition 51.01(37)
- Definition 51.01(36a)
- Discharge grade, definition 51.01(38)
- Distribution 51.151
- Doors 51.15, 54.06, 55.10, 56.08, 57.06, 58.04, 58.49, 59.13, 60.12, 61.12
- Doors, revolving, sliding 51.15(2), 54.06, 55.10
- Enclosures 51.02(14), 51.18
- Hardware 51.15(3)
- Horizontal 51.19
- Lights .. 51.15(5), 54.06, 55.11, 56.06, 57.10, 58.18, 58.57, 59.14, 60.38, 62.29, 62.51
- Locking 51.15(3), 54.06(3), 58.20, 58.58
- Means of egress, definition 51.01(80a)
- Monumental stairs 54.08, 55.09
- Number required .. 54.02, 55.07, 56.06, 57.03, 58.05, 58.49, 59.14, 60.11, 60.31, 61.12, 62.26, 62.47, 62.53, 62.75, 62.95, 62.99
- Panic hardware 51.15(3)
- Ramps (See RAMPS)
- Rescue platforms 54.03, 57.05
- Signs 51.15(5)
- Sliding door glazed 57.06, 60.12
- Stairways 51.16
- Width 51.15, 54.04, 55.12, 56.07, 57.04, 58.12, 58.54, 59.15, 60.32, 62.47
- Vertical, definition 51.01(39)

EXPLOSIVES, Storage of (Refer to ch. ILHR 7)

EXPOSED EXTERIOR COLUMNS AND

- FRAMING 51.02(10)

EXTERIOR OPENINGS:

- Doors (See DOORS AND DOOR ASSEMBLIES)
- Ducts 64.19
- Exits 51.15, 51.20
- Fire protection 51.03
- Intakes 64.19
- Vents 64.19, 64.39, 64.40

EXTERIOR STAIRWAYS 51.16, 51.20, 54.03

EXTERIOR WALL:

- Construction 51.02(4), 51.03

INDEX

- Definition 51.01(41)
- F**
- FACTORIES**..... 54.001
- FACTORY, Definition**..... 51.01(41a)
- FAMILY, Definition**..... 51.01(42)
- FARM BUILDINGS, Exemption**..... 50.04
- FARM OPERATION, Definition of**..... 51.01(42a)
- FEE SCHEDULE (Refer to ch. ILHR 2)**
- FENESTRATION IN-FILL PANELS**..... 51.02(4)
- FILLING STATIONS** ch. ILHR 54 or 59
- FINISHES (See INTERIOR FINISHES)**
- FIRE:**
- Alarms 51.24, 54.17, 56.19, 57.17, 58.64, 58.83,
59.24, 60.36
- Dampers 51.049, 64.42
- Doors 51.047
- Escapes 51.20
- Exits (See EXIT)
- Extinguishers .. 51.22, 54.145, 55.33(3), 56.18, 57.18,
58.28, 58.63(3), 59.23, 61.20, 62.50
- Protection requirements 51.02, 51.03
- Ratings of material and assemblies 51.04
- Sprinklers 51.23, 52.01, 52.011, 52.012, 52.013
- Standpipes 51.21, 54.15(2), 55.33(2), 56.20(2),
57.15(2), 58.28, 58.63(2), 59.23, 62.30
- Stopping 51.049, 53.63
- Walls-division 51.02(13)
- FIRE DOOR, Definition**..... 51.01(43)
- FIRE DOOR ASSEMBLY, Definition** 51.01(44)
- FIRE DOOR CLOSING DEVICE, Definition**
..... 51.01(45)
- FIRE RESISTANCE AND FIRE RESISTIVE
MATERIAL, Definition** 51.01(46)
- FIRE RESISTANCE RATINGS:**
- Assemblies 51.045
- Construction 51.03
- Materials..... 51.045
- Standards and references 51.04
- Testing laboratories 51.044
- FIRE RESISTIVE:**
- Classification, definition..... 51.01(47)
- Protection, definition 51.01(48)
- Protection, directly applied, definition 51.01(49)
- Rating, definition 51.01(50)
- Standards 51.04
- FIRE RETARDANT:**
- Roof coverings, definition 51.01(51)
- Treated wood, definition 51.01(52)
- FIRE SUPPRESSION SYSTEM:**
- Definition 51.01(7b)
- General requirements 51.23
- High rise buildings..... 52.01(1)
- FIRE WINDOW ASSEMBLY**
- Definition 51.01(53)
- FIREPLACES AND FIREPLACE STOVES** .. 58.24,
64.22
- FIRESTOPPING:**
- For wood frame construction..... 53.63
- FIRST FLOOR, Definition** 51.01(54)
- FLAMEPROOFING REQUIRED** 55.19, 62.45
- FLAME-SPREAD CLASSIFICATION**
- Definition 51.01(55)
- FLOODPLAIN, CONSTRUCTION WITHIN**.....
..... 50.07
- FLOOR:**
- Definition 51.01(56a)
- Finish 51.07, 52.57
- Fire resistance 51.03
- First, determination 51.02(14)
- Level, definition 51.01(57a)
- Loads 53.10, 53.11, 53.13
- Mezzanine, definition 51.01(82)
- Pits, in garage 59.11
- Plywood..... 53.61
- Posting loads 54.17
- Protection for stoves, water heaters 64.51
- Trap door, stage 55.22
- FLUES**..... 64.46
- FOAM PLASTICS** 51.06
- FOOTING (Also see FOUNDATIONS)**..... 53.20
- FOUNDATIONS:**
- Basement wall loads 53.11
- Caissons..... 53.24
- Concrete 53.40
- Design 53.11
- Frost penetration 53.23
- Masonry 53.322
- Permit for 50.13, 50.14
- Piers 53.322
- Piles 53.24
- Pole 53.28
- Protection of adjoining property 53.26
- Settlement 53.25
- Soil bearing..... 53.21
- Walls..... 51.02(4)
- Wood and timber, treated.... 51.02(4), 53.61, 53.64
- FOYER, Definition**..... 51.01(58)
- FREESTANDING FREEZER AND COOLER:**
- Definition 51.01(58a)
- Foam plastic 51.06
- FREEZER WAREHOUSES**..... 51.06, 54.01
- FRONT YARD, Definition** 51.01(59)
- FROST, DEPTH OF FOUNDATION FOR**.... 53.23
- FUEL CONTRIBUTED CLASSIFICATION (FCC)**
- Definition 51.01(60)
- FUNERAL HOMES** ch. ILHR 54 or 55

FURNACE:

- Definition 51.01(61)
- Duct, definition 51.01(62)
- Requirements 64.21, 64.22

- FURRING:** 51.03, 51.06
- Fire division wall 51.02(13)
 - Fire doors 51.047, 54.02
 - Motion picture machine booths 55.43, 55.44
 - Stage smoke outlets 55.24

G

GALLERY ch. ILHR 56

GALVANIZED:

- Ducts 64.34
- Roofing 51.05
- Siding 51.03

GARAGES:

- Mini-storage buildings 62.995
- Repair ch. ILHR 59
- Separations 51.08
- Storage ch. ILHR 59

GLASS:

- Block assemblies 51.048
- Labeling 51.048
- Sizes 51.03, 51.048
- Wired 51.048

GLAZING, SAFETY 51.14

GRADE:

- At building, definition 51.01(63)
- Exit discharge grade, definition 51.01(64)
- Lumber 53.61
- Plywood 53.61

GRAIN ELEVATORS ch. ILHR 54

GRANDSTANDS 62.70-62.81

GRAVITY EXHAUST VENTILATION

- Definition 51.01(65)

GRAVITY SIPHON-TYPE VENTILATOR ... 64.08

GREENHOUSE 62.90-62.96

GROSS AREA, Definition 51.01(66)

GROUND FLOOR:

- Definition 51.01(67)
- Number of stories 51.02(14)

GUARD TOWERS 58.67

GUARDRAILS: 51.162

- Grandstands 62.77
- Parking structures 62.28

GYMNASIUMS: ch. ILHR 54 or 55

- Schools 56.02(5)

GYPSUM:

- Concrete 53.41
- Fire resistance ratings 51.045
- Reinforced 53.41

H

HABITABLE ROOM:

- Definition 51.01(67a), 61.01
- Floors below grade 57.11

HANDICAP (See ACCESSIBILITY FOR PHYSICALLY DISABLED)

HANDRAILS:

- Fire escapes 51.20
- Ramps, accessibility 52.04
- Stairways 51.161

HANGARS, AIRPLANE: ch. ILHR 59

- Plan review exemption 50.12(1)

HAZARDOUS OCCUPANCIES: ch. ILHR 59

- Construction 59.11
- Exiting 59.13-59.19
- Fire detection and suppression 59.23-59.24
- Height and area limitations 59.12
- Isolation of hazards 59.21
- Occupancy separations 51.08
- Sanitary facilities 59.20

HAZARDOUS PIPING:

- Definition 51.01(68)
- Plenum 64.41

HAZARDS, ISOLATION OF 54.14, 55.29, 56.15, 57.14, 58.24, 58.62, 59.21, 60.25, 60.37, 62.32, 62.78, 62.965

HEADROOM 51.164, 62.25

HEALTH CARE FACILITIES: ch. ILHR 58 subch. I

- Automatic sprinklers 58.24, 58.25, 58.29
- Class of construction 58.01
- Corridor wall construction 58.31
- Detention, alarm and communication systems 58.27
- Elevator lobby enclosure 58.22
- General requirements 58.01
- Separation from other occupancies 58.02
- Smoke barriers 58.30

HEATED SIDEWALK, PROHIBITED 63.11

HEATING SYSTEM, Definition 51.01(69)

HEATING, VENTILATING AND AIR

CONDITIONING: ch. ILHR 64

- Air cleansing devices 64.16
- Air movement and distribution 64.06
- Air velocities 64.31
- Automatic controls 64.17
- Chimneys, factory built 64.48
- Chimneys, masonry 64.46
- Combustion air intakes 64.09
- Contamination of air 64.18
- Dampers and damper controls 64.09, 64.42
- Design 50.07, 50.08
- Duct connectors 64.35
- Duct construction 64.34
- Duct design 64.31
- Duct use 64.32
- Equipment installations 64.21
- Equipment ratings safety controls 64.20

INDEX

- Exhaust ventilation system 64.08
 Fans and blowers 64.44
 Fire dampers and fire doors 64.42
 Gas vents 64.50
 Gravity ventilation ducts 64.38
 Heat loss and capacity 64.03
 Inside design temperatures and ventilation ... 64.05
 Insulation 64.37
 Location of air intakes or exhausts 64.19
 Mechanical ventilation systems 64.06
 Natural ventilation systems 64.07
 Occupancy requirements 64.54-64.68
 Outside temperature design conditions 64.04
 Piping 64.23
 Plan submission 50.12
 Plenums 64.41
 Relief vents 64.40
 Smoke pipes 64.49
 Smokestacks, metal 64.47
 Solid fuel burning 64.21
 Special equipment requirements 64.22
 Tempered air requirements 64.13
 Tempered outside air requirements 64.14
 Underground duct 64.33
 Ventilation discharge 64.39
 Vertical shafts 64.36
- HEAVY TIMBER CONSTRUCTION** 51.03(4)
- HEIGHT:**
 Automatic sprinklers 51.02(21), 52.01
 Chimneys 64.45
 Classifications of construction 51.03
 Definition 51.01(70)
 Masonry walls 53.322
 Parapet walls 51.02(12), 53.322
 Towers, spires, poles 53.61, 62.35
 Windloads 53.12
- HOLLOW BONDED WALL, Definition** ... 51.01(71)
- HOLLOW MASONRY:**
 Units 53.311
 Walls 53.321, 53.322, 53.34
- HOODS, KITCHEN EXHAUST** 64.67
- HORIZONTAL EXITS** 51.19
- HORSE ARENA** ch. ILHR 54 or 55
- HOSE:**
 Sprinklers 51.23
 Standpipes 51.21
- HOSPITALS:** ch. ILHR 58 subch. I
 Definition 51.01(71a)
- HOTELS** ch. ILHR 57
- I**
- IN-FILL PANELS, FENESTRATION** 51.02(4)
- INCREASE IN AREAS ALLOWED** ... 54.01, 57.01, 59.12
- INFILTRATION** 63.11, 64.03
- INNER LOT LINE COURT, Definition** ... 51.01(73)
- INSPECTIONS:** 50.18
 Public school maintenance 56.21
- INSULATION:** 63.22
 Ducts 63.22, 64.37
 Linings, duct 64.36
 Pipe coverings 63.22, 64.23
 Slab, perimeter 63.12(3)
 Thermal performance 63.12
- INTAKE, OUTSIDE AIR, Definition** 51.01(74)
- INTERIOR BALCONY (See MEZZANINE)**
 Definition 51.01(75)
- INTERIOR FINISHES:**
 Application of 51.07
 Definition 51.01(75a)
 Flame spread 51.07, 58.26
 Floor finish, toilet rooms 52.57
 Smoke developed 51.07, 58.26
 Walls, toilet rooms 52.58
- INTERIOR PARTITIONS** 51.03
- INTERIOR STAIRWAYS, ENCLOSED** 51.18
- ISOLATION OF HAZARDS** 54.14, 55.32, 56.15, 57.14, 58.24, 58.62, 59.21, 60.25, 60.37, 62.32, 62.78, 62.695
- J**
- JAILS** ch. ILHR 58 subch. II
- JOISTS:**
 Concrete 53.40
 Decay resistance 53.63
 Fire cuts 53.63
 Fire resistance ratings 51.045
 Fire stopping 53.63
 Floor framing 53.63
 Steel 53.50, 53.52
 Wood 53.60-53.63
- L**
- LABELS:**
 Exit door bolts 51.15(3)
 Fire doors 51.047
 Roofing 51.05
 Safety glazing 51.14
 Windows 51.048
- LADDERS, ACCESS TO ATTIC OR ROOF** 51.02(18)
- LAMINATED MATERIALS** 53.60
- LATERAL BRACING** 53.50
- LAUNDRY ROOMS:**
 Sprinklers 52.011
- LAVATORIES** 52.60(3)
- LIBRARIES** ch. ILHR 56
- LIGHT:**
 Exit signs .. 51.15, 54.06, 55.11, 56.06, 57.10, 58.18, 58.57, 59.14, 60.38, 62.29, 62.51
 Occupancies 54.11, 55.30, 56.17, 58.17, 58.575, 59.19, 60.17, 62.60

Lighting power budgets	63.41
LIGHT TRANSMITTING PLASTICS.....	51.065
LINTEL	51.03(5)
LIVING UNIT, Definition	51.01(76a)
LOADS, DEAD	53.10
LOADS, DESIGN COMBINATIONS	53.15
LOADS, FOOTINGS AND FOUNDATIONS..	53.20
LOADS, LIVE:	
Concentrated	53.11
Cranes	53.13
Floor loads, occupancy	53.11
Footings.....	53.11
Impact	53.13
Posting loads	54.17
Reduction of loads	53.11
Roof	53.11
Sidewalks	53.11
Snow	53.11
Soil	53.21
Tests	53.21
Wind	53.12
LOADS, PILES	53.24
LOADS, RAILINGS	51.14(3), 51.161, 62.28
LOADS, WIND	53.12
LOBBY:	
Definition	51.01(77)
Enclosure of, health care facilities	58.22
Theaters	55.15
LOCAL REGULATIONS.....	50.06
LOCKS ON DOORS	51.15(3), 54.06(3), 58.20
LODGING HOUSES	ch. ILHR 57
LOT LINE, Definition	51.01(78)
LOT LINES, Plot plan required	50.12(3)
LUMBER	53.61

M

MAINTENANCE:	
Assembly halls.....	55.50
Automatic fire sprinklers	51.23(6), 52.01(2)
CBRF's	61.24
Fire alarms	51.24(10)
Fire extinguishers.....	51.22(3)
Exits	52.21
General	52.22, 52.23
HVAC systems	64.52
Public schools	52.22 note
Smoke detectors	51.245(3)
Standpipes	51.21(8)
Toilet rooms.....	52.64
MAJOR APPARATUS, Definition	51.01(79)
MANSARDS (Wall construction behind).....	
.....	51.03(1), (2) (3)
[Also refer to decorative combustible materials	
.....	51.02(15)]

MANUFACTURED MULTI-FAMILY

DWELLING:

Approval	50.125
Definition	51.01(79a)
Local regulations	50.06(6)

MANUFACTURING, OCCUPANCY .. ch. ILHR 54

MASONRY CONSTRUCTION:

Aggregate	51.045, 53.312
Basement walls	53.322
Block	53.311
Brick	53.311
Cast stone	53.311
Cavity walls	53.321, 53.322
Cementitious materials	53.314
Ceramic	53.36
Ceramic veneer	53.36
Change in thickness.....	53.34
Chases	53.34
Chimney walls	53.321
Clay or shale units.....	53.311
Composite	53.322
Concrete units	53.311
Construction	53.33
Corbeling.....	53.34
Definition	51.01(80)
Design, empirical	53.322
Design, engineered	53.323
Details, construction.....	53.34
Erection, general	58.01
Fire resistance materials	51.043-51.045
Fire resistance ratings	51.043
Glass blocks	51.048
Grout	53.313
Gypsum, mortar.....	53.312
Gypsum units	53.311
Hollow	53.311
Jointing	53.322, 53.36
Lateral support	53.322
Materials.....	53.31
Mortar	53.312
Piers	53.322
Protected.....	51.03(5)
Protection against freezing	53.33
Reinforced, ties and anchors	53.316
Stone.....	53.311
Terra cotta	53.36
Tests	53.35
Types	53.321
Units	53.311
Unprotected	51.03(5)
Veneered walls.....	53.36
Wall thickness	53.322
Water	53.315
Working stresses.....	53.311, 53.312

MATERIALS, METHODS AND DEVICES,

Approval of	50.19
-------------------	-------

MEANS OF EGRESS (See EXIT)

Definition	51.01(80a)
------------------	------------

MECHANICAL VENTILATION

(See VENTILATION)

MENTAL HOSPITALS

Register, January, 1994, No. 457

INDEX

- MERCANTILE, Occupancy ch. ILHR 54
- MEZZANINE, MEZZANINE FLOOR:
 Definition 51.01(82)
 Number of stories 51.02(14)
- MINI-STORAGE BUILDINGS: 62.995
 Definition 51.01(82a)
- MINIMUM DESIGN LOADS 53.10, 53.11
- MOBILE TRAINING CLASSROOMS .. 56.40-56.46
- MONUMENTAL STAIRS 54.08, 55.09
- MORTAR 53.312
- MOTELS ch. ILHR 57
- MOTOR VEHICLE GARAGES ch. ILHR 59
- MUSEUMS ch. ILHR 56
- N
- NAILS 53.63
- NET AREA, Definition 51.01(83)
- NONBEARING PARTITIONS OR WALLS:
 Definition 51.01(84)
 Fire protective requirements 51.03
 Fire resistance ratings 51.03
 General 51.02
 Masonry 53.17, 53.322
- NONCOMBUSTIBLE CONSTRUCTION
 Definition 51.01(85)
- NURSING HOMES: ch. ILHR 58 subch. I
 Definition 51.01(86a)
- O
- OBSTRUCTION-PROHIBITED:
 Aisles 52.21
 Exits 51.15(2)
 Horizontal exit 51.19(2)
 Stairways 51.16(3)
- OCCUPANCY OR USE, Definition of 51.01(87)
- VARIANCE, PETITION FOR 50.25
- OCCUPANCY CHAPTERS:
 CHILD DAY CARE FACILITIES (including all public and private day care centers accommodating children, including all buildings, or parts of buildings, used as day care facilities) Chapter ILHR 60
- COMMUNITY-BASED RESIDENTIAL FACILITIES (CBRF) (including facilities providing care, treatment and services to 9 through 20 unrelated adults located in existing buildings and sheltered facilities for battered women) Chapter ILHR 61
- FACTORIES, OFFICE AND MERCANTILE BUILDINGS (including all factories and workshops, office buildings, telegraph and telephone offices, mercantile establishments where commodities are bought or sold, taverns, warehouses, railroad stations, exhibition buildings, and places where not more than 100 persons assemble for recreation, entertainment, worship, or dining purposes)..... Chapter ILHR 54
- HAZARDOUS OCCUPANCIES (including all garages [except private garages], filling stations and related buildings and structures, automobile tire or battery shops, and other occupancies where flammable or combustible liquids or other hazardous materials are manufactured, processed, stored, or otherwise handled) .. Chapter ILHR 59
- HEALTH CARE FACILITIES AND PLACES OF DETENTION (including hospitals, nursing home reformatories and lock-ups) ... Chapter ILHR 58
- RESIDENTIAL OCCUPANCIES (including all apartment buildings, garden apartments, row houses, town houses, condominiums, rooming houses, hotels, motels, dormitories, convents, monasteries, homes for the aged, community-based residential facilities, sheltered facilities for battered women, and other places of abode Chapter ILHR 57
- SCHOOLS AND OTHER PLACES OF INSTRUCTION (including all public and private schools, universities, colleges, academies, seminaries, libraries, museums and art galleries, including all buildings or parts of buildings used primarily for instructional purposes) Chapter ILHR 56
- SPECIALTY OCCUPANCIES (including open parking structures, radio and television transmitting and receiving antenna, tents, outdoor theaters, assembly seating facilities, greenhouses, pedestrian access structures connecting buildings) Chapter ILHR 62
- THEATERS AND ASSEMBLY HALLS (including all buildings, or parts of buildings, containing an assembly hall having a stage which may be equipped with curtains or permanent or movable scenery, or which is otherwise adaptable to the showing of plays, operas, motion pictures, or similar forms of entertainment; and all buildings, or parts of buildings other than theaters, which will accommodate more than 100 persons for entertainment, recreation, worship or dining purposes)..... Chapter ILHR 55
- OCCUPANCY SEPARATION 51.08
- OCCUPANT LOAD:
 Calculating capacities 54.06, 55.06, 56.07(2), 57.04, 58.12, 58.46, 59.16, 60.11
 Exit width 51.15(6)
- OCCUPIED, Definition 51.01(88)
- OIL STORAGE 64.23(5)
- OPENINGS:
 Combustion air 64.09
 Exterior walls 51.03
 Fire department access 52.02
 Motion picture projection booths 55.39
 Protected with fire doors or windows 51.047, 51.048
 Rated construction 51.045, 51.049
 Stairways or shafts 51.02(11), 51.03
- OPEN PARKING STRUCTURES ch. ILHR 62 subch. I

- OPEN SPACES, Definition 51.01(89)
- OPEN WEB STEEL JOIST 53.52
- ORIEL WINDOWS (Bay)..... 51.03
- ORPHANAGES ch. ILHR 57
- OUTDOOR OPENINGS, Definition 51.01(90)
- OUTDOOR THEATERS 62.52-62.62
- OUTLET (SUPPLY OPENING), Definition
..... 51.01(93)
- OUT-PATIENT SURGICAL FACILITIES:
Definition 51.01(93a)
HVAC systems 64.57
- OUTSIDE AIR, Definition 51.01(94)
- OUTSIDE AIR INTAKE, Definition 51.01(95)
- OUTSIDE STAIRS..... 51.16, 51.20, 54.03(1)
- OWNER:
Application for permit 50.12
Responsibility 50.11
- P
- PANEL WALL, Definition 51.01(96)
- PANIC HARDWARE 51.15(3)
- PARAPET WALL 51.02(12)
- PARITY, REST ROOM.... 55.32, 54.12, 52.50, 62.58
- PARKING GARAGE, OPEN DECK .. ch. ILHR 62
subch. I
- PARKING SPACES, for physically disabled
..... 52.04(3)
- PARTITION, Definition..... 51.01(97)
- PARTY WALL, Definition..... 51.01(98)
- PASSAGEWAYS 52.21, 54.07, 56.09, 57.09, 59.15,
60.22, 60.33, 61.12
- PEDESTRIAN ACCESS STRUCTURES 62.97
- PENALTIES AND VIOLATIONS 50.26
- PENTHOUSE: 51.03
Definition 51.01(99)
- PERMITS, BUILDING:
Agent municipalities 50.21
Plan approval 50.12
Footing and foundations 50.13
Local 50.06
To start construction 50.14
- PETROLEUM STORAGE (Refer to ch. ILHR 10)
- PEWS, Width 55.13
- PHYSICALLY DISABLED, General requirements ..
..... 52.04
- PIERS:
Definition 51.01(100)
Masonry 53.322
- PILASTER, Masonry:
- Definition 51.01(101)
General requirements 53.322
- PILES 53.24
- PIPE:
Duct 64.33
Smoke..... 64.49
Steam or hot water 64.23
- PIPING, HAZARDOUS, Definition 51.01(102)
- PLACE OF ABODE, Definition 51.01(102a)
- PLACE OF EMPLOYMENT, Definition
..... 51.01(102b)
- PLACES OF DETENTION:
..... ch. ILHR 58 subch. II
Class of construction 58.42
Exiting 58.47-58.58
Fire detection and suppression 58.62-58.65
Guard towers and observation stations 58.67
Isolation of hazards 58.61
Protection of openings 58.59-58.60
Sanitary facilities 58.66
Separation from other occupancies 51.08
- PLANS:
Examination and approval 50.12
Fee (Also refer to ch. ILHR 2) 50.20
Plot 50.12
Prepared outside Wisconsin 50.08
Required for permit to start 50.14
- PLASTICS, FOAM 51.06
- PLASTICS, LIGHT TRANSMITTING 51.065
- PLATFORMS:
Guardrails 51.162
Rescue platforms 54.03, 57.05
Stairway landings 51.16(5)
- PLENUM 64.41
- PLOT PLAN, Required 50.12(3)
- PLYWOOD 53.61
- POLE BUILDING 51.03(6)
- POLE FOUNDATIONS 53.28
- POLICE STATION, Occupancy .. ch. ILHR 54 or 58
subch. II
- PORCH, Definition 51.01(103)
- PORTLAND CEMENT, Masonry mortar 53.35
- POSTING:
Floor loads 54.18
Occupancy capacities 55.06
- POWER PLANT, Occupancy ch. ILHR 54
- PRESSURE TREATED WOOD:
Fire retardant, definition 51.01(52)
For decay prevention 53.63
- PRESTRESSED CONCRETE 53.40
- PRISON, Occupancy 58.40-58.69

INDEX

- PRIVATE GARAGE, Definition 59.01(5)
- PROJECTION BOOTH 55.39
- PROPERTY, ADJOINING, Protection of 53.26
- PROPERTY LINE, Definition 51.01(104)
- PROSCENIUM 55.21, 55.22, 55.23
- PROTECTION AGAINST DECAY AND
TERMITES 53.63
- PROTECTION OF VERTICAL SHAFTS.....
..... 51.02(11), 51.03, 54.08, 55.09, 56.10, 57.08,
58.23(1), 58.25, 58.61, 59.17, 60.34, 62.27
- PROTECTION OF WALL OPENINGS51.047,
51.048, 51.049
- PUBLIC BUILDING, Definition 51.01(104a)
- PUBLIC SEWERS, Connection with 52.62
- PUBLIC THOROUGHFARE
Definition 51.01(105)
- R**
- RADIATION AND CONVECTION EQUIPMENT
..... 64.21
- RADIO ANTENNA..... 62.35
- RAILING (See HANDRAILS)
- RAMPS:
Accessibility for physically disabled 52.04
Factories, office and mercantile buildings 54.03
General requirements 51.16
Open parking structures 62.26
Residential buildings..... 57.05
Schools and other places of instruction 56.06
Theaters and assembly halls 55.08
- RANGE HOODS, Ventilating 64.67
- RECREATION HALLS ch. ILHR 54 or 55
- RECYCLABLE MATERIAL, Definition
..... 51.01(105e)
- RECYCLING SPACE 52.24
- REDUCTIONS, Live loads 53.11
- REFORMATORIES ch. ILHR 58 subch. II
- REFRIGERATION 64.10
- REINFORCED CONCRETE 53.40
- REINFORCED GYPSUM CONCRETE 53.41
- REINFORCED MASONRY 53.323
- REINFORCEMENT BARS..... 53.316, 53.40
- RELOCATABLE CLASSROOMS 56.30
- REMODELING AND ALTERATIONS:
Accessibility 52.04
Code application..... 50.03
Design 50.07
Definition 51.01(105a)
Plan review 50.12
- REPAIR:
Assembly halls..... 55.50
CBRF's 61.24
Exits 52.21
General 52.22, 52.23
Repair garage 59.10
Smoke detectors 51.245(3)
Toilet rooms..... 52.64
- REQUIRED, Definition 51.01(106)
- REQUIRED EXIT CORRIDOR
Definition 51.01(106a)
- RESCUE PLATFORMS..... 54.03, 57.05
- RESIDENCES, One- and two-family exempt .. 50.04
(Also refer to Uniform Dwelling Code)
- RESIDENTIAL OCCUPANCIES: ch. ILHR 57
Allowable height and area..... 57.02
Construction 57.01
Fire alarms 57.17
Fire detection 57.16, 57.165
Fire protection 57.016, 57.15
Habitable rooms below grade 57.11
Isolation of hazards..... 57.14
Number, location, capacity and type of exit .. 57.03-
57.10
Rowhouse 57.19
Sanitary facilities 57.12
Windows 57.13
- REST ROOMS (See SANITARY FACILITIES)
- RESTAURANTS..... ch. ILHR 54 or 55
- RESTRAINED SUPPORT, Definition ... 51.01(107)
- RETAINING WALL: 53.27, 53.34
Definition 51.01(108)
- RETROACTIVITY 50.02, 51.047(6), 56.03(2),
57.16, 57.165, 61.14, 61.26, 63.001
- RETURN (or EXHAUST OPENING)
Definition 51.01(109)
- REVOLVING DOORS 51.15
- RISERS, For stairways 51.16
- ROADWAY, Definition 51.01(110)
- ROOF, ROOF CONSTRUCTION:
Access to attic or roof..... 51.02, 51.20, 57.19
Anchorage 53.12
Coverings 51.02, 51.05
Definition 51.01(111)
Drainage 53.11
Fire-resistance ratings 51.043
Fire-resistive construction 51.03
Heavy timber 51.03(4)
Joists (See JOISTS)
Live loads 53.11
Mansard roofs 51.03
Materials, roofing..... 51.02, 51.05
Nailing schedule 53.63
Over stages 55.24
Parapets 51.02(12), 53.34
Scuttles 51.02(18)

- Sheathing 53.61
 Skylights 51.065
 Wind loads 53.12
 Wood frame construction 53.60-53.63
 ROOF COVERING, Definition 51.01(112)
 ROOF COVERINGS 51.02, 51.05
 ROOM, Definition 51.01(114)
 ROOM, SPACE HEATERS 64.22
 ROOMING HOUSE..... ch. ILHR 57
 ROW HOUSE: ch. ILHR 57
 Definition 51.01(114a)
 General 57.19
 RUBBLE MASONRY..... 53.322
- S
- SAND:
 Bearing soil capacity..... 53.21
 Concrete 53.40
 Mortar 53.12
 SANITARIUM, Occupancy ch. ILHR 58 subch. I
 SANITARY FACILITIES:
 Assembly halls..... 55.32
 Assembly seating facilities 62.79
 CBRF's 61.17
 Day care centers 60.15
 Detention facilities 58.68
 Educational facilities 56.16
 Factory, office, mercantile 54.12
 For physically disabled 52.04(4), 52.04(6),
 52.04(8), 52.041, 52.042
 Health care facilities 52.041, 52.042, 58.32
 Garages, storage or repair 59.20
 General requirements 52.50, 52.52, 52.53, 52.54,
 52.55, 52.56, 52.57, 52.58, 52.59, 52.60, 52.61,
 52.63, 56.64
 Outdoor theaters 62.58
 Residential facilities 57.12
 Tents 62.48
 SCHOOLS..... ch. ILHR 56
 SCOPE OF CODE 50.02
 SCUTTLE 51.02(18), 57.19
 SEATS, SEATING:
 Definition 62.10
 Grandstands, bleachers, places of assembly ... 62.76
 Physically disabled 52.04
 Schools, auditoriums, gymnasiums 56.13, 56.14
 Theaters, assembly halls 55.13
 SEMINARIES chs. ILHR 56/57
 SEPARATION:
 Class of construction..... 51.02(20)
 Occupancies 51.08
 SEPTIC TOILETS..... 52.62
 SERVICE STATIONS..... ch. ILHR 59
 SETBACK, Definition 51.01(115)
- SHAFT:
 Definition 51.01(116)
 Rated 51.02(11), 51.03
 SHALL, Definition 51.01 (117)
 SHORING, Adjoining foundations 53.26
 SHUTTERS, FIRE 51.047, 64.42
 SIDEWALKS, HEATED 63.11
 SIGNS:
 Barrier-free..... 52.04(3), 52.04(10)
 Capacity of occupancy 54.18, 55.06(4)
 Clearance limitation 62.25
 Definition 51.01(118)
 Exit signs 51.15(5)
 Floor loads 54.17
 Toilet rooms 52.52
 SIMPLE SUPPORT, Definition 51.01(119)
 SINKS (See LAVATORIES)
 SKATING RINKS (Indoor) ch. ILHR 54 or 55
 SKYLIGHTS 51.065
 SKYWALKS 62.97
 SLEEPING AREA:
 Definition 51.01(119a)
 CBRF's 61.14
 Residential occupancies 57.16
 SMOKE BARRIER:
 Detention facilities 58.64
 Health care facilities 58.27
 SMOKE CONTROL SYSTEM - ATRIUMS.....
 52.07(3), 52.07(12)
 SMOKE DETECTION:
 CBRF's 57.165, 61.14
 Educational facilities 56.03
 Day care centers 60.25
 General requirements 51.245
 Residential facilities 57.16
 SMOKE DETECTOR, Definition 51.01(119b)
 SMOKE PIPES, SMOKESTACKS AND
 BREECHING 64.45, 64.46, 64.47, 64.48, 64.49,
 64.50
 SMOKEPROOF STAIR ENCLOSURE:
 Detention facilities 58.51
 Health care facilities 58.09
 General requirements 51.17
 SOIL 53.20
 SOLID FUEL EQUIPMENT:
 Definition 51.01(119c)
 Health care facilities 58.24
 General requirements 64.20, 64.21, 64.22
 SPACE HEATERS 64.22(5)
 Definition 51.01(120)
 SPANDREL, Definition 51.01(120a)
 SPECIALTY EVENT CENTER 51.01(119g)

INDEX

- SPECIALTY OCCUPANCIES:** ch. ILHR 62
 Assembly seating facilities ... ch. ILHR 62 subch. V
 Greenhouses ch. ILHR 62 subch. VI
 Open parking structures ch. ILHR 62 subch. I
 Outdoor theaters ch. ILHR 62 subch. IV
 Pedestrian access structures.... ch. ILHR 62 subch. VII
 Television and radio antenna... ch. ILHR 62 subch. II
 Tents ch. ILHR 62 subch. III
- SPECIFICATIONS, Plan review** .. 50.12(3), 50.12(4)
- SPEED OF ACCESS (see PARITY)**
- SPIRAL STAIRS** 51.16, 54.03, 57.07
- SPRINKLERS:**
 Definition 51.01(7a)
 Health care facilities 58.24, 58.25, 58.29
 High rise buildings 52.01
 Housing for the elderly 57.016(2)
 Low rise buildings 52.011, 52.012, 52.013
 School basements 56.03
 Specifications 51.23
- STABILITY** 53.16
- STADIUMS** ch. ILHR 62 subch. V
- STAIRS AND STAIRWAYS:**
 Curved 51.16(6)
 Design features 51.16
 Enclosure 51.02(11), 51.03, 54.08, 55.09, 57.08, 58.06, 58.50, 59.17, 60.23, 60.34, 61.12, 62.27
 Exterior 51.16, 51.20, 54.03
 Fire escape 51.20
 Interior enclosed stairs 51.18
 Identification 51.165
 Spiral 51.16(7), 54.03, 57.07
 Smokeproof tower 51.17, 58.09, 58.51
- STANDARDS AND SPECIFICATIONS ADOPTED** 51.25
- STANDPIPES:**
 Assembly halls 55.33(2)
 Detention facilities 58.63(2)
 Educational facilities 56.20(2)
 Factory, office, mercantile 54.15(2)
 Health care facilities 58.28
 Garages, storage or repair 59.23
 General requirements 51.21
 Open parking structures 62.30
 Outdoor theaters 62.58
 Residential facilities 57.15(2)
- STEAM PIPES AND HOT WATER PIPES** ... 64.23
- STEEL CONSTRUCTION:**
 Aluminum 53.54
 Caissons 53.24
 Certification and identification 53.50
 Fabrication 53.50
 Fire-resistance ratings 51.043
 Joists, open web construction 53.52
 Marking 53.50
 Metal frame protected construction 51.03(3)
 Metal frame unprotected construction 51.03(6)
- Piles 53.24
 Reinforcing 53.316
 Stainless steel 53.55
 Structural steel 53.50
 Welding 53.53
- STEPS, Definition** 51.01(120b)
- STONE MASONRY** 53.311, 53.322
- STORAGE OF FLAMMABLES**
 (Refer to ch. ILHR 10)
- STORAGE GARAGE** ch. ILHR 59
- STORIES, NUMBER OF:**
 Definition 51.01(121)
 Determination 51.02(14)
- STORY, Definition** 51.01(122)
- STOVES (See RANGES)**
- STREET:**
 Definition 51.01(124)
 Location 54.01, 55.04, 57.02, 59.12
- STRUCTURAL REQUIREMENTS**.... ch. ILHR 53
- STRUCTURE, Definition** 51.01(125)
- SUPERVISION** 50.10
- SUPPORT:**
 Restrained, definition 51.01(107)
 Simple, Definition 51.01(119)
- T**
- TEMPERATURE, DESIGN** 64.04, 64.05
- TEMPERED AIR, Definition** 51.01(128)
- TEMPERED OUTSIDE AIR**
 Definition 51.01(129)
- TEMPORARY BUILDINGS OR STRUCTURES** 50.04
- TENTS** ch. ILHR 62 subch. III
- TERRACES, Definition** 51.01(130)
- TESTING LABORATORIES** 51.044
- TESTS:**
 Diversified, foam plastic 51.01(3a)
 Fire alarm 51.24(5)
 Fire doors 51.047(1)
 Fire windows 51.048(1)
 Fire-resistance ratings of assemblies 51.043
 Heating equipment 64.20(1)
- THEATERS AND ASSEMBLY HALLS** ... ch. ILHR 55
- THERMAL BARRIER** 51.06(3)
- TIMBER:**
 Glued-laminated structural 53.61
 Type of construction 51.03(4)
- TIRE SHOPS** ch. ILHR 59
- TOE BOARDS** 54.105

TOILET COMPARTMENTS:
 Accessibility for physically disabled 52.04(8)
 Floors 52.57
 Sizes 52.59(2), 52.59(3)
 Walls and ceilings 52.58

TOILET ROOMS ... 51.01(130g), 52.64, 58.66, 57.12

TOILETS:
 Chemical 52.62
 Outdoor 52.63

TOWERS ch. ILHR 62 subch. II

TOWNHOUSES, Definition 51.01(130a)

TRASH COLLECTION ROOM:
 Individual rooms 52.012
 Recyclable materials, collection, separation and storage 52.24

TREADS, STAIRS 51.16

TREATED WOOD (Fire Retardant)
 Definition 51.01(131)

TRIM 51.02(15), 51.07

TRUSSES, WOOD 53.62

TYPES OF CONSTRUCTION 51.03

U

UNDERPINNING 53.26

UNIT HEATERS 64.21
 Definition 51.01(133)

URINALS 52.59(1), 52.60(2)

V

VARIANCE 50.25

VENEERED WALL:
 Anchorage masonry units 53.36
 Definition 51.01(134)

VENTILATION:
 Air-cleansing devices 64.16
 Air movement and distribution 64.15
 Automatic controls 64.17
 Combustion air 64.09
 Contamination 64.18
 Definition 51.01(136), 64.12(6)
 Exhaust ventilation systems 64.08
 Gravity exhaust ventilation, definition .. 51.01(137)
 Location of intakes 64.19
 Mechanical ventilation, definition 51.01(138)
 Mechanical ventilation systems 64.06
 Natural ventilation systems 64.07
 Occupancy requirements 64.05(2)
 Tempered air 64.13
 Tempered outside air 64.14

VENTILATOR, GRAVITY SIPHON TYPE
 64.08(5)

VENTS:
 Chimney and connectors 64.50
 Factory-built 64.48
 Gas 64.49

General requirements 64.45
 Masonry 64.46
 Metal 64.47

VERTICAL EXIT, Definition 51.01(139)

VERTICAL OPENINGS:
 Atriums 52.07
 Protection 51.02(11)
 Ratings - types of construction 51.03

VESTIBULE OPENINGS, Ventilation 64.07(2)

VIOLATIONS AND PENALTIES 50.26

VOLUME, Definition 51.01(139a)

W

WALLS AND PARTITIONS:
 Anchorage (See ANCHORAGE, ANCHORS)
 Assemblies, fire-resistance ... 51.042, 51.043, 51.045
 Exterior 51.02(4), 51.03
 Fire division 51.02(13)
 Foundation 53.322
 Glass block 51.048
 Masonry (See MASONRY CONSTRUCTION)
 Openings, fire protections ... 51.047, 51.048, 51.049
 Parapets 51.02(12)

WAREHOUSES: ch. ILHR 54
 Definition 51.01(153a)
 Freezer warehouses 51.06(6), 54.01(2)
 Mini-storage buildings 62.995

WASTE OIL BURNING EQUIPMENT 64.21

WATER CLOSETS:
 Accessibility for physically disabled 52.04(4),
 52.04(6), 52.04(8)
 Enclosure 52.59
 General requirements 52.60(1)

WELDER, Certification 53.53

WELDING 53.53

WIDTH, Aggregate exit 51.15(6)

WIND LOADS DESIGN 53.12

WINDOWS:
 Fire 51.048
 Natural light 57.13, 58.03, 58.45, 60.13, 61.15
 Ventilation 57.13, 58.03, 58.45, 61.15, 64.07

WINDOWLESS FLOOR LEVELS 52.012, 52.02

WIRED GLASS:
 Fire-resistive doors and windows 51.047, 51.048

WIRING, ELECTRICAL:
 CBRF's 61.25
 General Requirements 52.20
 (See also Wis. Electrical Code ch. ILHR 16)

WOOD BLOCKING IN NONCOMBUSTIBLE ASSEMBLIES 51.02(23)

WOOD BURNING STOVES:
 Definition 51.01(119c)
 Health care facilities 58.24
 General requirements 64.21, 64.22

INDEX

WOOD CONSTRUCTION:

Beams..... 53.60, 53.61, 53.62, 53.63
Columns 53.60, 53.61, 53.62, 53.63
Design 53.60
Erection 53.60
Fire-resistance ratings 51.043
Fire retardant-treated, definition 51.01(52)
Foundations 53.64

Frame..... 51.03(7), 51.03(8)
Plywood..... 53.60
Trim 51.02(15)
Trusses..... 53.62

Y

YARD, Definition 51.01(154)